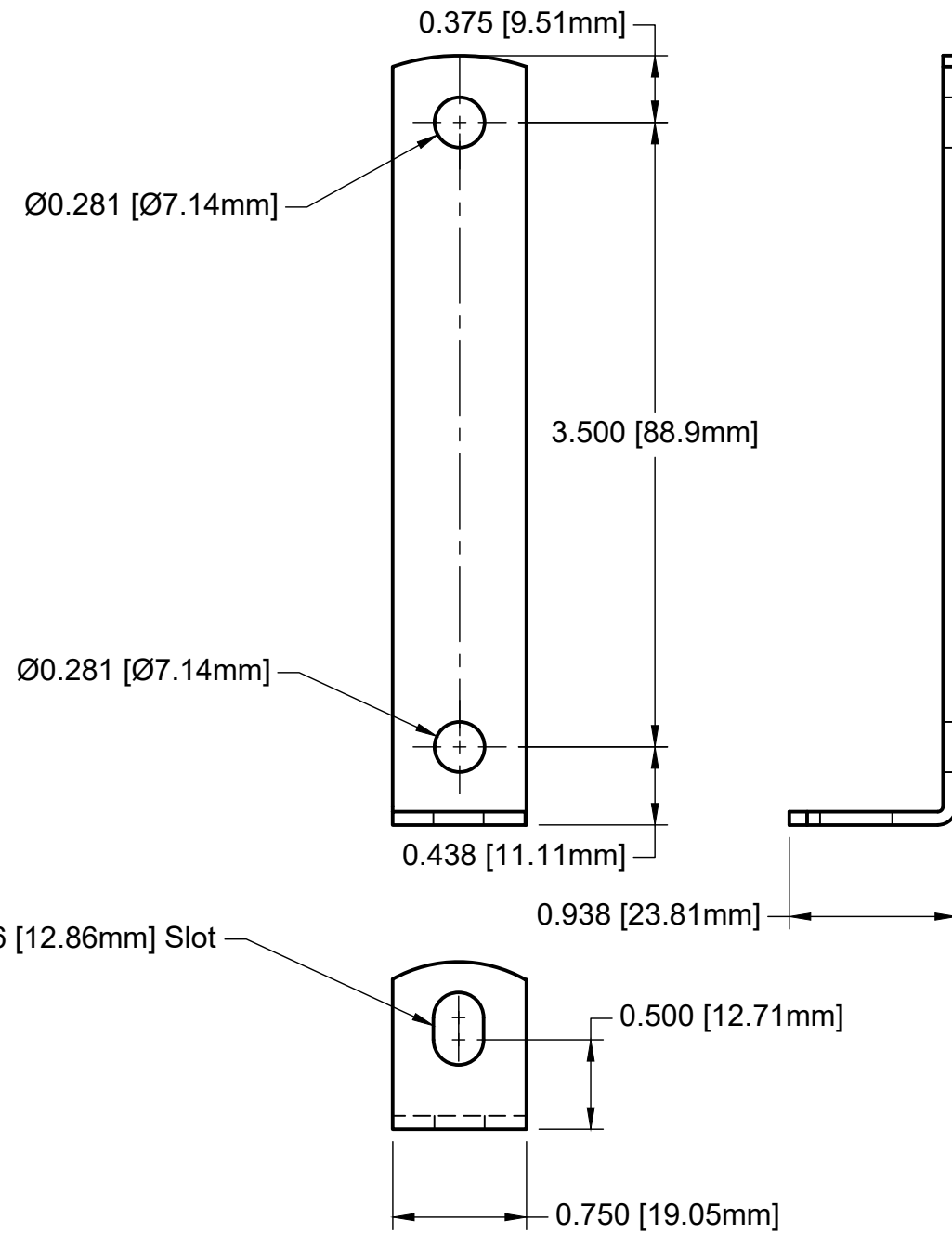


SPECIFICATIONS	
Type	Bracket
Core Size	EI175 (1.75)
Material	14 ga. Cold Rolled Steel
Orientation	Horizontal
Coating	Zinc plated
Compliance	RoHS & REACH



DIMENSIONS ARE IN INCHES [MILLIMETERS]. X.XXX = ±0.010 X.XX = ±0.03 ANGLES = ±0.05 UNLESS OTHERWISE SPECIFIED		EDCOR Electronics Corporation		7130 National Parks Highway Carlsbad, NM 88220 U.S.A edcorusa.com	
DRAWING BY Brian Weston		Date 05/17/2023		TITLE TMB-475 (BR175-475-0H)	
CHECKED BY Brian Weston		Date 05/17/2023		TITLE TMB-475	
APPROVED BY Brian Weston		Date 05/17/2023		SIZE B	CAGE CODE: 334U2
				DRAWING NO. 20000-BR175-475-0H	REV
SCALE: 1:1			© 2023 EDCOR Electronics Corporation		SHEET: 1 of 1