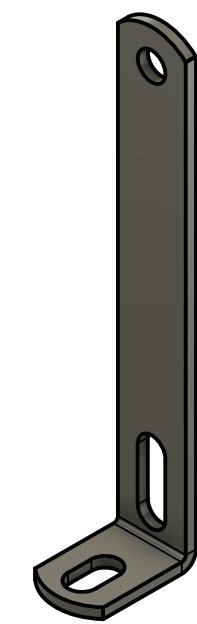
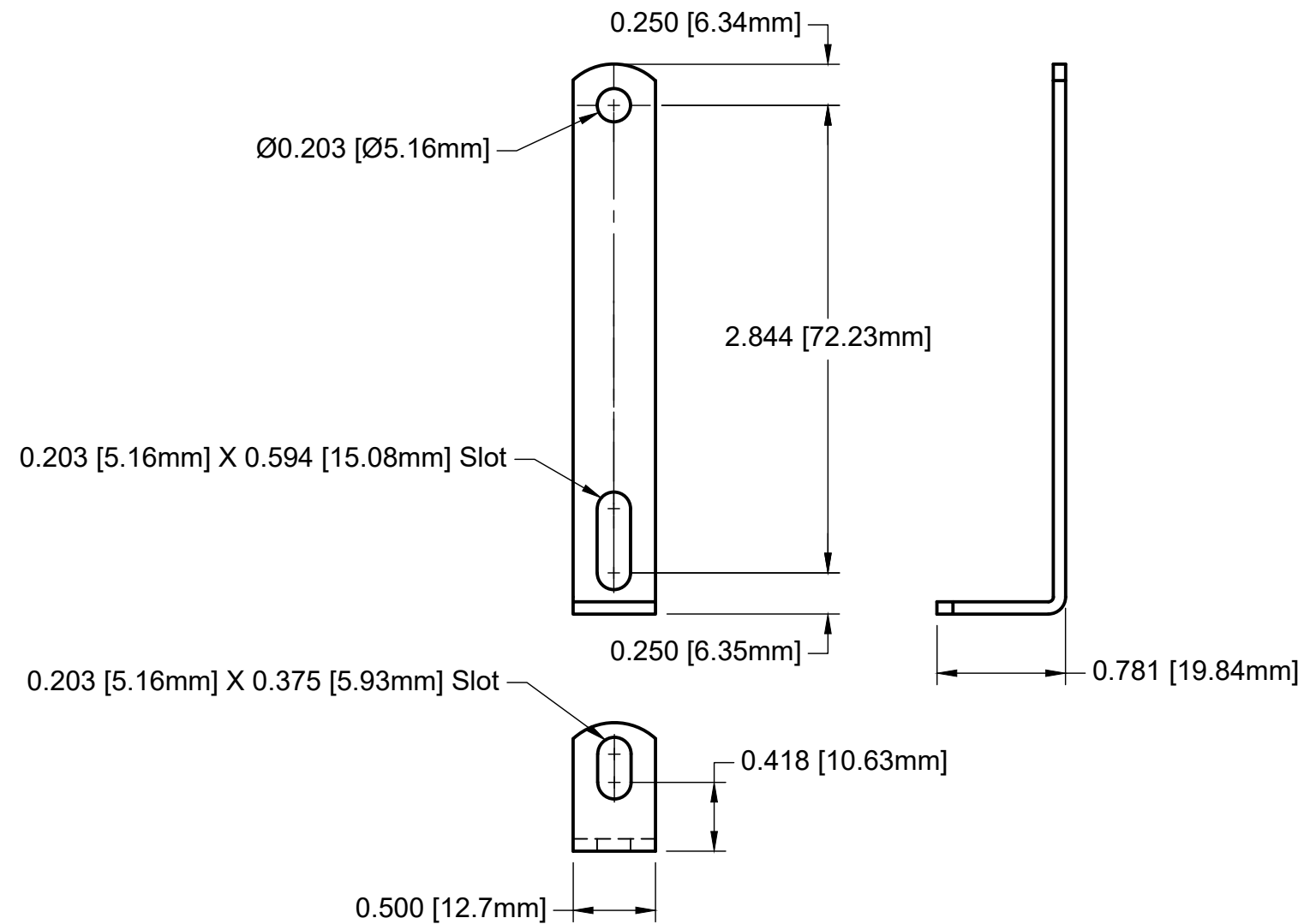


SPECIFICATIONS	
Type	Bracket
Core Size	E1138 (1.375)
Material	14 ga. Cold Rolled Steel
Orientation	Horizontal
Coating	Zinc plated
Compliance	RoHS & REACH



DIMENSIONS ARE IN INCHES [MILLIMETERS]. X.XXX = ±0.010 X.XX = ±0.03 ANGLES = ±0.05 UNLESS OTHERWISE SPECIFIED		EDCOR Electronics Corporation		7130 National Parks Highway Carlsbad, NM 88220 U.S.A edcorusa.com	
DRAWING BY Brian Weston		Date 5/11/2023		TITLE 1.375" (1-3/8) Horizontal Standard Bracket TMB-107, B113H0	
CHECKED BY Brian Weston		Date 5/11/2023		SIZE B	CAGE CODE:
APPROVED BY Brian Weston		Date 5/11/2023		DRAWING NO. 20000-BR138-00-0H	
SCALE: 1:1		© 2023 EDCOR Electronics Corporation		SHEET: 1 of 1	