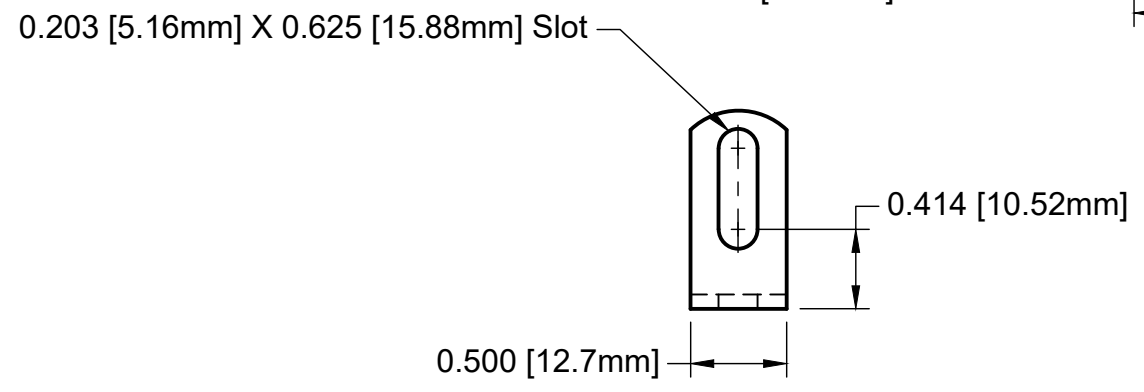
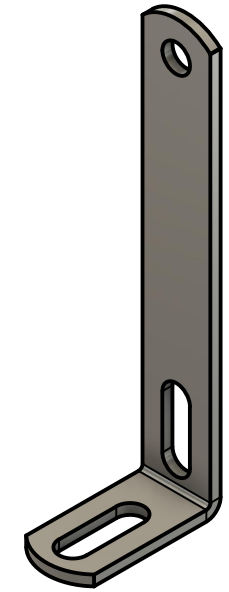
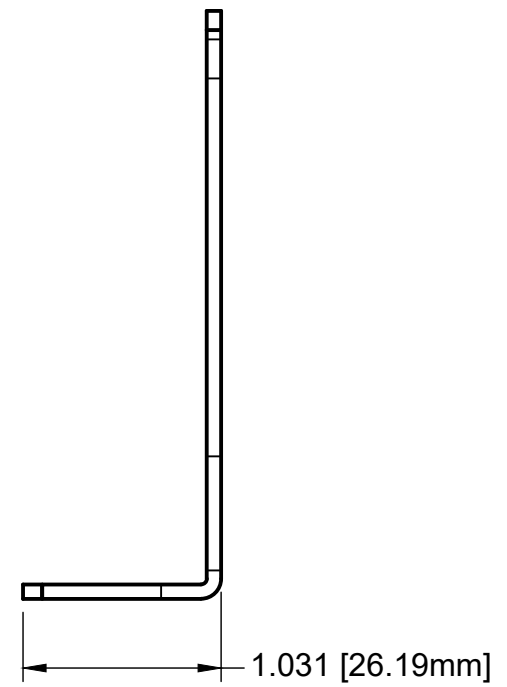
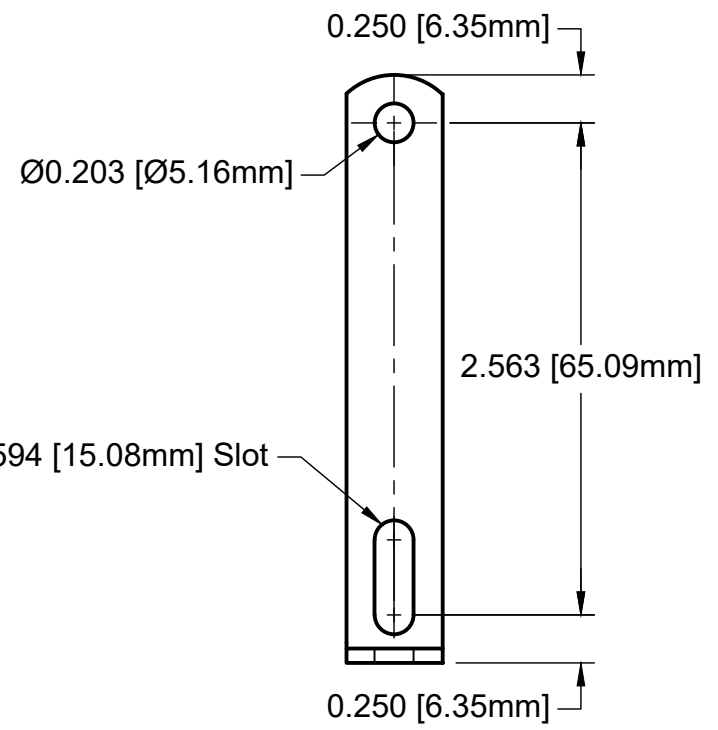


SPECIFICATIONS	
Type	Bracket
Core Size	EI125 (1.25)
Material	14 ga. Cold Rolled Steel
Orientation	Horizontal
Coating	Zinc plated
Compliance	RoHS & REACH



DIMENSIONS ARE IN INCHES [MILLIMETERS]. X.XXX = ±0.010 X.XX = ±0.03 ANGLES = ±0.05 UNLESS OTHERWISE SPECIFIED		<b>EDCOR</b> Electronics Corporation		7130 National Parks Highway Carlsbad, NM 88220 U.S.A <a href="http://edcorusa.com">edcorusa.com</a>	
DRAWING BY <b>Brian Weston</b>		Date <b>5/11/2023</b>		TITLE <b>1.25" (1-1/4) Horizontal Long Foot Bracket</b> <b>TMB-105, B112H0</b>	
CHECKED BY <b>Brian Weston</b>		Date <b>5/11/2023</b>		SIZE <b>B</b>	CAGE CODE: <b>334U2</b>
APPROVED BY <b>Brian Weston</b>		Date <b>5/11/2023</b>		DRAWING NO. <b>20000-BR125-LL-0H</b>	
		SCALE: 1:1		© 2023 EDCOR Electronics Corporation	
				SHEET: 1 of 1	