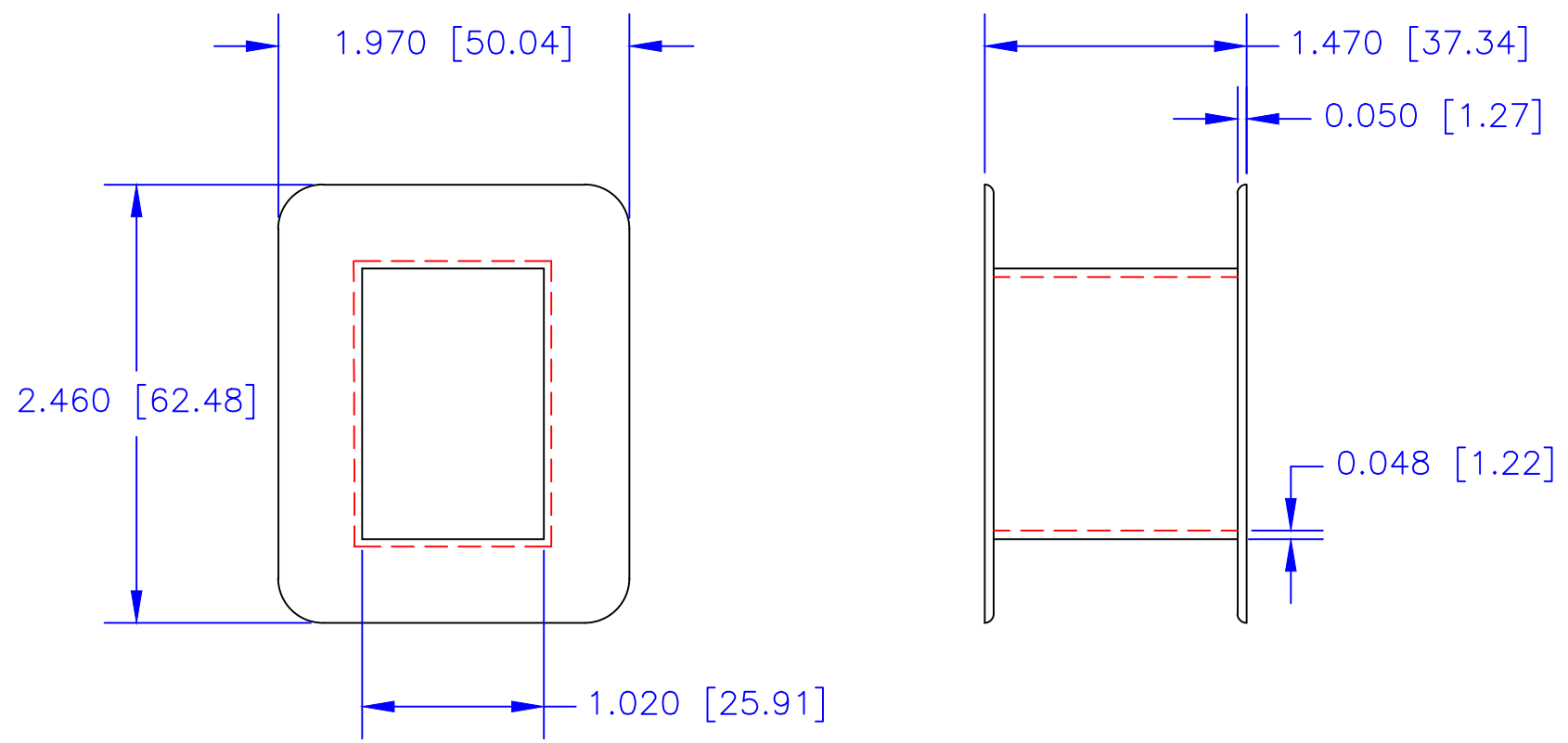


REVISIONS				
ZONE	REV	DESCRIPTION	DATE	APPROVED



- **NOTES: UNLESS OTHERWISE SPECIFIED!**
1. All material is UL listed.
 2. All material are to be RoHS compliant.
 3. Material: Nylon 6/6 30% glass filled, Class B, Flammability 94HB UL E184262.

DIMENSIONS ARE IN INCHES (MILLIMETERS). X.XXX = ±0.010 X.XX = ±0.03 ANGLES = ±0.05 UNLESS OTHERWISE SPECIFIED		EDCOR Electronics 7130 National Parks Highway, Carlsbad, NM 88220 Voice: (575) 887-6790 www.edcorusa.com		
DRAWING BY Brian Weston		Date 9/2013		
CHECKED BY Brian Weston		Date 9/2013		
APPROVED BY Larry Weston		Date 9/2013		
SIZE C	FSCM NO.	DWG NO. 20000-B100-150-00	REV	
SCALE: 1:1		©2015 EDCOR Electronics	SHEET: 1 of 1	