

4

3

2

1

D

D

C

C

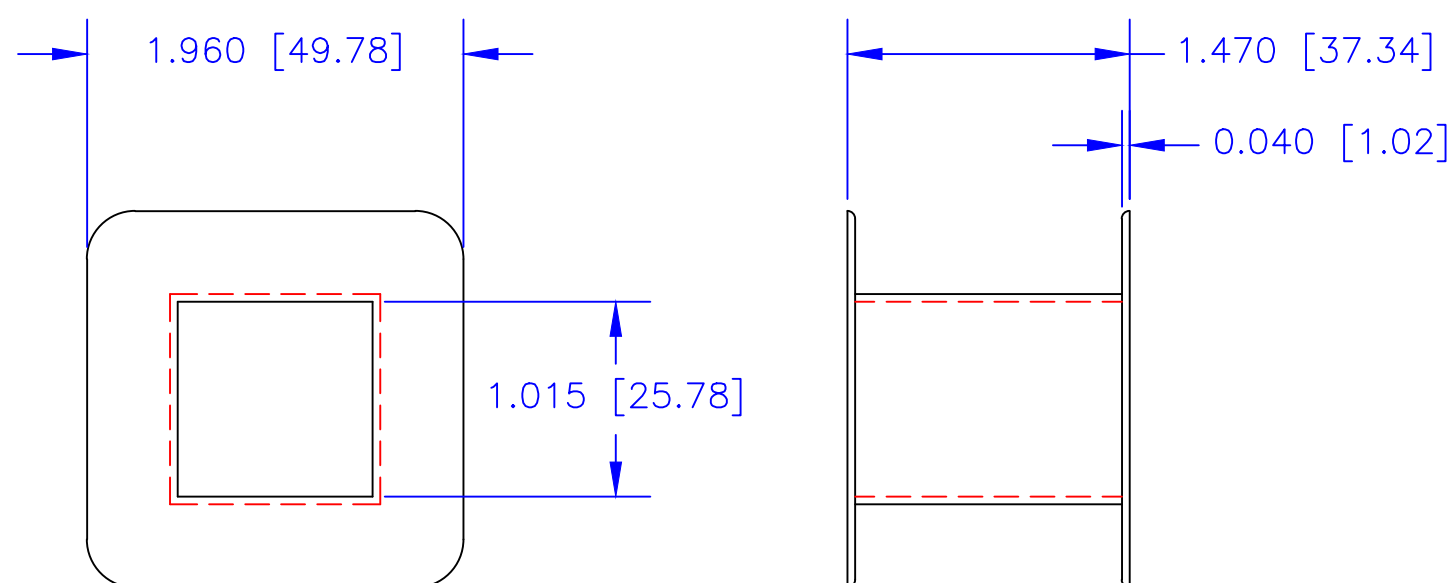
B

B

A

A

REVISIONS				
ZONE	REV	DESCRIPTION	DATE	APPROVED



**\*\*NOTES: UNLESS OTHERWISE SPECIFIED!**

1. All material is UL listed.
2. All material are to be RoHS compliant.
3. Material: Nylon 6/6 30% glass filled, Class B, Flammability 94HB UL E184262.

DIMENSIONS ARE IN INCHES [MILLIMETERS]. X.XXX = ±0.010 X.XX = ±0.03 ANGLES = ±0.05 UNLESS OTHERWISE SPECIFIED		<b>EDCOR Electronics</b> 7130 National Parks Highway, Carlsbad, NM 88220 Voice: (575) 887-6790 <a href="http://www.edcorusa.com">www.edcorusa.com</a>		
DRAWING BY		E1100 x 1" Bobbin		
Brian Weston				
Date		9/2013		
CHECKED BY	Date	SIZE	FSCM NO.	DWG NO.
Brian Weston	9/2013	C		20000-B100-100-00
APPROVED BY	Date	SCALE: 1:1	©2015 EDCOR Electronics	SHEET: 1 of 1
Larry Weston	9/2013			