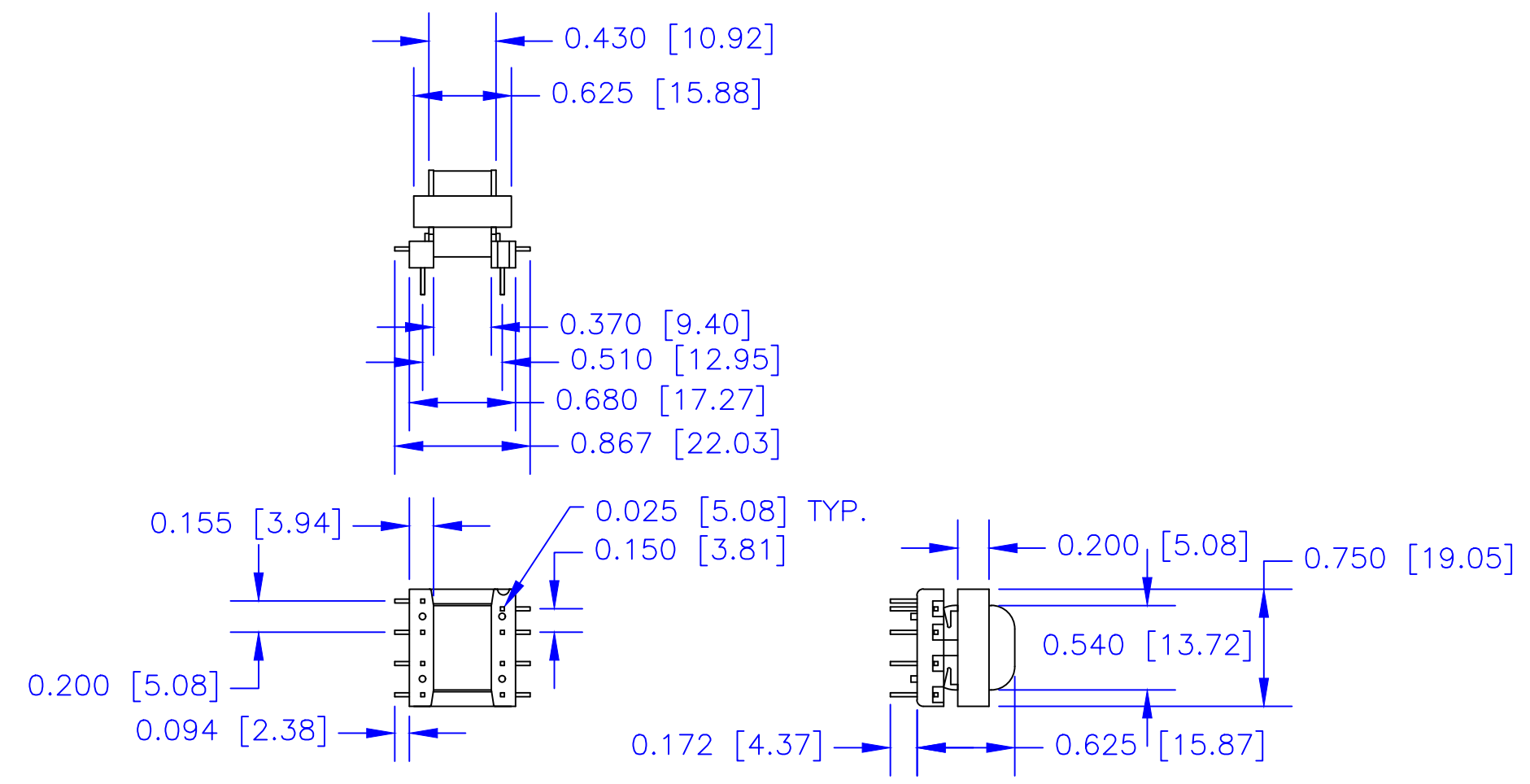


REVISIONS				
ZONE	REV	DESCRIPTION	DATE	APPROVED
B-2	A	Corrected Pin distance.	2/2014	Brian Weston



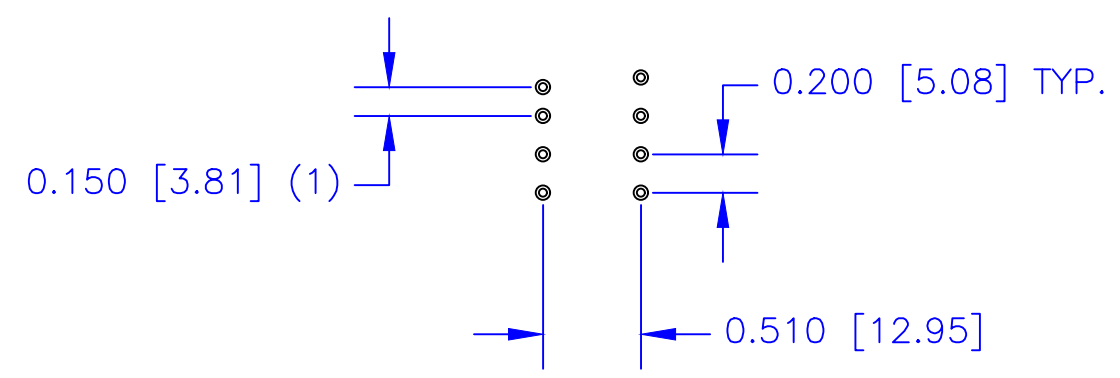
### PCB MOUNTING SPECIFICATIONS

- PCB NOTES:**
- PIN 1 IS OFFSET FOR KEYING.
  - PAD SHOULD BE AT LEAST 75 MIL. DIA.
  - DRILL TROUGH HOLES SHOULD BE AT LEAST 40 MIL. DIA. AFTER 2 OZ. COPPER PLATED THROUGH HOLE.

**PIN ORIENTATION  
(COMPONENT LAYER)**



**FOOTPRINT  
(COMPONENT LAYER)**



**\*\*NOTES: UNLESS OTHERWISE SPECIFIED!**

- All material is UL listed.
- All material are to be RoHS compliant.
- Bobbin: Nylon 6/6 30% glass filled, Class B, Flammability 94HB UL E184262.
- Magnet Wire: Class B, UL E32638, Gauge depending on the transformer design specifications requirement.
- Finish Tape: Polyester film tape, Class 130°, dielectric strength 5000 volts, UL E17385, guide OANZ2.
- Core Material: Depending on the transformer design specifications requirement
- Termination: 8 pin PC.
- Mounting: PCB mounted.
- Finish: Styrenated alkyd electrical varnish, air cured, UL E63933.

DIMENSIONS ARE IN INCHES [MILLIMETERS]. X.XXX = ±0.010 X.XX = ±0.03 ANGLES = ±0.05 UNLESS OTHERWISE SPECIFIED		<b>EDCOR Electronics</b> 7130 National Parks Highway, Carlsbad, NM 88220 Voice: (575) 887-6790 <a href="http://www.edcorusa.com">www.edcorusa.com</a>		
DRAWING BY <b>Brian Weston</b>		Date <b>8/2006</b>		SIZE <b>C</b>
CHECKED BY <b>Brian Weston</b>		Date <b>3/2014</b>		FSCM NO. <b>15000-EI187-187-P08</b>
APPROVED BY <b>Larry Weston</b>		Date <b>3/2014</b>		REV <b>A</b>
SCALE: 1:1		©2015 EDCOR Electronics		SHEET: 1 of 1