

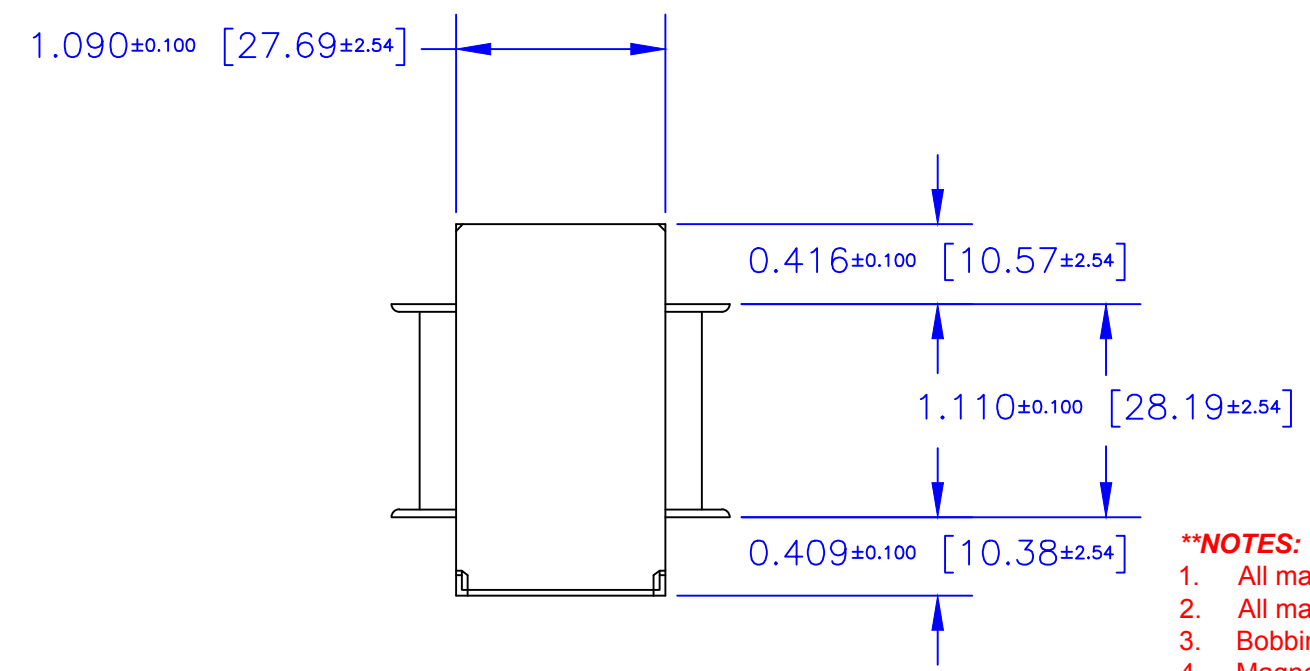
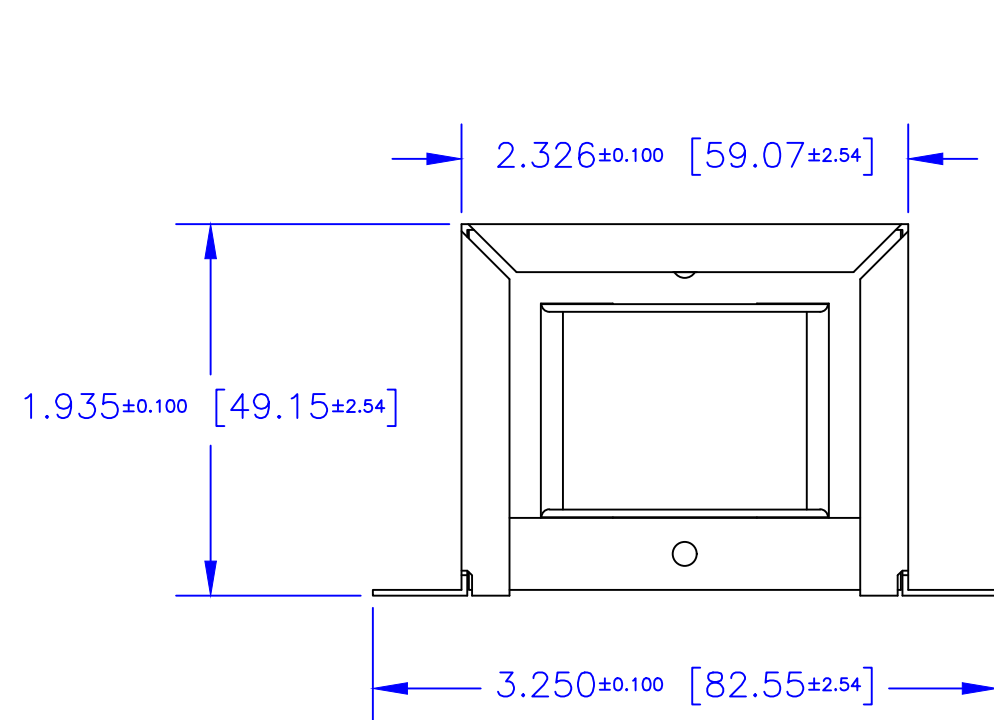
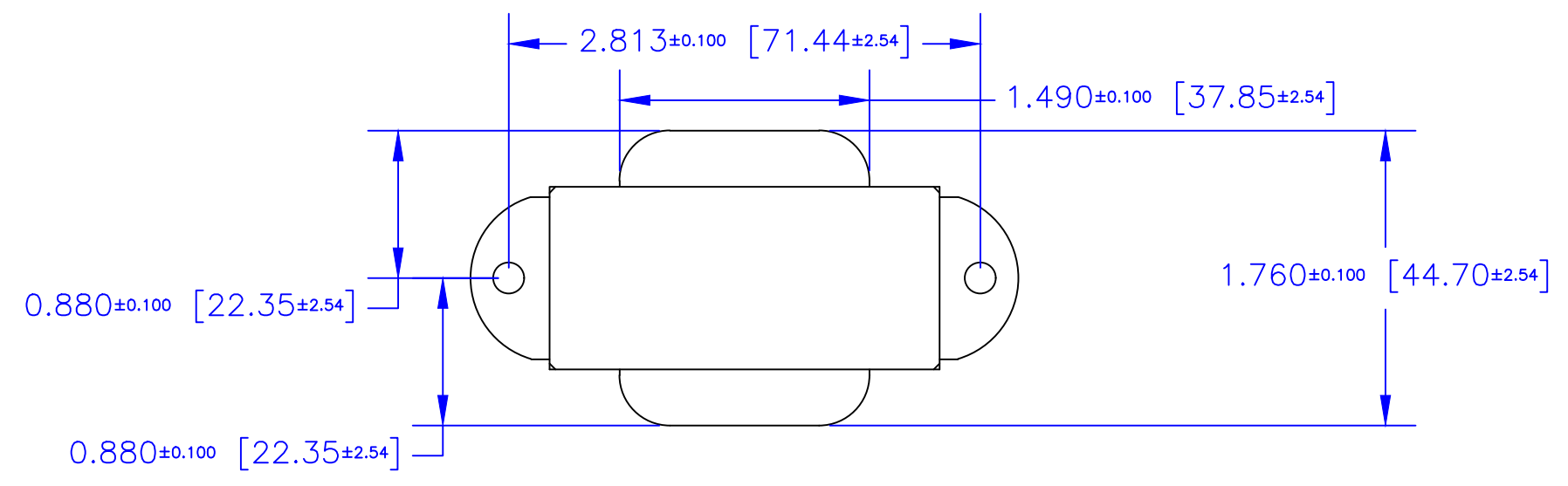
4

3

2

1

| REVISIONS | | | | |
|-----------|-----|-------------|------|----------|
| ZONE | REV | DESCRIPTION | DATE | APPROVED |
| | | | | |



- **NOTES: UNLESS OTHERWISE SPECIFIED!**
- All material is UL listed.
 - All material are to be RoHS compliant.
 - Bobbin: Nylon 6/6 30% glass filled, Class B, Flammability 94HB UL E184262.
 - Magnet Wire: Class B, UL E32638, Gauge depending on the transformer design specifications requirement.
 - Finish Tape: Polyester film tape, Class 130°, dielectric strength 5000 volts, UL E17385, guide OANZ2.
 - Core Material: Depending on the transformer design specifications requirement.
 - Termination: Depending on the transformer design specifications requirement.
 - Mounting: Zinc plated steel horizontal channel/frame.
 - Finish: Styrenated alkyd electrical varnish, air cured, UL E63933.

| | | | | |
|---|----------|--|---------------|--|
| DIMENSIONS ARE IN INCHES (MILLIMETERS). X.XXX = ±0.010 X.XX = ±0.03 ANGLES = ±0.05 UNLESS OTHERWISE SPECIFIED | | EDCOR Electronics 7130 National Parks Highway, Carlsbad, NM 88220 Voice: (575) 887-6790 www.edcorusa.com | | |
| DRAWING BY Brian Weston | | Date 4/2003 | | |
| CHECKED BY Brian Weston | | Date 4/2003 | | |
| APPROVED BY Larry Weston | | Date 4/2003 | | |
| SIZE | FSCM NO. | DWG NO. | REV | |
| C | | 15000-EI075-100-01 | | |
| SCALE: 1:1 | | ©2015 EDCOR Electronics | SHEET: 1 of 1 | |

4

3

2

1