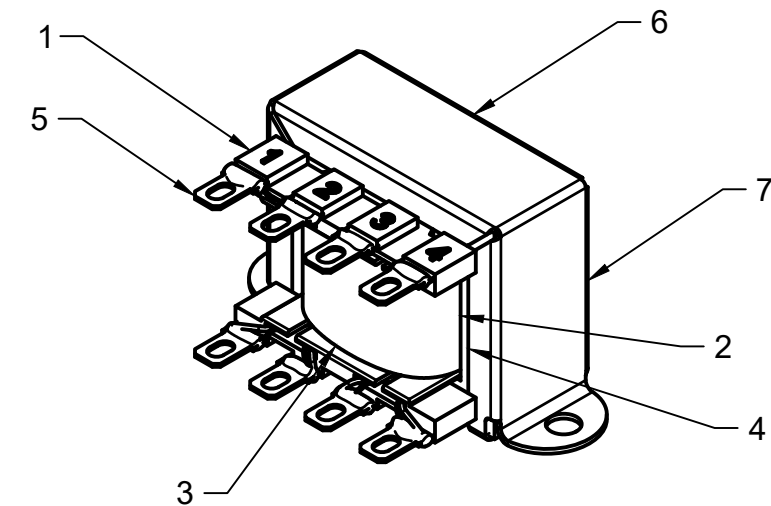
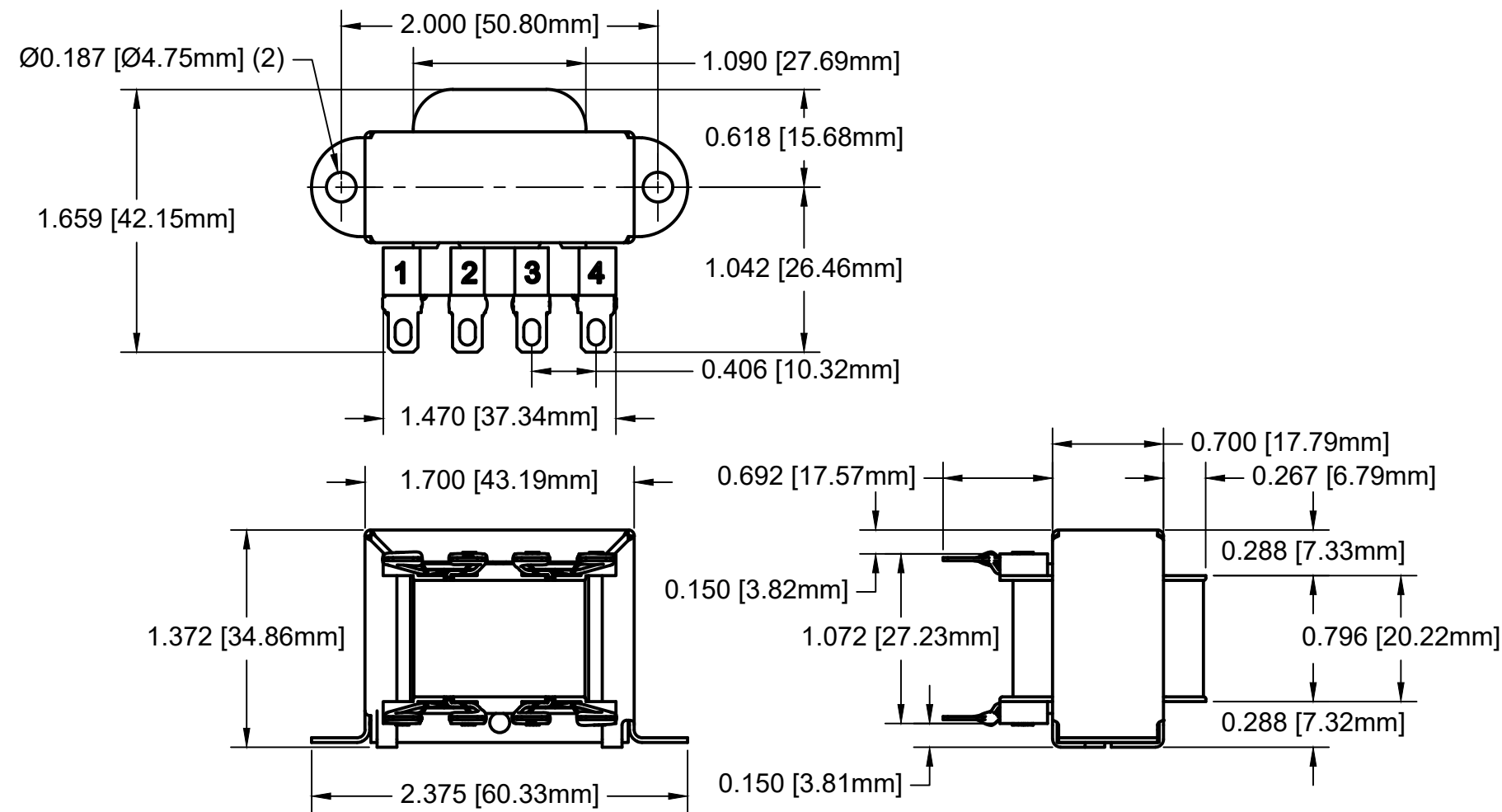


### SPECIFICATIONS

All Material is UL Listed

All materials are to be RoHS Compliant

| ITEM | QTY        | PART NUMBER | DESCRIPTION                        | MATERIAL   |
|------|------------|-------------|------------------------------------|--|
| 1    | 1          | B050-063-18 | Bobbin                             | Nylon 6/6 GF-30  |
| 2    | n/a        | See Design  | Magnet Wire                        | Copper, Class B, UL E32638   |
| 3    | n/a        | See Design  | Finish Tap                         | Polyester film tape, Class 130°, dielectric strength 5000V, UL E17385, guide OANZ2 |
| 4    | 0.273 lbs. | EI050       | Core Material                      | Steel M-6 29 ga. grain oriented lamination   |
| 5    | 8          | n/a         | Termination                        | 0.187" (3/16") quick disconnects   |
| 6    | 1          | C050-063-01 | Mounting                           | Zinc plated steel channel/frame  |
| 7    | n/a        | n/a         | Secondary Insulation (transformer) | Clear air dry polyester varnish  |



|   |  |   |  |   |  |
|---|--|---|--|---|--|
| DIMENSIONS ARE IN INCHES [MILLIMETERS].<br>X.XXX = ±0.010<br>X.XX = ±0.03<br>ANGLES = ±0.05<br>UNLESS OTHERWISE SPECIFIED |  | <b>EDCOR</b><br>Electronics Corporation |  | 7130 National Parks Highway<br>Carlsbad, NM 88220 U.S.A<br><a href="http://edcorusa.com">edcorusa.com</a> |  |
| DRAWING BY<br><b>Brian Weston</b>   |  | Date<br><b>12/13/2018</b>               |  | TITLE<br><b>EI 50 x 5/8" (0.1875 Quick Connects)<br/>         Horizontal Frame Mount</b>                  |  |
| CHECKED BY<br><b>Brian Weston</b>   |  | Date<br><b>12/13/2018</b>               |  | SIZE<br><b>B</b>  | CAGE CODE:<br>DRAWING NO.<br><b>15000-EI050-625-18</b>       |
| APPROVED BY<br><b>Brian Weston</b>  |  | Date<br><b>12/13/2018</b>               |  | SCALE: <b>1:1</b>   | © 2018 EDCOR Electronics Corporation<br>SHEET: <b>1 of 1</b> |