

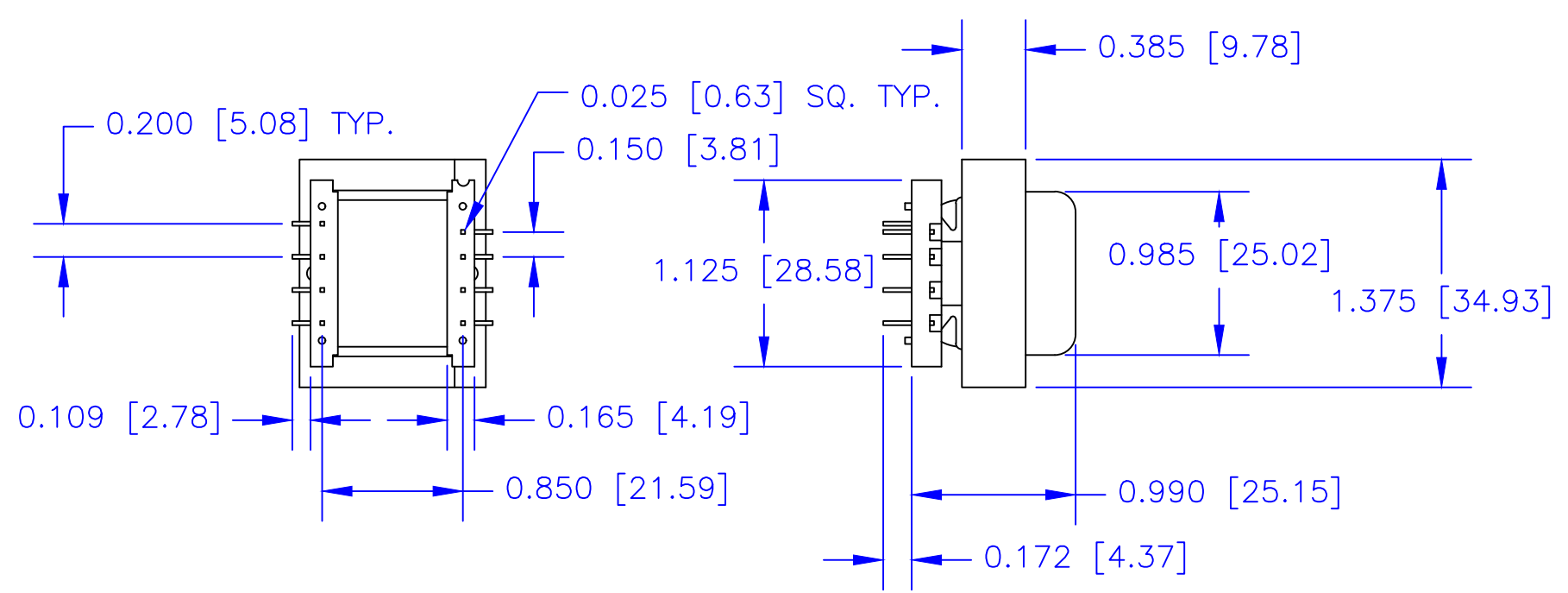
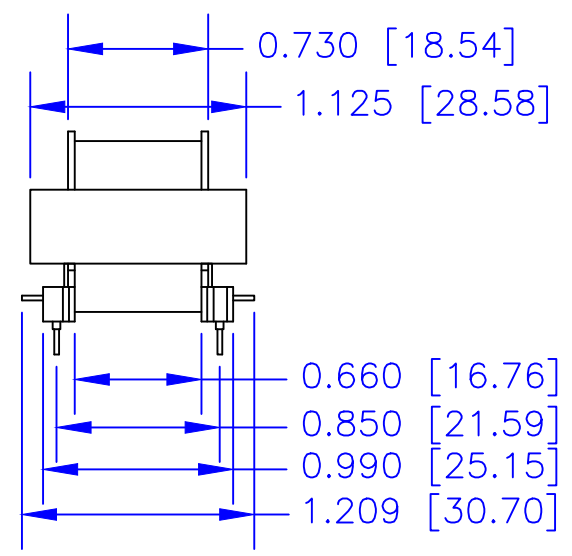
4

3

2

1

REVISIONS				
ZONE	REV	DESCRIPTION	DATE	APPROVED



### PCB MOUNTING SPECIFICATIONS

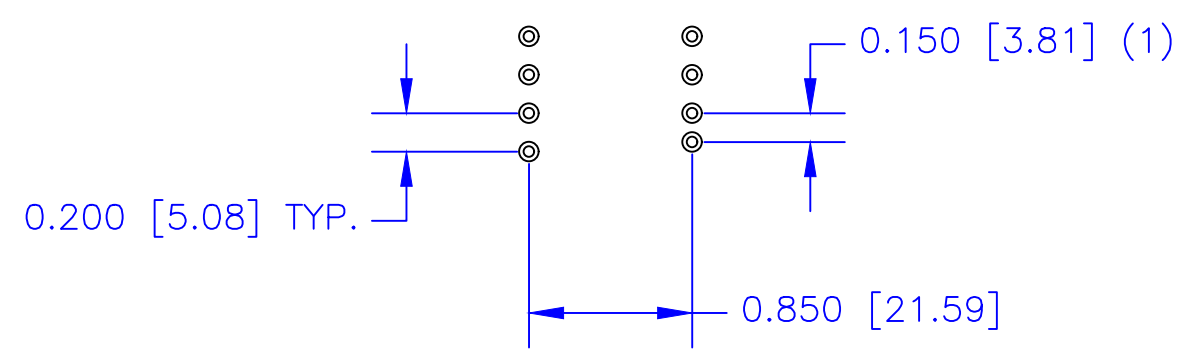
**PCB NOTES:**

- PIN 1 IS OFFSET FOR KEYING.
- PAD SHOULD BE AT LEAST 100 MIL. DIA.
- DRILL TROUGH HOLES SHOULD BE 55 MIL. DIA. AFTER 2 OZ. COPPER PLATED THROUGH HOLE.

**PIN ORIENTATION  
(COMPONENT LAYER)**



**FOOTPRINT  
(COMPONENT LAYER)**



**\*\*NOTES: UNLESS OTHERWISE SPECIFIED!**

- All material is UL listed.
- All material are to be RoHS compliant.
- Bobbin: Nylon 6/6 30% glass filled, Class B, Flammability 94HB UL E184262.
- Magnet Wire: Class B, UL E32638, Gauge depending on the transformer design specifications requirement.
- Finish Tape: Polyester film tape, Class 130°, dielectric strength 5000 volts, UL E17385, guide OANZ2.
- Core Material: Depending on the transformer design specifications requirement
- Termination: 8 pin PC.
- Mounting: Horizontal printed circuit board.
- Finish: Styrenated alkyd electrical varnish, air cured, UL E63933.

DIMENSIONS ARE IN INCHES [MILLIMETERS]. X.XXX = ±0.010 X.XX = ±0.03 ANGLES = ±0.05 UNLESS OTHERWISE SPECIFIED		<b>EDCOR Electronics</b> 7130 National Parks Highway, Carlsbad, NM 88220 Voice: (575) 887-6790 <a href="http://www.edcorusa.com">www.edcorusa.com</a>	
DRAWING BY <b>Brian Weston</b>		Date <b>9/2003</b>	
CHECKED BY <b>Brian Weston</b>		Date <b>9/2003</b>	
APPROVED BY <b>Larry Weston</b>		Date <b>9/2003</b>	
SIZE <b>C</b>	FSCM NO.	DWG NO. <b>15000-EI037-037-P08</b>	REV
SCALE: 1:1		©2015 EDCOR Electronics SHEET: 1 of 1	

4

3

2

1