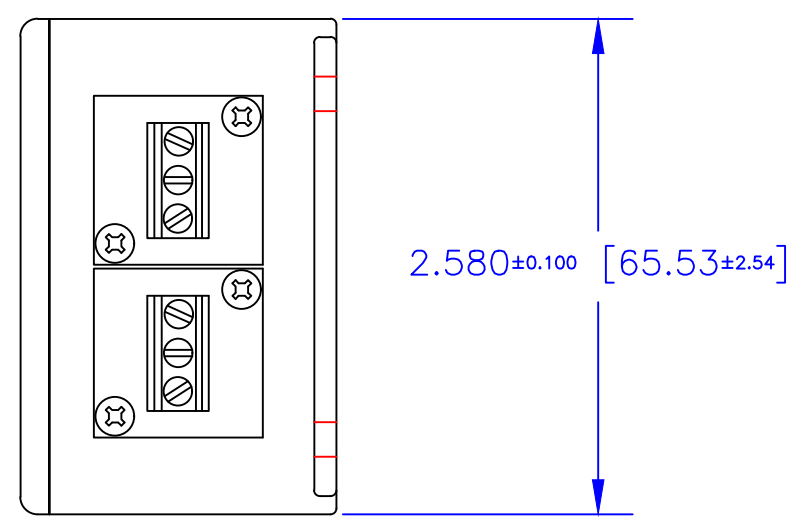
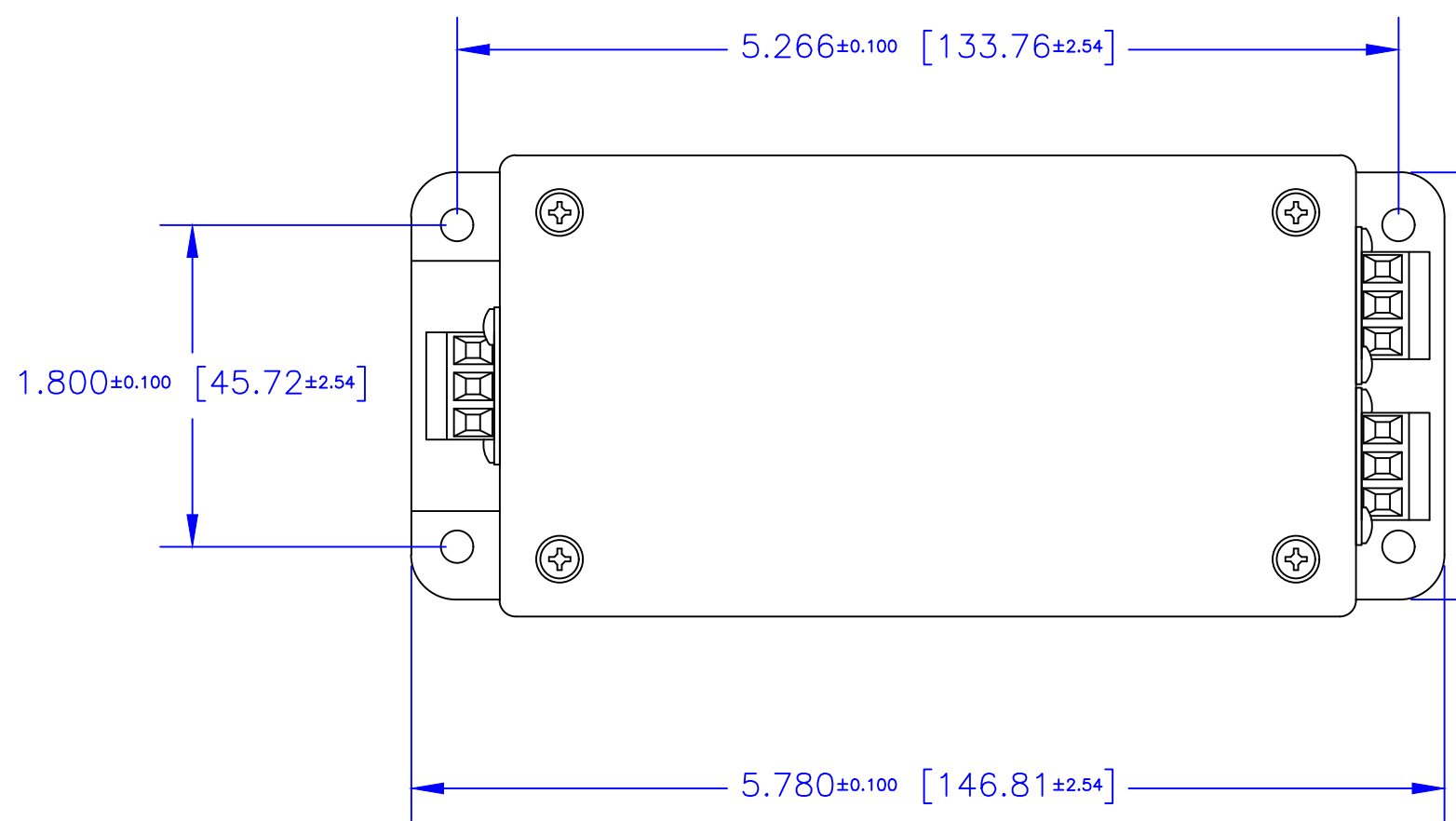
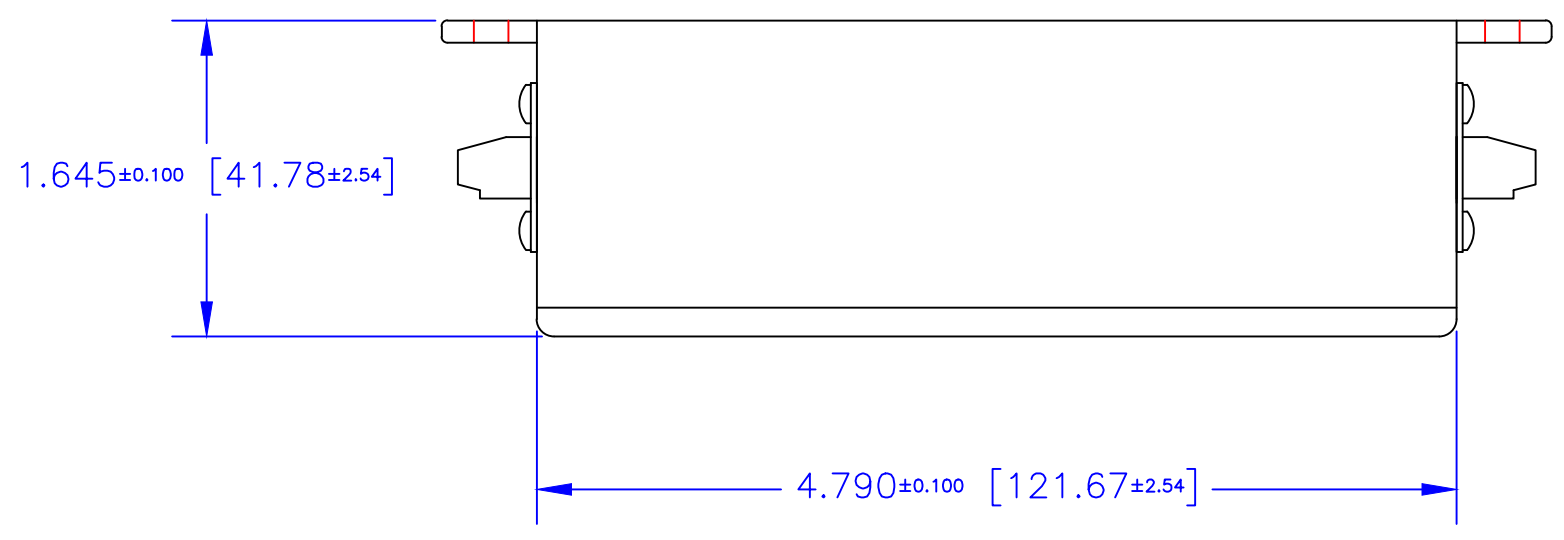


REVISIONS				
ZONE	REV	DESCRIPTION	DATE	APPROVED



- \*\*NOTES: UNLESS OTHERWISE SPECIFIED!**
- All material is UL listed.
  - All material are to be RoHS compliant.
  - ABS 94V0 plastic.

DIMENSIONS ARE IN INCHES (MILLIMETERS). X.XXX = ±0.010 X.XX = ±0.03 ANGLES = ±0.05 UNLESS OTHERWISE SPECIFIED		<b>EDCOR Electronics</b> 7130 National Parks Highway, Carlsbad, NM 88220 Voice: (575) 887-6790 <a href="http://www.edcorusa.com">www.edcorusa.com</a>		
DRAWING BY <b>Brian Weston</b>		Date <b>2/2009</b>		
CHECKED BY <b>Brian Weston</b>		Date <b>2/2009</b>		
APPROVED BY <b>Larry Weston</b>		Date <b>2/2009</b>		
SIZE <b>C</b>	FSCM NO.	DWG NO. <b>12000-SPT0-03</b>		REV
SCALE: 1:1		©2015 EDCOR Electronics		SHEET: 1 of 1