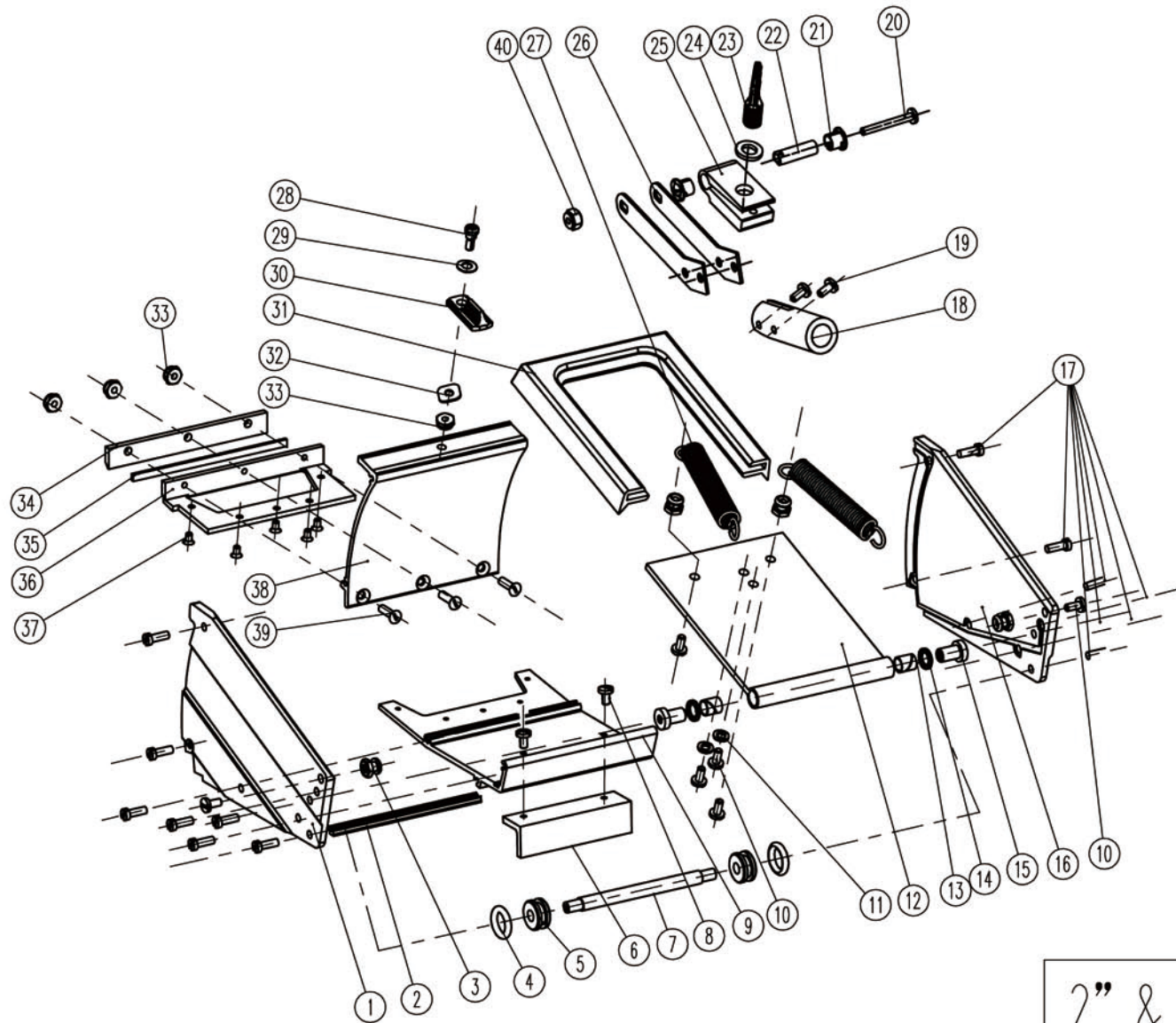


LEVEL 5



2" & 3" Nail Spotter
4-754 4-755

Level5

Level5 Nail Spotters				Level5 Nail Spotters			
2" and 3"				2" and 3"			
Schematic Number	Part Description	2"	3"	Schematic Number	Part Description	2"	3"
		4-754	4-755			4-754	4-755
1	N. S. Left Side Plate	7940		21	Nyliner Bearing	7063	
2	N. S. Rubber Shim	7941	7942	22	N. S. Clamp Roll Pin	7961	
3	Spring Anchor	7943		23	N. S. Thumb Screw	7962	
4	N. S. Rubber Tire	7944		24	washer	7315	
5	N. S. Wheel	7945		25	N. S. Tension Clamp	7963	
6	N. S. Kick Plate	7946	7947	26	N. S. Attachment Arms	7964	
7	N. S. Wheel Axle	7948	7949	27	N. S. Spring	7965	
8	screw	9910		28	screw	7793	
9	N. S Bottom Plate	7950	7951	29	washer	7798	
10	screw	8291		30	Latch	7792	
11	washer	7952		31	N. S. Gasket	7966	7967
12	N. S. Pressure Plate	7953	7954	32	Plastic Washer	7968	
13	Nyliner Bearing	7119		33	nut	7015	
14	Flat plastic washer	7955		34	N. S. Blade Bracket	7969	7970
15	N. S. Pivot	7956		35	N. S. Blade	7971	7972
16	N. S. Right Side Plate	7957		36	N. S. Facing	7973	7974
17	Screw	7958		37	screw	7136	
18	N. S. Handle attachment	7959		38	N. S. Front Plate	7975	7976
19	Screw	7235		39	screw	7977	
20	Screw	7960		40	Nut	N/A	8288

2" & 3" Nail Spotter 4-754 & 4-755