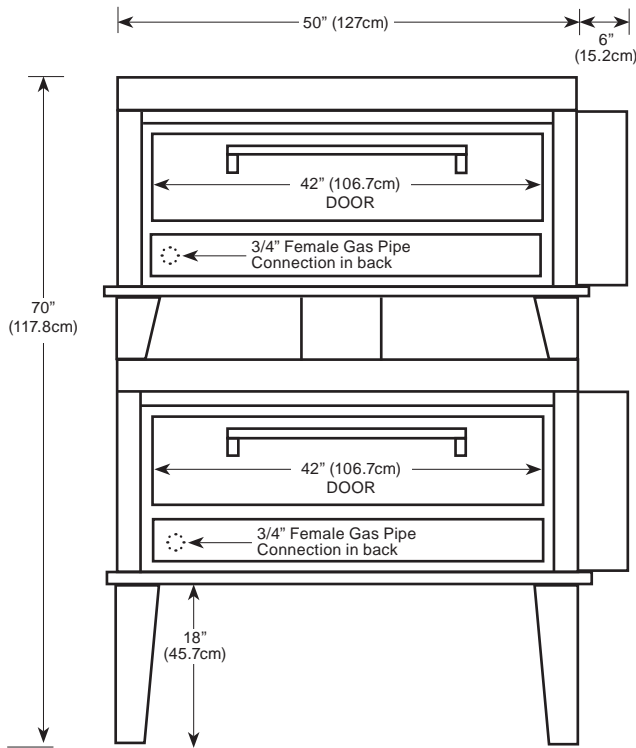


MAXIMIZER

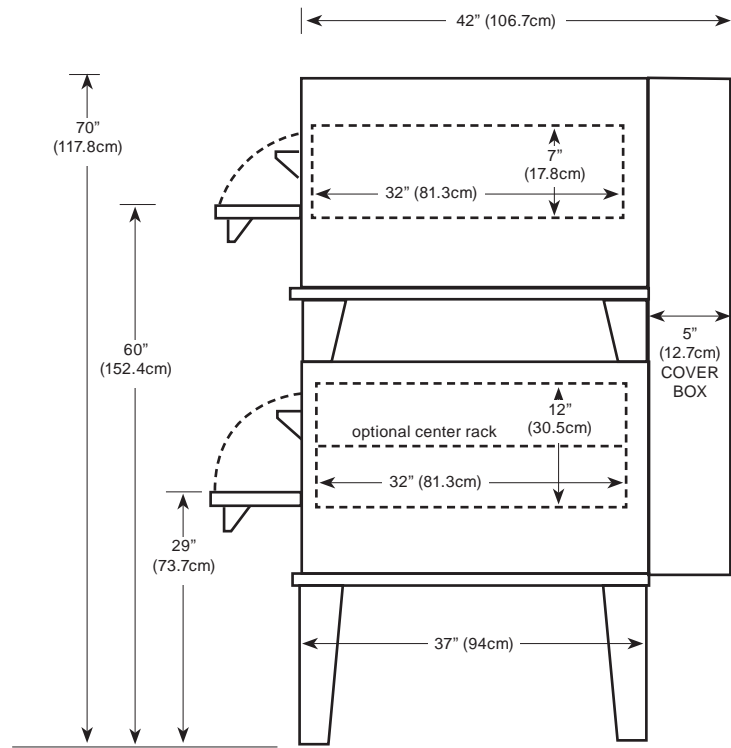
Electric Bake & Roast Ovens

MODEL CE51/CE41BESC

Electric Bake/Roast Ovens can be combined with electric Pizza Ovens to meet your specific needs. Contact Peerless for details.



FRONT VIEW
CE51/CE41BESC



SIDE VIEW
CE51/CE41BESC

| | |
|--|---|
| Floor space | .56" (142.2cm) wide x 42" (106.7cm) deep* x 70" (177.8cm) high |
| Shelf size CE51BESC . . . | 42" (106.7cm) wide x 32" (81.3cm) deep x 12" (30.5cm) high |
| Shelf size CE41BESC . . . | 42" (106.7cm) wide x 32" (81.3cm) deep x 7" (17.8cm) high |
| Shipping weight | 1075 lbs (487.6kg) |
| Capacity | Two 18"x26" bun pans per section |
| Electric | .8 KW - 220V single phase, 50 AMPS each (2) Optional three phase, 30 AMPS each (2) |
| Maximum opening required for installation: 25" | * Handle adds 2.5"(6.4cm) to depth |

