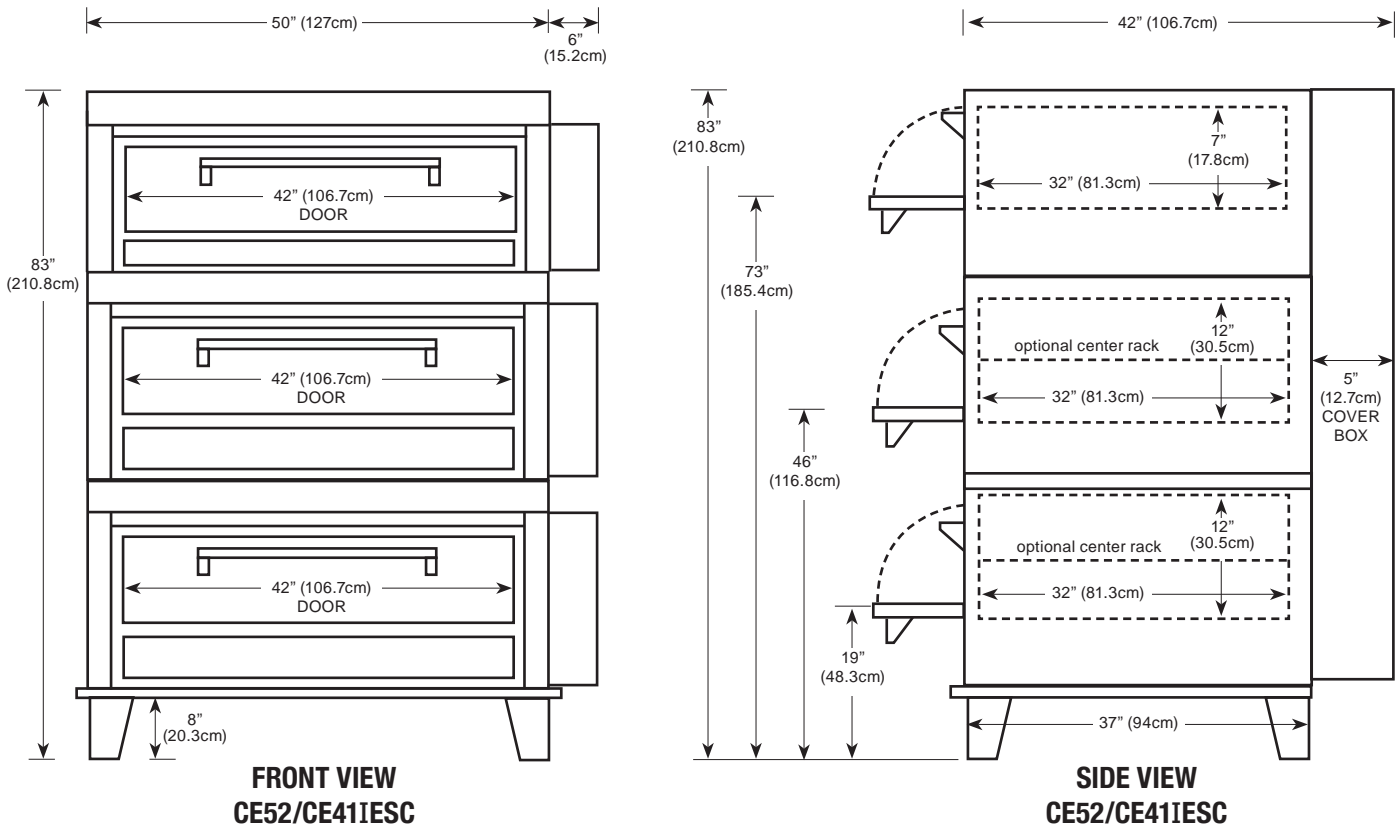


MAXIMIZER

Electric Industrial Ovens

MODEL CE52/CE41IESC



**FRONT VIEW
CE52/CE41IESC**

**SIDE VIEW
CE52/CE41IESC**

Floor space	56" (142.2cm) wide x 42" (106.7cm) deep* x 83" (210.8cm) high
Shelf size CE52IESC	42" (106.7cm) wide x 32" (81.3cm) deep x 12" (30.5cm) high
Shelf size CE41IESC	42" (106.7cm) wide x 32" (81.3cm) deep x 7" (17.8cm) high
Shipping weight	1625 lbs (737kg)
Capacity CE52IESC	Two 18"x26" trays per section
Capacity CE41IESC	Two 18"x26" trays per section
Electric	8 KW - 220V single phase, 50 AMPS each (3) Optional three phase, 30 AMPS each (3)
Maximum opening required for installation: 25"	* Handle adds 2.5"(6.4cm) to depth



P.O. Box 859 • Sandusky, Ohio 44870 • (419) 625-4514 • FAX 625-4597