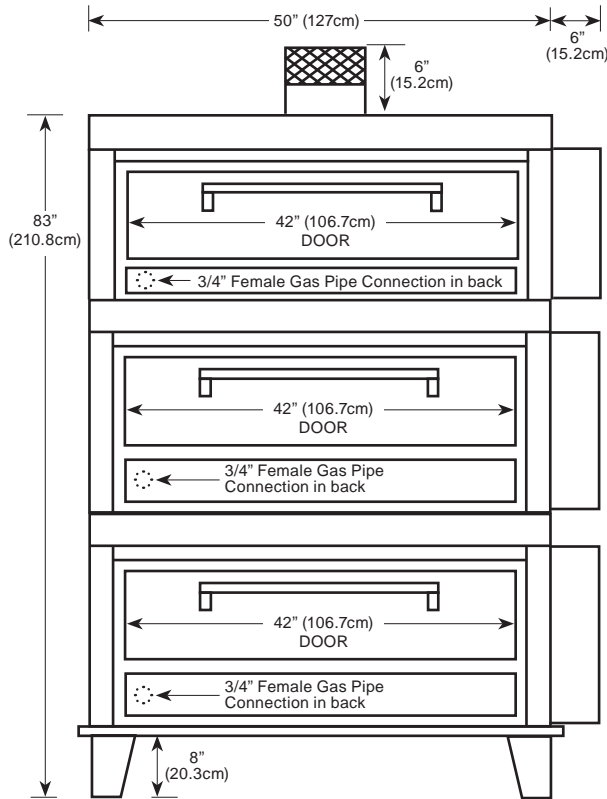


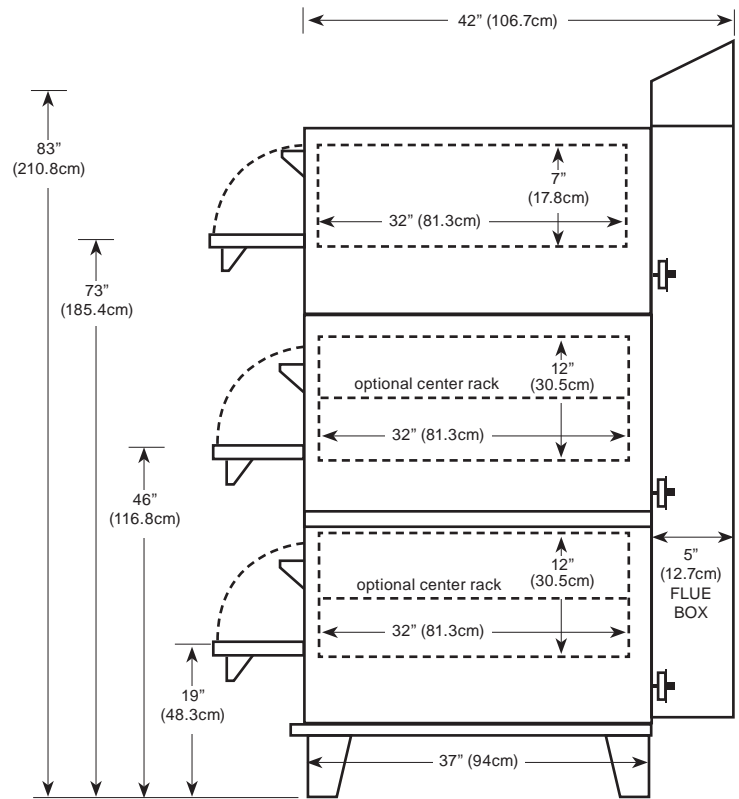
# MAXIMIZER

## Gas Industrial Ovens

MODEL CW52/CW41ISC



**FRONT VIEW**  
**CW52/CW41ISC**



**SIDE VIEW**  
**CW52/CW41ISC**

Floor space . . . . .	56" (142.2cm) wide x 42" (106.7cm) deep x 83" (210.8cm) high
Shelf size CW52ISC . . . . .	42" (106.7cm) wide x 32" (81.3cm) deep x 12" (30.5cm) high
Shelf size CW41ISC . . . . .	42" (106.7cm) wide x 32" (81.3cm) deep x 7" (17.8cm) high
Shipping weight . . . . .	1625 lbs (737kg)
Capacity CW52ISC . . . . .	Two 18"x26" trays per section
Capacity CW41ISC . . . . .	Two 18"x26" trays per section
Gas . . . . .	Maximum 60,000 BTU input each (3)
Maximum opening required for installation: 25"	* Handle adds 2.5"(6.4cm) to depth

