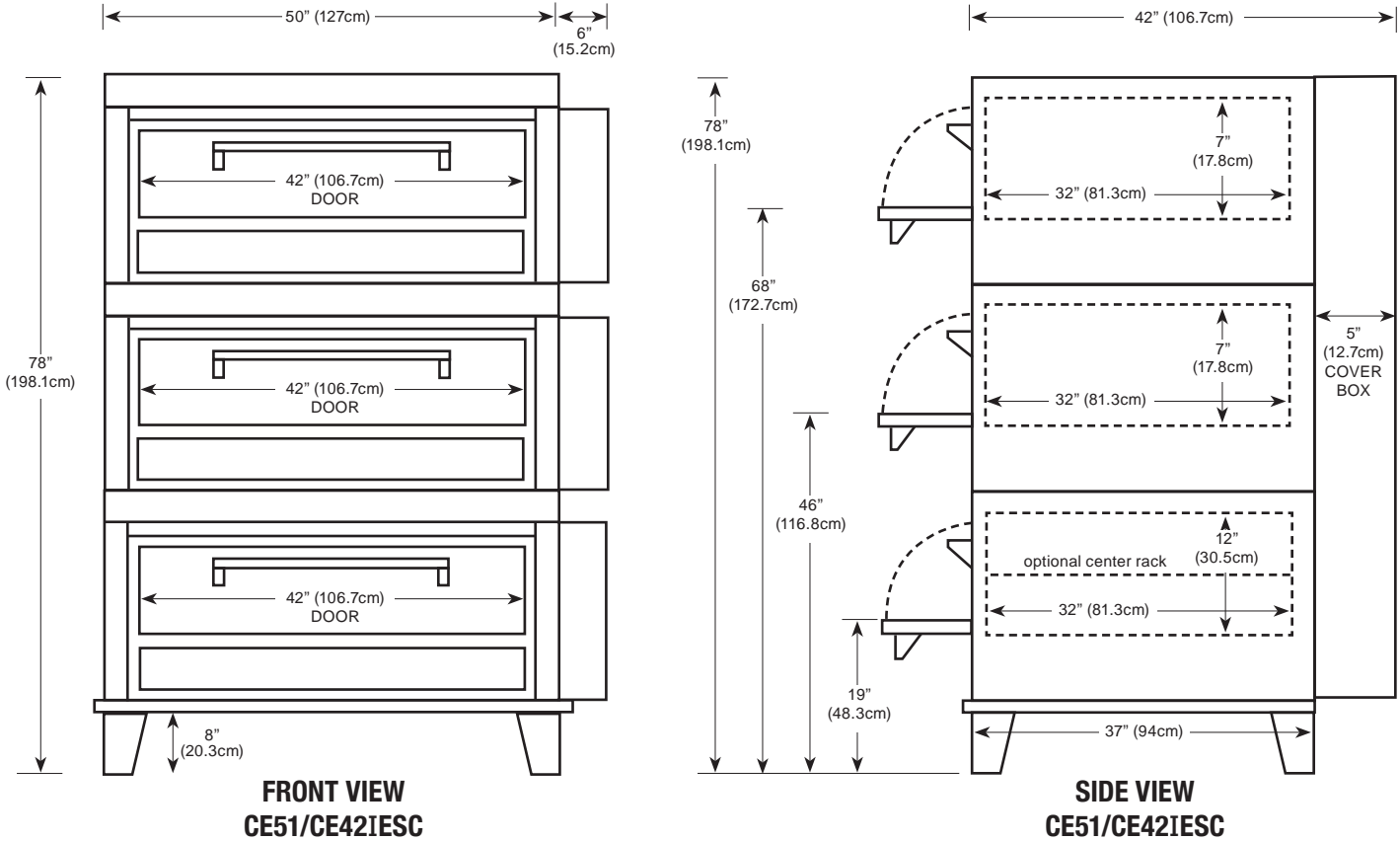


# MAXIMIZER

## Electric Industrial Ovens

MODEL CE51/CE42IESC



Floor space . . . . .	56" (142.2cm) wide x 42" (106.7cm) deep* x 78" (198.1cm) high
Shelf size CE51IESC . . . . .	42" (106.7cm) wide x 32" (81.3cm) deep x 12" (30.5cm) high
Shelf size CW42IESC . . . . .	42" (106.7cm) wide x 32" (81.3cm) deep x 7" (17.8cm) high
Shipping weight . . . . .	1600 lbs (725.8kg)
Capacity CE51IESC . . . . .	Two 18"x26" trays per section
Capacity CE42IESC . . . . .	Four 18"x26" trays per section
Electric . . . . .	8 KW - 220V single phase, 50 AMPS each (3) Optional three phase, 30 AMPS each (3)
Maximum opening required for installation: 25"	* Handle adds 2.5"(6.4cm) to depth

