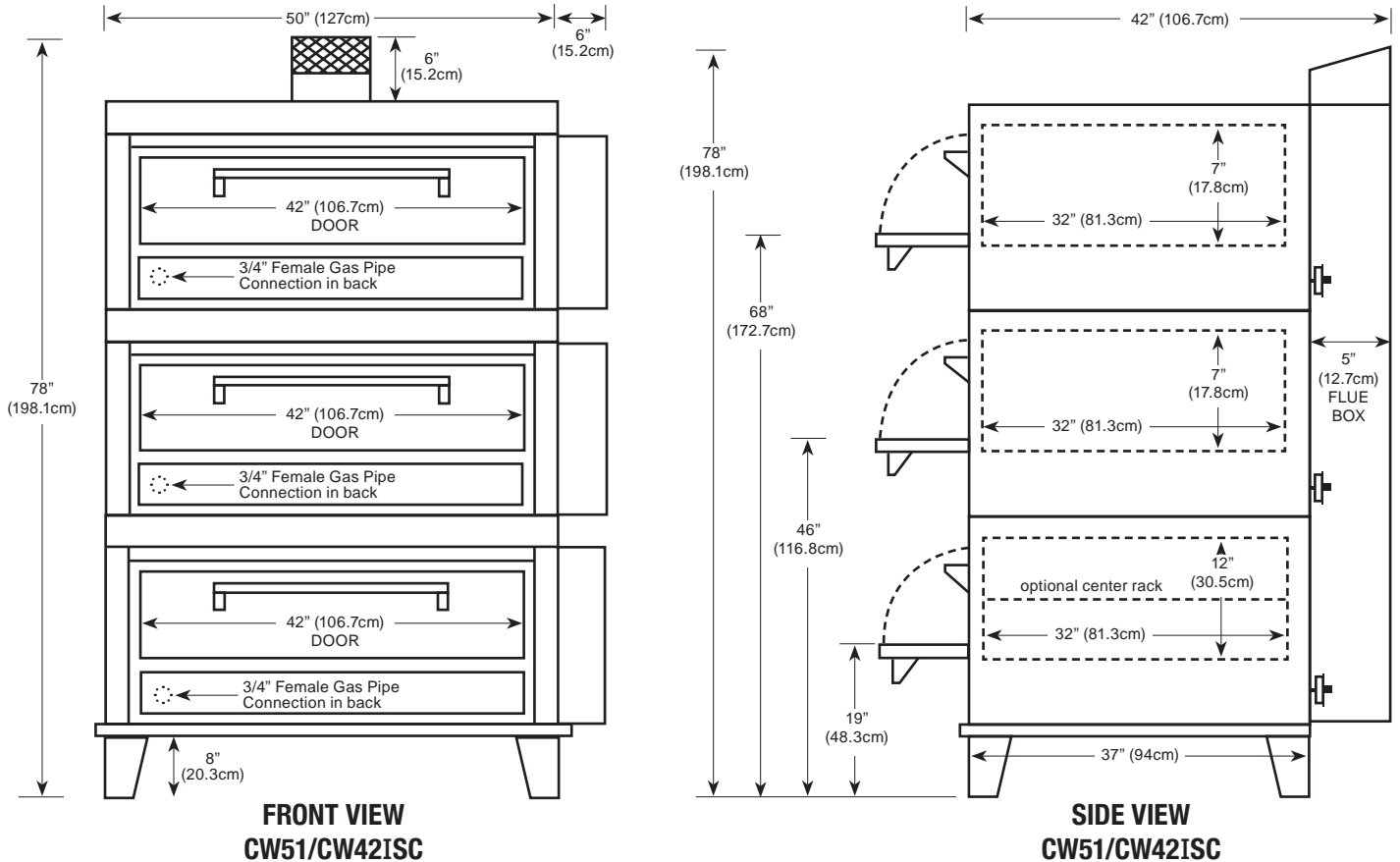


# MAXIMIZER

## Gas Industrial Ovens

MODEL CW51/CW42ISC



Floor space . . . . .	56" (142.2cm) wide x 42" (106.7cm) deep* x 78" 198.1cm high
Shelf size CW51ISC . . . . .	42" (106.7cm) wide x 32" (81.3cm) deep x 12" (30.5cm) high
Shelf size CW42ISC . . . . .	42" (106.7cm) wide x 32" (81.3cm) deep x 7" (17.8cm) high
Shipping weight . . . . .	1600 lbs (725.8kg)
Capacity CW51ISC . . . . .	Two 18"x26" trays per section
Capacity CW42ISC . . . . .	Four 18"x26" trays per section
Gas . . . . .	Maximum 60,000 BTU input each (3)
Maximum opening required for installation: 25"	* Handle adds 2.5"(6.4cm) to depth

