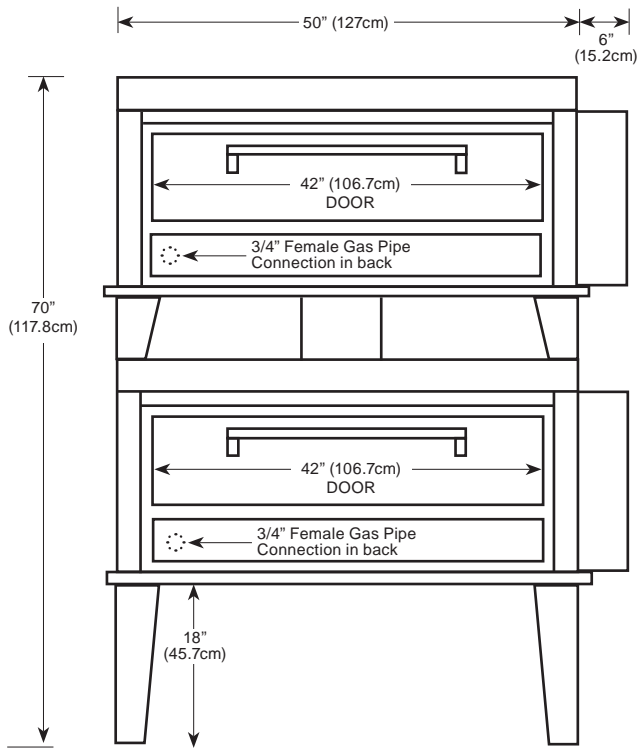


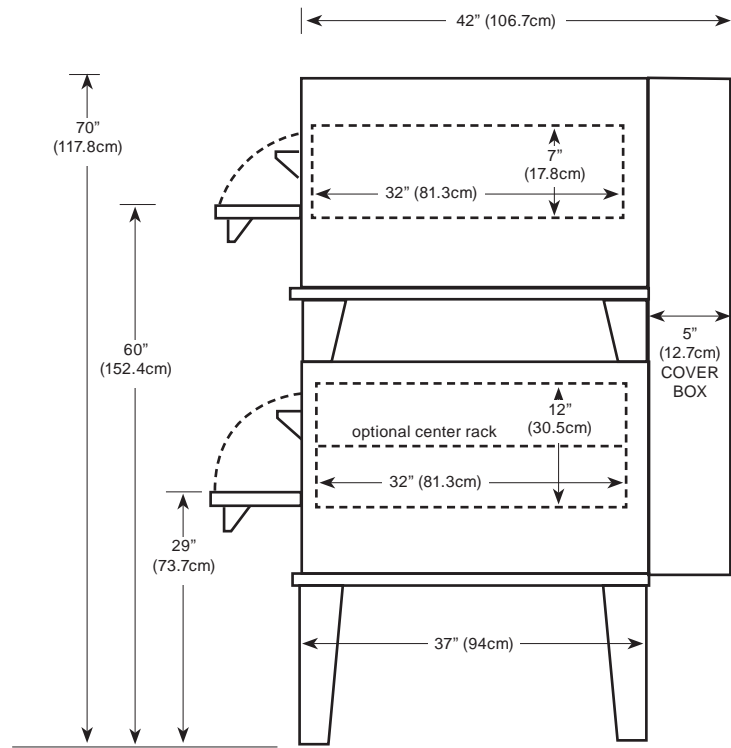
MAXIMIZER

Electric Industrial Ovens

MODEL CE51/CE41IESC



FRONT VIEW
CE51/CE41IESC



SIDE VIEW
CE51/CE41IESC

Floor space56" (142.2cm) wide x 42" (106.7cm) deep* x 70" (177.8cm) high
Shelf size CE51IESC.	42" (106.7cm) wide x 32" (81.3cm) deep x 12" (30.5cm) high
Shelf size CE41IESC.	42" (106.7cm) wide x 32" (81.3cm) deep x 7" (17.8cm) high
Shipping weight	1075 lbs (487.6kg)
Capacity	Two 18"x26" trays per section
Electric8 KW - 220V single phase, 50 AMPS each (2) Optional three phase, 30 AMPS each (2)
Maximum opening required for installation: 25"	* Handle adds 2.5"(6.4cm) to depth

