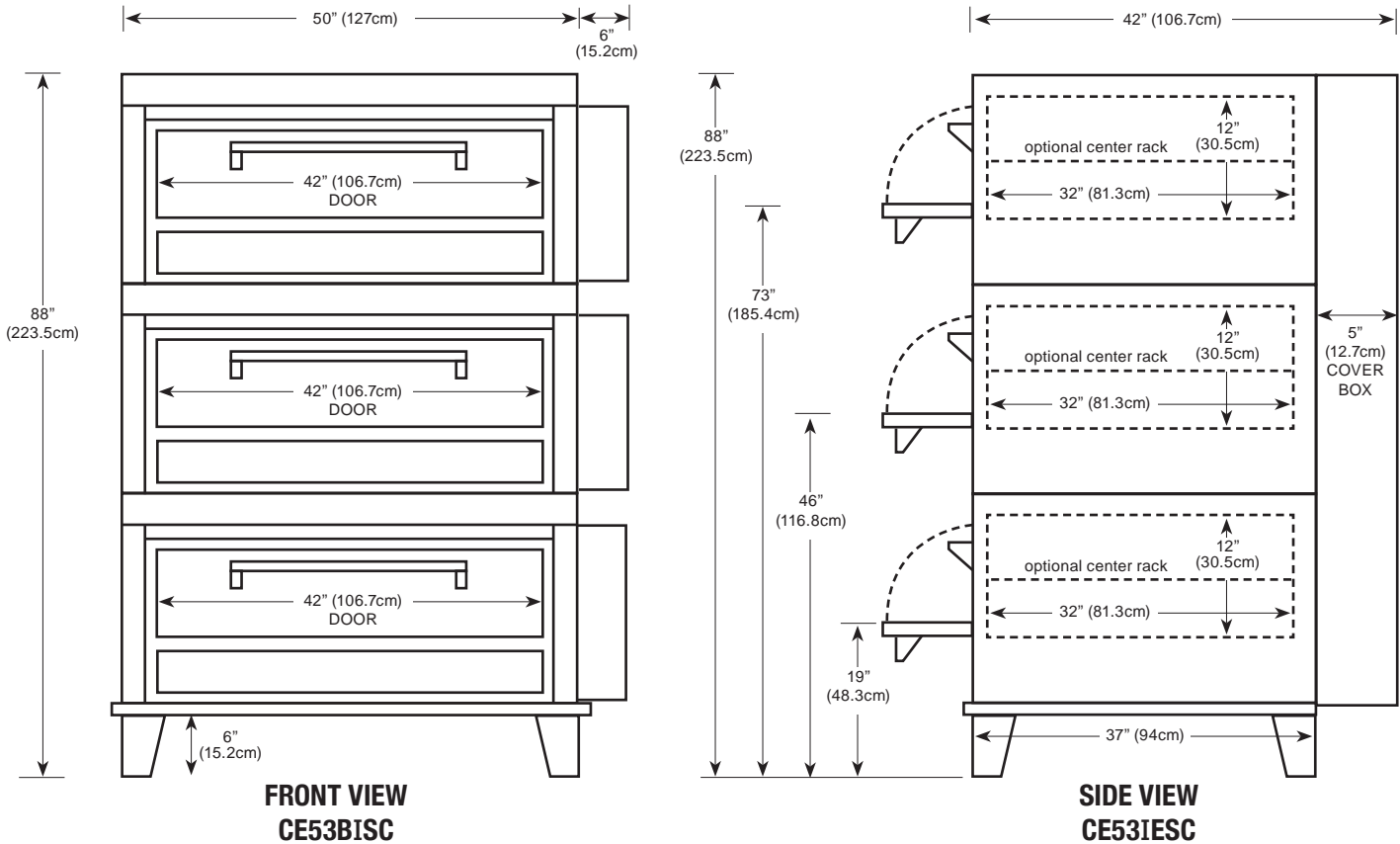


MAXIMIZER

Electric Industrial Ovens

MODEL CE53IESC



Floor space	56" (142.2cm) wide x 42" (106.7cm) deep* x 88" (223.5cm) high
Shelf size	42" (106.7cm) wide x 32" (81.3cm) deep x 12" (30.5cm) high
Shipping weight1650 lbs (748.4kg)
Capacity	Two 18"x26" trays per section
Electric	8 KW - 220V single phase, 50 AMPS each (3) Optional three phase, 30 AMPS each (3)
Maximum opening required for installation: 25"	* Handle adds 2.5"(6.4cm) to depth

