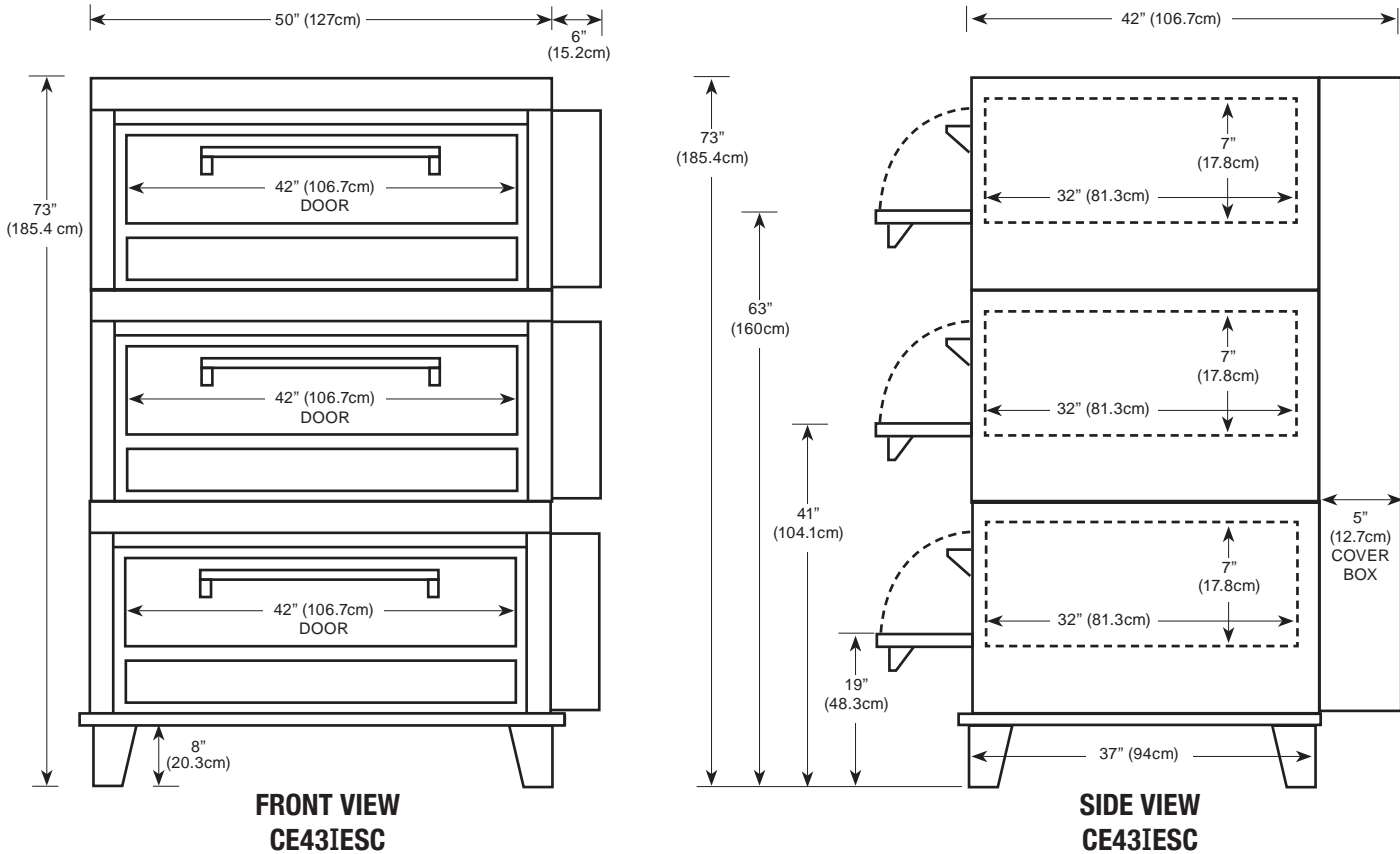


# MAXIMIZER

## Electric Industrial Ovens

MODEL CE43IESC



**FRONT VIEW  
CE43IESC**

**SIDE VIEW  
CE43IESC**

Floor space . . . . .	56" (142.2cm) wide x 42" (106.7cm) deep* x 73" (185.4cm) high
Shelf size . . . . .	42" (106.7cm) wide x 32" (81.3cm) deep x 7" (17.8cm) high
Shipping weight . . . . .	1575 lbs (714.4kg)
Capacity . . . . .	Two 18"x26" trays per section
Electric . . . . .	8 KW - 220V single phase, 50 AMPS each (3) Optional three phase, 30 AMPS each (3)
Maximum opening required for installation: 22"	* Handle adds 2.5"(6.4cm) to depth

