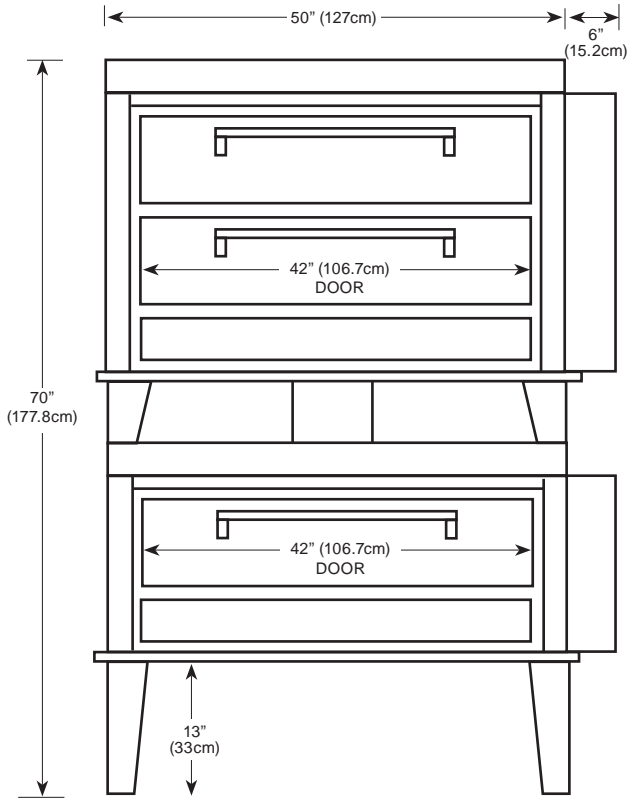


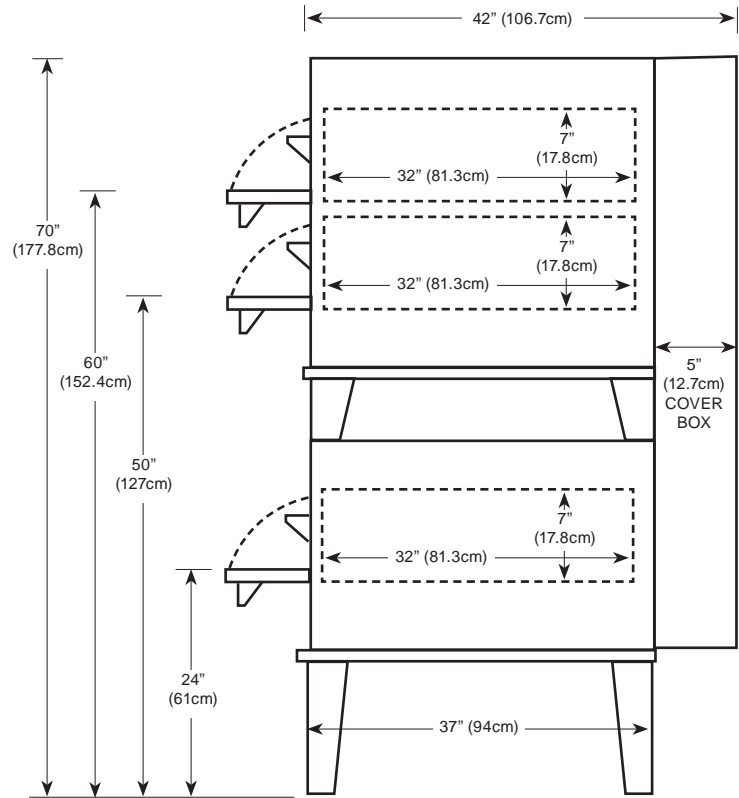
MAXIMIZER

Electric Industrial Ovens

MODEL CE41/CE61IESC



FRONT VIEW
CE41/CE61IESC



SIDE VIEW
CE41/CE61IESC

Floor space	56" (142.2cm) wide x 42" (106.7cm) deep* x 70" (177.8cm) high
Shelf size	42" (106.7cm) wide x 32" (81.3cm) deep x 7" (17.8cm) high
Shipping weight	1150 lbs (521.6kg)
Capacity CE41IESC	Two 18"x26" trays per section
Capacity CE61IESC	Four 18"x26" trays per section
Electric CE41IESC	8 KW - 220V single phase, 50 AMPS Optional three phase, 30 AMPS
Electric CE61IESC	8 KW - 220V single phase, 60 AMPS Optional three phase, 40 AMPS
Maximum opening required for installation:	31"	* Handle adds 2.5"(6.4cm) to depth

