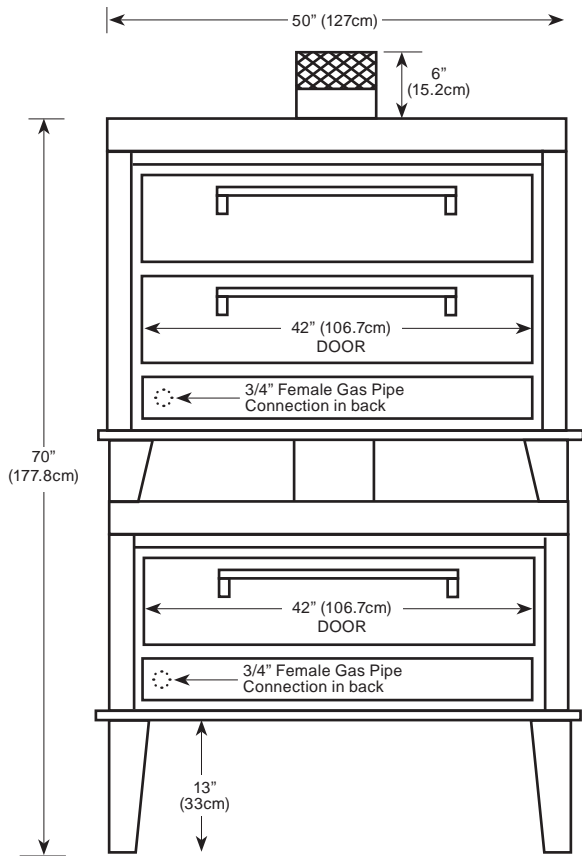


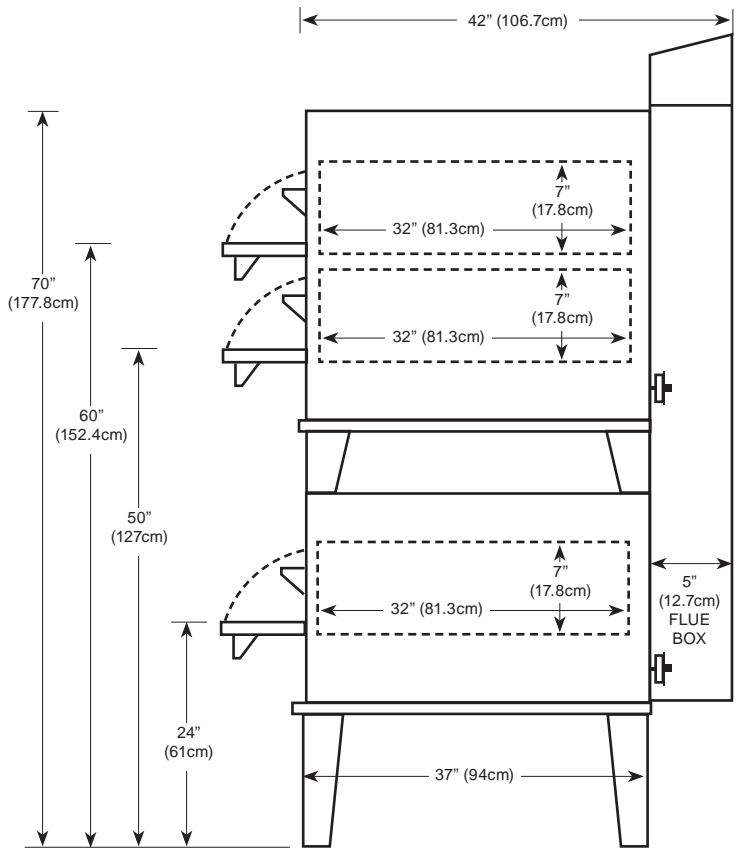
MAXIMIZER

Gas Industrial Ovens

MODEL CW41/CW61I



**FRONT VIEW
CW41/CW61I**



**SIDE VIEW
CW41/CW61I**

Floor space	50" (127cm) wide x 42" (106.7cm) deep* x 70" (177.8cm) high
Shelf size	42"(106.7cm) wide x 32" (81.3cm) deep x 7" (17.8cm) high
Shipping weight	1150 lbs (521.6kg)
Capacity CW41I	Two 18"x26" trays per section
Capacity CW61I	Four 18"x26" trays per section
Gas	Maximum 60,000 BTU input each (2)
Maximum opening required for installation: 31" * Handle adds 2.5"(6.4cm) to depth	

