

MAXIMIZER

Electric Industrial Ovens

MODEL CE62IESC

General Features:

- **Quality Construction**
for long life
- **Stainless Steel Front Standard**
Stainless top & sides available (T430)
- **Heavy Duty Steel Deck**
with flanged sides (16AL)
- **Full Range Digital Thermostat**
150°F - 550°F (65°C - 288°C)
Precise temperature control
- **Space Saver**
Only 56" wide
- **Stackable**
Multiple options for flexibility
- **Aluminized Interior Standard**
- **Solid State Relay**
Silent operation
- **Easily Serviceable**
Most controls can be replaced from the front of the unit
- **Power**
Electric
Single phase standard
Three phase optional
- **Specific Features**
of the CE62IESC listed on back

Warranty:

- One year parts and labor



ELECTRIC

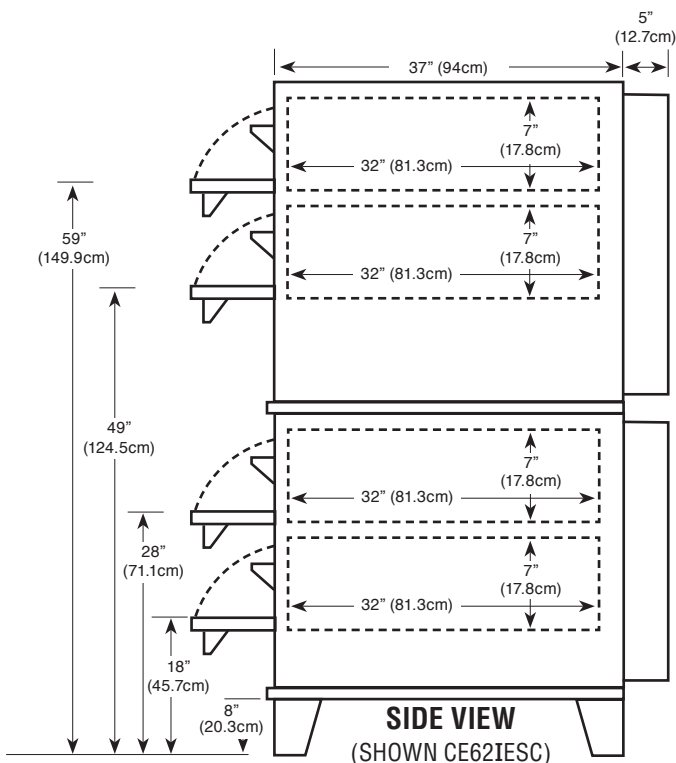
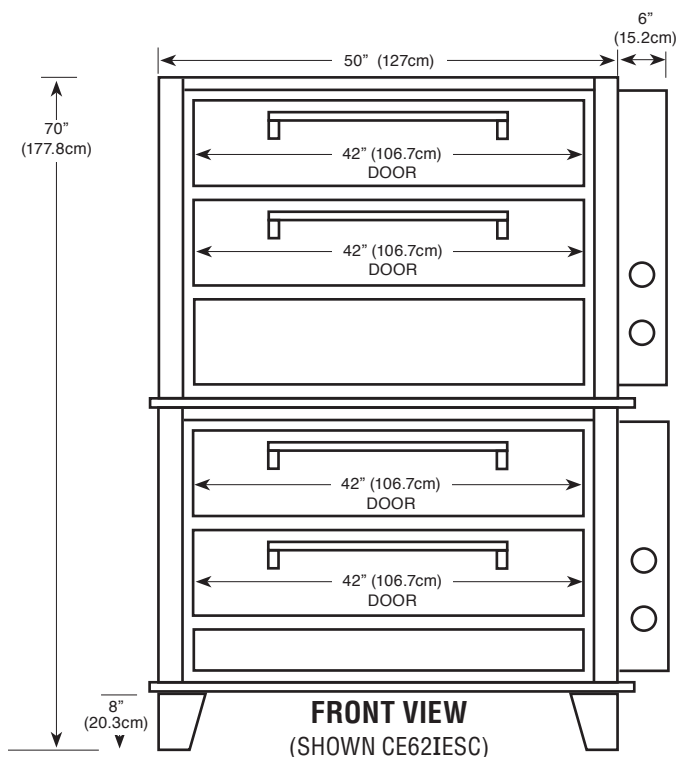


Steel Decks

MORE FOR LESS

More Heating Space per Floor Space
More Heating Capacity per Sales Dollar
More Performance per Dollar

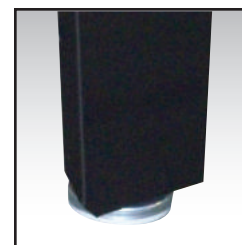




| | |
|--|---|
| Floor space | 56" (142.2cm) wide x 42" (106.7cm) deep* x 70" (177.8cm) high |
| High Shelf size | 42" (106.7cm) wide x 32" (81.3cm) deep x 7" (17.8cm) high |
| Shipping weight | 1100 lbs (499kg) |
| Capacity | Four 18"x26" trays per section |
| Electric | 24 KW - 220V single phase each, 120 AMPS Optional three phase, 80 AMPS |
| Opening required for installation: 32" | * Handle adds 2.5"(6.4cm) to depth |



Digital Electronic Controller



Adjustable Legs

Durable Construction

The CE62IESC is built with *prime 20-gauge cold-rolled top and sides* with a 14-gauge base. The *interior is made of Armco Type 1, 20-gauge aluminized steel*. The CE62IESC comes standard with stainless steel front, or optional all stainless steel finish. The stainless steel is made of high quality, 18-gauge 430 stainless; the door interior is 18 gauge stainless.

Energy Efficiency

The CE62IESC is powered by six (6) 2,000w elements each, which *increases its efficiency and recovery rate*.

Capacity

The CE62IESC deck size measures 42"x32"x7" (2). The CE62IESC will hold eight (8) 18"x26" trays. Heating time will vary according to product.

Space Saver

Because the controls are at the side, the CE62IESC requires *less installation space* than our competition. This enables you to free up valuable workspace. The actual width needed is mere 56" for four (4) **42"x32" decks**, almost a foot less than the competition.

Design Plus

The CE62IESC has the *controls at the side for ease of operation and space savings*. This also places the controls in their own *air-conditioned area* so they are not affected by outside influences.

