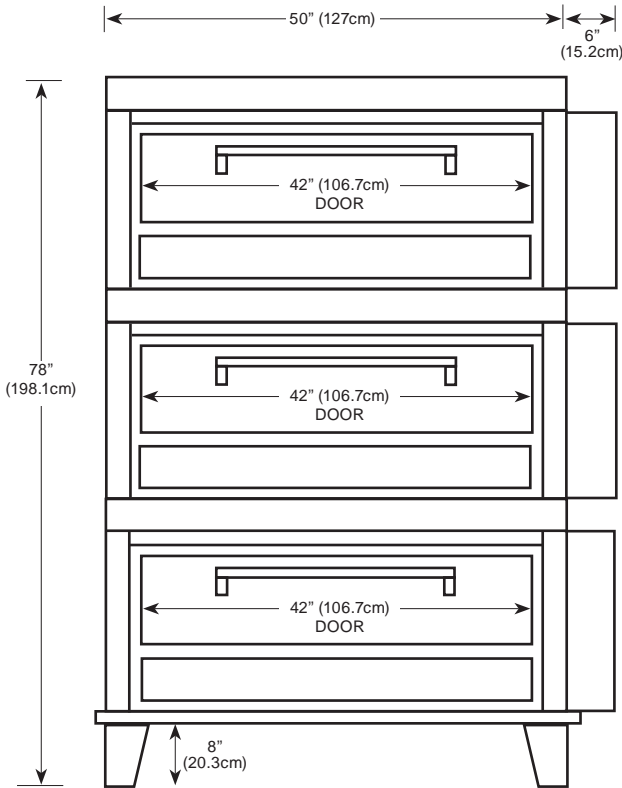


MAXIMIZER

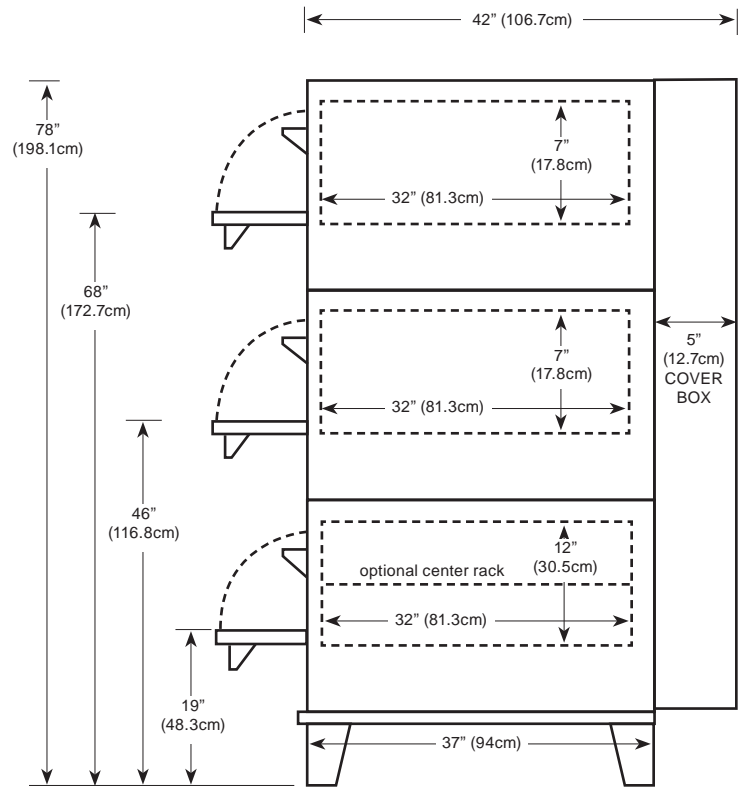
Electric Bake & Roast Ovens

MODEL CE51/CE42BESC

Electric Bake/Roast Ovens can be combined with electric Pizza Ovens to meet your specific needs. Contact Peerless for details.



FRONT VIEW
CE51/CE42BESC



SIDE VIEW
CE51/CE42BESC

Floor space	56" (142.2cm) wide x 42" (106.7cm) deep* x 78" (198.1cm) high
Shelf size CE51BESC	42" (106.7cm) wide x 32" (81.3cm) deep x 12" (30.5cm) high
Shelf size CW42BESC	42" (106.7cm) wide x 32" (81.3cm) deep x 7" (17.8cm) high
Shipping weight	1600 lbs (725.8kg)
Capacity CE51BESC	Two 18"x26" bun pans per section
Capacity CE42BESC	Four 18"x26" bun pans per section
Electric	8 KW - 220V single phase, 50 AMPS each (3) Optional three phase, 30 AMPS each (3)
Maximum opening required for installation: 25"	* Handle adds 2.5"(6.4cm) to depth

