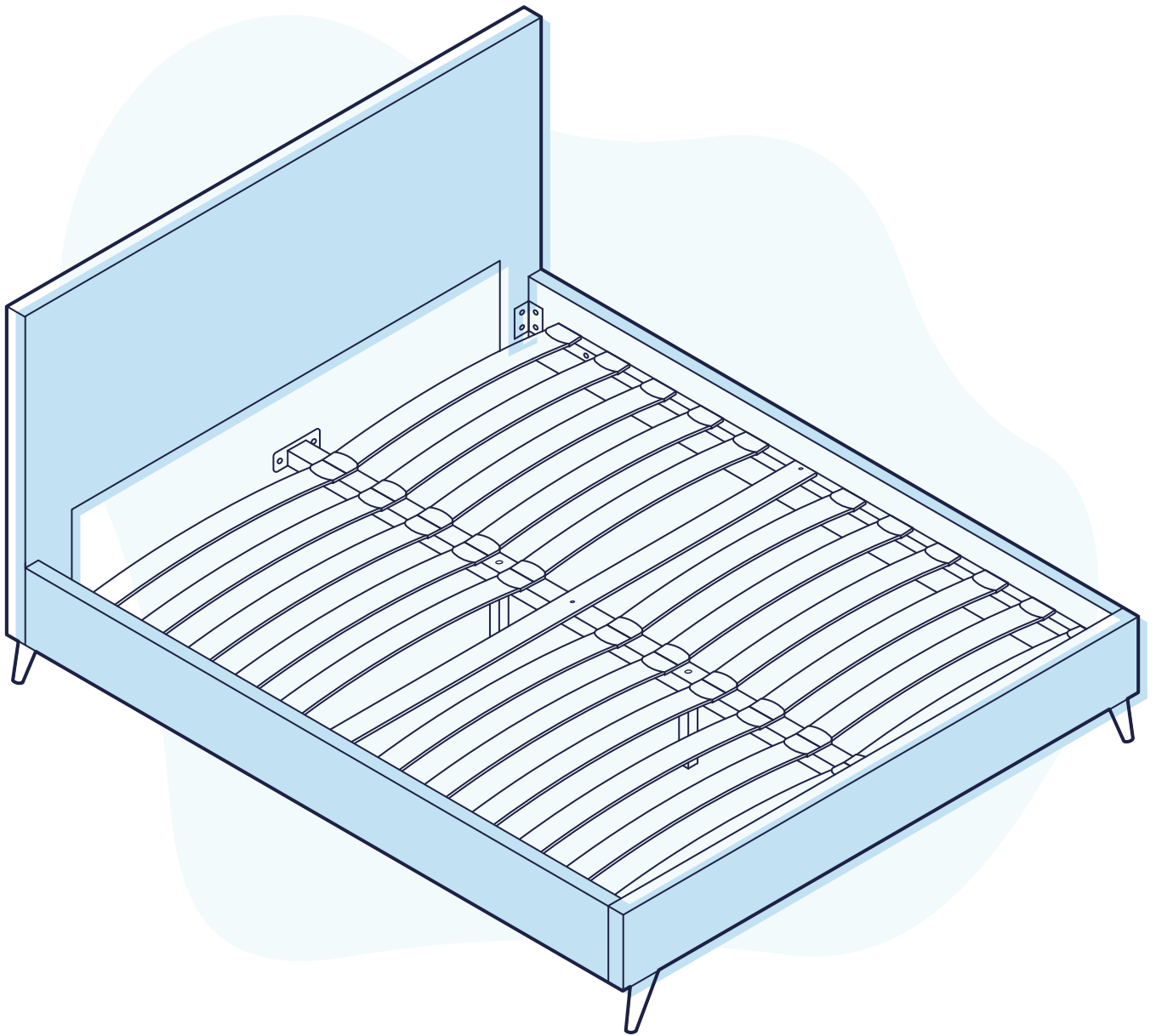


Lit Scandinave

Scandinavian bed / Letto scandinavo / Cama escandinava /
Scandinavisch bed / Cama escandinava



HYPNIA



Let's go !

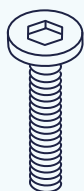
You can do it all by yourself

Visserie

Screws / Viti / Empulgueras / Schroeven / Parafusos



① x1



② x14

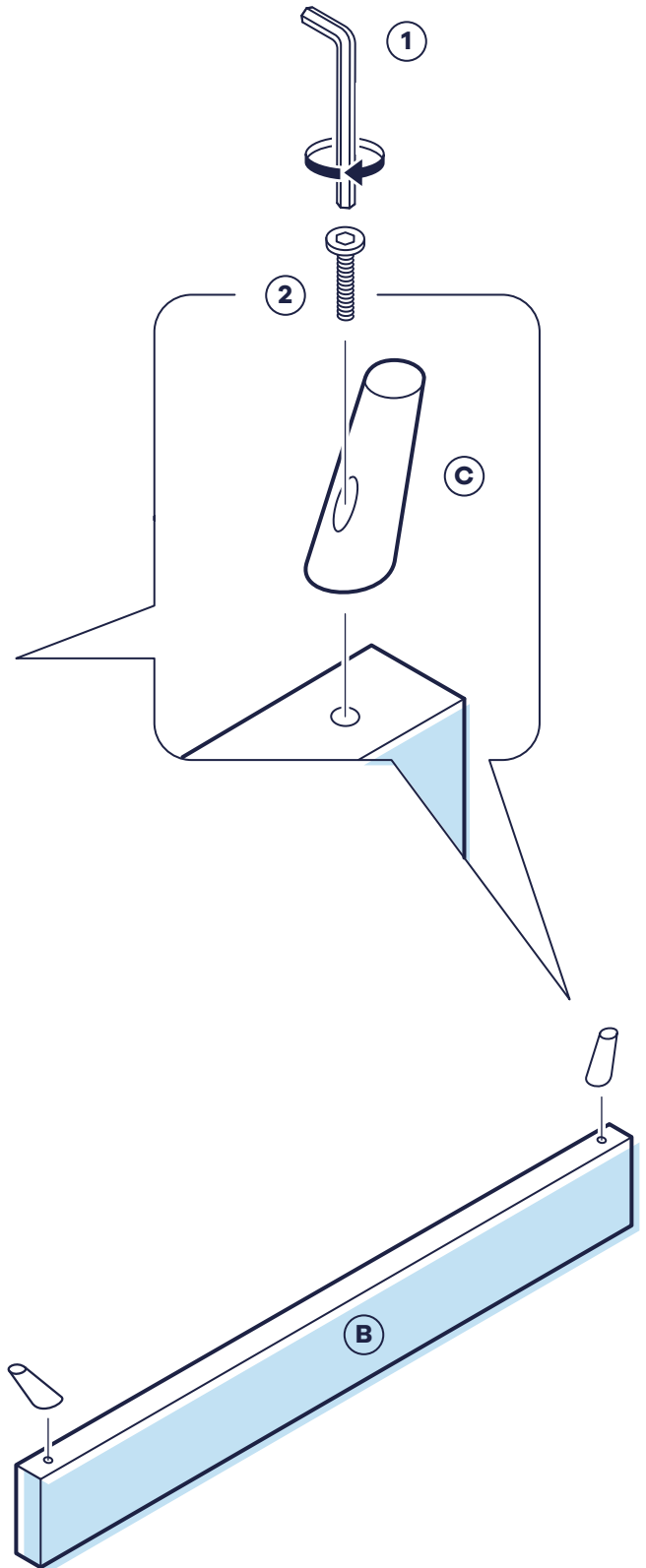
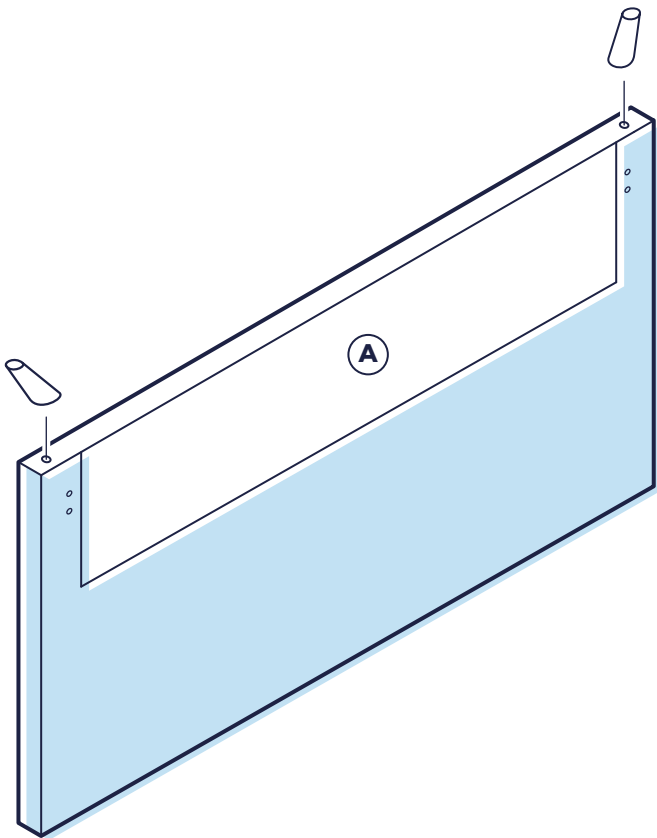


③ x22

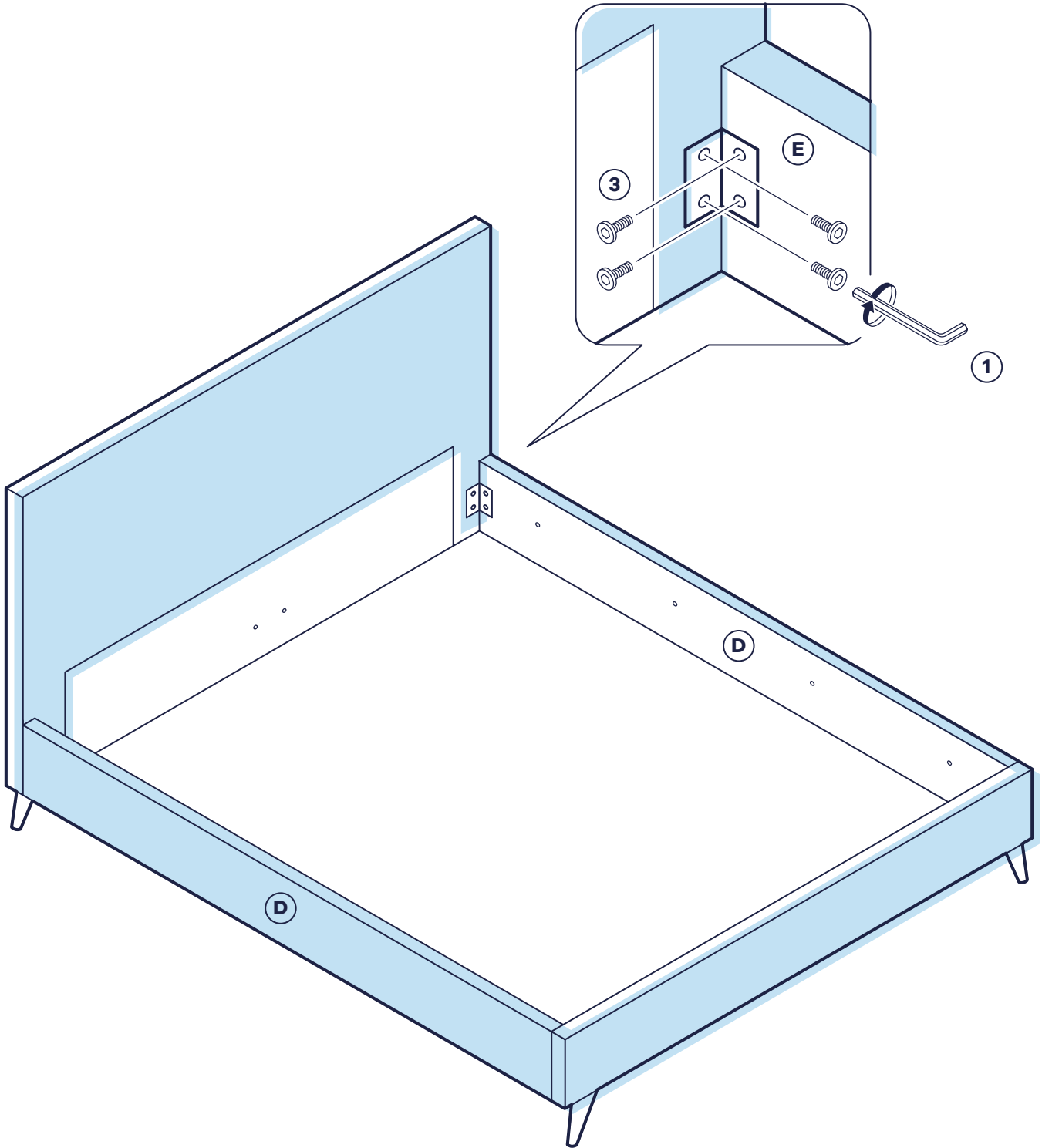


④ x2

1



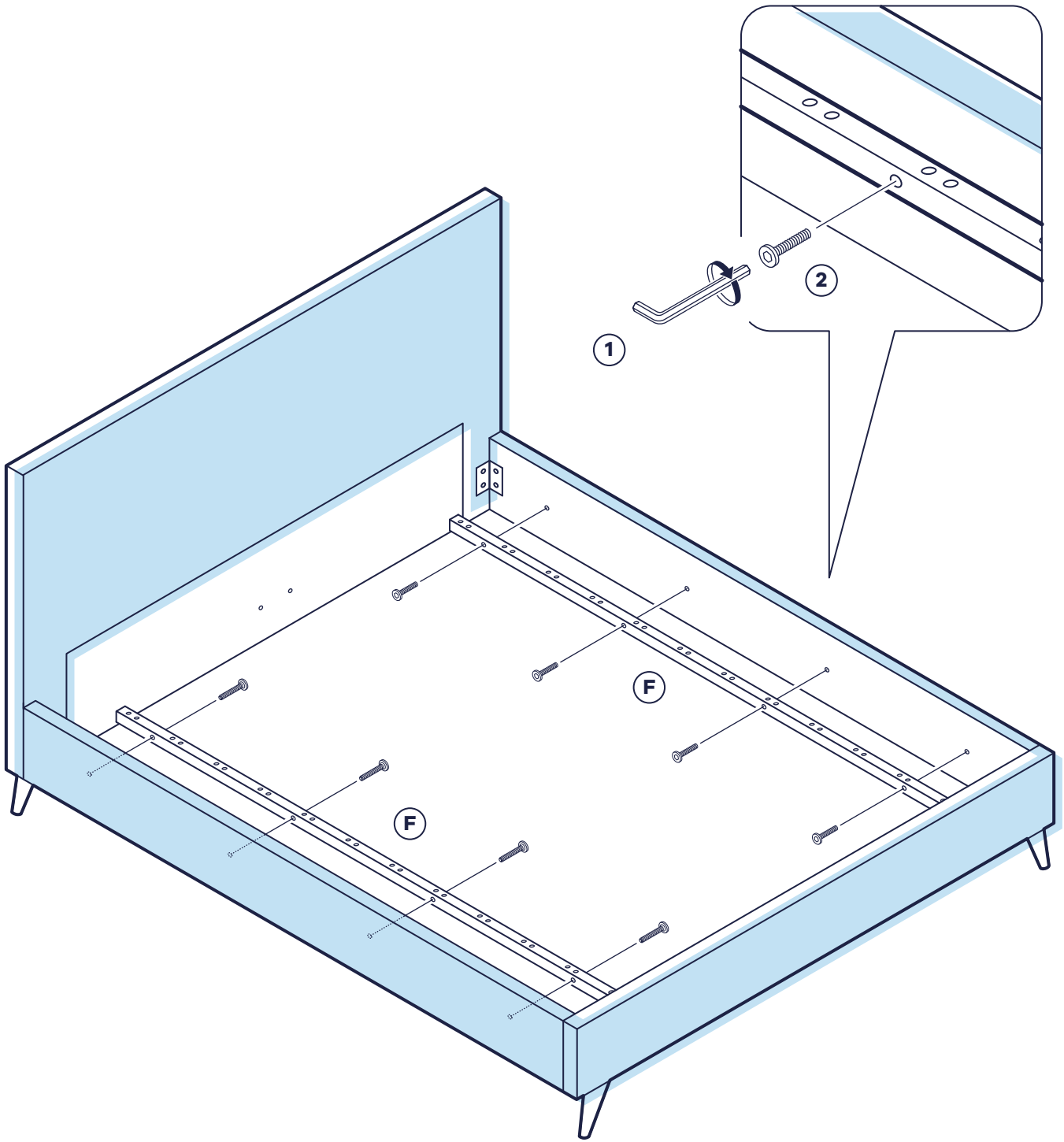
A x1 **B** x1 **C** x4 **2** x4



D x2

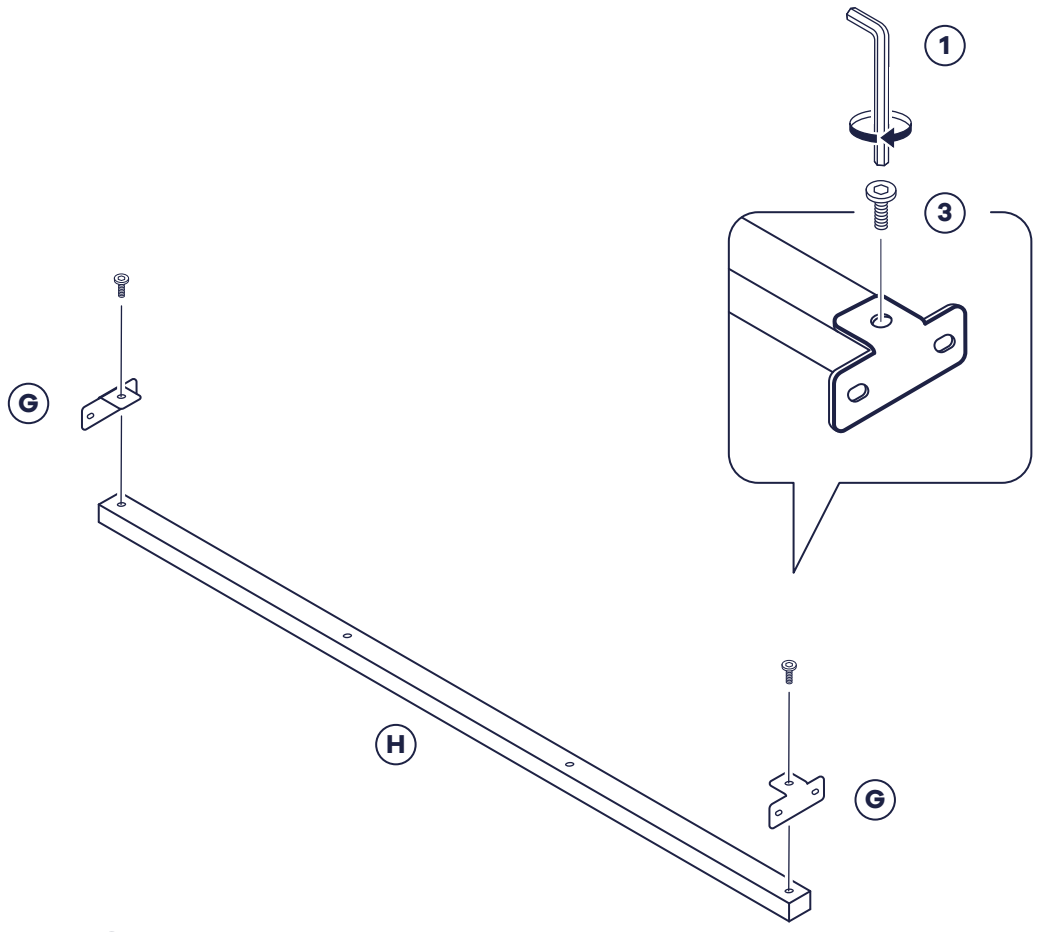
E x4

3 x16

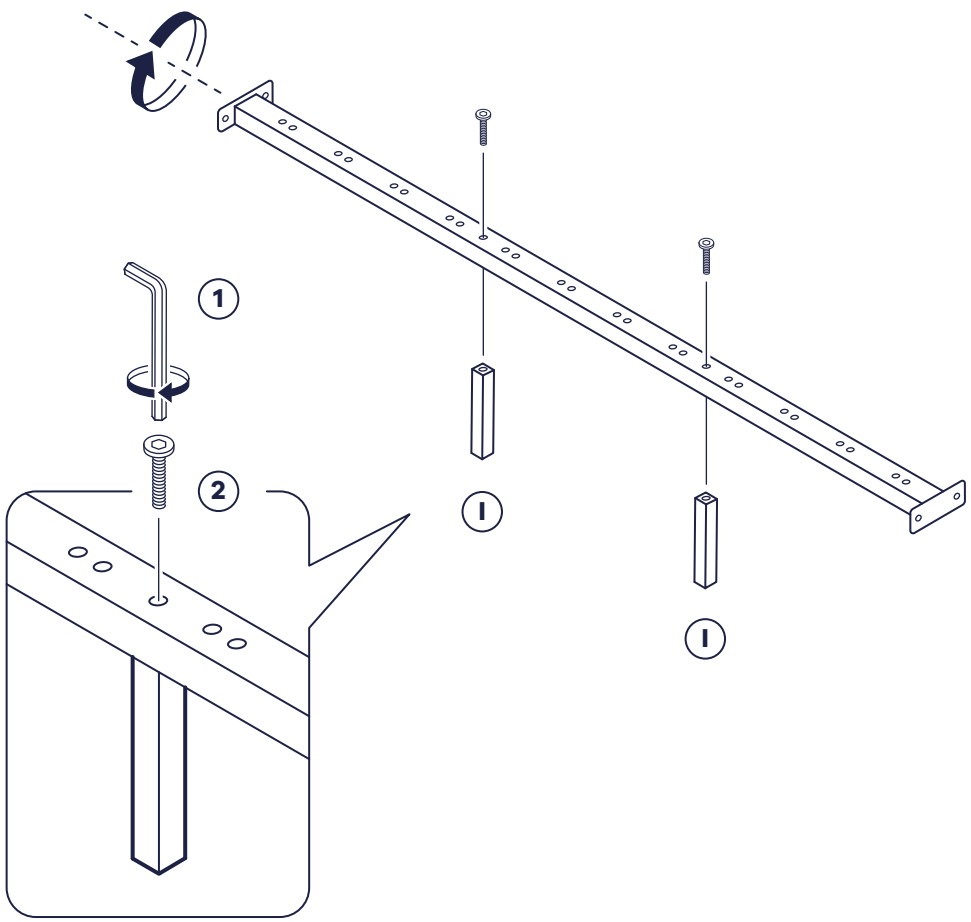


(F) x2 (2) x8

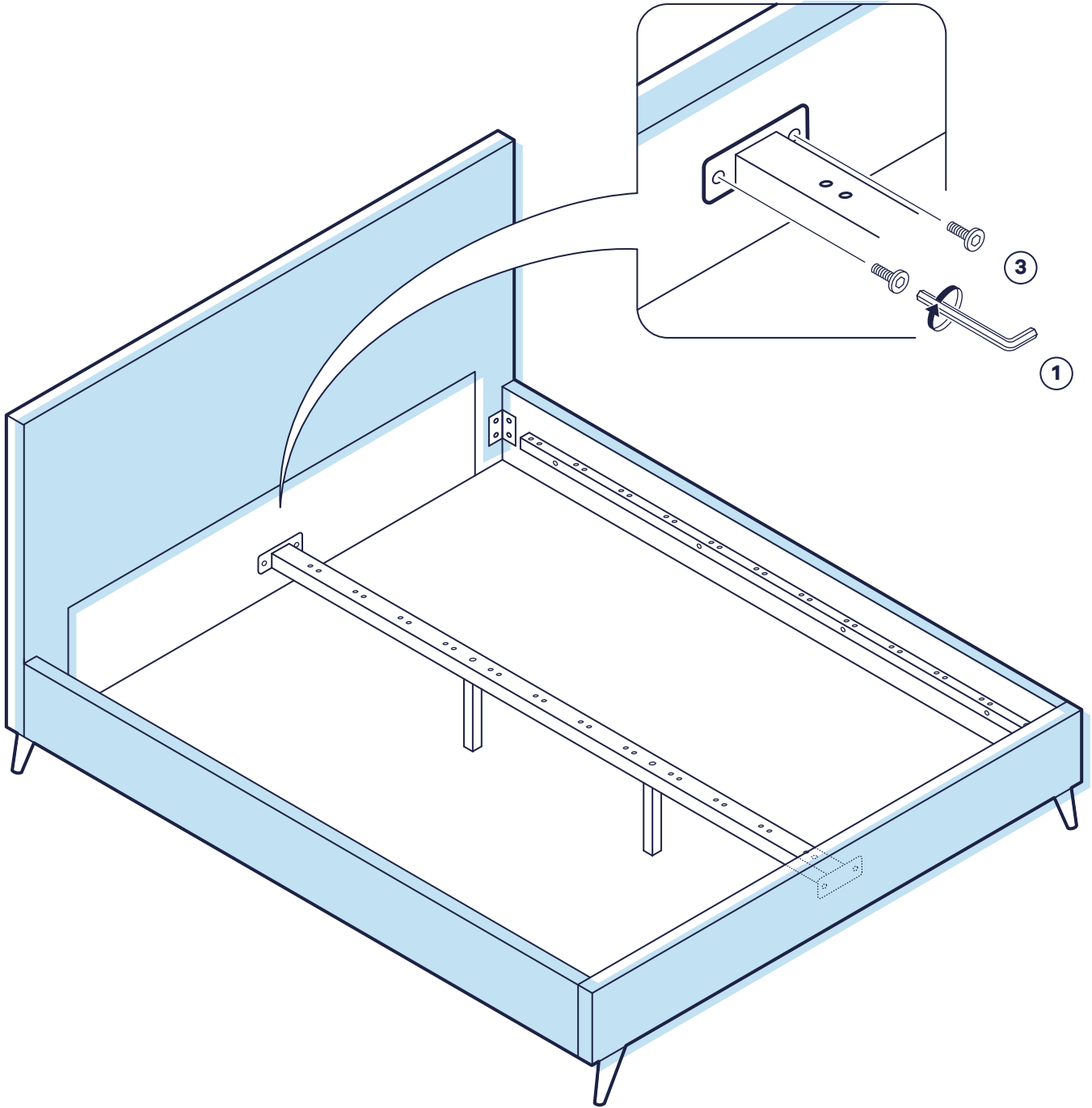
4



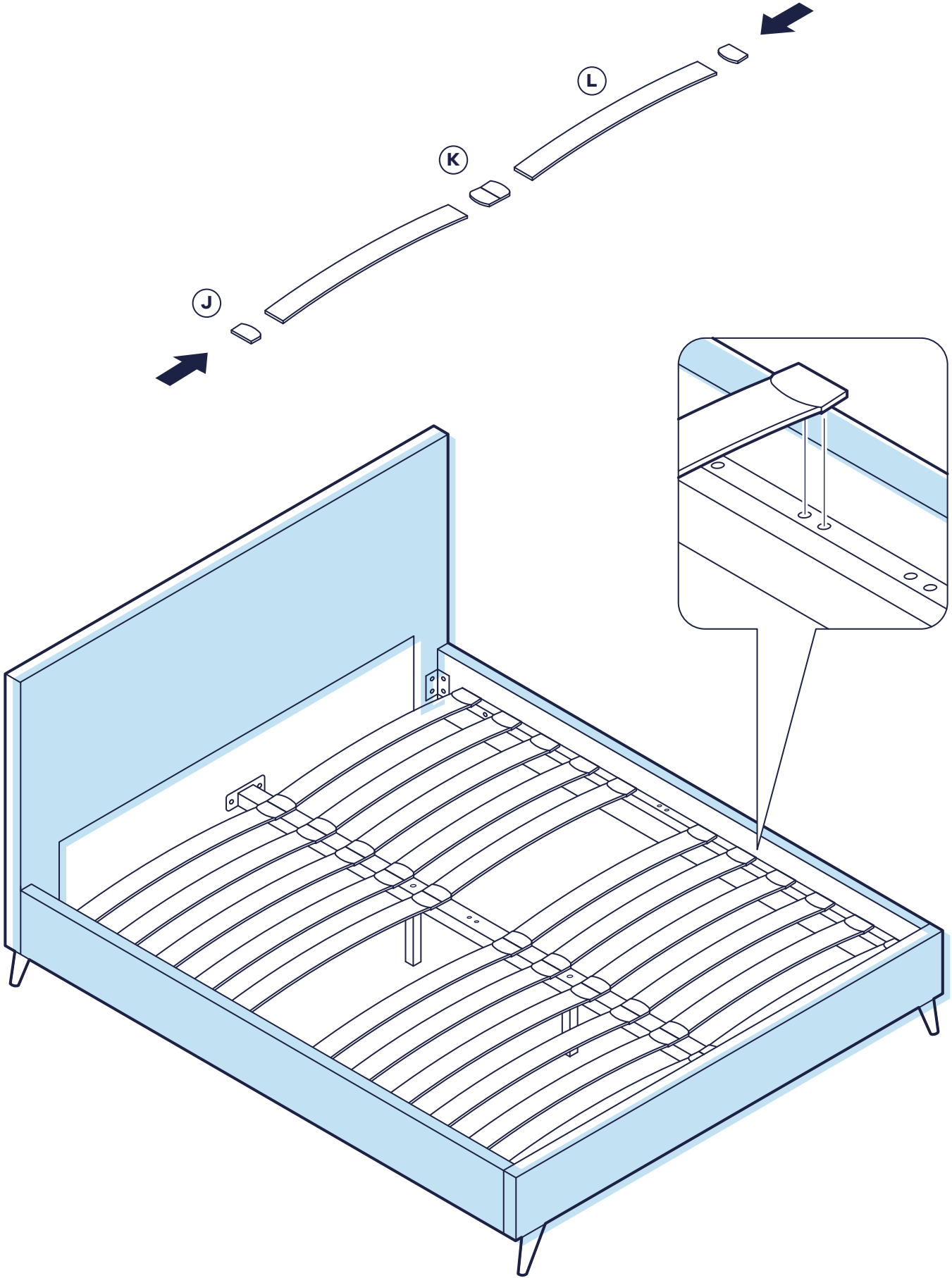
G x2 H x1 3 x2



I x2 2 x2

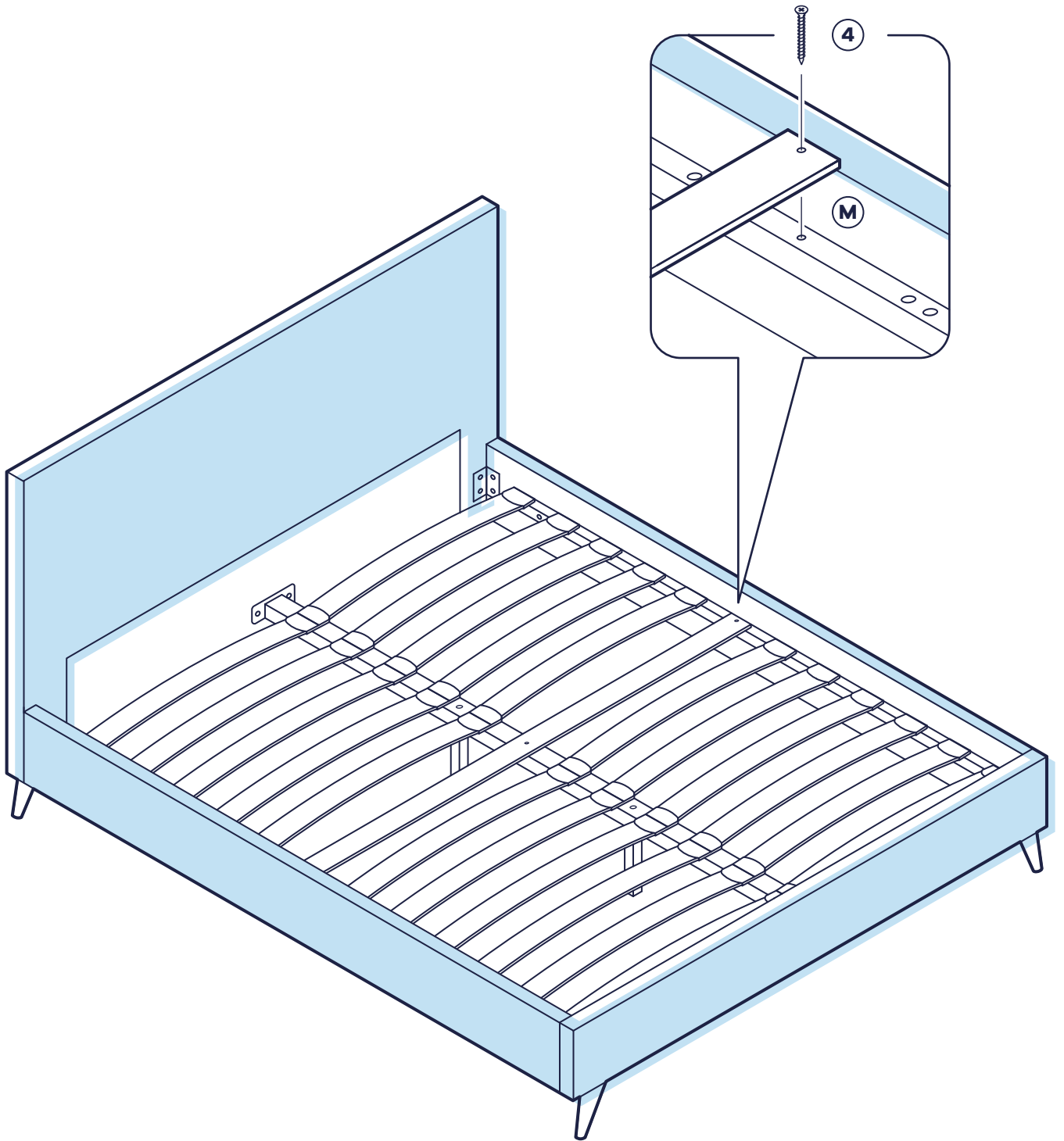


6



ⓐ x22 ⓑ x11 ⓒ x22

7



(L) x1

(4) x2





Well, nice job !

Now, let's get some sleep !