

Code: ZOM30c

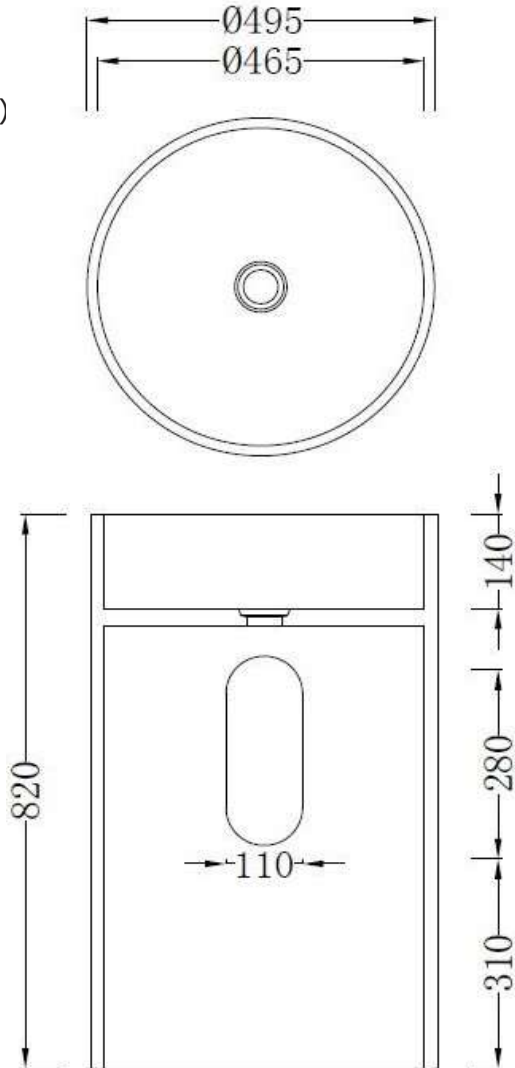
Material: Isostone - 70% Limestone Composite

Size: W 495 x D 495 x H 820 mm

Warranty: 10 Years

Features:

- Freestanding Basin
- Smooth matt white finish (gloss by custom order)
- Italian Design & Engineering
- Solid Material
- Suits 32mm waste (not included)
- Scratch and Stain resistance
- Repairable Material
- Australian Standard (SAI)
AS/NZS 3718:2003



MARGHERITA



Specifications:

- Crate size:
W 555 x D 555 x H 880 mm
- Gross Weight: 62.8Kg

The last bastion of privacy, a space of peace and tranquillity, your Bathroom. Enjoy the look and feel of our European Bathroom fittings and fixtures. Designed and made to the highest international standards.

