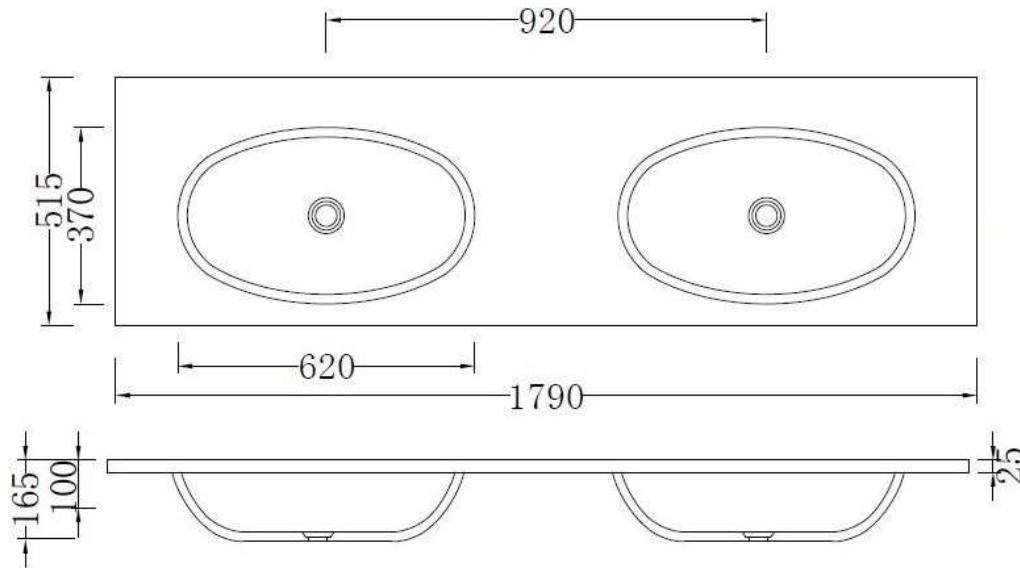


Code: ZOM25b
Material: Isostone - 70% Limestone Composite
Size: W 1790 x D 515 x H 165 mm
Warranty: 10 Years

Features:

- Wall Mount Basin
- Smooth matt white finish (gloss by custom order)
- Italian Design & Engineering
- Solid Material
- Suits 32mm waste (not included)
- Scratch and Stain resistance
- Repairable Material
- Australian Standard (SAI)
AS/NZS 3718:2003



ANGELICA



Specifications:

- Crate size:
W 1850 x D 575 x H 225 mm
- Gross Weight: 51Kg

The last bastion of privacy, a space of peace and tranquility, your Bathroom. Enjoy the look and feel of our European Bathroom fittings and fixtures. Designed and made to the highest International standards.

