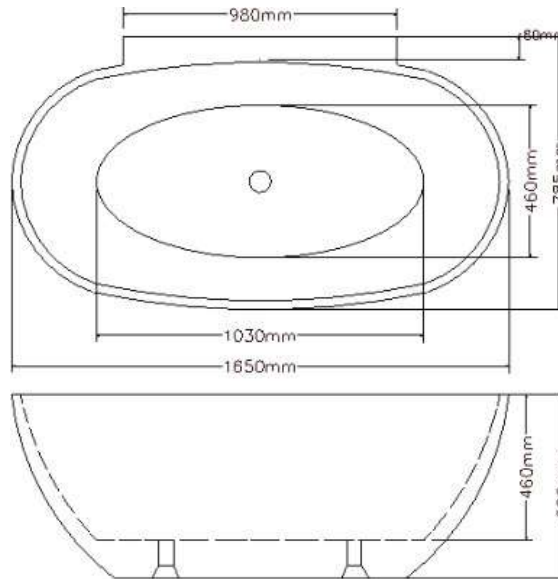


moda

CAST STONE BATH Erika Freestanding Bath



The last bastion of privacy, a space of peace and tranquility, your Bathroom.
Enjoy the look and feel of our European Bathroom fittings and fixtures.
Designed and made to the highest international standards.

- Code: ST-26
- 8mm Thick Acrylic reinforced with fibreglass
- 10yr Warranty
- Finish
 - Gloss
 - Matt
- Non Slip
- Adjustable galvanised metal legs for levelling
- 1mtr 40mm Flexible waste hose for easy installation
- Galvanised supporting under carriage
- Net Weight 65Kgs
- Crated size L+100, W+100, H+250mm
- Gross Weight 85kgs

Our Beautiful Acrylic Bath Series are constructed of 8mm thick are smooth and silky to the touch.



As part of MODA commitment to quality products. Information provided in this data sheet is representative of the actual product available at the time of printing. Due to our commitment to continuous product design and development, the designs and specifications depicted are subject to change without notice. Please confirm all particulars with your MODA sales consultant prior to purchase. Each product is covered by a limited warranty. Please see our website for full terms and conditions. This drawing remains the property of MODA and should not be copied or distributed without MODA consent. ©2010 All Dimensions are approximate in mm and are not to scale and can be changed without notice.

www.modabathware.com