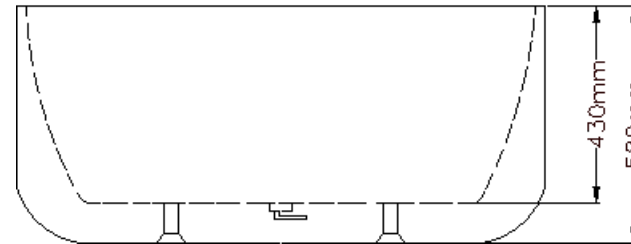
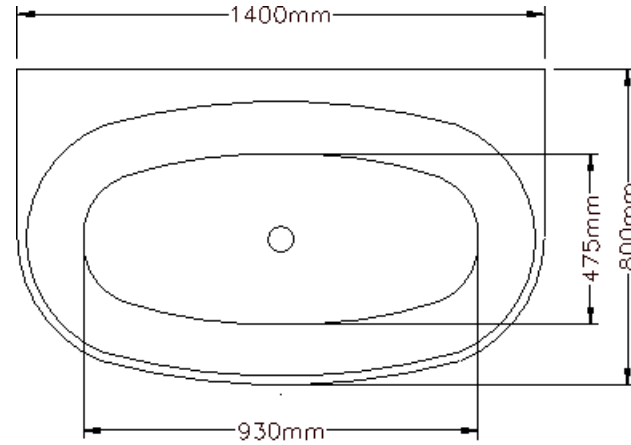


moda

Acrylic BATH CAST STONE BATH



- Code: ST-10D
- 8mm Thick Acrylic reinforced with fibreglass
- 10yr Warranty
- Smooth gloss white finish
- Non Slip
- Polished chrome popup waste kit installed
- Adjustable galvanised metal legs for levelling
- 1mtr 40mm Flexible waste hose for easy installation
- Galvanised supporting under carriage
- Net Weight 70Kgs
- Crated size L+100, W+100, H+250mm
- Gross Weight 85kgs



Our Beautiful
Acrylic Bath
Series are
constructed of
8mm thick are
smooth and silky
to the touch.

The last bastion of privacy, a space of peace and tranquility, your Bathroom.
Enjoy the look and feel of our European Bathroom fittings and fixtures.
Designed and made to the highest International standards.



As part of MODA commitment to quality products. Information provided in this data sheet is representative of the actual product available at the time of printing. Due to our commitment to continuous product design and development, the designs and specifications depicted are subject to change without notice. Please confirm all particulars with your MODA sales consultant prior to purchase. Each product is covered by a limited warranty. Please see our website for full terms and conditions. This drawing remains the property of MODA and should not be copied or distributed without MODA consent. © 2010 All Dimensions are approximate in mm and are not to scale and can be changed without notice.

www.modabathware.com