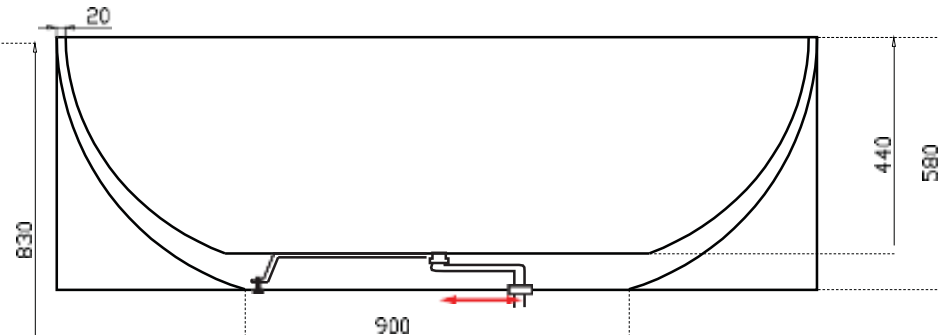
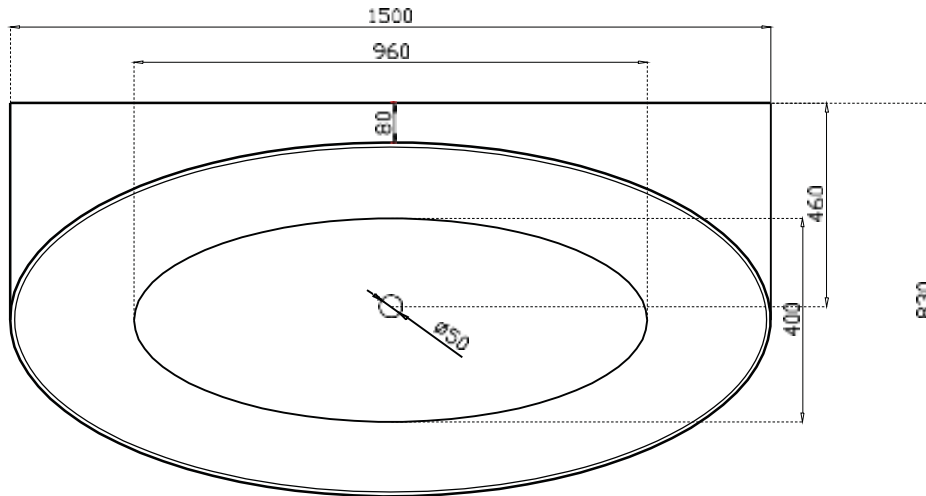


Features:

- Unique Back to Wall Design
- Seamless Technology
- Italian Design & Engineering
- Pop Up Waste - Installed
- 40mm Flexible Hose for Easy Installation
- Galvanised Metal Base Support
- Adjustable Leg Height For Levelling
- Nonslip smooth gloss white finish
- Australian Standard (SAI) AS/NZS 3718:2003

Pablo



Specifications:

- Net Weight: 70 Kg
- Crate size:
L 1600, W 930, H 830mm
- Gross Weight: 95Kg
- Reasonable Manufacturing Tolerances Apply

The last bastion of privacy, a space of peace and tranquility, your Bathroom. Enjoy the look and feel of our European Bathroom fittings and fixtures. Designed and made to the highest international standards.

