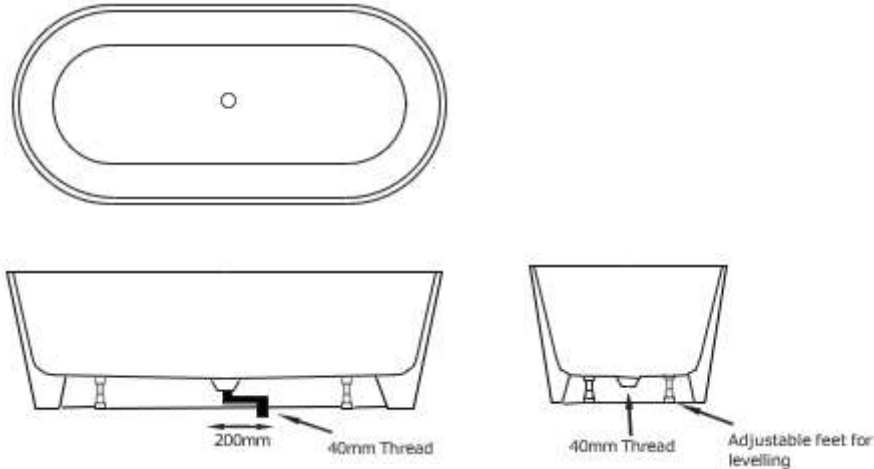


Please Note:

This is an installation guide only, it is recommended to have the bath on site before commencing installation rough in. Installation must be done by a licensed professional



Important Features

- 1: Built in 40mm chrome waste
- 2: Under cavity for convenience
- 3: Galvanised metal support legs
- 4: Adjustable height feet
- 5: 40mm flexible drain hose included with 40mm female thread connection, extendable to 1m

Installation

- 1: The bath must be installed on an appropriately supported level floor.
- 2: Offset of waste is recommended at 200mm, optional flexible drainage hose is provided, with 40mm female threaded connection (can be extended to 1 metre).
- 3: Bath can be lowered into position once flexi hose is attached. Hard plumbing may require access from underneath.
- 4: When levelling ensure the weight of the bath is applied to the legs and not the bath surround itself
- 5: Water testing bath is recommended during installation
- 6: Silicone under surround optional for water penetration and security

The last bastion of privacy, a space of peace and tranquility, your Bathroom. Enjoy the look and feel of our European Bathroom fittings and fixtures. Designed and made to the highest International standards.

