

**Code :** B-195

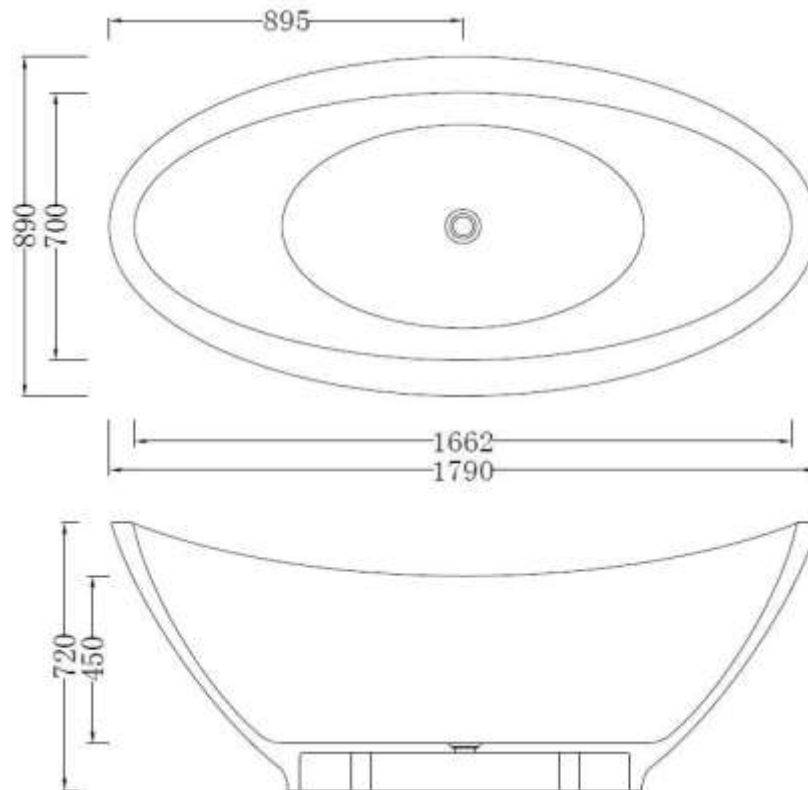
**Material:** Isostone - 70% Limestone Composite

**Size:** W 1790 x D 890 x H 720 mm

**Warranty:** 10 Years

**Features:**

- Freestanding Bath
- Smooth matt white finish (gloss by custom order)
- Italian Design & Engineering
- Solid Material (**All White only**)
- Suits 40mm waste
- Scratch and Stain resistance
- Repairable Material
- Australian Standard (SAI)  
AS/NZS 3718:2003



## AMBER



**Specifications:**

- Crate size:  
W 1920 x D 1020 x H 915 mm
- Gross Weight: 272Kg

The last bastion of privacy, a space of peace and tranquility, your Bathroom. Enjoy the look and feel of our European Bathroom fittings and fixtures. Designed and made to the highest international standards.

