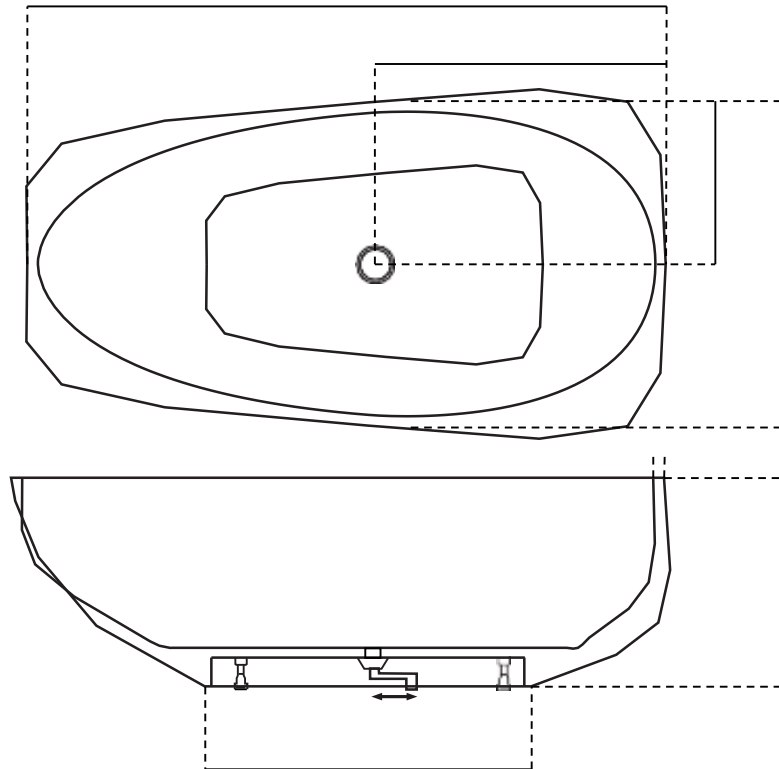


**Code:** A-123A  
**Material:** Isostone - 70% Limestone Composite  
**Size:** W 1500 x D 760 x H 540 mm  
**Warranty:** 10 Years

**Features:**

- Smooth solid matt white finish (gloss by custom order)
- Italian Design & Engineering
- Superior Heat Retention
- Pop Up Waste - Installed
- 1mtr Flexible Drain Hose for Easy Installation (DN40)
- Galvanised Metal Base Support
- Adjustable Leg Height For Levelling
- Scratch and Stain resistance
- Repairable Material
- Australian Standard (SAI)  
AS/NZS 3718:2003



## Lucia



**Specifications:**

- Net Weight: 130Kg
- Crate size:  
L 1600, W 860, H 740mm
- Gross Weight: 160Kg

The last bastion of privacy, a space of peace and tranquility, your Bathroom. Enjoy the look and feel of our European Bathroom fittings and fixtures. Designed and made to the highest international standards.

