

**Code:** A-120B

**Material:** Isostone - 70% Limestone Composite

**Size:** W 1600 x D 700 x H 580 mm

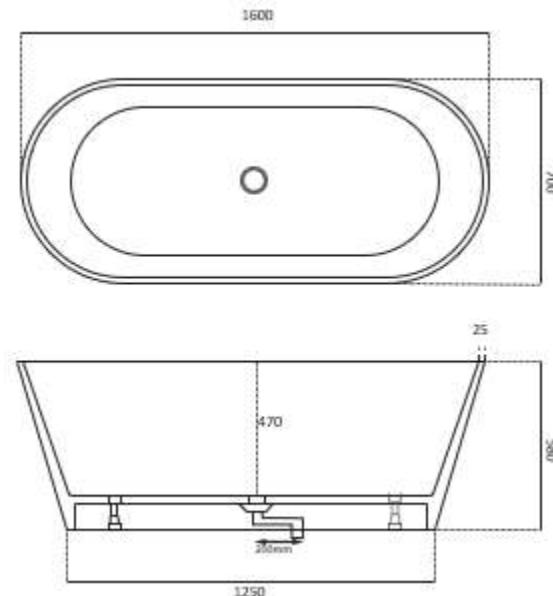
**Warranty:** 10 Years

## Rosa



### Features:

- Smooth solid matt white finish (gloss by custom order)
- Italian Design & Engineering
- Superior Heat Retention
- Pop Up Waste - Installed
- 1mtr Flexible Drain Hose for Easy Installation (DN40)
- Galvanised Metal Base Support
- Adjustable Leg Height For Levelling
- Scratch and Stain resistance
- Repairable Material
- Australian Standard (SAI) AS/NZS 3718:2003



### Specifications:

- Net Weight: 145Kg
- Crate size:  
L 1700, W 800, H 830mm
- Gross Weight: 175Kg

The last bastion of privacy, a space of peace and tranquility, your Bathroom. Enjoy the look and feel of our European Bathroom fittings and fixtures. Designed and made to the highest international standards.

