

moda

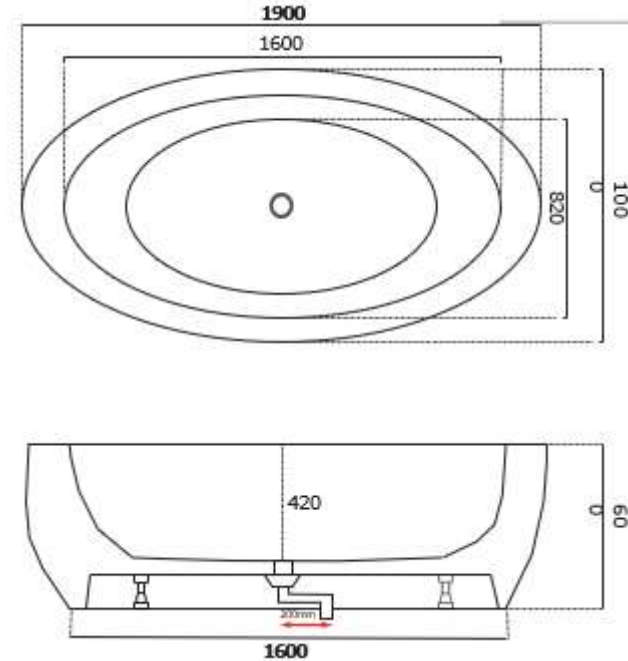
Code: A-119B

Material: Isostone - 70% Limestone Composite

Size: W 1900 x D 1000 x H 600 mm

Warranty: 10 Years

CELLA Heavy



Features:

- Smooth solid matt white finish (gloss by custom order)
- Italian Design & Engineering
- Superior Heat Retention
- Pop Up Waste - Installed
- 1mtr Flexible Drain Hose for Easy Installation (DN40)
- Galvanised Metal Base Support
- Adjustable Leg Height For Levelling
- Scratch and Stain resistance
- Repairable Material
- Australian Standard (SAI) AS/NZS 3718:2003

Specifications:

- Net Weight: 200Kg
- Crate size:
L 2000, W 1100, H 800mm
- Gross Weight: 230Kg

The last bastion of privacy, a space of peace and tranquility, your Bathroom. Enjoy the look and feel of our European Bathroom fittings and fixtures. Designed and made to the highest international standards.



www.modabathware.com