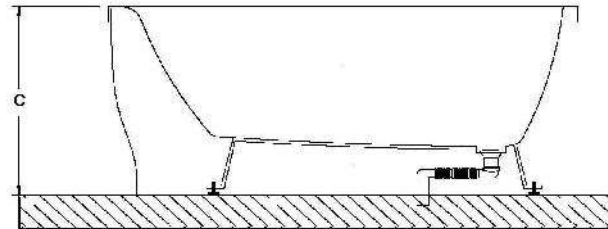
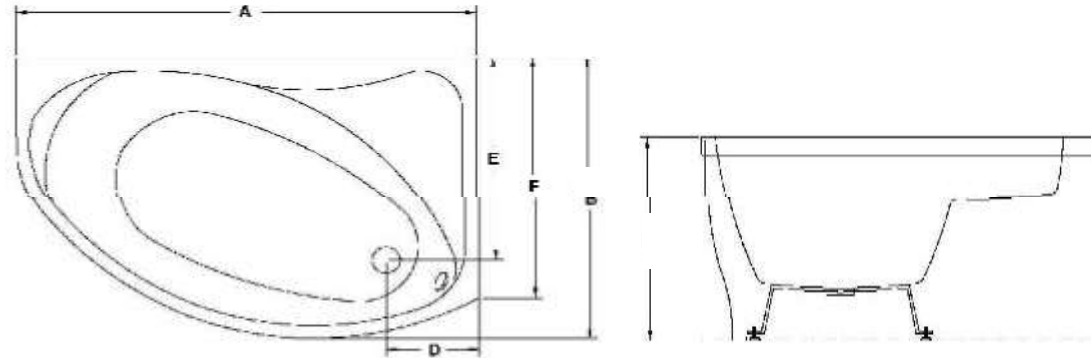


ANGOLO FREESTANDING BATH



Our Beautiful Freestanding Bath Series are constructed of 8mm thick reinforced acrylic are non slip and smooth to the touch.

- Code: A-046R
- 8mm Acrylic reinforced with fibreglass
- 10yr Warranty
- Smooth gloss white finish
- Non Slip
- Polished chrome popup waste and overflow kit in:
- Adjustable galvanised metal legs for levelling
- 1mtr 40mm Flexible waste hose for easy installati
- Galvanised supporting under carriage
- Net Weight Kgs – See Table
- Crated size L+100, W+100, H+250mm
- Gross Weight +25kgs
- Australian Standard (SAI)
- AS/NZS 3718:2003

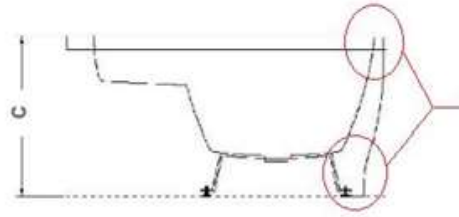
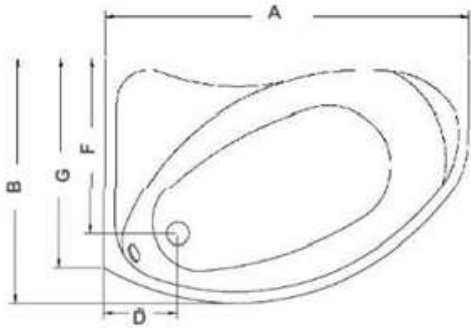


Model	A-046R							Weight
Size	A	B	C	D	E	F	G	
	1300	850	580	850	450	200	750	45kg

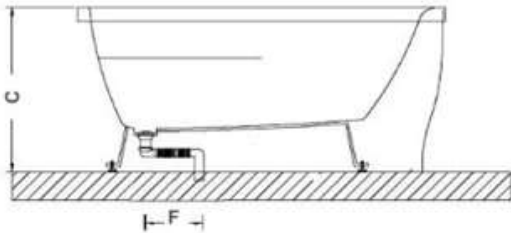
The last bastion of privacy, a space of peace and tranquility, your Bathroom. Enjoy the look and feel of our European Bathroom fittings and fixtures. Designed and made to the highest international standards.



moda



10-20mm gap behind bath. Please build hob for bath to sit hard up against wall.



Model	A-046L						Weight	
Size	A	B	C	D	E	F		G
	1300	850	580	650	450	200	750	45kg

- Code: A-046L
- 8mm Acrylic reinforced with fibreglass
- 10yr Warranty
- Smooth gloss white finish
- Non Slip
- Polished chrome popup waste and overflow kit installed
- Adjustable galvanised metal legs for levelling
- 1mtr 40mm Flexible waste hose for easy installation
- Galvanised supporting under carriage
- Net Weight Kgs – See Table
- Crated size L+100, W+100, H+250mm
- Gross Weight +25kgs
- Australian Standard (SAI)
- AS/NZS 3718:2003

As this bath is beautifully curved at the front there is a 15mm to 20 mm gap at the top and bottom of the bath.

You might need to build a small ledge or hob to cater the back sides of the bath. This varies in each bath. A ledge or hob needs to be catered for that gap.

Ledge thickness is determined accordingly to the bath gap allows.

The last bastion of privacy, a space of peace and tranquility, your Bathroom. Enjoy the look and feel of our European Bathroom fittings and fixtures. Designed and made to the highest International standards.



As part of MODA commitment to quality products. Information provided in this data sheet is representative of the actual product available at the time of printing. Due to our commitment to continuous product design and development, the designs and specifications depicted are subject to change without notice. Please confirm all particulars with your MODA sales consultant prior to purchase. Each product is covered by a limited warranty. Please see our website for full terms and conditions. This drawing remains the property of MODA and should not be copied or distributed without MODA consent. © 2010 All Dimensions are approximate in mm and are not to scale and can be changed without notice.

www.modabathware.com