



OTTO'S

---

# GRILL STAND

---



## ASSEMBLY INSTRUCTIONS

Grill stand and storage space for The Otto Grill

# WELCOME TO THE FAMILY



## **THE OTTO GRILL STAND**

Congratulations on your purchase of Otto Wilde's Storage Module and thank you for becoming a part of the grill revolution. With our Storage Module the name says it all. They are the perfect option for storing all of your grilling and outdoor accessories. Much like you find inside in the kitchen, Otto offers you the option of a cabinet for storing your larger items or a set of drawers for those smaller items. With its 100% stainless steel construction it's the perfect option to keep you organized and from having to run into the house to get something. The best part is the spacious counter top that can easily be wiped clean due to it also being made of high-grade stainless steel. Many of the features were developed with the help of the greatest community in the world, and now you're a part of this community. Thank you for joining the family.

Your Otto Wilde Team

# SCOPE OF DELIVERY

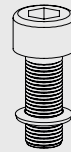
## CORE

Here is a list of parts that are exemplary for your S24. Quickly check that all the pieces are there and use the screws supplied.



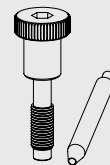
**A**

32x M5X12 Screw



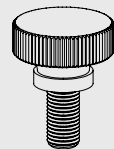
**C**

16x M6 X16 Schraube



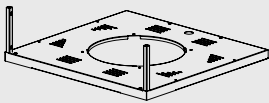
**G**

4x Module Connector Screw



**D**

4x M5 X10 Screw



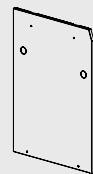
1x Base



1x Back



1x Side Wall Right



1x Side Wall Left

### TOOLS YOU WILL NEED

! Start all screws by hand first and then finishing tightening with the tool provided or similar.



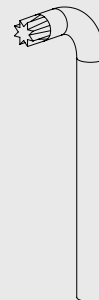
**J<sup>1</sup>**

1x Hex Key



**J<sup>2</sup>**

1x Torx Key TX20

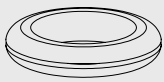


**J<sup>3</sup>**

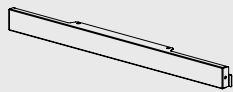
1x Torx Key TX15



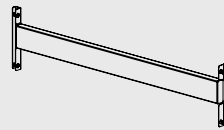
**PLEASE  
ONLY  
USE THE  
MARKED  
SCREWS.**



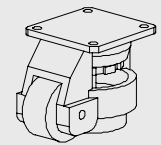
1x Rubber Protect Ring



1x Cross Brace Top



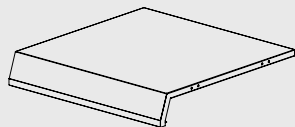
1x Cross Brace



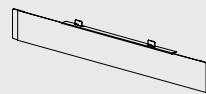
4x Adjustable Castor



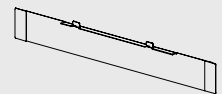
1x Base Closure



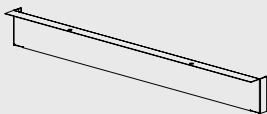
1x Counter Top



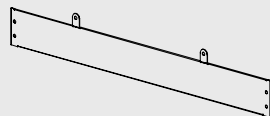
1x Toeboard Left



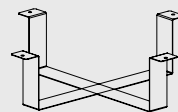
1x Toeboard Right



1x Toeboard Front



1x Toeboard Back

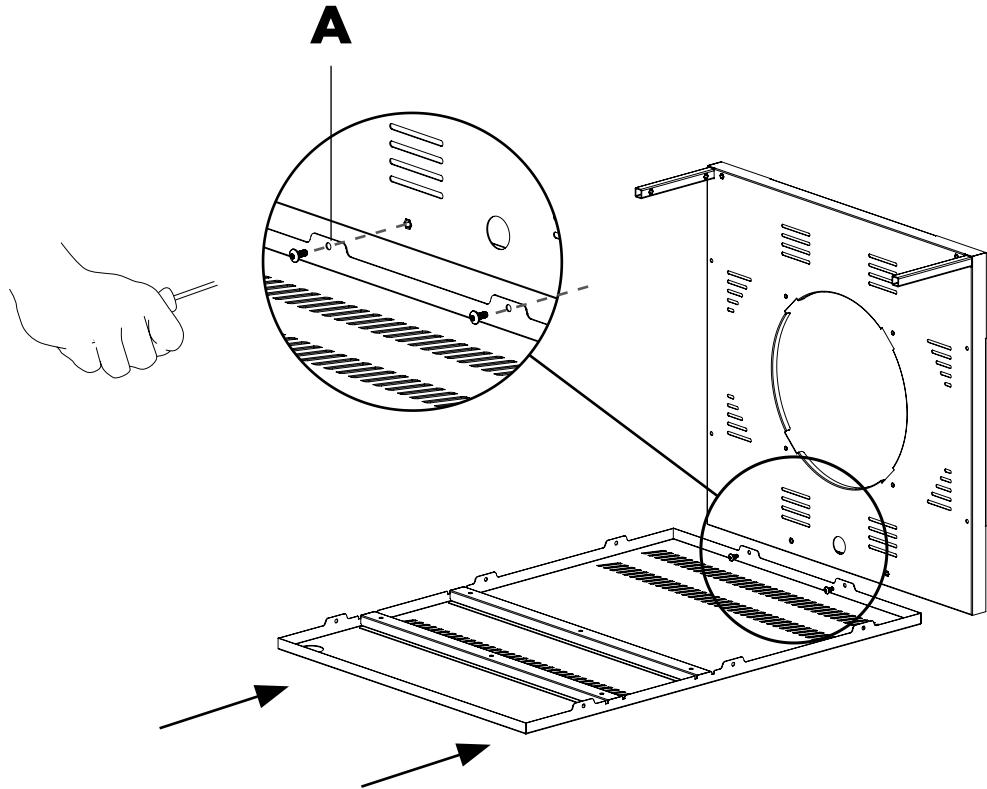
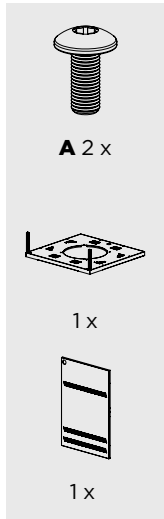


1x Gas Bottle Basket

# ASSEMBLY

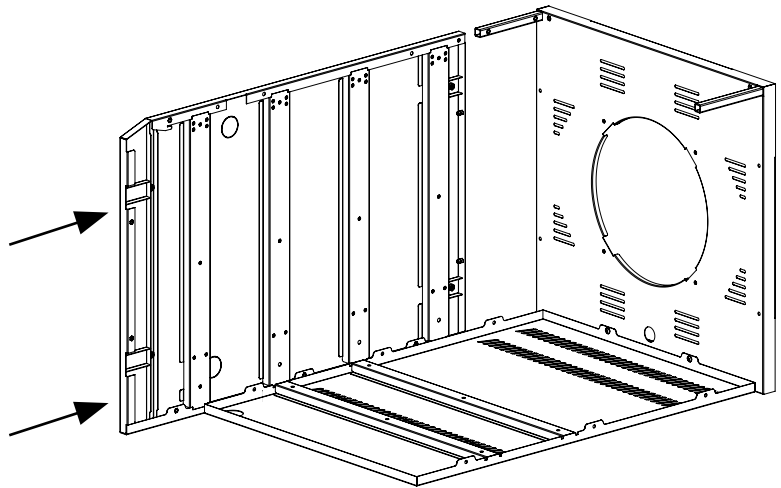
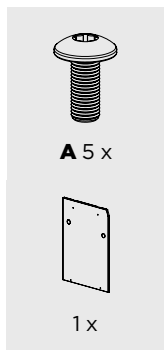
## CORE

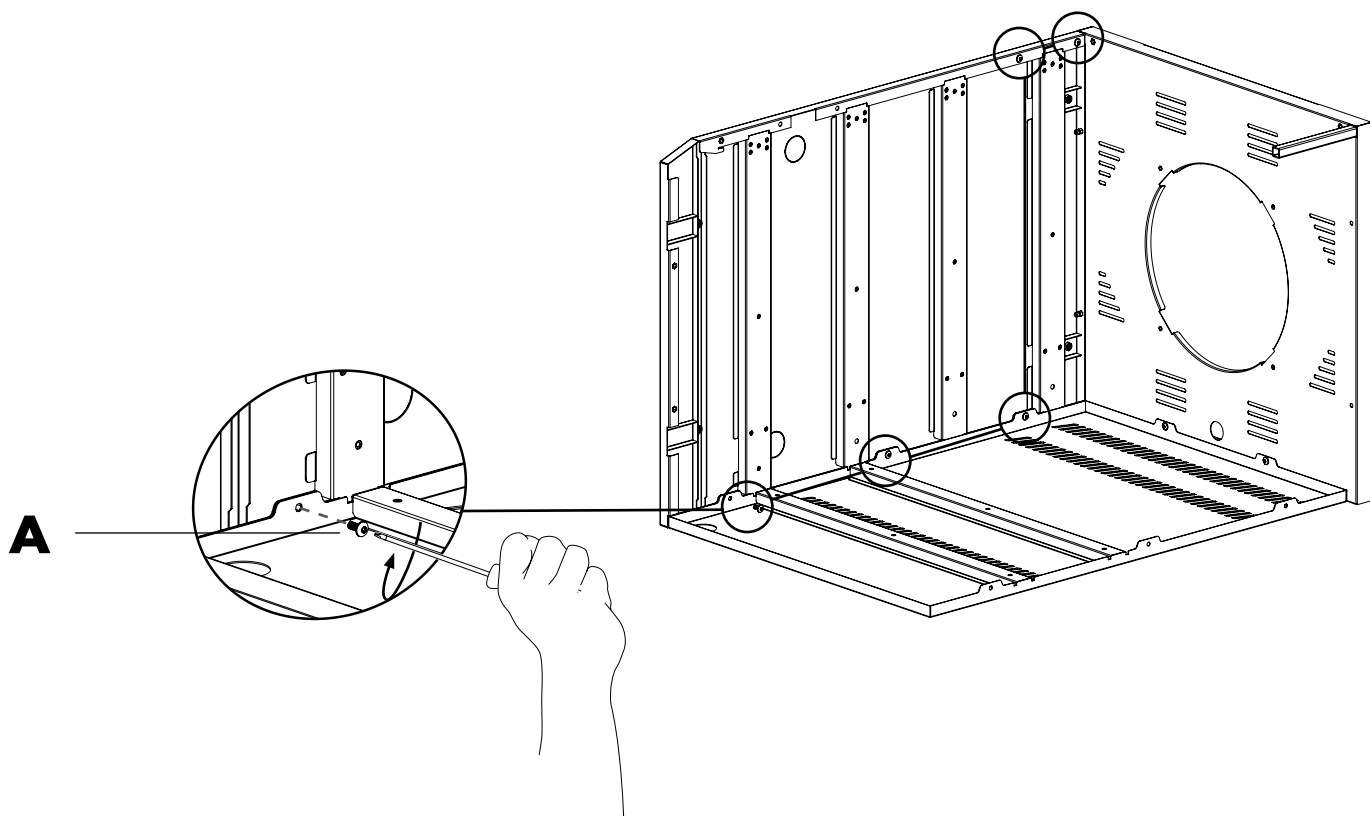
1



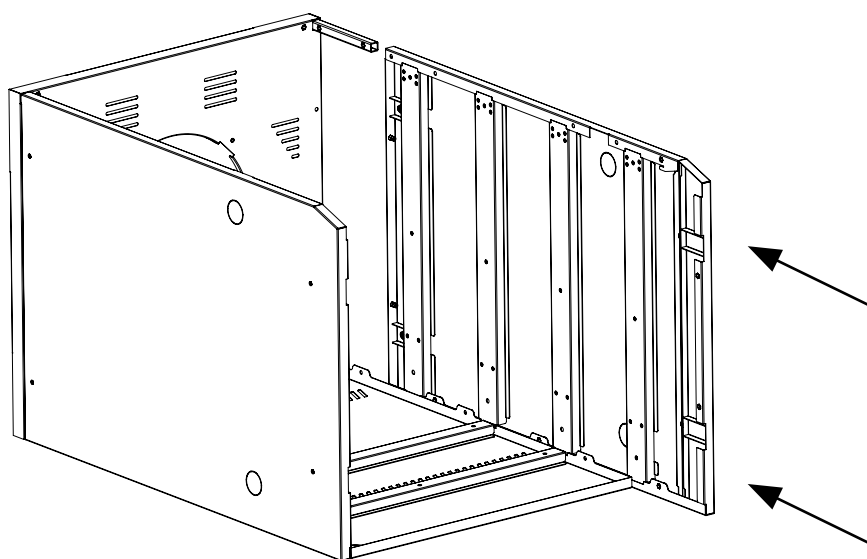
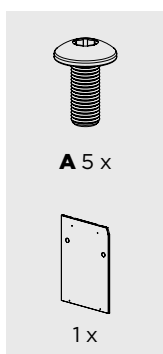
If you want to install drawers in your module, we recommend you install the rails before this step.

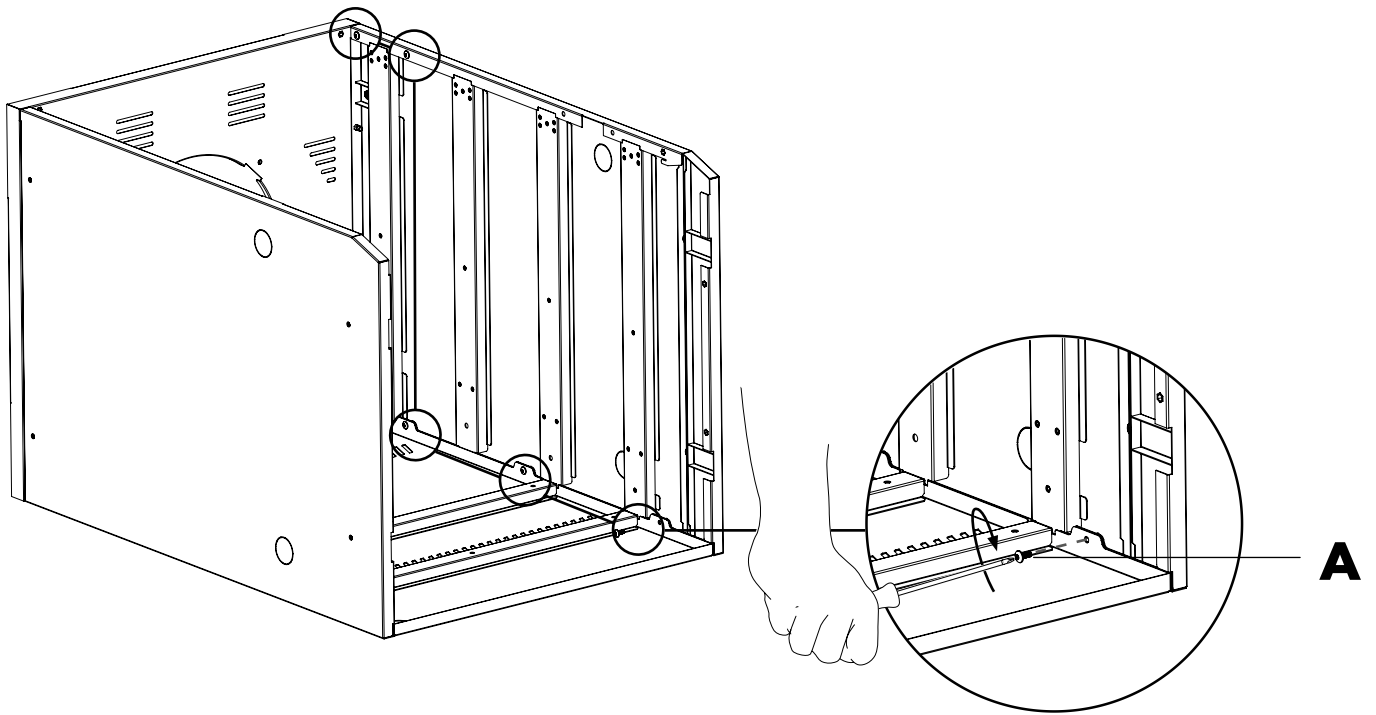
2



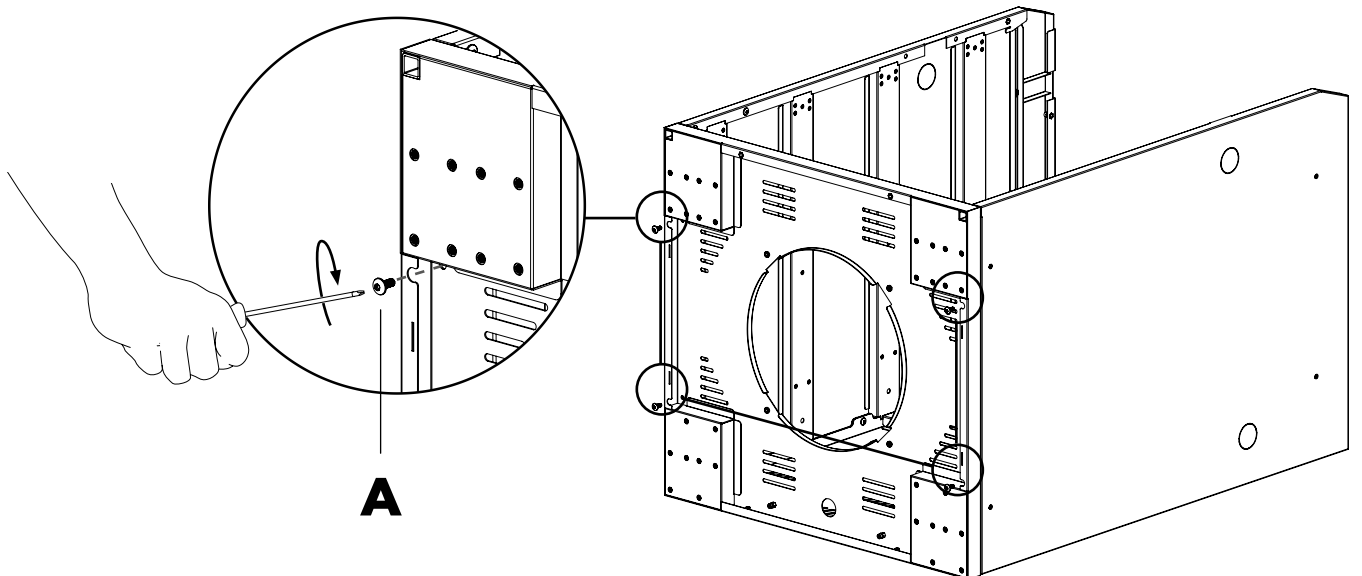
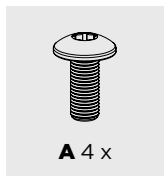


**3**





**4**

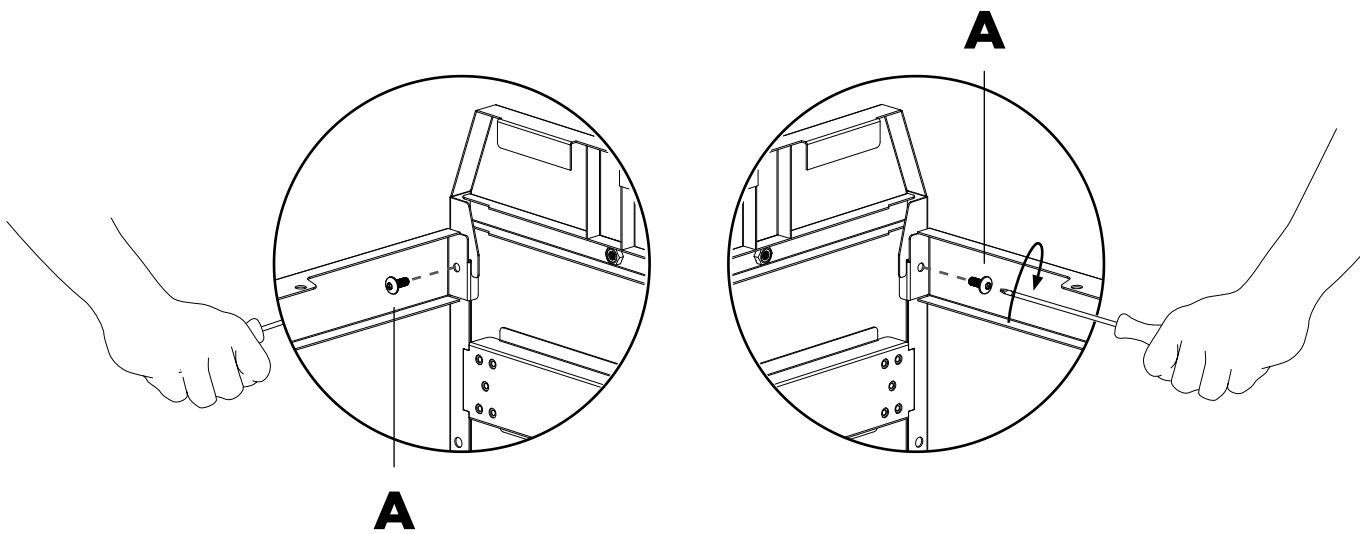
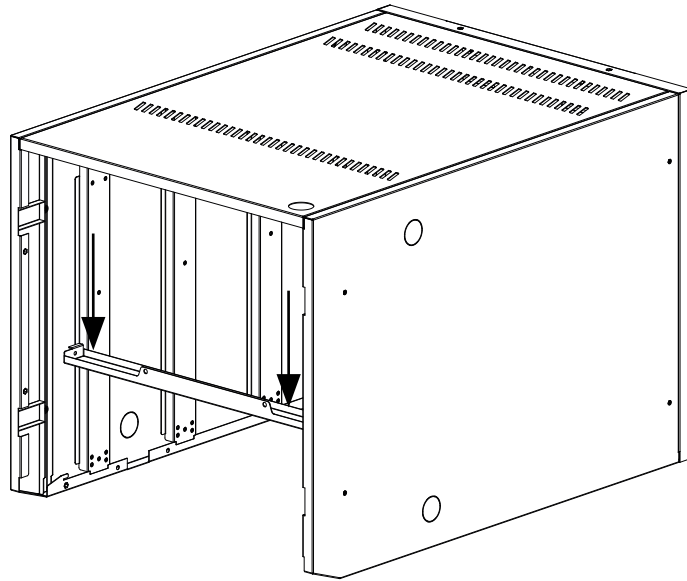
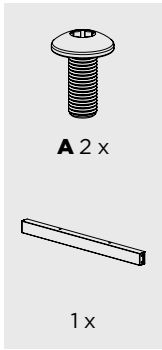




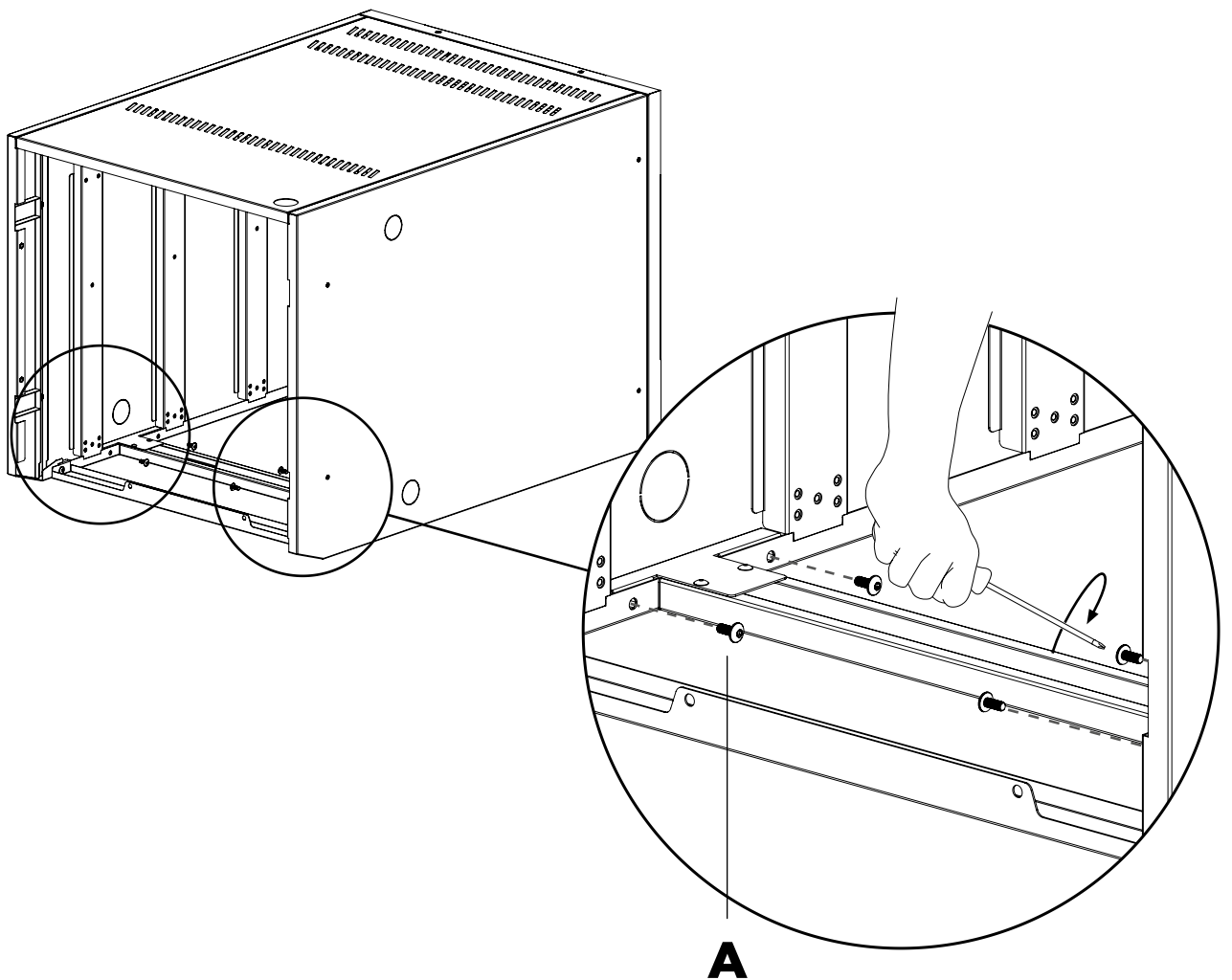
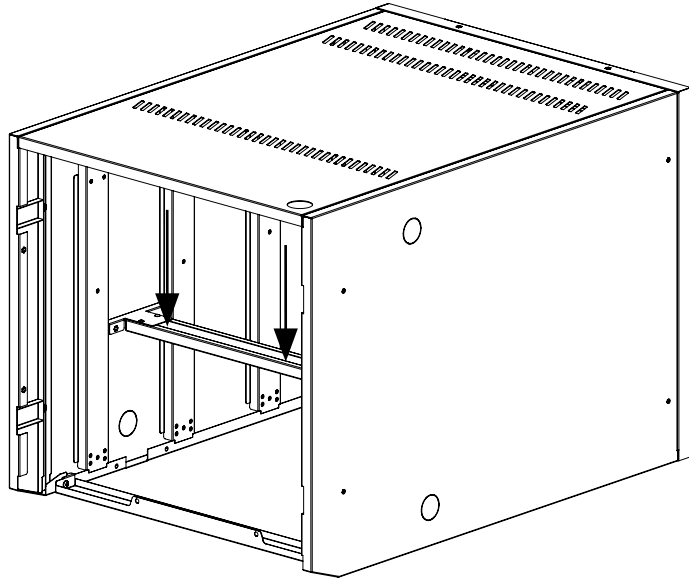
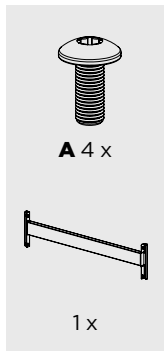
# ASSEMBLY

## CROSS BRACES

1



**2**



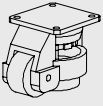
# ASSEMBLY

## CASTORS

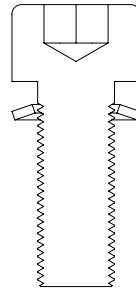
1



C 16 x

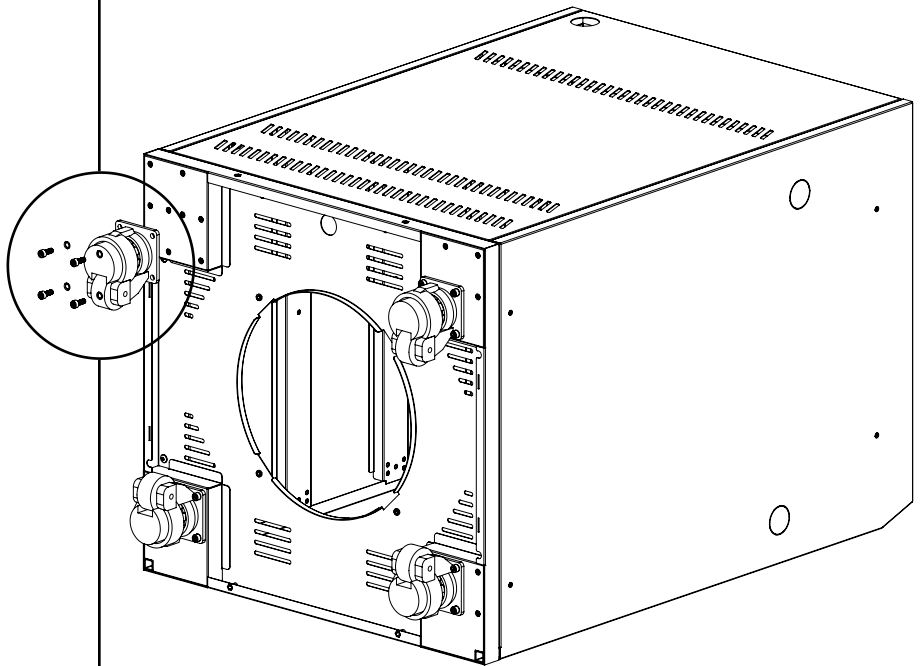
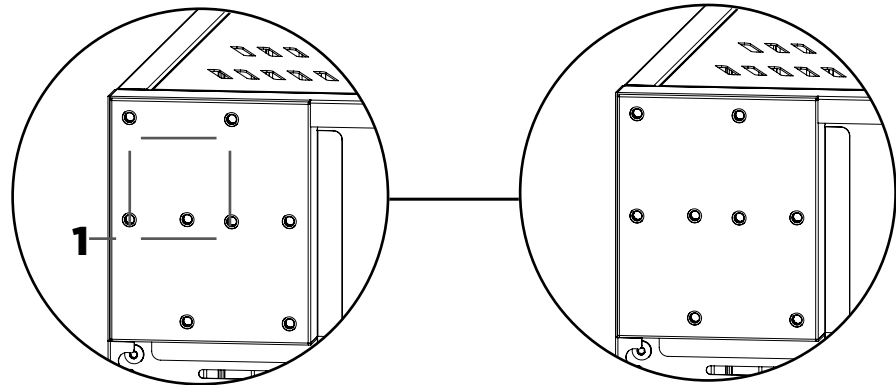


4 x

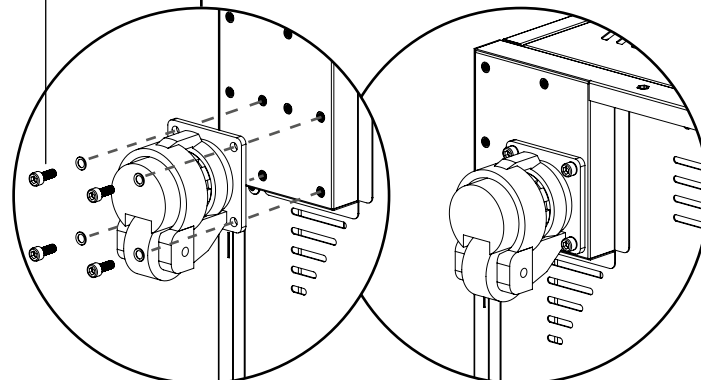
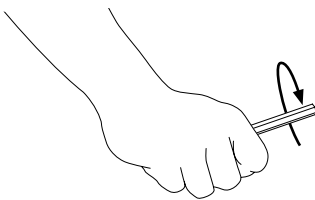


Be sure to place the washers on the screws as shown here in order to ensure proper fastening of the castors.

For mobile use use these mounting holes (1) and for stationary installation these mounting holes (2).



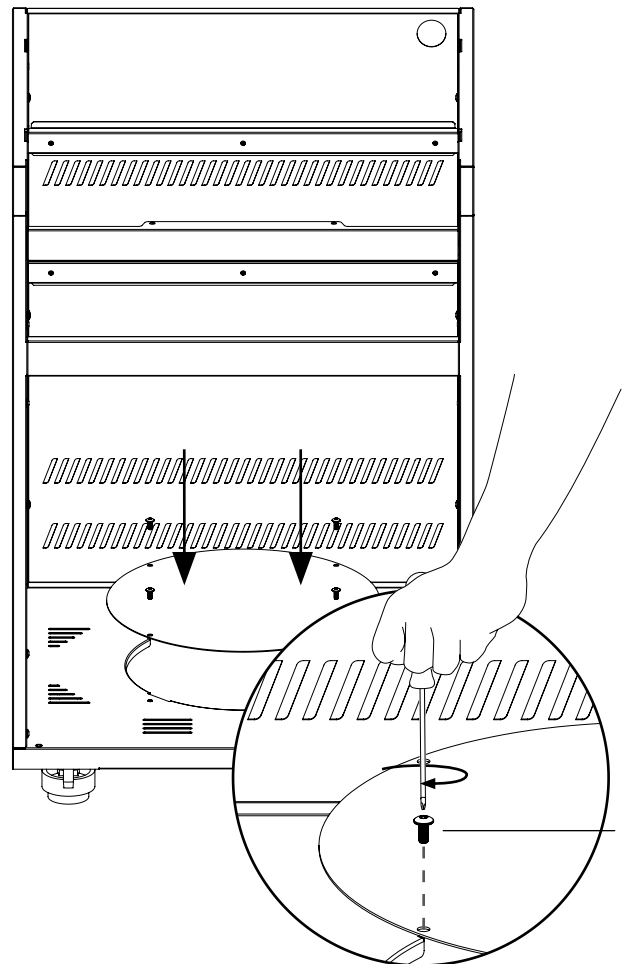
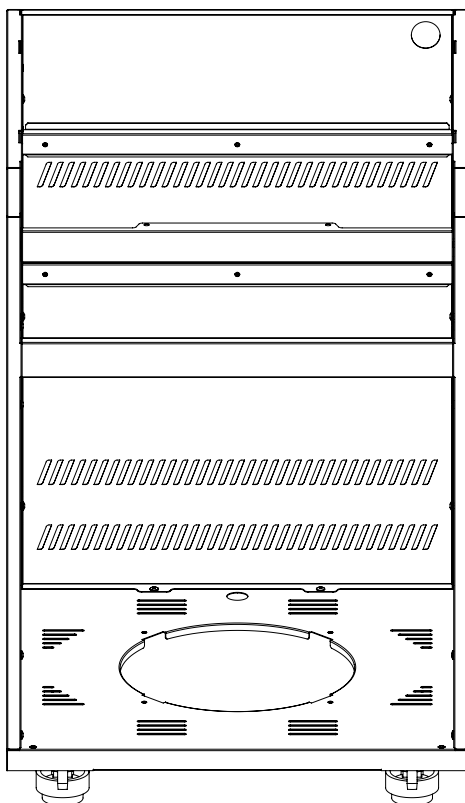
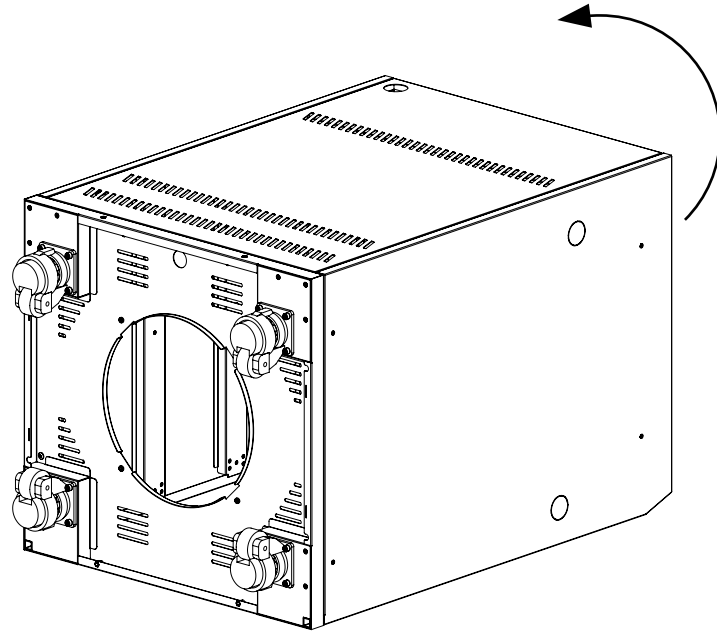
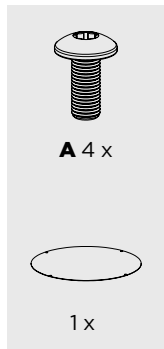
C



# ASSEMBLY

## FLOOR

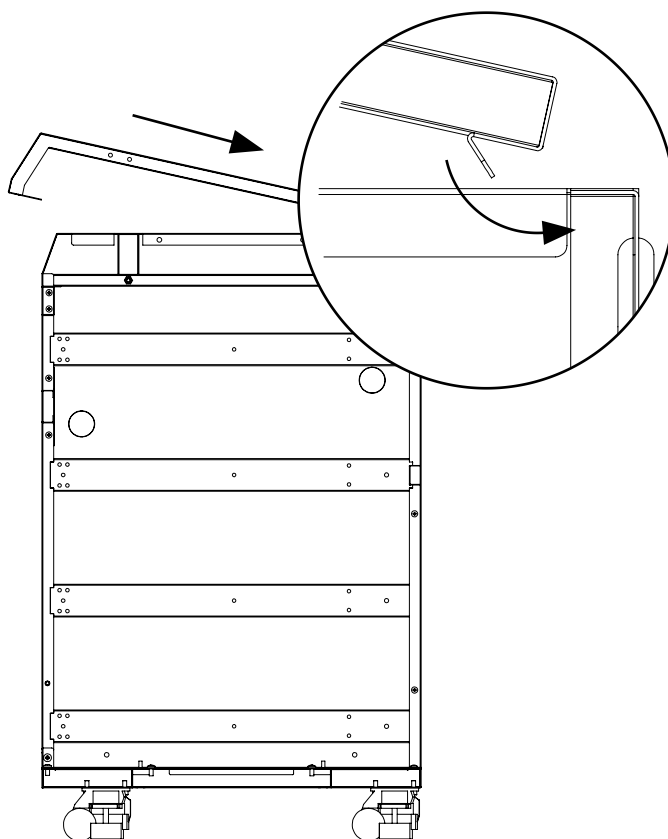
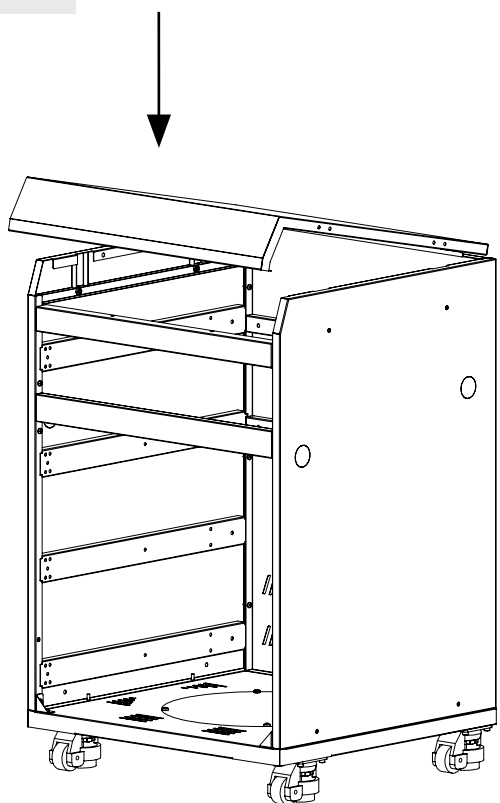
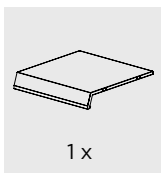
1

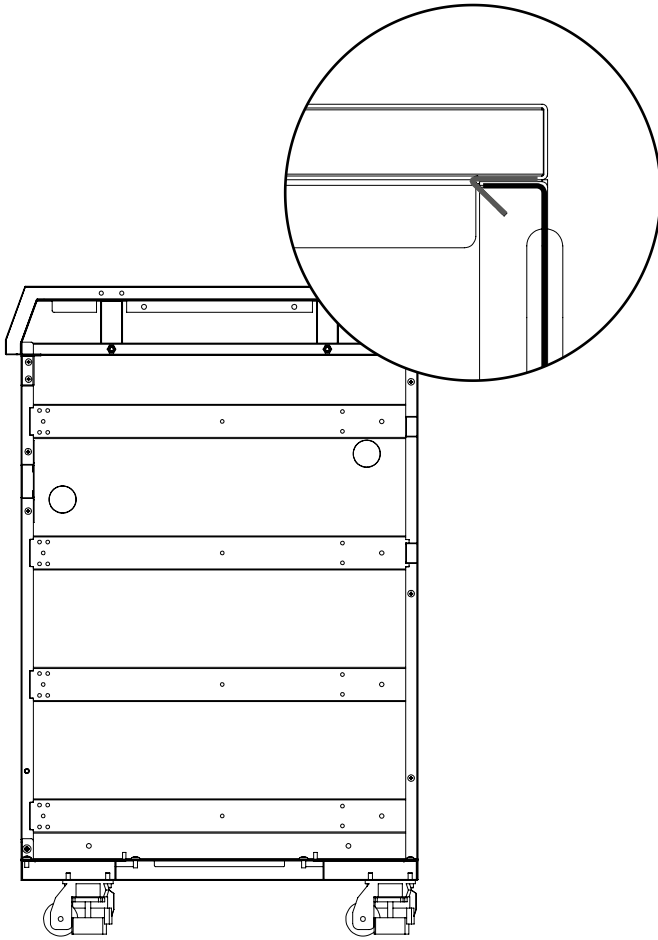


# INSTALLATION

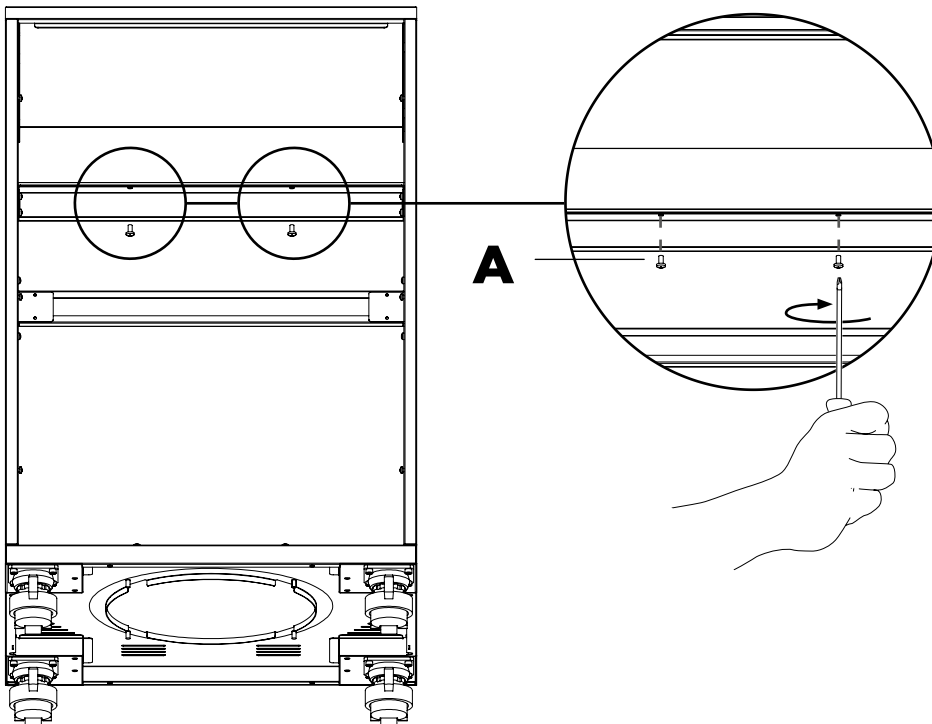
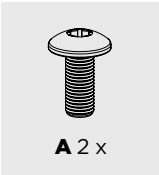
## TOP

1





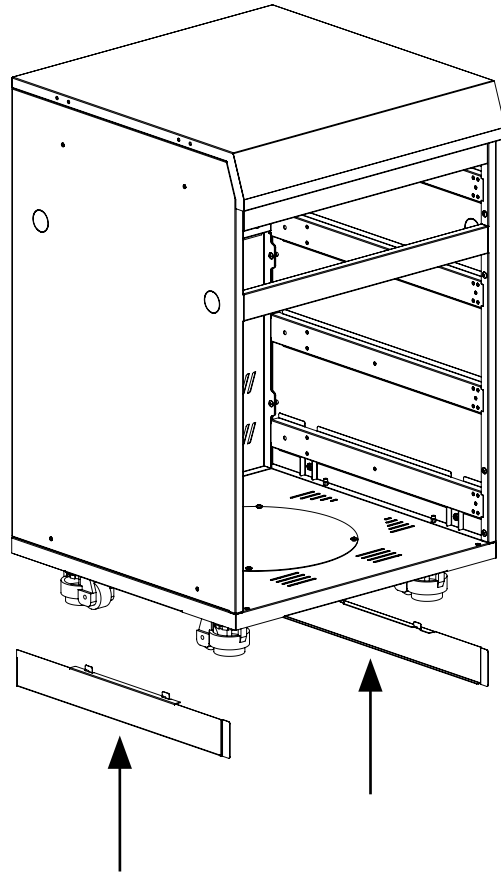
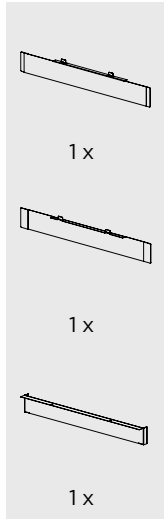
**2**



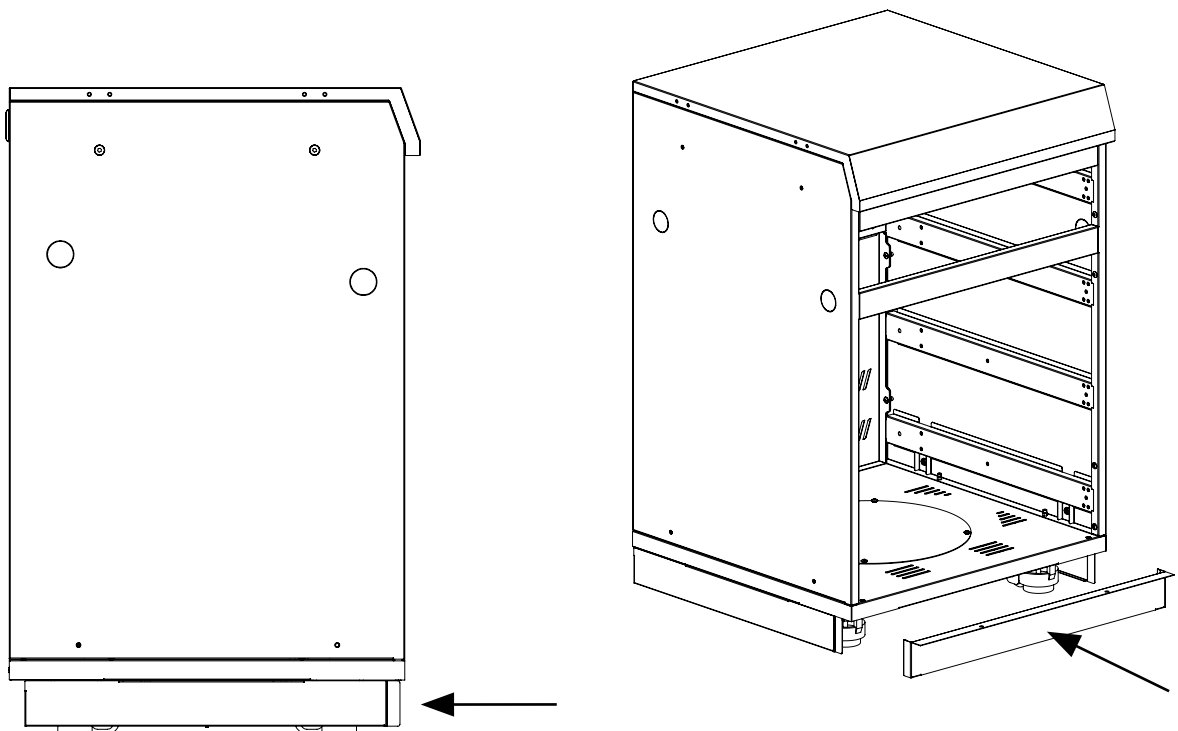
# ASSEMBLY

## TOEBOARDS

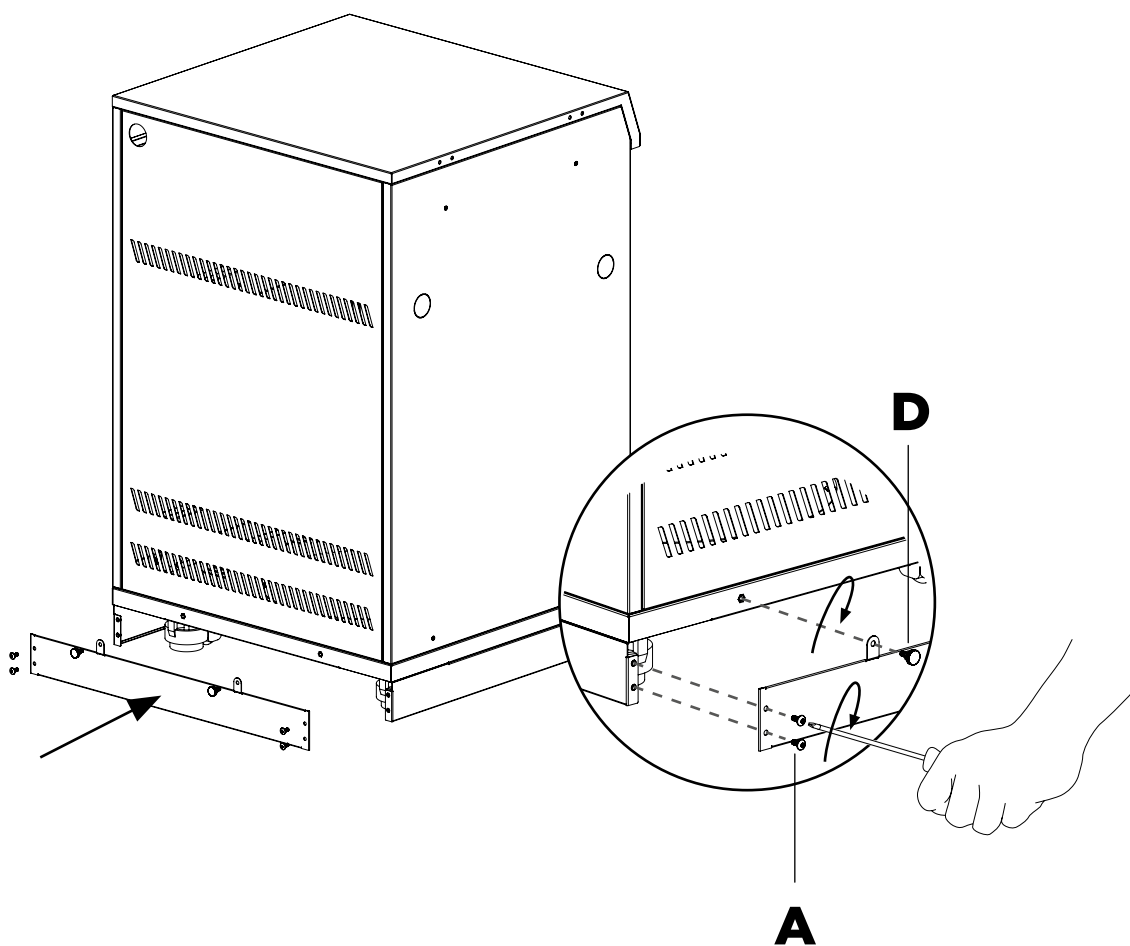
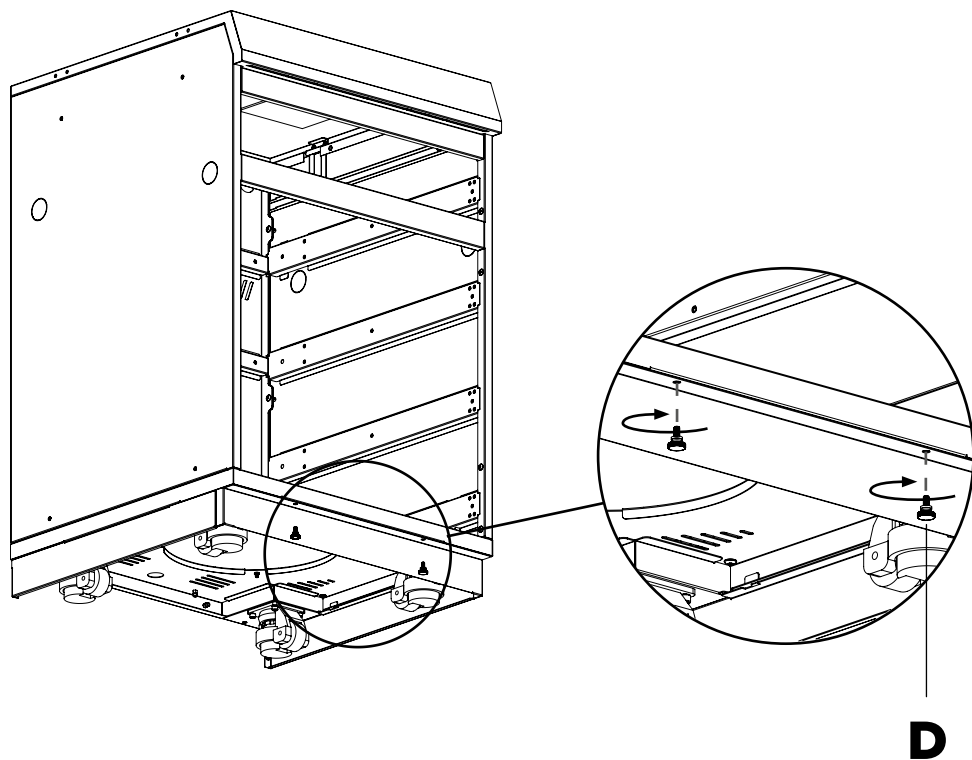
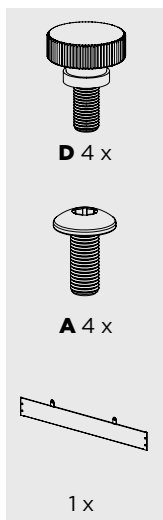
1



Move your Storage Module into position and be sure to position the caster with the wheel pointing to the center of the Module before lowering the foot and attaching the toeboard.



# 2





# **ASSEMBLY**

## **DRAWERS & DOORS**



### **ASSEMBLY INSTRUCTIONS**

## **DRAWER**

**PAGE 18**



### **ASSEMBLY INSTRUCTIONS**

## **DOOR**

**PAGE 22**

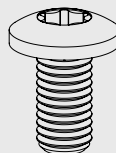
# SCOPE OF DELIVERY

## DRAWER

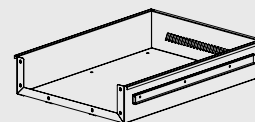
Here is a list of accessories for the 16" drawer. Quickly check that all the parts are there and use the screws supplied.



\* It is possible that some deliveries are made with Phillips screws.



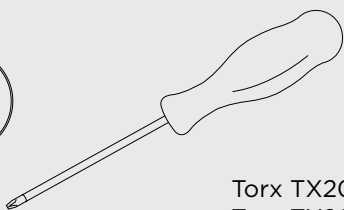
17x Screw M4 X 8\*



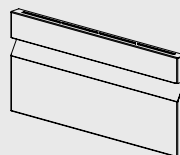
1x Drawer Body 16"

**B**

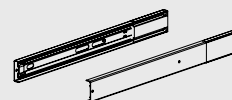
### TOOLS YOU WILL NEED



Torx TX20\*  
Torx TX20\*



1x Drawer Front 16"



2x Drawer Slide



### GRILL STAND WITH 4 DRAWERS

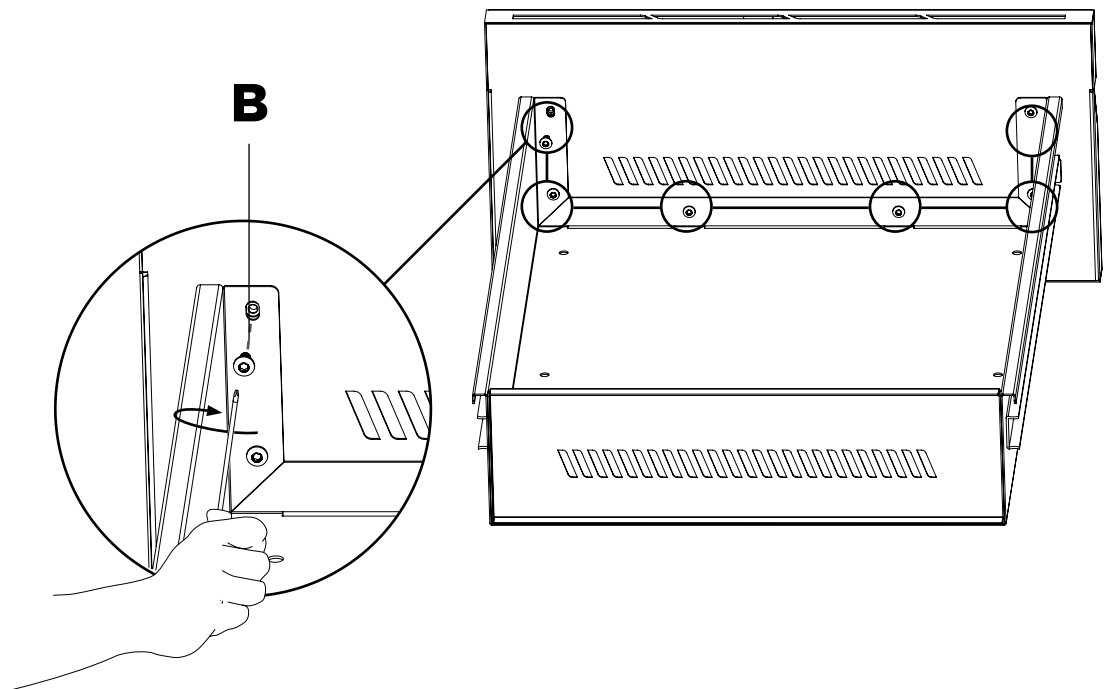
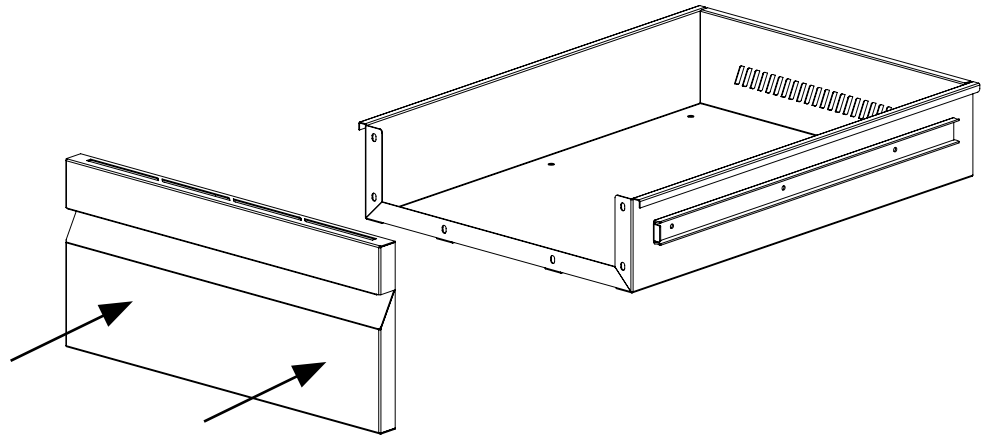
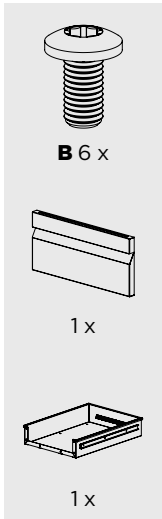
Repeat the following steps for all 4 drawers.

**x4**

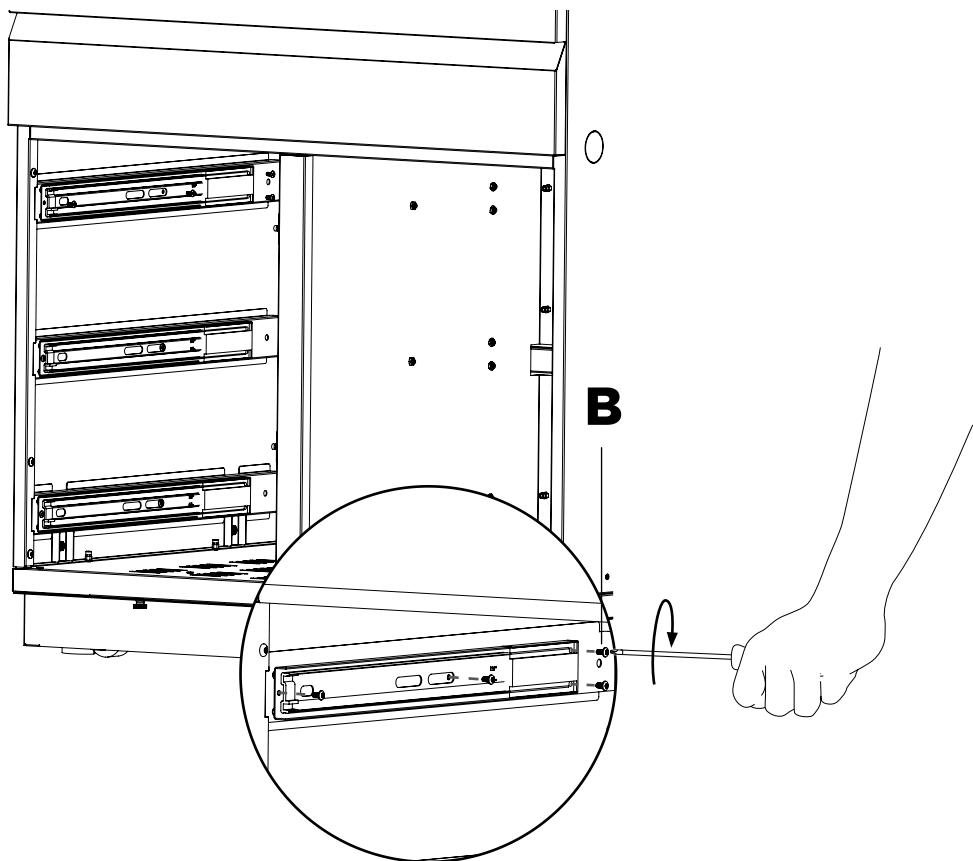
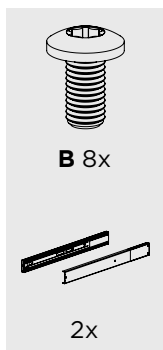
# ASSEMBLY

## DRAWER

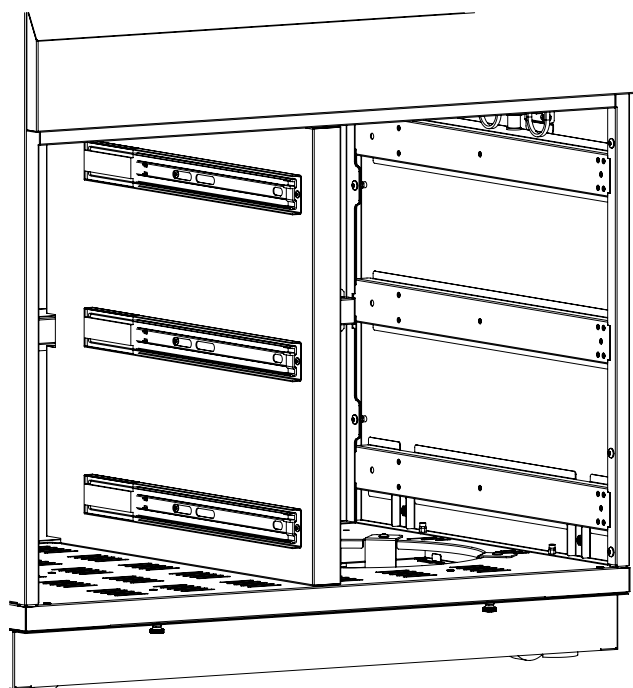
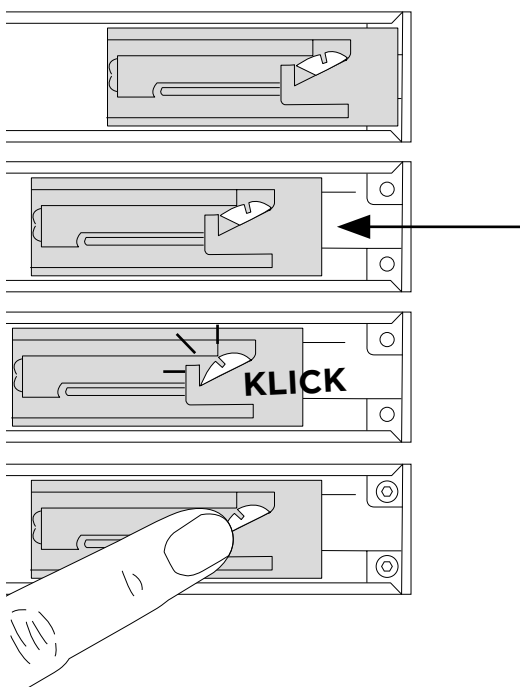
1



# 2



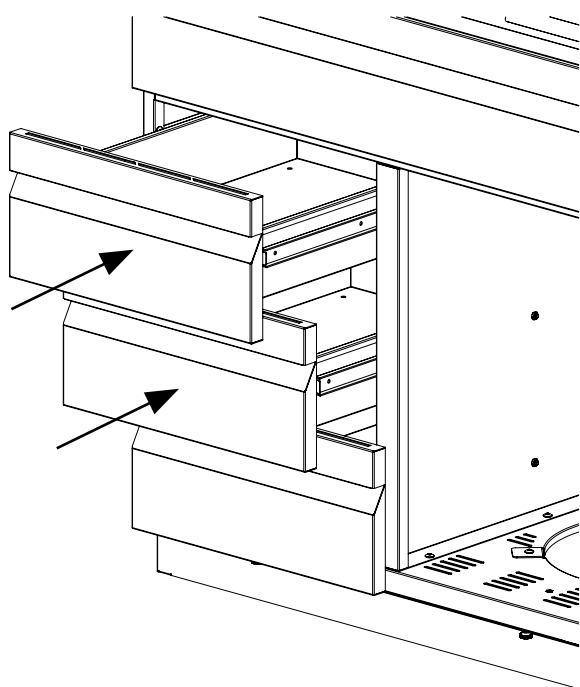
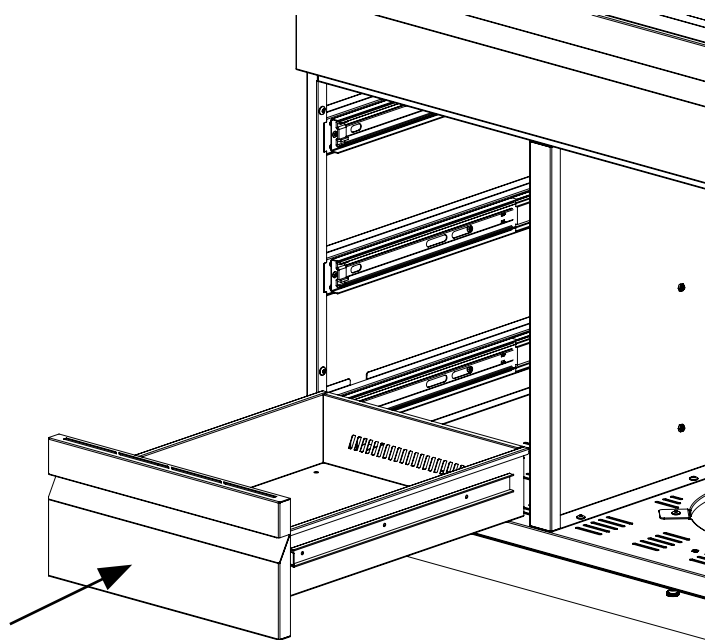
Snap the soft-close mechanism of the rail forward to tighten the rear two screws.



# INSTALLATION

## DRAWER

1



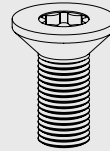
# SCOPE OF DELIVERY

## DOOR

Here is a list of accessories for the 16" drawer. Quickly check that all the parts are there and use the screws supplied.



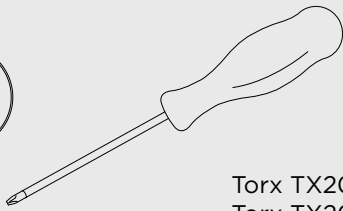
\* It is possible that some deliveries are made with Phillips screws.



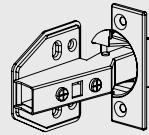
**H**

12x Screw M4X10\*

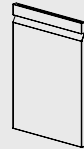
### TOOLS YOU WILL NEED



Torx TX20\*  
Torx TX20\*



2x Door Hinge

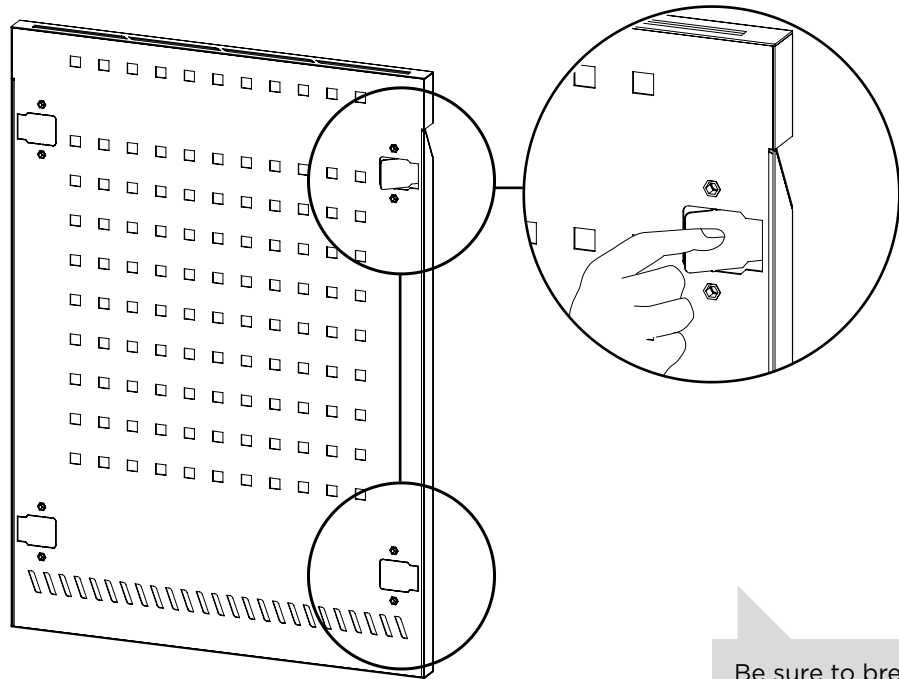
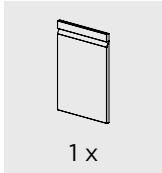


1x Door

# ASSEMBLY

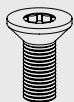
## DOOR

1

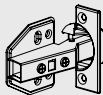


Be sure to break out the cover on the side of the door that corresponds to the opening direction.

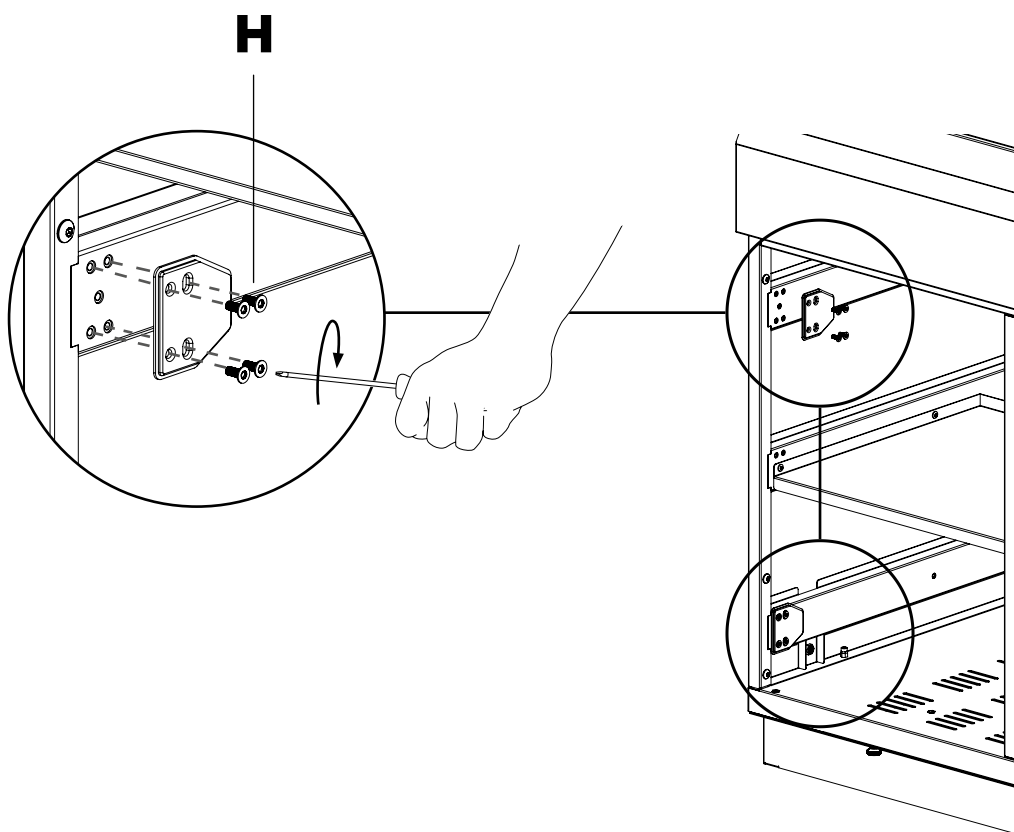
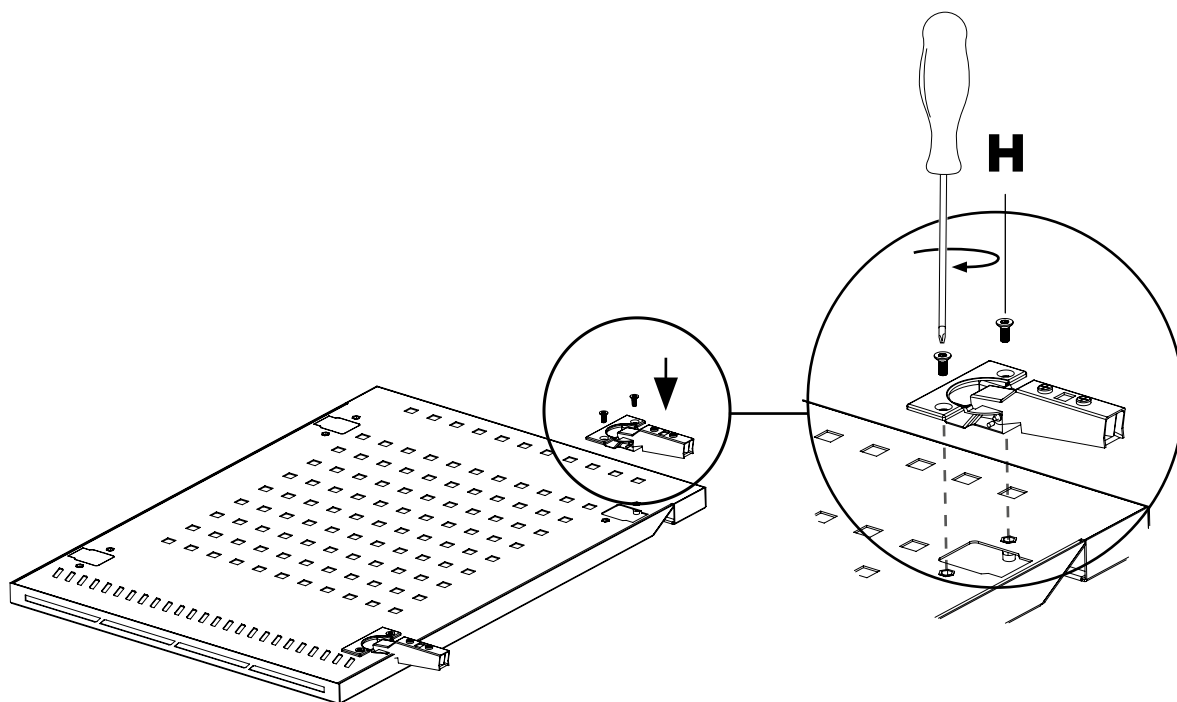
# 2



H 12 x



2 x

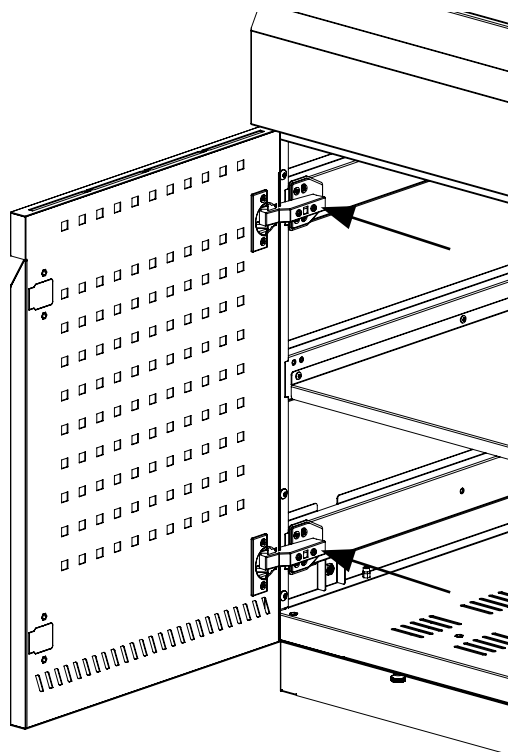
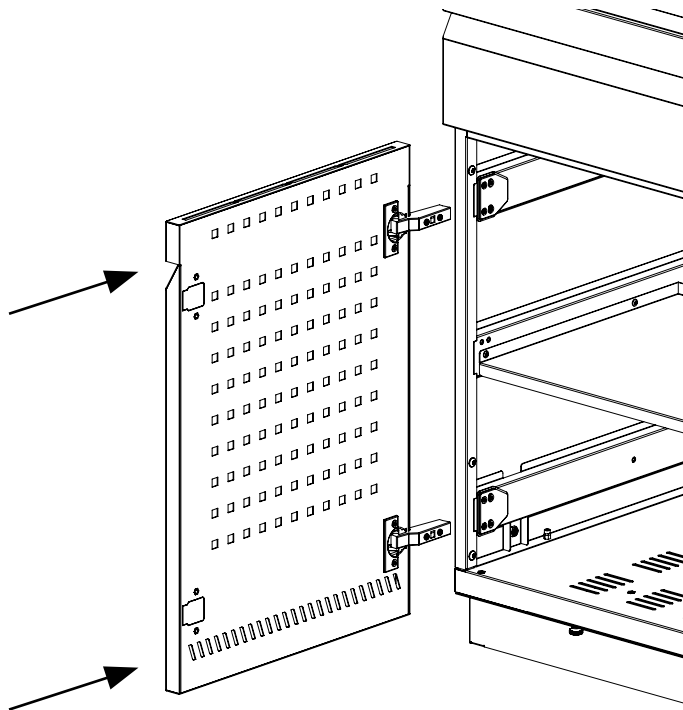




# INSTALLATION

## DOOR

1





Scan or click on the QR code to get to the other assembly instructions of our Platform Modules.

501576 V 02



Otto Wilde Grillers Inc.  
12600 Hill Country Blvd  
Suite R-130 #293  
Austin, TX 78738

**+1 (855) 505-5646**  
**service@ottogrills.com**  
**www.ottogrills.com**

Share your grill experience with us!

