



HoneyBirdette

THE SWING

USER GUIDE

INSIDE THE BOX

YOUR SWING ARRIVES ASSEMBLED AND READY TO BE HOOKED.

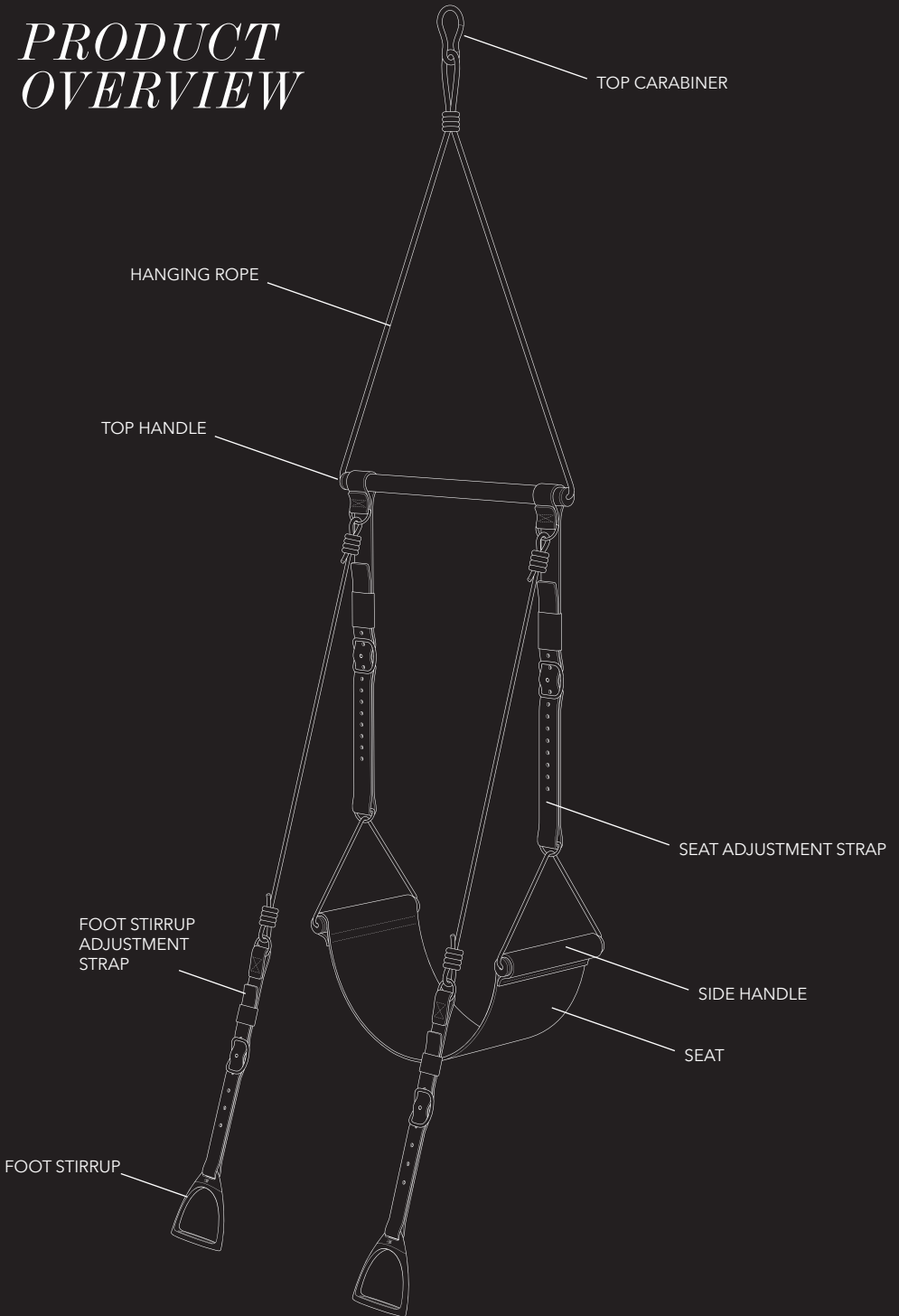
However, as every home and setup is different,
we do not include the ceiling hook.

You can purchase a heavy duty ceiling hook adapted to
your configuration in any hardware store.

Just make sure it is adapted and strong enough for the product use.
We recommend a minimum working load of 1000 lbs / 450 kg

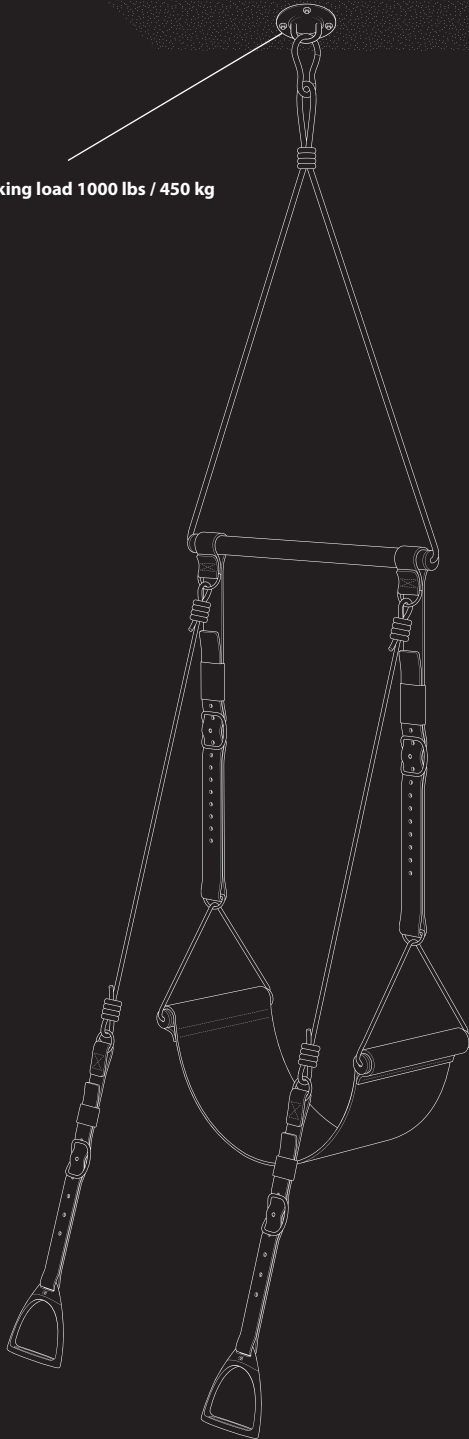
**PLEASE CONSULT WITH
A PROFESSIONAL TO ENSURE THE SAFETY OF YOUR INSTALLATION.
IF YOU ARE UNSURE ABOUT HOW TO INSTALL YOUR SWING,
PLEASE CONSULT A LICENSED CONTRACTOR TO INSTALL THE
HARDWARE FOR YOU.**

PRODUCT OVERVIEW





Min. working load 1000 lbs / 450 kg



WHERE CAN I INSTALL MY HONEY BIRDETTE SWING?

To install your swing, you will need to have either a roof stud that is 4x4" (10x10cm) or larger or a concrete ceiling.

SAFETY FIRST!

Make sure you have a beam in your ceiling strong enough to support your weight. You will need at least a 4x4" (10x10cm) or 2x6" (5x15cm).

A 2x4" (5x10cm) beam is NOT strong enough.

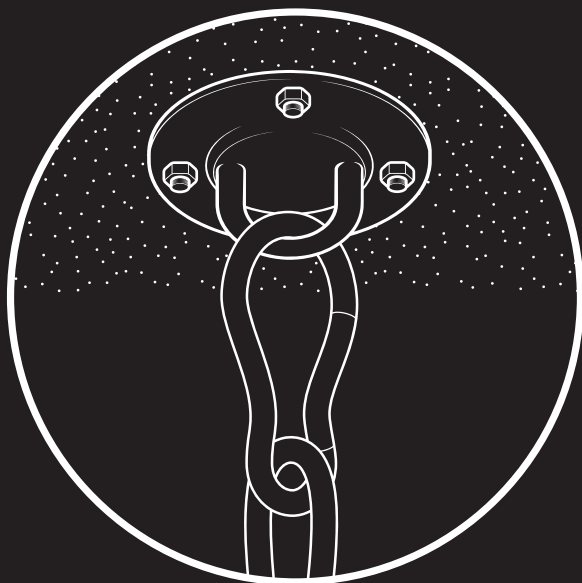
Use a stud finder to locate a beam in your ceiling. If you do not know what size it is, you will need to be able to see it.

This means either attic access or exposing the beam.

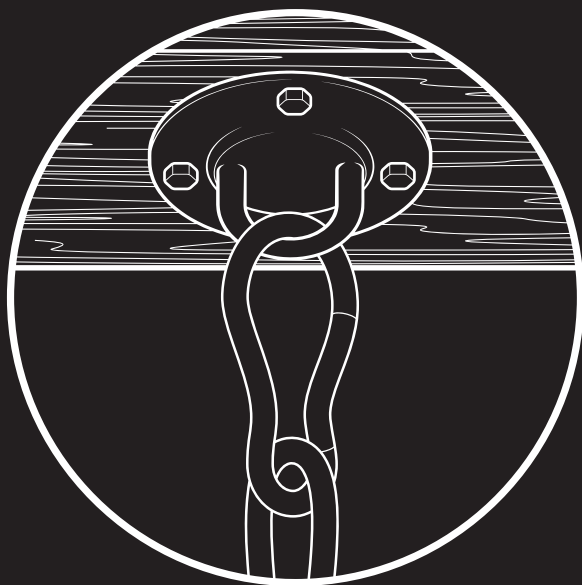
**NOTE: IF YOU DO NOT WANT TO DRILL INTO YOUR ROOF OR
DO NOT HAVE A ROOF STUD THAT IS 4x4" (10x10cm)
OR LARGER OR A CONCRETE CEILING,
A SEX SWING STAND IS HIGHLY RECOMMENDED.**

Before installing the eyebolt, it is your responsibility to confirm the beam is capable of supporting the weight of the equipment and user.

**WHEN IN DOUBT,
ALWAYS CONSULT A PROFESSIONAL.**



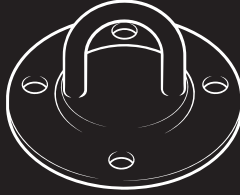
Concrete ceiling installation example



Wood beam installation example

THE SUSPENSION

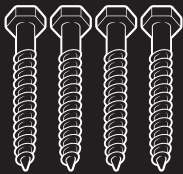
Now that you have found a strong beam or concrete ceiling you will need to install a strong ceiling plate.



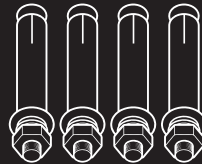
Ceiling plate example (not included)

YOUR SUSPENSION POINT MUST SUPPORT AT LEAST A WORKING LOAD OF 1000LBS / 450KG

- If you are using a ceiling plate on a beam, make sure it is placed in the center of the beam so all four screws go cleanly into the beam.
- If you are using a ceiling plate in a concrete ceiling, make sure you use proper concrete expansion bolts to attach it.



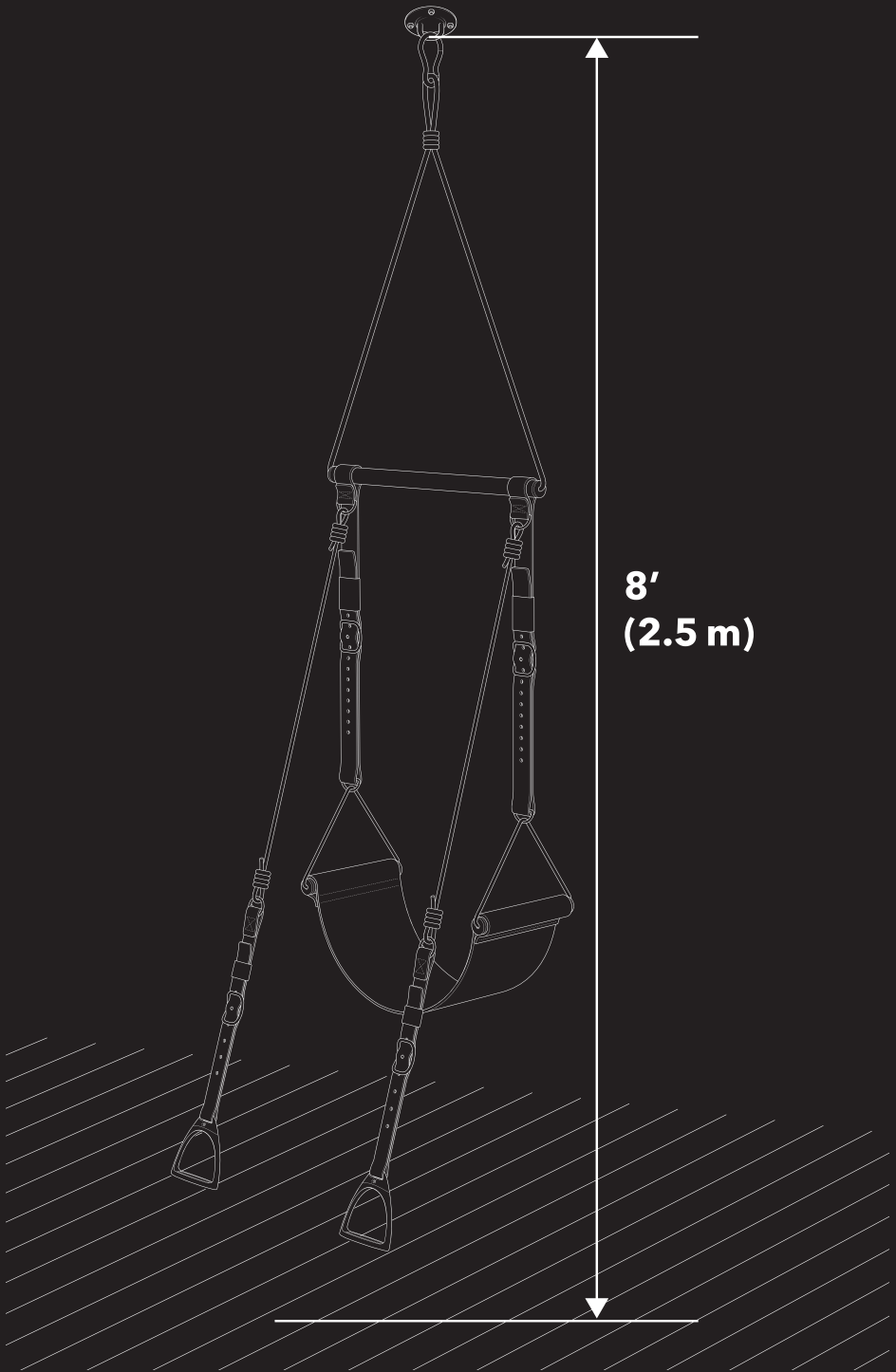
*Wood screws example
(not included)*



*Concrete expansion bolts
(not included)*

NOTE: Always follow the ceiling plate manufacturer instructions for installation.

IT IS BEST TO CONSULT A PROFESSIONAL FOR THIS STEP AS WELL!



8'
(2.5 m)

WHAT HEIGHT?

HOW TALL IS YOUR CEILING?

You should be able to attach the top hook of the swing directly to your ceiling plate. Our deluxe swing set up works best with ceilings around 8' (2.5M) tall.

IF YOU HAVE A TALLER CEILING YOU WILL NEED ANY WEIGHT BEARING ROPE TO LOWER THE SWING TO A USABLE HEIGHT.

For a good starting height on a basic swing, attach the hook to your ceiling plate or rope around 8' (2.5m) off the ground. As you use your swing you will learn what a good height is for you.

YOU CAN ADJUST YOUR SWING HEIGHT MORE PRECISELY BY ADJUSTING THE SIDE LEATHER STRAPS.

ONE FINAL CHECK...

Attach your swing to the installed ceiling plate or rope and test installation by applying your full body weight and by pulling yourself up onto the sex swing frame using the top handle.

If something went wrong in the installation, the swing will fall while you are on your feet which is better than falling on your behind.

**NOTE: ALWAYS CHECK SECURITY OF HARDWARE AND INSTALLATION BEFORE USING.
BETTER SAFE THAN SORRY!**



Every home and set-up is different. Please consult with a professional to ensure the safety of your installation.

If you are unsure about how to install your swing, please consult a licensed contractor to install the hardware for you.

GENERAL SAFETY INSTRUCTIONS

PURPOSE

- This product is intended for indoor, domestic use only. It is not suitable for commercial or medical use.
- Weight Limit: 200kg
- **WARNING! NEVER TO BE USED BY CHILDREN** This product may only be used by adults.
- The packaging material is not suitable for children due to choking and suffocation hazards.
- Sold as novelty item only.

RISK OF INJURIES

- Do not use the product if it is damaged or defective. If it is damaged or defective, please contact a qualified technician.
- Check the product before each use. Defective parts must be changed immediately as they can impair the function and the safety of the product.
- No more than one person per sitting simultaneously on the swing.
- Use the product only on even and non-slipping surfaces. Never use it near water and keep sufficient space around for safety.

PRODUCT DAMAGE

- Do not make alterations to the product. Only use original spare parts. Qualified technicians should only carry out repairs - improper repairs can lead to danger for the user. Use this product only as described in this manual.
- Protect the product against splashes, humidity, high temperature and direct sunlight.

HANGING ADVICE

- The hanging of the product must be done carefully and according to instructions. If in any doubt, ask a technically qualified person.
- Before you start with the hanging, read the instructions carefully.
- Remove all packaging materials and lay down all parts in an open space. This gives you an overview and simplifies the hanging procedure.
- Check with the parts list that all parts are available. Dispose of the packaging material when the hanging is completed.
- Beware that when using tools or doing technical work, there is always risk of injuries. Assemble the product with care.
- Create a danger free environment; for example, do not let tools lay around the workspace. Store the packaging material in a way that cannot cause any danger.
- After installing the product according to the instruction manual, ensure all screws, bolts and nuts are correctly installed and tightened and that all joints are secure.
- Reasonable space must be kept between the product and possible sources of danger.
- The product must be assembled correctly before use.
- Place the product on a level surface at least 2 m from any structure or obstruction.

- No modifications are to be made to the original product.
- Do not place anything under the product.
- Use gloves during assembly and disassembly.
- We strongly recommend visual inspections before every use to ensure the integrity of the entire product. Replace any parts as necessary.
- It is the user's responsibility to make sure the third party hanging material used and installation are adequate and conform to the manufacturer's instructions.

SAFETY INSTRUCTIONS

- The safety instructions of the product should always be considered and obeyed.
- Using the product may result in permanent injury such as paralysis, or even death. Falling off the product may lead to injuries, particularly to the back, neck or head.
- No clothes with hooks or loose parts should be worn or carried during product usage in order to avoid hooks getting caught and causing injury.
- Users should be familiar with the assembly manual. This manual contains assembly guidance; selected precautionary measures as well as recommendations for servicing and maintenance of the product.
- It is the responsibility of the owner to guarantee that all users of the product are informed of all warning references and safety instructions.
- The product can be only used if it is in good condition, worn or damaged parts should be replaced.
- Objects, which could be dangerous to the user, should be moved away from the product.
- Avoid unauthorized use of the product.
- Do not use the product under the influence of alcohol or drugs (incl. medicines).
- Do not use the product or its attachments as a jumping platform.
- Do not jump or bounce on the swing as hard shocks can wear or break the materials (including the ceiling attachment).

YOUR WARRANTY

- Hold onto your receipt Honey, this is your warranty.
- With your luxury Honey Birdette swing you will receive a complimentary one year limited warranty for any manufacturing faults from the date of purchase.
- This does not cover damage caused by misuse or physical destruction.

RETURNS

- Honey please provide proof of receipt with date of purchase.
- After inspecting the product, our Honeys reserve the right to refuse and return damaged items that do not match the warranty conditions.
- *For any enquiries, returns, or questions related to your HB product, please contact our customer service Honeys: **honey@honeybirdette.com** or by phone **AUS: (02) 8217 5888 / USA: 1800 877 9016 / UK: 08008021960***