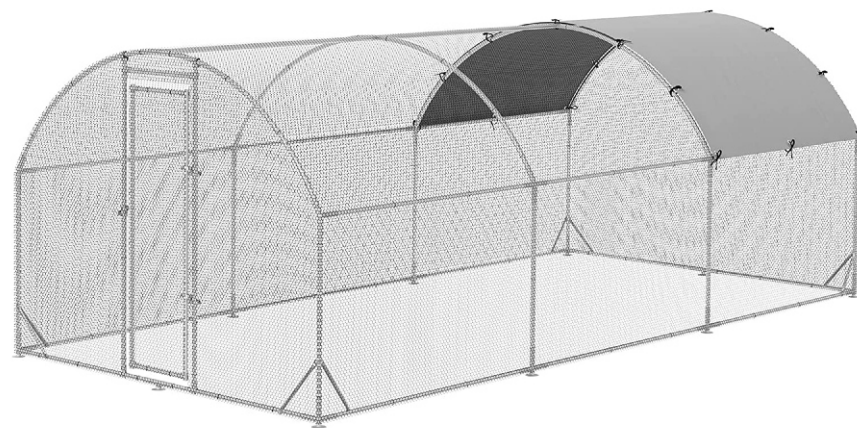


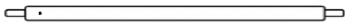
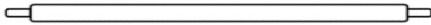
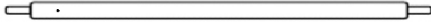








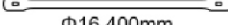



BETTERHOOD

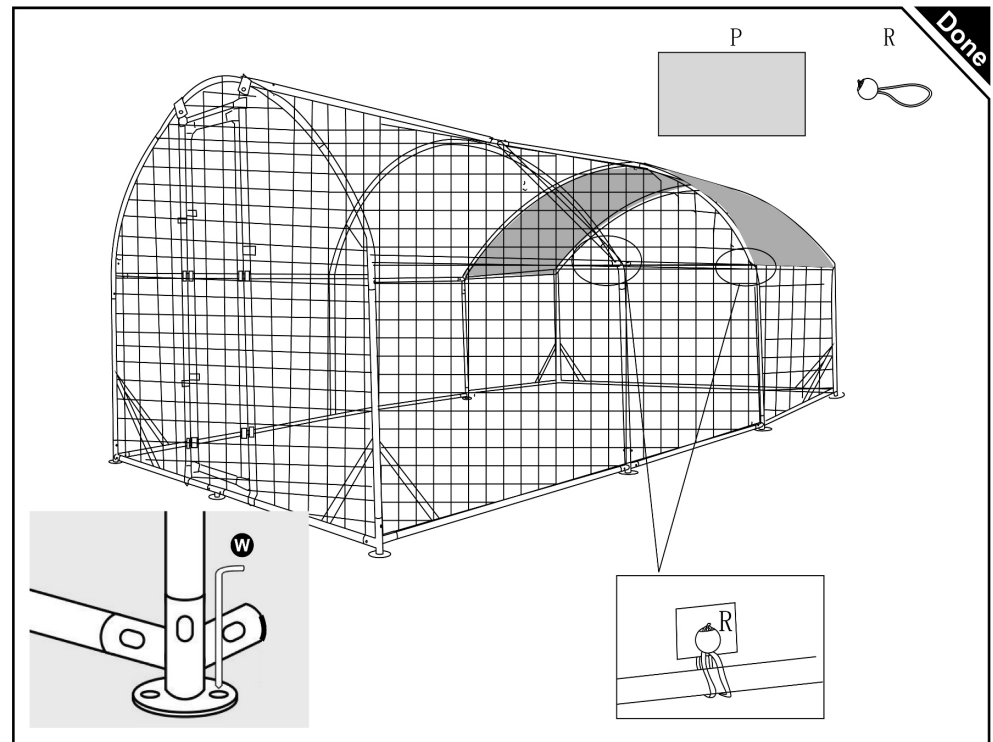
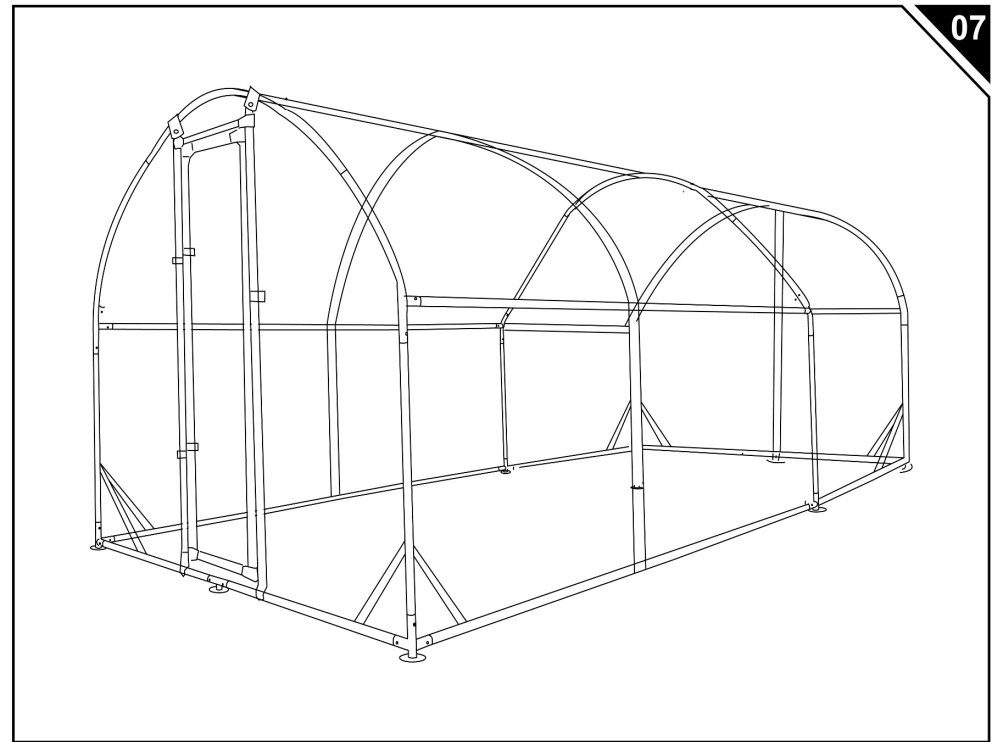
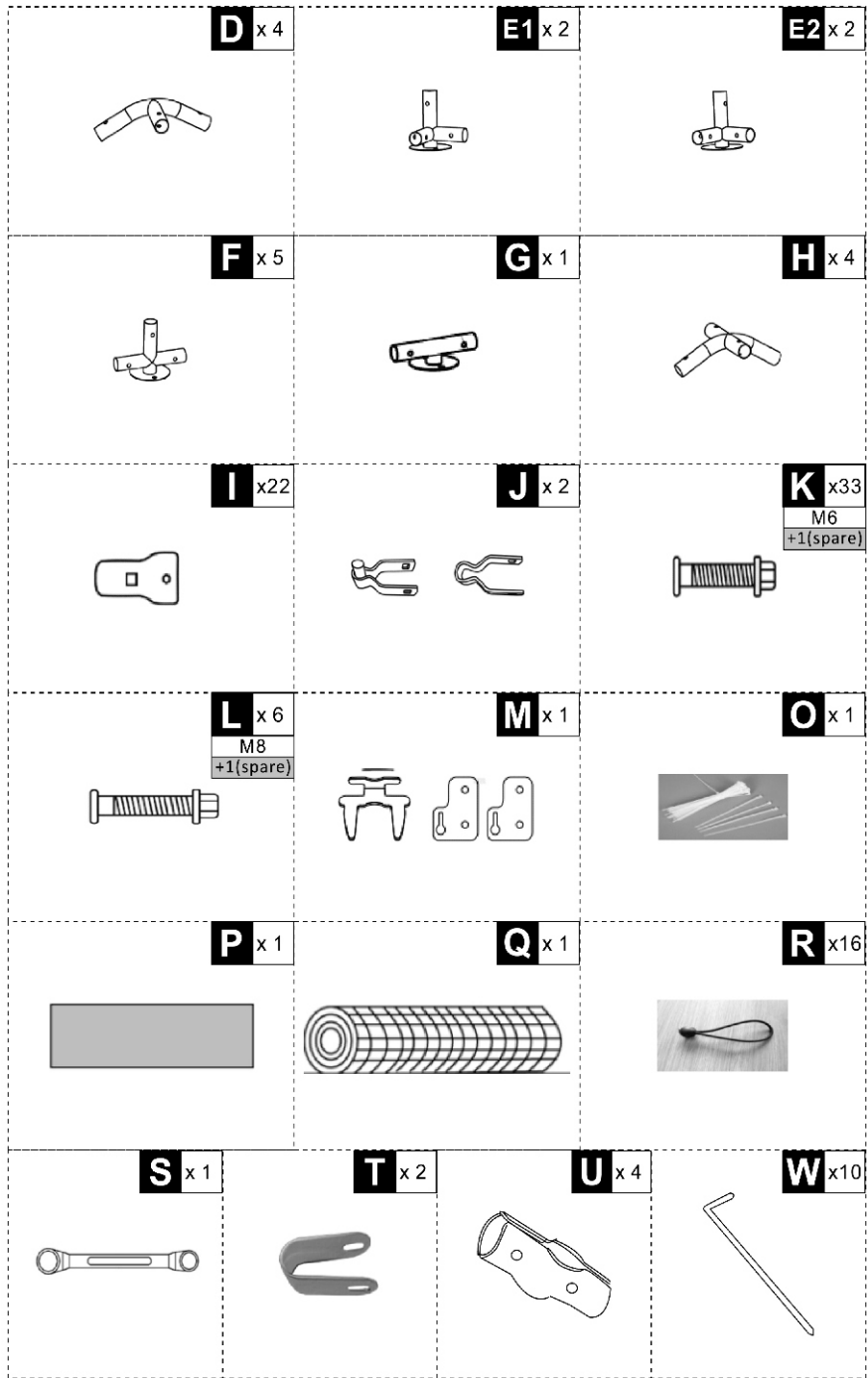
PTB010SL

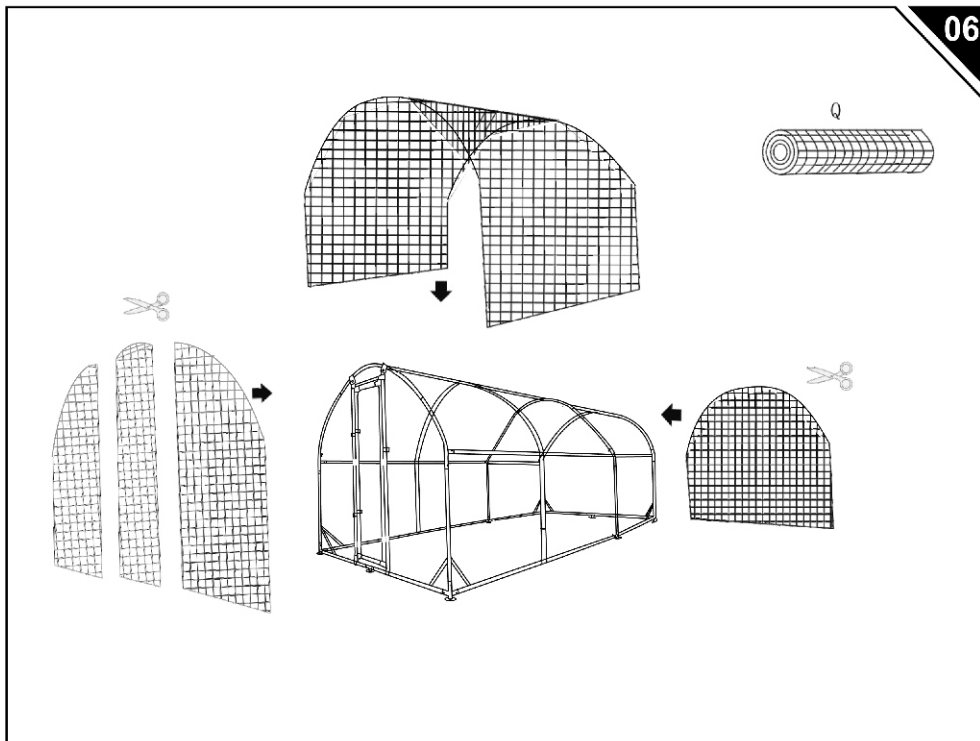
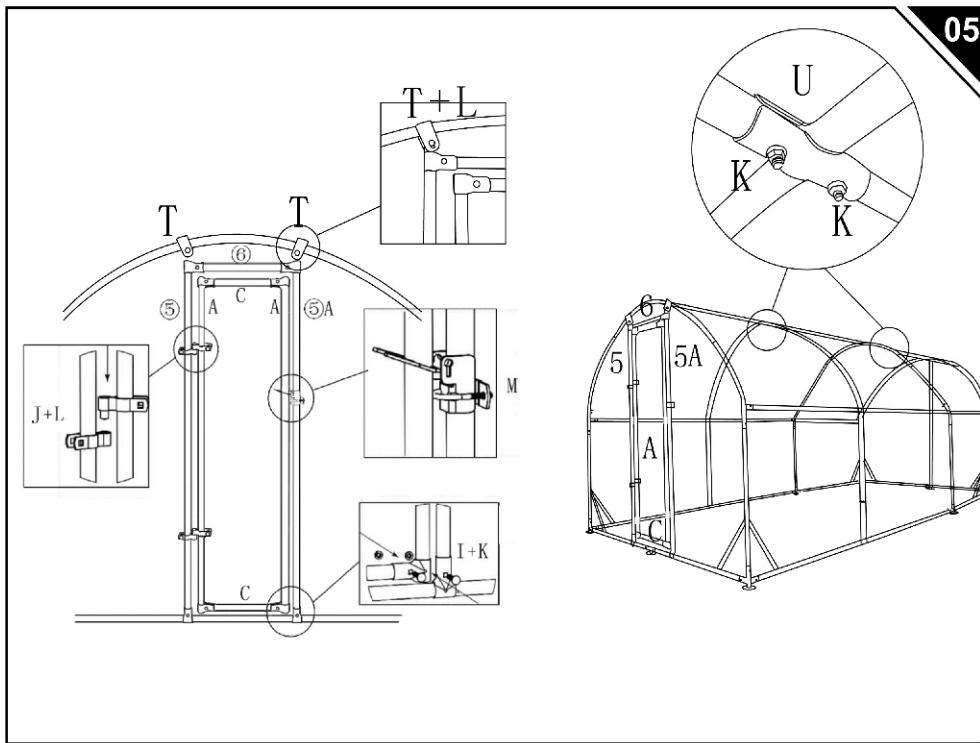


IMPORTANT, RETAIN FOR FUTURE REFERENCE: READ CAREFULLY

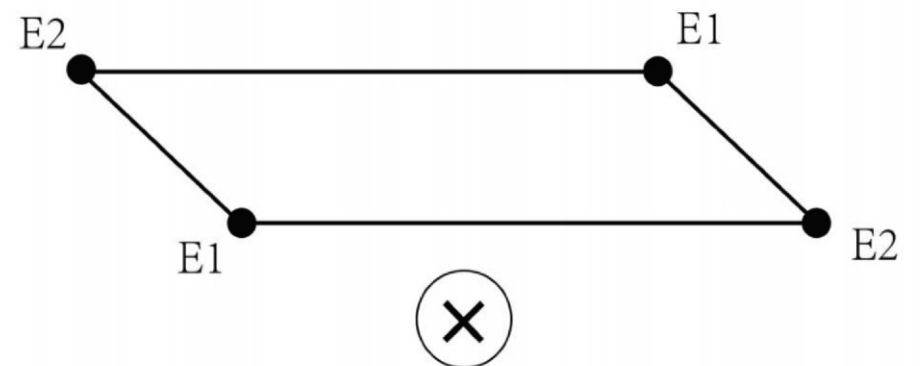
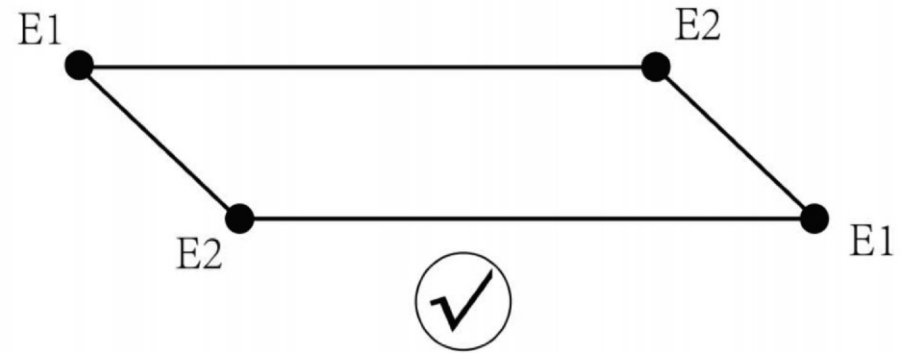
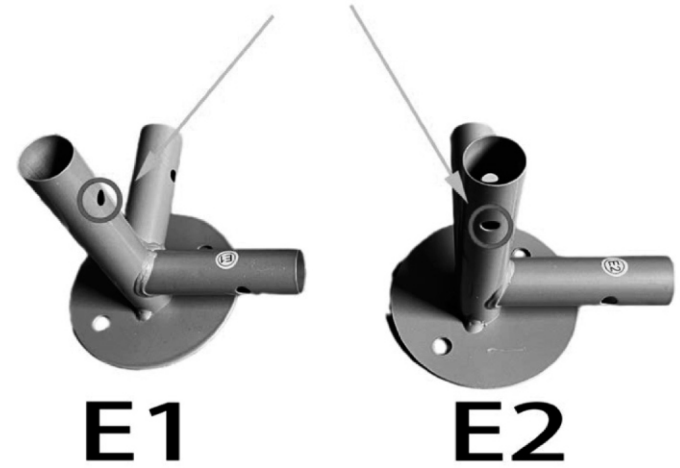
ASSEMBLY & INSTRUCTION MANUAL

	① x 4 1320
	② x 8 1825
	②A x 4 1825
	③ x 4 970
	③A x 4 970
	④ x 3 1855
	⑤ x 1 1835
	⑤A x 1 1835
	⑥ x 1 615
	⑦ x 8 1115
	⑧ x 4 1115
 Φ16 400mm	⑩ x 8 400
	A x 2 1700
	C x 2 497
	B x 1. 1855

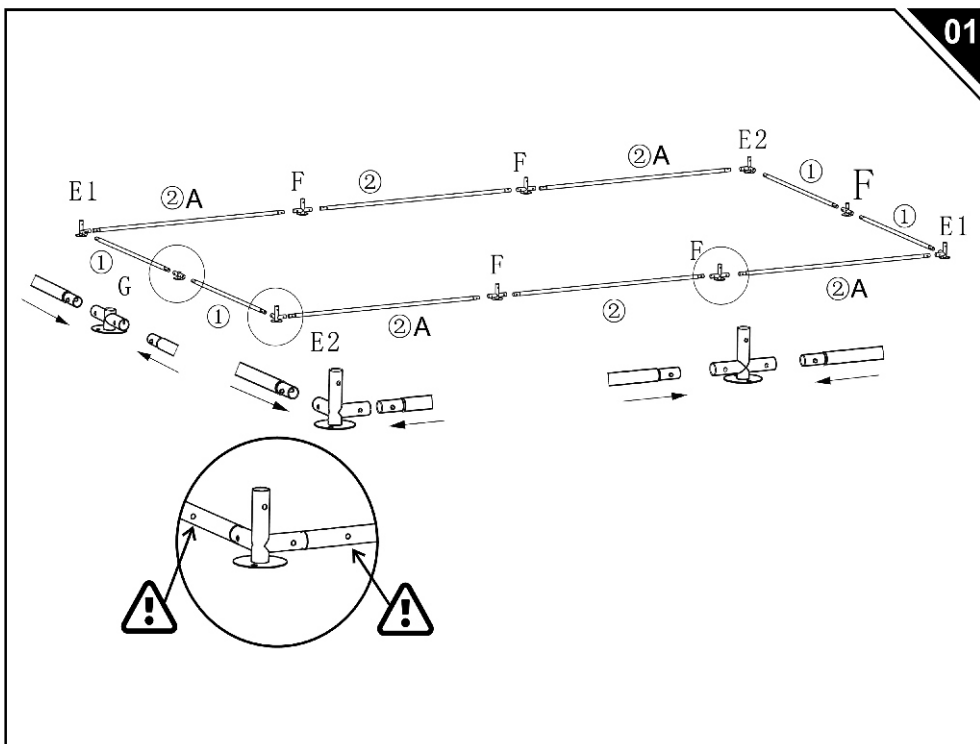




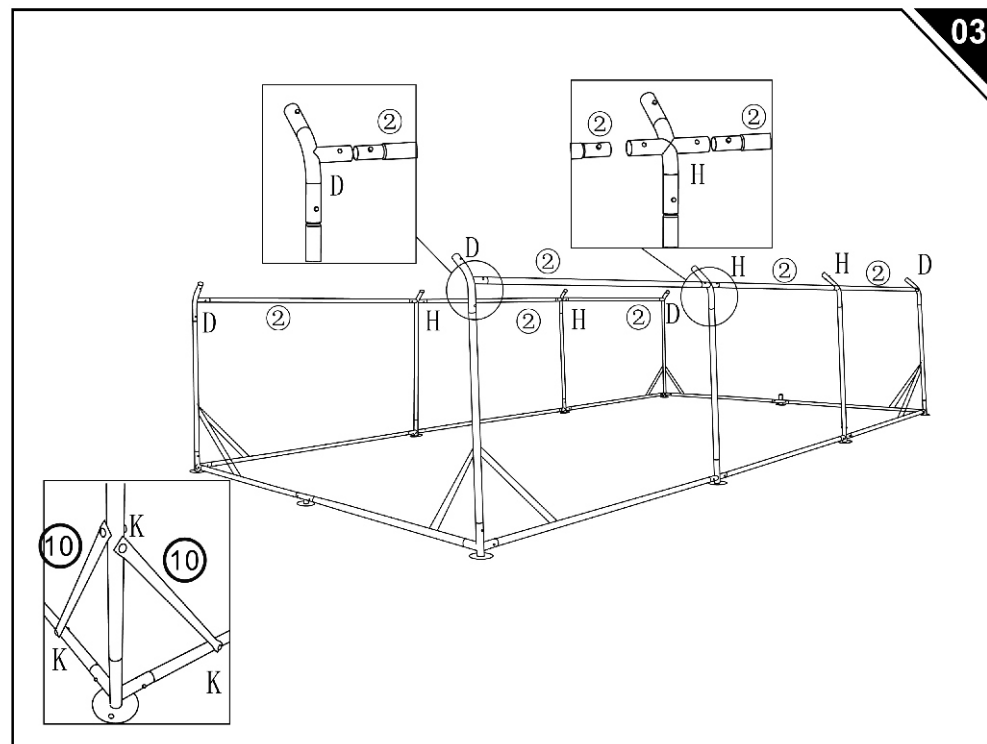
**DIFFERENT HOLES SITUATIONS
IN E1 & E2**



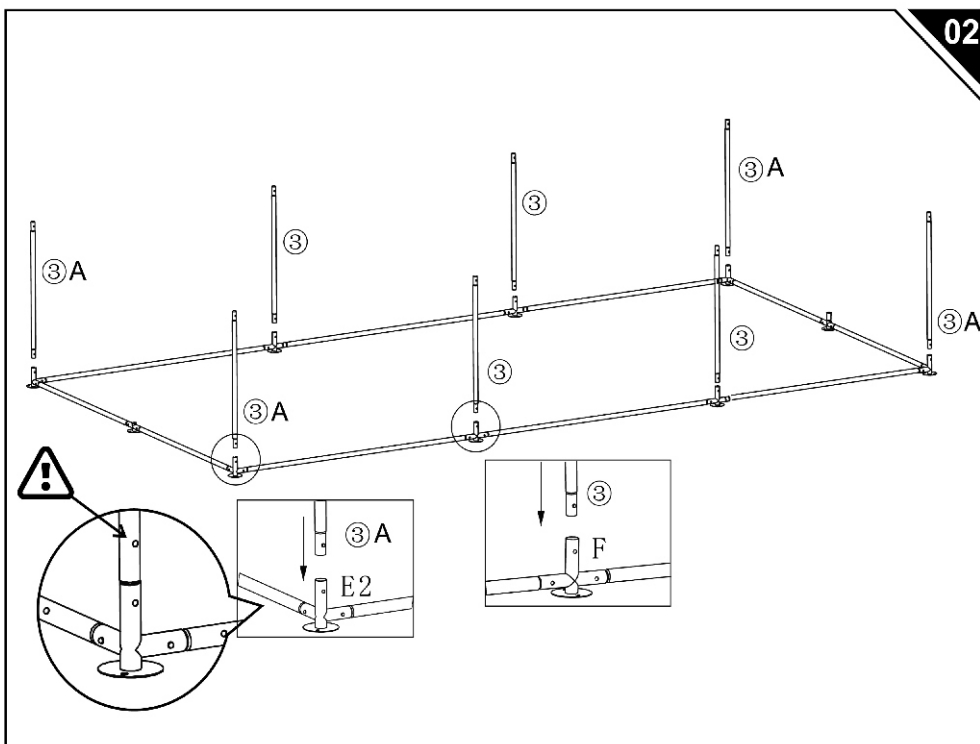
01



03



02



04

