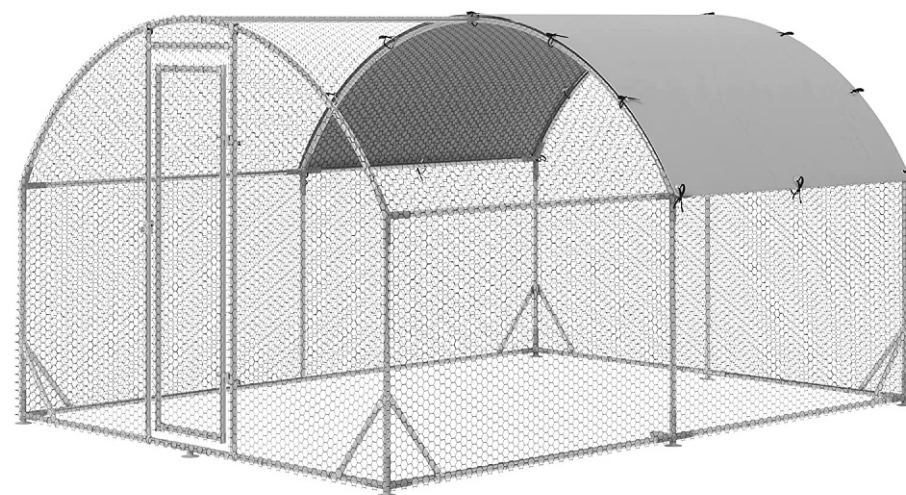



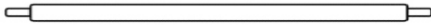
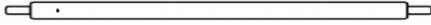



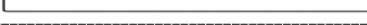




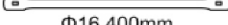



# BETTERHOOD

PTB009SL



IMPORTANT, RETAIN FOR FUTURE REFERENCE: READ CAREFULLY

## ASSEMBLY & INSTRUCTION MANUAL

	<b>①</b> x 4 1320
	<b>②</b> x 4 1825
	<b>②A</b> x 4 1825
	<b>③</b> x 2 970
	<b>③A</b> x 4 970
	<b>④</b> x 2 1855
	<b>⑤</b> x 1 1835
	<b>⑤A</b> x 1 1835
	<b>⑥</b> x 1 615
	<b>⑦</b> x 6 1115
	<b>⑧</b> x 3 1115
 Φ16 400mm	<b>⑩</b> x 8 400
	<b>A</b> x 2 1700
	<b>C</b> x 2 497
	<b>B</b> x 1. 1855

**D** x 4



**E1** x 2



**E2** x 2



**F** x 3



**G** x 1



**H** x 2



**I** x 22



**J** x 2

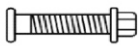


**K** x 31

M6  
+1(spare)



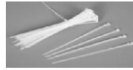
**L** x 6  
M8  
+1(spare)



**M** x 1



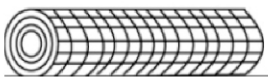
**O** x 1



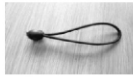
**P** x 1



**Q** x 1



**R** x 16



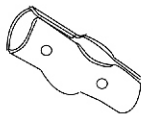
**S** x 1



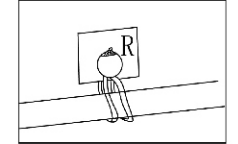
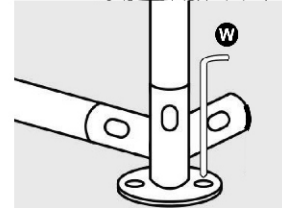
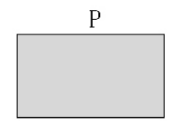
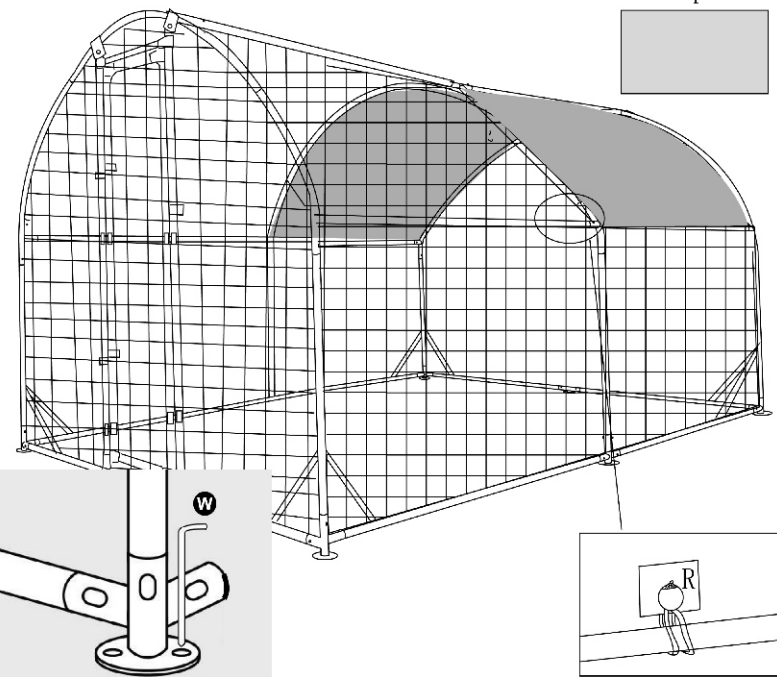
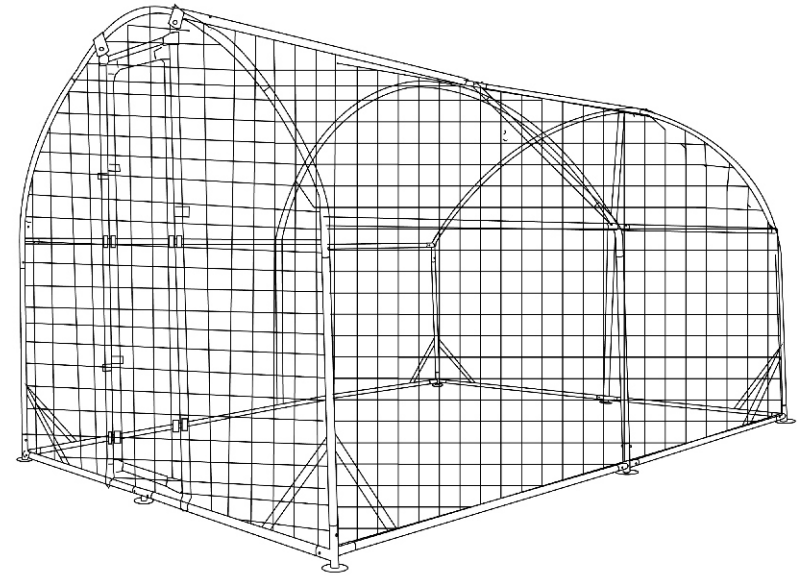
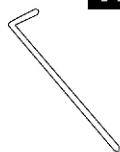
**T** x 2

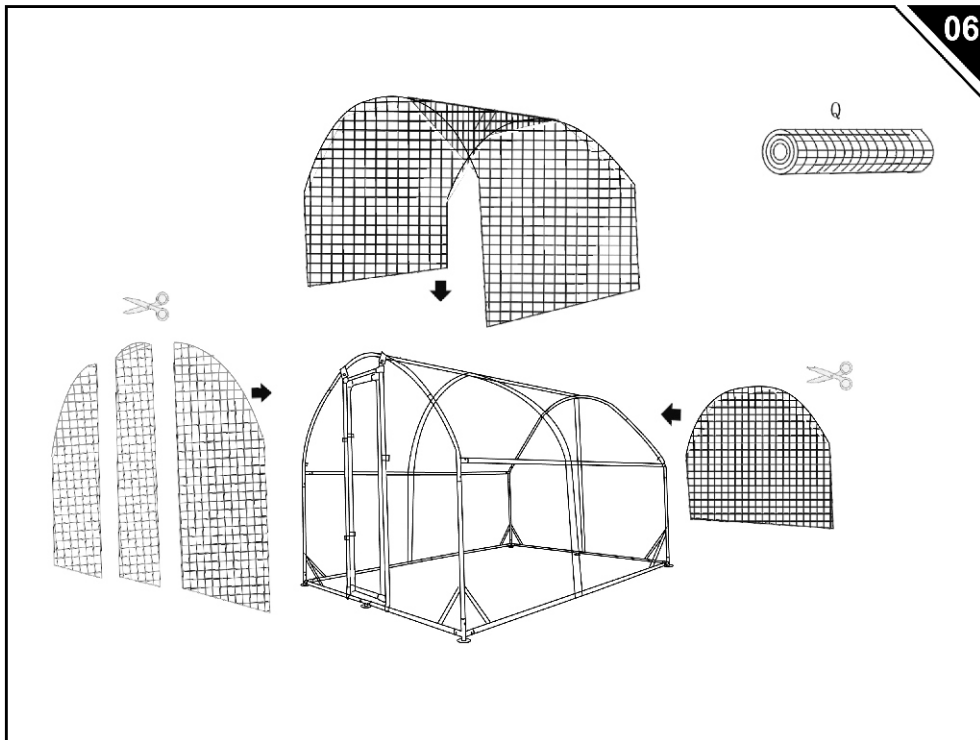
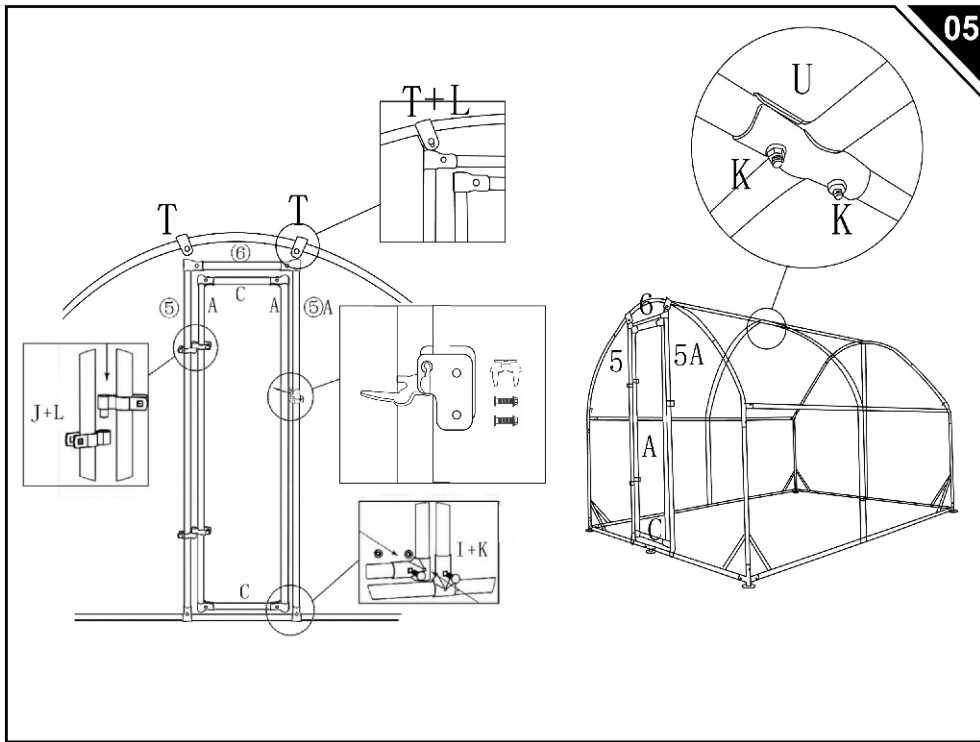


**U** x 2

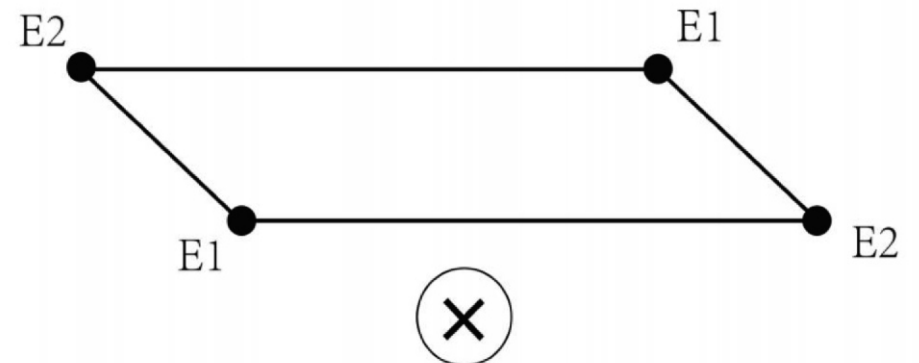
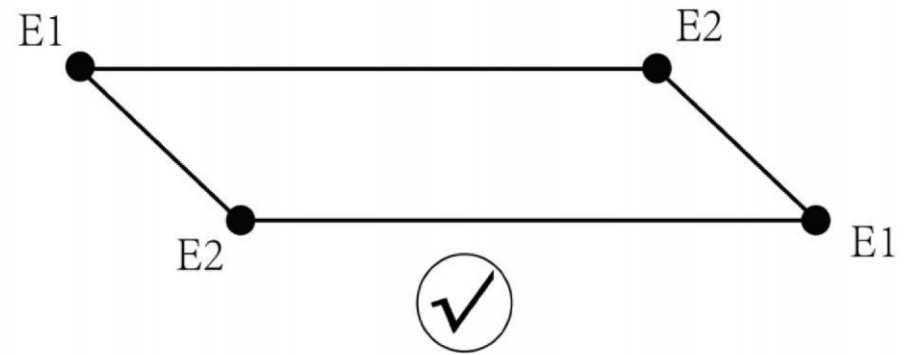
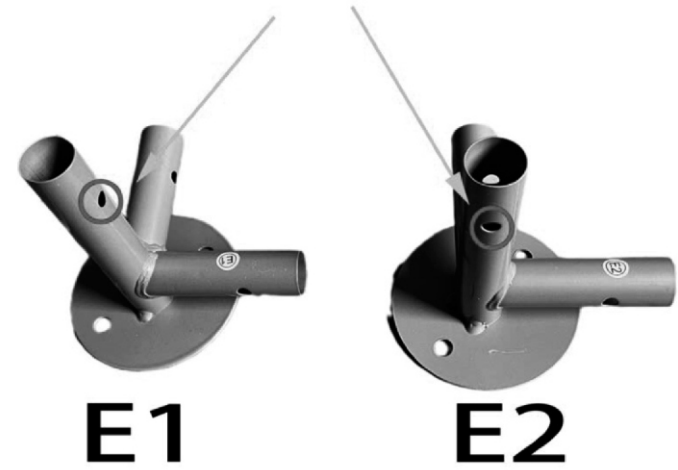


**W** x 8

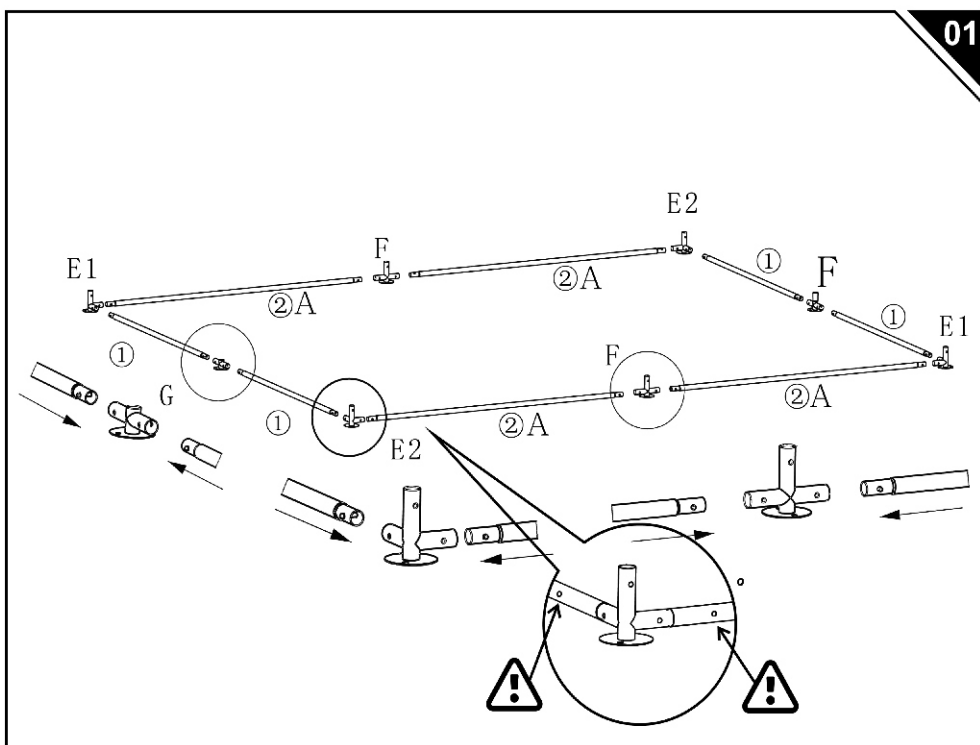




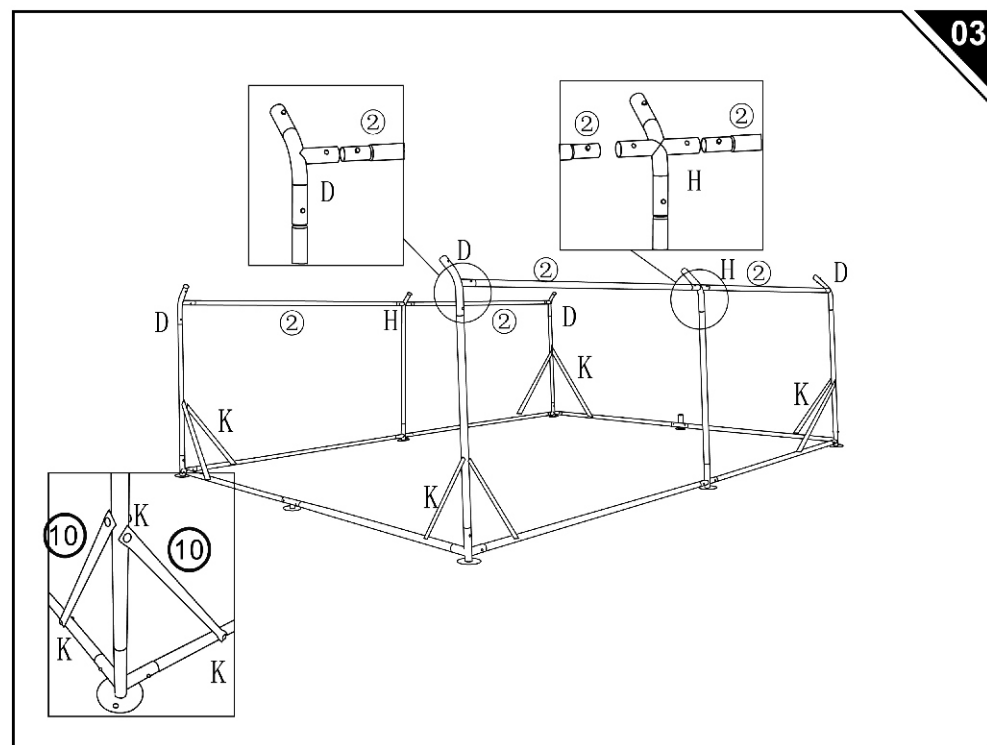
DIFFERENT HOLES SITUATIONS  
IN E1 & E2



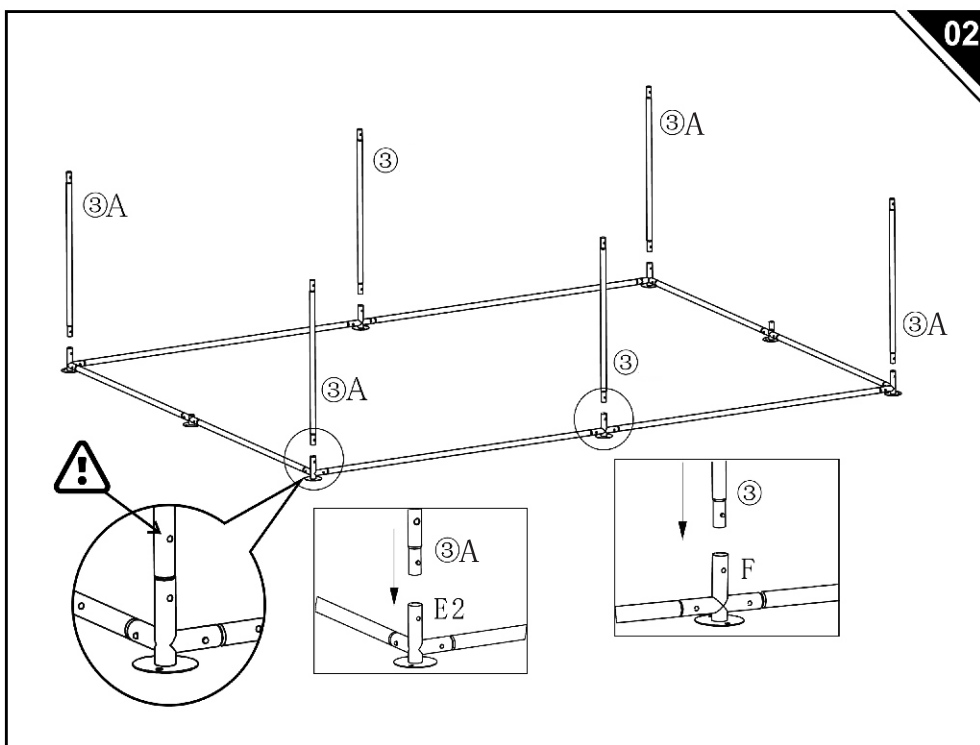
01



03



02



04

