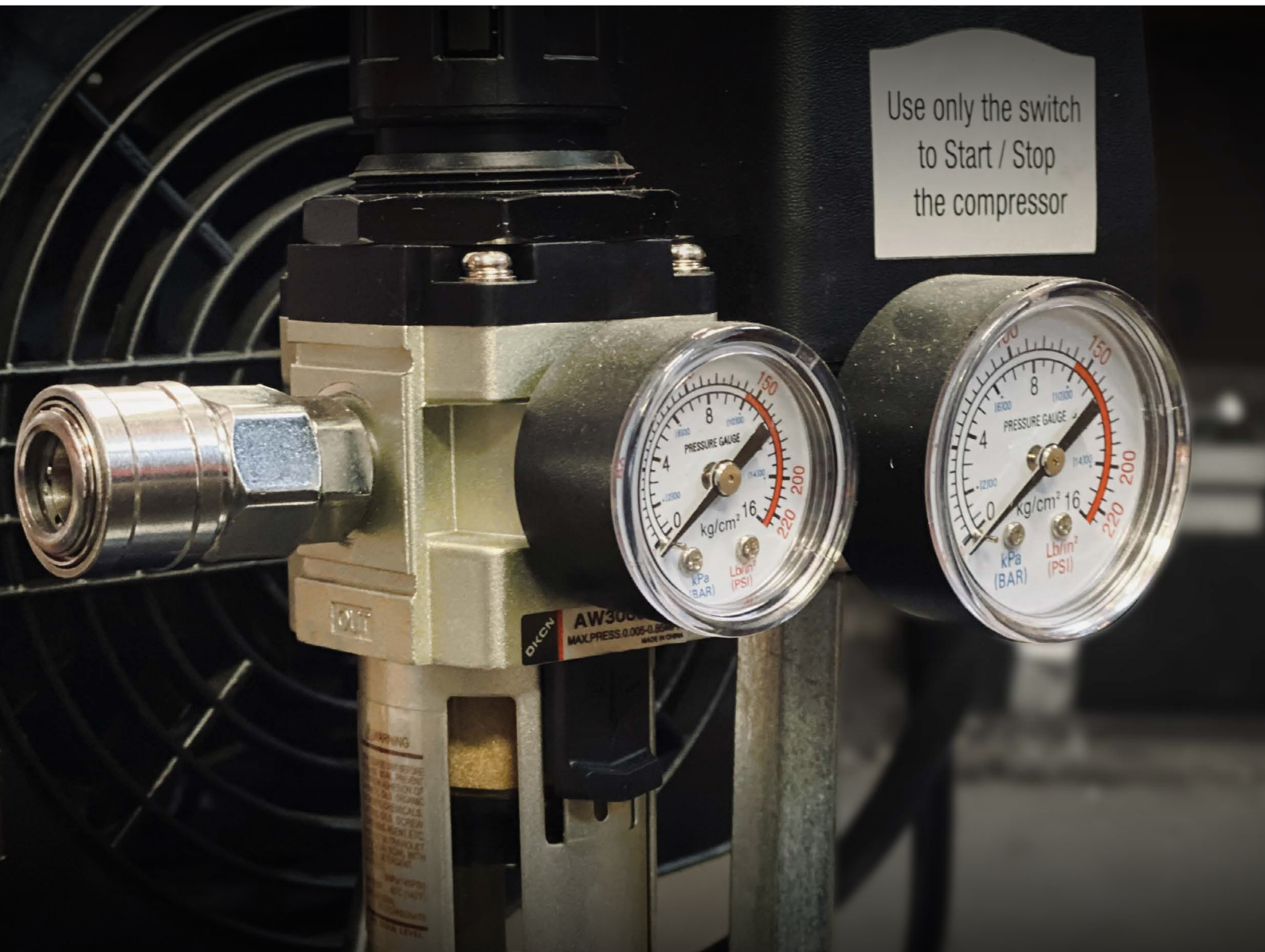




INDUSTRIAL TOOL & MACHINERY SALES®



PRODUCT CATALOGUE

PNEUMATIC PRODUCTS

CONTENTS



AIR COUPLERS

212



AIR BLOW GUNS - M7

222



AIR MANIFOLDS

213



AIR BLOW GUNS - GROZ

224



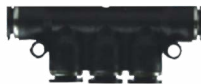
FILTERS & REGULATORS

214



TYRE INFLATORS

228



PUSH FIT FITTINGS

216



SPRAY GUNS - ITM

229



AIR HOSE

219



SPRAY EQUIPMENT - STAR

230



AIR HOSE REELS

221



AIR TOOLS - ITM

232



INDUSTRIAL TOOL & MACHINERY SALES



PRODUCT CATALOGUE
SEPTEMBER 2021

VIEW THE FULL RANGE OF ITM PRODUCTS AT
www.itmtools.com.au



ABOUT US

ITM are a leading national wholesale tool supplier servicing the Industrial, Trade, Hardware and Automotive retail markets Australia wide, specialising in fabrication and workshop equipment, metal cutting and drilling, cutting tools, air tools and powered equipment.

Since the company's founding in 1992, the ITM product range has now grown to **over 5000 products and accessories, plus over 6000 spare parts!**

As a **100% Australian owned and operated company**, we take pride in developing and providing the very best products that our customers can rely on and trust. We also offer extensive technical knowledge on every product we supply, providing you with excellent before and after sales service and support.



NATIONAL PRESENCE

Our head office and distribution centre is located in Yatala Queensland, half way between Brisbane and the Gold Coast. With warehouses in Queensland, Victoria, Western Australia & Tasmania, our operations can deliver our complete range Australia wide both timely and cost effectively.

ITM are contracted suppliers to all major retail tool groups Australia wide, ensuring we offer complete national distribution of our market leading products.



PRODUCT SOLUTIONS

We pride ourselves on being a complete wholesale product solution for our chosen product categories. Being a specialist supplier allows us to give our retail distributors the best possible product solutions and service.

When developing our product ranges, our one goal is to offer a product that gives the professional user optimal return on investment. This has meant that over the past 29 years ITM have built a reputation for providing the Australian retail tool industry with products that offer the best-in-class value for money and the most highly demanded products on the market.



TECHNICAL EXPERTISE

We understand that high-quality service comes from an in-depth understanding of the applications where our products are used. Our company representatives all have a lifetime of experience using, selling and providing solutions for our products in the field, ensuring we have the technical expertise required to provide a high quality of sales support and after sales service.



AFTER SALES SERVICE

With our complete range of spare parts for serviceable tools, repairs done in house, plus a network of service agents Australia wide, your ITM product will be serviced with minimal downtime. ITM provide a complete product solution meaning we can ensure your product continues to stay in service for many years.

OFFICE & WAREHOUSE LOCATIONS



Brisbane - Head Office

ADDRESS 18 Business Street, Yatala, QLD, 4207

PHONE 07 3287 1114

EMAIL sales@industrialtool.com.au



Melbourne - Distribution Warehouse

ADDRESS 24 Randor Street, Campbellfield, VIC, 3061

PHONE 03 9357 9024

EMAIL melbourne@industrialtool.com.au



Perth - Distribution Warehouse

ADDRESS 23 Barley Place, Canning Vale, WA, 6155

PHONE 08 6323 5700

EMAIL perth@industrialtool.com.au



AIR COUPLERS

STEEL AIR LINE COUPLERS

- Approximate air flow: 1500 l/m (53cfm) at 85psi
- Sockets packed 5 per box
- Plugs packed 10 per box



Male Thread Plug		Female Thread Plug		Hose Tail Plug	
Part No.	Thread Size	Part No.	Thread Size	Part No.	Hose Size
NC20PM	1/4"	NC20PF	1/4"	NC20PH	5/16" (8mm)
NC30PM	3/8"	NC30PF	3/8"	NC30PH	3/8" (10mm)
NC40PM	1/2"	NC40PF	1/2"	NC40PH	1/2" (12mm)



Male Thread Socket		Female Thread Socket		Hose Tail Socket	
Part No.	Thread Size	Part No.	Thread Size	Part No.	Hose Size
NC20SM	1/4"	NC20SF	1/4"	NC20SH	5/16" (8mm)
NC30SM	3/8"	NC30SF	3/8"	NC30SH	3/8" (10mm)
NC40SM	1/2"	NC40SF	1/2"	NC40SH	1/2" (12mm)

SINGLE ACTION SOCKETS

- Approximate air flow: 1500 l/m (53cfm) at 85psi
- Packed 5 per box



Male Thread Socket		Female Thread Socket		Hose Tail Socket	
Part No.	Thread Size	Part No.	Thread Size	Part No.	Hose Size
T20SMT	1/4"	T20SFT	1/4"	T20SHT	5/16" (8mm)
T30SMT	3/8"	T30SFT	3/8"	T30SHT	3/8" (10mm)
T40SMT	1/2"	T40SFT	1/2"	T40SHT	1/2" (12mm)

STAINLESS-STEEL AIR LINE COUPLERS

- Approximate air flow: 1500 l/m (53cfm) at 85psi
- Packed 5 per box

Male Thread Socket		Female Thread Socket		Hose Tail Socket	
Part No.	Thread Size	Part No.	Thread Size	Part No.	Hose Size
SS20SM	1/4"	SS20SF	1/4"	SS20SH	5/16" (8mm)
SS30SM	3/8"	SS30SF	3/8"	SS30SH	3/8" (10mm)
SS40SM	1/2"	SS40SF	1/2"	SS40SH	1/2" (12mm)

Male Thread Plug		Female Thread Plug		Hose Tail Plug	
Part No.	Thread Size	Part No.	Thread Size	Part No.	Hose Size
SS20PM	1/4"	SS20PF	1/4"	SS20PH	5/16" (8mm)
SS30PM	3/8"	SS30PF	3/8"	SS30PH	3/8" (10mm)
SS40PM	1/2"	SS40PF	1/2"	SS40PH	1/2" (12mm)

HI-FLOW AIR LINE COUPLERS

- Approximate air flow: 12,000 l/m (423cfm) at 140psi



Male Thread Socket		Female Thread Socket		Hose Tail Socket	
Part No.	Thread Size	Part No.	Thread Size	Part No.	Hose Size
NC400SM	1/2"	NC400SF	1/2"	NC400SH	1/2" (12mm)
NC600SM	3/4"	NC600SF	3/4"	NC600SH	3/4" (19mm)
NC800SM	1"	NC800SF	1"	NC800SH	1" (25mm)



Male Thread Plug		Female Thread Plug		Hose Tail Plug	
Part No.	Thread Size	Part No.	Thread Size	Part No.	Hose Size
NC400PM	1/2"	NC400PF	1/2"	NC400PH	1/2" (12mm)
NC600PM	3/4"	NC600PF	3/4"	NC600PH	3/4" (19mm)
NC800PM	1"	NC800PF	1"	NC800PH	1" (25mm)

SWIVEL AIR MANIFOLDS

- Input: 1/4"
- Output: 1/4"
- Single action couplers



Part No.	Description
SRL-S13	2-way With 1/4" Female Air Inlet
SRLS-S13	2-way With 1/4" Plug Inlet
SRT-S13	3-way With 1/4" Female Air Inlet

Y INLINE AIR MANIFOLDS

- Input: 1/4"
- Output: 1/4"
- Single action couplers
- Include NC20PM plug



Part No.	Description
SMV-2	2-way 'Y' Inline Air Manifold Incl. 20PM Fitting
SMY-3	3-way 'Y' Inline Air Manifold Incl. 20PM Fitting



AIR MANIFOLDS

AIR MANIFOLD BODIES

- Input: 1/4"
- Output: 1/4"



Part No.	Description
SML-2B	2-way Air Manifold Body
SMT-3B	3-way Air Manifold Body
SMM-4B	4-way Air Manifold Body
SMX-5B	5-way Air Manifold Body

AIR MANIFOLDS - STANDARD COUPLERS

- Input: 1/4"
- Output: 1/4"
- Includes NC20PM plug



Part No.	Description
SML-2S	2-way Air Manifold With Standard Couplers
SMT-3S	3-way Air Manifold With Standard Couplers
SMM-4S	4-way Air Manifold With Standard Couplers
SMX-5S	5-way Air Manifold With Standard Couplers

AIR MANIFOLDS - SINGLE ACTION COUPLERS

- Input: 1/4"
- Output: 1/4"
- Includes NC20PM plug



Part No.	Description
SML-2	2-way Air Manifold With Single Action Couplers
SMT-3	3-way Air Manifold With Single Action Couplers
SMM-4	4-way Air Manifold With Single Action Couplers
SMX-5	5-way Air Manifold With Single Action Couplers

MOUNTABLE AIR MANIFOLDS

- Input: 1/2"
- Output: 1/4"



Part No.	Description
SM2BA	2-way In Line Air Mountable Manifold
SM3BA	3-way In Line Air Mountable Manifold
SM4BA	4-way In Line Air Mountable Manifold
SM5BA	5-way In Line Air Mountable Manifold

MOUNTABLE AIR MANIFOLD BODIES

- Input: 1/2"
- Output: 1/4"



Part No.	Description
SM2BP	2-way Air Manifold Body
SM3BP	3-way Air Manifold Body
SM4BP	4-way Air Manifold Body
SM5BP	5-way Air Manifold Body

SWIVEL COUPLER



Part No.	Description
NC-J702	Hose Tail, 1/4" Thread Size

SILENCER



Part No.	Description
JSL02	1/4" Outlet

WILKERSON L01-02 AIR TOOL OILER

- Extra heavy-duty



Part No.	Description
L01-OILER	3/8" Heavy-Duty Inline Oiler



FILTERS & REGULATORS

AIR FILTER REGULATORS

- Sintered bronze filter element
- Max input pressure: 175 psi
- Max output pressure: 145 psi
- 80ml drain capacity
- Includes mounting bracket



Part No.	Port Size	Drain Style	Max. Flow
	Inch	rpm	l/min
TM340-012	1/4"	Semi-Auto	1750
TM340-014	1/2"	Automatic	3000

MOUNTING BRACKETS FOR LUBRICATOR OR FILTER



Part No.	Code	Description
GZ-60610	A2C31	Suit Miniature Units
GZ-60611	A2C32	Suit Intermediate Units
GZ-60612	A2C33	Suit Standard Units
GZ-60613	A2C34	Suit Heavy-Duty Units

EXTERNAL AUTO DRAIN VALVES

The auto drain valve drains the condensate water automatically. In addition to automatic draining, there is also provision in the valve for manual drain off.

Unlike an electrical auto drain valve, these float type auto drain valves operates only when the condensate is collected & drains only the condensate.



Part No.	Code	Description
GZ-60621	A2D02	Suit Intermediate Units
GZ-60622	A2D03	Suit Standard Units
GZ-60623	A2D04	Suit Heavy-Duty Units

PRESSURE GAUGES

- Bar & psi with a maximum reading of 200psi (14bar)
- Graduated in intervals of 5psi (0.20bar) and is accurate to within 5%



Part No.	Code	Description
GZ-60630	A2G02	1/8" BSP
GZ-60631	A2G08	1/4" BSP

DIGITAL PRESSURE GAUGES

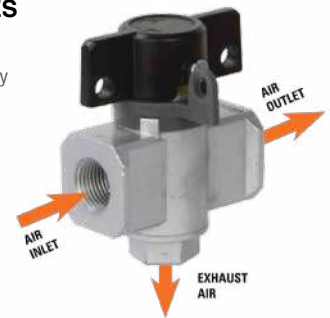
- Maximum pressure: 300psi (20bar)
- Measuring range: 0 to 150psi, 0 to 10bar, 0 to 1.0 MPa, or 0 to 10kg/cm²
- Minimum reading: 0.1psi, 0.01bar, 0.001 MPa, 0.01kg/cm²
- Water proof rating: IP65
- Compared to a mechanical gauge, the digital gauge offers higher accuracy, higher pressure, better resistance to vibration & easier reading (back lit)



Part No.	Code	Description
GZ-60632	DPG/L/1-8/B	1/8" For Use With Miniature, Intermediate & Standard Models
GZ-60633	DPG/L/1-4/B	1/4" For Use With Heavy-Duty Models

SAFETY LOCKOUT VALVES

- The Safety Lockout valve is a hand operated, knob-type, 2 positions, 3-way valve that can be turned to Supply or Exhaust
- Provision for external pad lock for preventing accidental actuation during lock out
- Modular construction allows the valve to be connected with any of the Groz air control units using a spacer
- Lockout valves are threaded both at inlet & outlet
- 145psi Maximum pressure



Part No.	Code	Port Size	Flow Supply Rate cfm (lpm)	Flow Exhaust Rate cfm (lpm)	Height x Width
GZ-60721	LKV/1361	1/4"	35 (1000)	16 (450)	73 x 45mm
GZ-60723	LKV/1462	3/8"	78 (2200)	39 (1100)	85 x 55mm
GZ-60724	LKV/1563	1/2"	115 (3250)	56 (1600)	94 x 70mm

AIR SPACERS

Used to connect 2 components in modular assemblies



Part No.	Code	Description
GZ-60650	A2S01	Suit Miniature Units
GZ-60651	A2S02	Suit Intermediate Units
GZ-60652	A2S03	Suit Standard Units
GZ-60653	A2S04	Suit Heavy-Duty Units
GZ-60654	A2T01	Suit Miniature Units, Comes With Air Outlet Port
GZ-60655	A2T02	Suit Intermediate Units, Comes With Air Outlet Port
GZ-60656	A2T03	Suit Standard Units, Comes With Air Outlet Port
GZ-60640	A2W01	Wall Mounting Bracket, Suit Miniature Units
GZ-60641	A2W02	Wall Mounting Bracket, Suit Intermediate Units
GZ-60642	A2W03	Wall Mounting Bracket, Suit Standard Units
GZ-60643	A2W04	Wall Mounting Bracket, Suit Heavy-Duty Units
GZ-60657	A2V01	Wall Mounting Bracket With Air Outlet Port, Suit Miniature Units
GZ-60658	A2V02	Wall Mounting Bracket With Air Outlet Port, Suit Intermediate Units
GZ-60659	A2V03	Wall Mounting Bracket With Air Outlet Port, Suit Standard Units

FILTERS & REGULATORS

AIR REGULATORS

- Non raising "Press to Lock" adjusting knob for locking at any set pressure
- Diaphragm operated, relieving type mechanism with pressure compensated by balanced poppet. These can be installed in any position & need not be vertically mounted
- Intermediate, standard and heavy-duty regulators with in-built venturi for flow compensation
- 220psi maximum pressure
- 0° - 60° ambient temperature
- Modular mounting and vertical mounting features
- Includes gauge & bracket



Part No.	Code	Description	Port Size	Pressure Gauge Port Size	Flow Rate cfm (lpm)	Height x Width mm
GZ-60020	R13604/gb	Miniature	1/8"	1/8"	17 (480)	81 x 40
GZ-60021	R13614/gb	Miniature	1/4"	1/8"	21 (600)	81 x 40
GZ-60022	R14614/gb	Intermediate	1/4"	1/8"	56 (1600)	135 x 55
GZ-60023	R14624/gb	Intermediate	3/8"	1/8"	88 (2500)	135 x 55
GZ-60024	R15634/gb	Standard	1/2"	1/8"	140 (4000)	165 x 70
GZ-60025	R17644/gb	Heavy-Duty	3/4"	1/4"	175 (5000)	177 x 90
GZ-60026	R17654/gb	Heavy-Duty	1"	1/4"	210 (6000)	177 x 90

AIR FILTERS

- Die cast aluminium filter head, polycarbonate bowl with a steel bowl guard & high-performance sintered 40 micron bronze filtering element
- Designed with a separator & shield for efficient moisture separation
- 145psi maximum pressure
- 0° - 60° ambient temperature
- Modular mounting and vertical mounting features



Part No.	Code	Description	Port Size	Flow Rate cfm (lpm)	Bowl Size	Height x Width mm
GZ-60100	F13603-S	Miniature	1/8"	11 (310)	9ml	113 x 40
GZ-60101	F13613-S	Miniature	1/4"	28 (800)	9ml	113 x 40
GZ-60102	F14613-S	Intermediate	1/4"	49 (1400)	32ml	140 x 55
GZ-60103	F14623-S	Intermediate	3/8"	80 (2250)	32ml	140 x 55
GZ-60104	F15633-S	Standard	1/2"	125 (3500)	44ml	172 x 70
GZ-60105	F17643-S	Heavy-Duty	3/4"	175 (5000)	165ml	260 x 90
GZ-60106	F17653-S	Heavy-Duty	1"	230 (6500)	165ml	260 x 90

COALESCING AIR FILTERS

- Used to remove sub-micronic oil, water droplets and solid contaminants
- Choice of 0.01 micron or 0.10 micron filtering element
- Die cast aluminium filter head, polycarbonate bowl with a steel bowl guard & high-performance Borosilicate filtering element
- Designed with a separator for efficient moisture separation
- Press type manual drain with night time drain feature which automatically drains off the bowl once the compressed air supply to the filter is switched off



Part No.	Code	Description	Port Size
GZ-60804	FS15633-S	0.10 Micron, Standard	1/2"
GZ-60824	FS15632-S	0.01 Micron, Standard	1/2"

AIR FILTER REGULATORS

- Die cast aluminium body, polycarbonate bowl and a high-performance sintered bronze filtering element
- Pressure adjustment range of 7 - 145psi (0.5 - 10bar)
- 40 micron filtering element press type manual drain with night time drain feature which automatically drains off the bowl once the compressed air supply to the filter is switched off
- 1/8" Pressure gauge port size for miniature to standard, 1/4" for heavy-duty
- Miniature have a threaded type steel bowl guard
- Intermediate to heavy-duty have a bayonet type steel bowl guard, regulator with in-built venturi for flow compensation
- 0° - 60° ambient temperature
- Modular mounting and vertical mounting features
- Includes gauge & bracket



Part No.	Code	Description	Port Size	Flow Rate cfm (lpm)	Bowl Size	Height x Width mm
GZ-60321	Frc136034-s/gb	Miniature	1/8"	14 (400)	9ml	170 x 40
GZ-60322	Frc136134-s/gb	Miniature	1/4"	20 (550)	9ml	170 x 40
GZ-60323	Frc146134-s/gb	Intermediate	1/4"	63 (1800)	32ml	220 x 55
GZ-60324	Frc146234-s/gb	Intermediate	3/8"	77 (2200)	32ml	220 x 55
GZ-60325	Frc156334-s/gb	Standard	1/2"	106 (3000)	44ml	280 x 70
GZ-60326	Frc176434-s/gb	Heavy-Duty	3/4"	149 (4250)	165ml	370 x 90
GZ-60327	Frc176534-s/gb	Heavy-Duty	1"	190 (5500)	165ml	370 x 90

AIR FILTER REGULATOR & LUBRICATORS

With all of the features of the standard Groz air filter regulator, and air lubricator

- 1/8" Pressure gauge port size for miniature to standard, 1/4" for heavy-duty
- Come complete with a wall mounting bracket



Part No.	Code	Description	Port Size	Flow Rate cfm (lpm)	Filter Bowl Size	Lubricator Bowl Size
GZ-60405	Frc1m136134-s/g	Miniature	1/4"	18 (500)	9ml	20ml
GZ-60421	Frc1m146134-s/g	Intermediate	1/4"	53 (1500)	32ml	57ml
GZ-60406	Frc1m146234-s/g	Intermediate	3/8"	63 (1800)	32ml	57ml
GZ-60407	Frc1m156334-s/g	Standard	1/2"	99 (2800)	44ml	152ml
GZ-60408	Frc1m176434-s/g	Heavy-Duty	3/4"	123 (3500)	165ml	200ml
GZ-60409	Frc1m176534-s/g	Heavy-Duty	1"	124 (4000)	165ml	200ml

AIR LUBRICATORS

- 145psi maximum pressure
- 0° - 60° ambient temperature
- Maintain a constant oil-to-air density over a wide range of flow
- The Groz L1 series lubricators are fog / micro-mist type, up to 50' pipe runs
- Die cast aluminium head, polycarbonate bowl with a steel bowl guard. The head is fitted with oil drop indicator, oil drop controller & oil filling plug.
- Modular mounting and vertical mounting features



Part No.	Code	Description	Port Size	Flow Rate cfm (lpm)	Bowl Size	Height x Width
GZ-60200	L1360	Miniature	1/8"	16 (450)	20ml	135 x 40mm
GZ-60201	L1361	Miniature	1/4"	48 (1350)	20ml	135 x 40mm
GZ-60206	L1461	Intermediate	1/4"	58 (1650)	57ml	157 x 55mm
GZ-60202	L1462	Intermediate	3/8"	106 (3000)	57ml	157 x 55mm
GZ-60203	L1563	Standard	1/2"	200 (5650)	152ml	190 x 70mm
GZ-60204	L1764	Heavy-Duty	3/4"	255 (7200)	200ml	273 x 90mm
GZ-60205	L1765	Heavy-Duty	1"	318 (9000)	200ml	273 x 90mm



PUSH FIT FITTINGS

MALE STRAIGHT NIPPLE

For use with THB polyurethane air hose



Part No.	Thread Size	Tube Outside Diameter Size
JPC04M5	M5	4mm
JPC06M5	M5	6mm
JPC0401	1/8"	4mm
JPC0402	1/4"	4mm
JPC0601	1/8"	6mm
JPC0602	1/4"	6mm
JPC0603	3/8"	6mm
JPC0604	1/2"	6mm
JPC0801	1/8"	8mm
JPC0802	1/4"	8mm
JPC0803	3/8"	8mm
JPC0804	1/2"	8mm
JPC1001	1/8"	10mm
JPC1002	1/4"	10mm
JPC1003	3/8"	10mm
JPC1004	1/2"	10mm
JPC1202	1/4"	12mm
JPC1203	3/8"	12mm
JPC1204	1/2"	12mm

STRAIGHT UNION

For use with THB polyurethane air hose



Part No.	Tube Outside Diameter Size
JPU0404	4mm
JPU0606	6mm
JPU0808	8mm
JPU1010	10mm
JPU1212	12mm

TRIPLE BRANCH UNION

For use with THB polyurethane air hose



Part No.	Tube Outside Diameter Size
JPF04	4mm
JPF06	6mm
JPF08	8mm

MALE TEE

For use with THB polyurethane air hose



Part No.	Thread Size	Tube Outside Diameter Size
JPB0401	1/8"	4mm
JPB0402	1/4"	4mm
JPB0601	1/8"	6mm
JPB0602	1/4"	6mm
JPB0603	3/8"	6mm
JPB0801	1/8"	8mm
JPB0802	1/4"	8mm
JPB0803	3/8"	8mm
JPB1001	1/8"	10mm
JPB1002	1/4"	10mm
JPB1003	3/8"	10mm
JPB1004	1/2"	10mm
JPB1202	1/4"	12mm
JPB1203	3/8"	12mm
JPB1204	1/2"	12mm

MALE ELBOW

For use with THB polyurethane air hose



Part No.	Thread Size	Tube Outside Diameter Size
JPL04M5	M5	4mm
JPL06M5	M5	6mm
JPL0401	1/8"	4mm
JPL0402	1/4"	4mm
JPL0601	1/8"	6mm
JPL0602	1/4"	6mm
JPL0603	3/8"	6mm
JPL0604	1/2"	6mm
JPL0801	1/8"	8mm
JPL0802	1/4"	8mm
JPL0803	3/8"	8mm
JPL0804	1/2"	8mm
JPL1001	1/8"	10mm
JPL1002	1/4"	10mm
JPL1003	3/8"	10mm
JPL1004	1/2"	10mm
JPL1202	1/4"	12mm
JPL1203	3/8"	12mm
JPL1204	1/2"	12mm



MALE BRANCH TEE

For use with THB polyurethane air hose

Part No.	Thread Size	Tube Outside Diameter Size
JPD0401	1/8"	4mm
JPD0402	1/4"	4mm
JPD0601	1/8"	6mm
JPD0602	1/4"	6mm
JPD0603	3/8"	6mm
JPD0801	1/8"	8mm
JPD0802	1/4"	8mm
JPD0803	3/8"	8mm
JPD1001	1/8"	10mm
JPD1002	1/4"	10mm
JPD1003	3/8"	10mm
JPD1004	1/2"	10mm
JPD1202	1/4"	12mm
JPD1203	3/8"	12mm
JPD1204	1/2"	12mm



UNIVERSAL BANJO ELBOW

For use with THB polyurethane air hose

Part No.	Thread Size	Tube Outside Diameter Size
JPH0401	1/8"	4mm
JPH0402	1/4"	4mm
JPH0601	1/8"	6mm
JPH0602	1/4"	6mm
JPH0603	3/8"	6mm
JPH0801	1/8"	8mm
JPH0802	1/4"	8mm
JPH0803	3/8"	8mm
JPH0804	1/2"	8mm
JPH1002	1/4"	10mm
JPH1003	3/8"	10mm
JPH1004	1/2"	10mm
JPH1202	1/4"	12mm
JPH1203	3/8"	12mm



FEMALE STRAIGHT NIPPLE

For use with THB polyurethane air hose

Part No.	Thread Size	Tube Outside Diameter Size
JPCF0401	1/8"	4mm
JPCF0601	1/8"	6mm
JPCF0602	1/4"	6mm
JPCF0603	3/8"	6mm
JPCF0801	1/8"	8mm
JPCF0802	1/4"	8mm
JPCF0803	3/8"	8mm
JPCF1002	1/4"	10mm
JPCF1003	3/8"	10mm
JPCF1004	1/2"	10mm
JPCF1203	3/8"	12mm
JPCF1204	1/2"	12mm



SPEED CONTROLLER ELBOW

For use with THB polyurethane air hose

Part No.	Thread Size	Tube Outside Diameter Size
JSC0401	1/8"	4mm
JSC0402	1/4"	4mm
JSC0601	1/8"	6mm
JSC0602	1/4"	6mm
JSC0603	3/8"	6mm
JSC0801	1/8"	8mm
JSC0802	1/4"	8mm
JSC0803	3/8"	8mm
JSC0804	1/2"	8mm
JSC1002	1/4"	10mm
JSC1003	3/8"	10mm
JSC1004	1/2"	10mm
JSC1202	1/4"	12mm
JSC1203	3/8"	12mm



UNION ELBOW

For use with THB polyurethane air hose

Part No.	Tube Outside Diameter Size
JPV04	4mm
JPV06	6mm
JPV08	8mm
JPV10	10mm
JPV12	12mm



INLINE SPEED CONTROLLER

For use with THB polyurethane air hose

Part No.	Tube Outside Diameter Size
JVA04	4mm
JVA06	6mm
JVA08	8mm
JVA10	10mm



BULKHEAD UNION

For use with THB polyurethane air hose

Part No.	Thread Size	Tube Outside Diameter Size
JPM04	M12	4mm
JPM06	M14	6mm
JPM08	M16	8mm
JPM10	M20	10mm
JPM12	M22	12mm



INLINE "Y" UNION

For use with THB polyurethane air hose

Part No.	Tube Outside Diameter Size
JPY04	4mm
JPY06	6mm
JPY08	8mm
JPY10	10mm
JPY12	12mm



MALE BRANCH "Y"

For use with THB polyurethane air hose

Part No.	Thread Size	Tube Outside Diameter Size
JPX0401	1/8"	4mm
JPX0402	1/4"	4mm
JPX0601	1/8"	6mm
JPX0602	1/4"	6mm
JPX0603	3/8"	6mm
JPX0801	1/8"	8mm
JPX0802	1/4"	8mm
JPX0803	3/8"	8mm
JPX1002	1/4"	10mm
JPX1003	3/8"	10mm
JPX1004	1/2"	10mm
JPX1202	1/4"	12mm
JPX1203	3/8"	12mm
JPX1204	1/2"	12mm



UNION TEE

For use with THB polyurethane air hose

Part No.	Tube Outside Diameter Size
JPE04	4mm
JPE06	6mm
JPE08	8mm
JPE10	10mm
JPE12	12mm



STRAIGHT POLYURETHANE AIR HOSE



Part No.	Internal Diameter	Outside Diameter	Colour	Length
HUS2504BS	2.5mm	4mm	Blue	200m
HUS2504BK	2.5mm	4mm	Black	200m
HUS4006BS	4mm	6mm	Blue	200m
HUS4006BK	4mm	6mm	Black	200m
HUS5508BS	5.5mm	8mm	Blue	100m
HUS5508BK	5.5mm	8mm	Black	100m
HUS6510BS	6.5mm	10mm	Blue	100m
HUS6510BK	6.5mm	10mm	Black	100m
HUS8012BS	8mm	12mm	Blue	100m
HUS8012BK	8mm	12mm	Black	100m

BRAIDED POLYURETHANE AIR HOSE



Part No.	Internal Diameter	Outside Diameter	Colour	Length
HUB6510	6.5mm	10mm	Yellow	100m
HUB8012	8mm	12mm	Blue	100m

PREMIUM POLYURETHANE RECOIL AIR HOSE

With single action fittings



Part No.	Internal Diameter	Outside Diameter	Colour	Length
HUZ5508-05BS	5.5mm	8mm	Blue	5m
HUZ5508-10BS	5.5mm	8mm	Blue	10m
HUZ6510-05BS	6.5mm	10mm	Blue	5m
HUZ6510-10BS	6.5mm	10mm	Blue	10m
HUZ8012-05BS	8mm	12mm	Blue	5m
HUZ8012-10BS	8mm	12mm	Blue	10m

PREMIUM POLYURETHANE RECOIL AIR HOSE

Without fittings



Part No.	Internal Diameter	Outside Diameter	Colour	Length
HUR5508-05BS	5.5mm	8mm	Blue	5m
HUR5508-10BS	5.5mm	8mm	Blue	10m
HUR6510-05BS	6.5mm	10mm	Blue	5m
HUR6510-10BS	6.5mm	10mm	Blue	10m
HUR8012-05BS	8mm	12mm	Blue	5m
HUR8012-10BS	8mm	12mm	Blue	10m

ECONOMY POLYURETHANE RECOIL AIR HOSE

With single action fittings



Part No.	Internal Diameter	Outside Diameter	Colour	Length
HUZ8012-050R	8mm	12mm	Orange	4.5m
HUZ8012-100R	8mm	12mm	Orange	9m

- Magnetic Base Drilling Machines
- Cutting Tools
- Brushware
- Hand Tools
- Clamps & Vices
- Engineer's & Measuring Tools
- Sharpening Machines
- Metal Cutting Saws
- Drilling Machines
- Grinding Machines
- Benders
- Bevelling Machines & Welding Carriages
- Punches & Shears
- Fans & Ventilators
- Workshop Storage
- Generators & Pumps
- Air Compressors
- Pneumatic Products
- M7 Air Tools
- Impact Sockets
- NPK Air Tools



AIR HOSE

PVC AIR HOSE UNFITTED

- High-quality durable P.V.C. air hose
- Grease, oil and abrasion resistant
- 300psi maximum working pressure
- Non-marking
- 3/8" (10mm) internal diameter



Part No.	Hose Length	Internal Diameter
TM300-120	20m	3/8"
TM300-130	30m	3/8"

PVC AIR HOSE FITTED WITH COUPLERS

- High-quality durable P.V.C. air hose
- Nitto style quick release fittings
- Bend restrictor extends hose line
- Grease, oil and abrasion resistant
- 300psi maximum working pressure
- Non-marking
- 3/8" (10mm) internal diameter



Part No.	Hose Length	Internal Diameter
TM300-210	10m	3/8"
TM300-220	20m	3/8"
TM300-230	30m	3/8"

PVC AIR HOSE BULK

- High-quality durable P.V.C. air hose
- Grease, oil and abrasion resistant
- 300psi maximum working pressure
- Non-marking
- 3/8" (10mm) internal diameter
- No fittings or collar



Part No.	Hose Length	Internal Diameter
TM300-1100	100m	3/8"
TM300-1200	200m	3/8"

HIGH FLEX AIR HOSE THREADED FITTING

- Hybrid polymer High-Flex hose
- Anti-kink technology, the hose will not kink when under pressure
- 1/4" BSP male threaded fitting, allowing any coupling style to be fitted
- Superior all-weather flexibility -5°C to 65°C
- 300psi maximum working pressure
- Hi-visibility for safety
- 3/8" (10mm) internal diameter



Part No.	Hose Length	Internal Diameter
TM300-315	15m	3/8"
TM300-330	30m	3/8"

HIGH FLEX AIR HOSE FITTED WITH COUPLERS

- Hybrid polymer High-Flex hose
- Nitto style quick release fittings
- Anti-kink technology, the hose will not kink when under pressure
- Superior all-weather flexibility -5°C to 65°C
- 300psi maximum working pressure
- Hi-visibility for safety
- 3/8" & 1/2" internal diameters available



Part No.	Hose Length	Internal Diameter
TM300-315N	15m	3/8"
TM300-330N	30m	3/8"
TM300-415	15m	1/2"
TM300-430	30m	1/2"

HIGH FLEX AIR HOSE BULK

- Hybrid polymer High-Flex hose
- Anti-kink technology, the hose will not kink when under pressure
- Superior all-weather flexibility -5°C to 65°C
- 300psi maximum working pressure
- Hi-visibility for safety
- 3/8", 1/2", 3/4" internal diameters available



Part No.	Hose Length	Internal Diameter
TM300-3100	100m	3/8"
TM300-4100	100m	1/2"
TM300-5100	100m	3/4"



AIR HOSE REELS

15M RETRACTABLE AIR HOSE REEL

- Reinforced P.V.C. hose
- Auto lock to any required length
- Auto track guided hose layering system
- Adjustable hose stopper
- Detachable 180° swivel mounting bracket



Part No.	Max Working Pressure	Leader Hose Length	Hose I.D.
TM300-015	250psi	1.5m	10mm

20M RETRACTABLE AIR HOSE REEL

- Hybrid Polymer High Flex hose
- Superior all-weather flexibility, will not kink, even in extreme temperatures -5°C to 65°C
- High visibility fluoro orange hose
- Auto lock to any required length
- Auto track guided hose layering system
- Adjustable hose stopper
- Detachable 180° swivel mounting bracket



Part No.	Max Working Pressure	Leader Hose Length	Hose I.D.
TM300-020	250psi	2.0m	10mm

30M MANUAL AIR HOSE REEL

- Braided P.V.C. hose
- Durable powder coated, steel frame
- Wall mount bracket included
- Bend restrictor extends hose line



Part No.	Max Working Pressure	Leader Hose Length	Hose I.D.
TM300-030	300psi	1.0m	8mm

40M MANUAL AIR HOSE REEL

- Braided P.V.C. hose
- Durable powder coated, steel frame
- Wall mount bracket included
- Bend restrictor extends hose line



Part No.	Max Working Pressure	Leader Hose Length	Hose I.D.
TM300-040	300psi	1.0m	8mm



AIR BLOW GUNS

STANDARD AIR BLOW GUNS

M7-JC405
125mm



M7-JC410
250mm



M7-JC412
305mm



M7-JC424
610mm



M7-JC435
890mm



M7-JC0424 AIR BLOW GUN MERCHANDISER

Open dimensions: 480mm (W) x 300mm (D) x 360mm (H)

Package Includes:

- 8x 125mm M7 Blow Guns M7-JC405
- 8x 250mm M7 Blow Guns M7-JC410
- 8x 305mm M7 Blow Guns M7-JC412



M7-JC0415 AIR BLOW GUN MERCHANDISER

Open dimensions: 220mm (W) x 220mm (D) x 365mm (H)

Package Includes:

- 15x 125mm M7 Blow Guns M7-JC405



Part No.	Nozzle Length		Working Pressure	Air Inlet	Max Pressure	Avg. Air Consumption (1/4" Hose)	Avg. Air Consumption (3/8" Hose)	Net Weight	Sound Pressure
	mm	inch							
M7-JC405	125	5"	75-120	1/4"	150	13	15	0.11	90
M7-JC410	250	10"	75-120	1/4"	150	13	15	0.12	90
M7-JC412	305	12"	75-120	1/4"	150	13	15	0.13	90
M7-JC424	610	24"	75-120	1/4"	150	13	15	0.14	90
M7-JC435	890	35"	75-120	1/4"	150	13	15	0.25	90
Part No.	Description								
M7-JC0424	Air Blow Gun Merchandiser, 24pc								
M7-JC0415	Air Blow Gun Merchandiser, 15pc								



AIR BLOW GUNS

M7-JC405L STRAIGHT NOZZLE AIR BLOW GUN

- Air inlet: 1/4" metal fitting
- Net weight: 0.11kg
- Nozzle length: 4" / 100mm
- Durable body



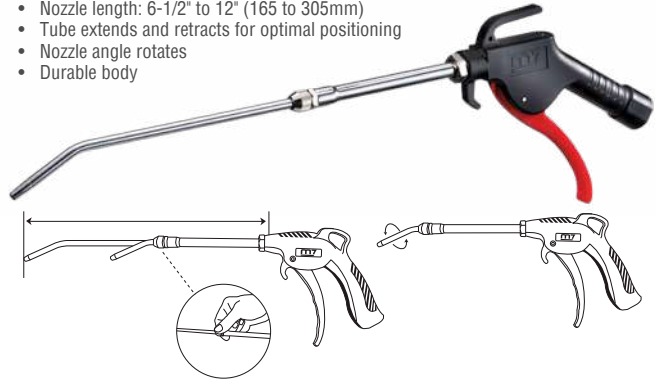
M7-JC410L STRAIGHT NOZZLE AIR BLOW GUN EXTENDED REACH

- Air inlet: 1/4" metal fitting
- Net weight: 0.12kg
- Nozzle length: 10" / 250mm
- Durable body



M7-JC202 EXTENDABLE SWIVEL AIR BLOW GUN

- Air inlet: 1/4" metal fitting
- Net weight: 0.22kg
- Nozzle length: 6-1/2" to 12" (165 to 305mm)
- Tube extends and retracts for optimal positioning
- Nozzle angle rotates
- Durable body



STANDARD SAFETY TIPS

- For use with M7-JC3 M7-JC4 & M7-JC5 series blow guns



M7-JC640 1016MM M7-JC680 2032MM SUPER AIR BLOW GUN

- Air Inlet: 1/4" metal fitting
- Venturi nozzle with 3x airflow



Part No.	Nozzle Length		Working Pressure	Air Inlet	Max Pressure	Avg. Air Consumption (1/4" Hose)	Avg. Air Consumption (3/8" Hose)	Net Weight	Sound Pressure
	mm	inch							
M7-JC405L	100	4"	75-120	1/4"	150	13	15	0.11	90
M7-JC410L	250	10"	90-120	1/4"	150	13	15	0.12	90
M7-JC202	165 to 305	6-1/2" to 12"	90-120	1/4"	220	13	15	0.22	75
M7-JC640	1016	40"	75-120	1/4"	150	13	15	0.34	90
M7-JC680	2032	80"	75-120	1/4"	150	13	15	0.64	90
Part No.	Description								
M7A-JC291	Safety Tip To Suit M7-JC3 & M7-JC5 Blow Guns (Supplied As A Bulk Item)								
M7A-JC292	Safety Tip To Suit M7-JC3 & M7-JC5 Blow Guns (Supplied In Individual Hang Pack)								
M7A-JC491	Safety Tip To Suit M7-JC4 Blow Guns (Supplied As A Bulk Item)								

AIR BLOW GUNS

GENERAL PURPOSE BLOW GUN

- Does not have features of Professional Series
- Polyacetal body
- 114mm aluminium nozzle
- 1/4" brass threaded air inlet
- Vented tip to prevent pressure exceeding 30psi in case of blockage



Part No.	Code	Description
GZ-61080	ABG-30	General Purpose Blow Gun

PROFESSIONAL BLOW GUN

- Corrosion resistant stainless-steel metal parts
- 1/4" Brass threaded air inlet
- High-quality impact & weather resistant nylon body
- Variable flow trigger with moulded rubber grip
- Silenced operation with noise level below 80dB
- 50 to 235 psi operating pressure
- -10° to +70° operating temperature



Part No.	Code	Description
GZ-61000	ABG-1	Professional Air

SAFETY BLOW GUN

All of the professional features, plus:

- Snub nose soft rubber tip
- Safety model

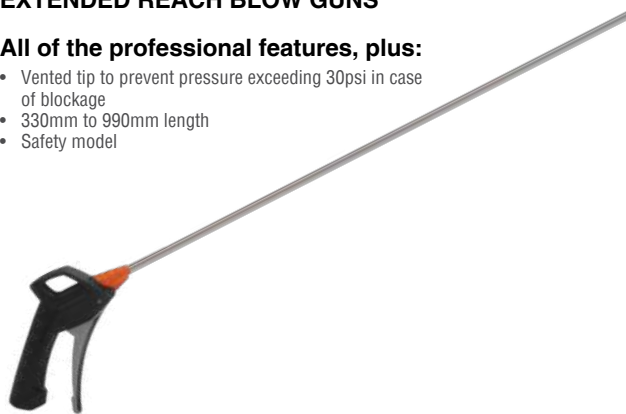


Part No.	Code	Description
GZ-61001	ABG-2	Safety Blow Gun

EXTENDED REACH BLOW GUNS

All of the professional features, plus:

- Vented tip to prevent pressure exceeding 30psi in case of blockage
- 330mm to 990mm length
- Safety model



Part No.	Code	Description
GZ-61020	ABG-3A	Extended Reach Blow Gun 330mm
GZ-61021	ABG-3B	Extended Reach Blow Gun 508mm
GZ-61022	ABG-3C	Extended Reach Blow Gun 990mm

The Professional Series air blow guns feature:

- Corrosion resistant stainless-steel metal parts
- 1/4" Brass threaded air inlet
- High-quality impact & weather resistant nylon body
- Variable flow trigger with moulded rubber grip
- Silenced operation with noise level below 80dB
- 50 to 235 psi operating pressure
- -10° to +70° operating temperature

114MM BLOW GUN

All of the professional features, plus:

- 114mm long stainless-steel nozzle
- Vented tip to prevent pressure exceeding 30psi in case of blockage
- Safety model



Part No.	Code	Description
GZ-61002	ABG-3	114mm Blow Gun
GZ-61052	NZL/VEN/ABG/3	Venturi Nozzle To Suit ABG-3
GZ-61053	NZL/RT1/ABG/3	Rubber Tip, 1/2" (12.7mm) To Suit ABG-3
GZ-61054	NZL/RT2/ABG/3	Rubber Tip, 1" (25.4mm) To Suit ABG-3
GZ-61055	NZL/RT3/ABG/3	Rubber Tip, 1-3/8" (35mm) To Suit ABG-3
GZ-64050	PS/ABG/3	Protective Shield, 4" (100mm) To Suit ABG-3
GZ-61051	NZL/SIL/ABG/3	Silencer Nozzle To Suit ABG-3

SILENCED BLOW GUN

All of the professional features, plus:

- 114mm long stainless-steel nozzle & silencer
- Noise level 75dB at 100psi
- Snub nose soft rubber tip
- Safety model



Part No.	Code	Description
GZ-61003	ABG-4	Silenced Blow Gun

BLOW GUN KIT

7-piece kit including:

- GZ-61002 114mm air blow gun
- 4" (100mm) protective shield
- Soft rubber silencer nozzle for use on delicate materials
- Venturi nozzle for turbo charged output
- 12.7mm (1/2") rubber tip
- 25.4mm (1") rubber tip
- 35mm (1-3/8") rubber tip



Part No.	Code	Description
GZ-61070	ABG-3KIT	Blow Gun Kit

PRO SERIES SAFETY AIR BLOW GUNS

- Unlike any other metal body lever air gun, the Groz Pro Series feature a revolutionary Venturi mechanism that uses side ports to combine free ambient air with costly compressed air, creating a much higher volume of usable output
- Manufactured from die cast aluminium; these are made to last in the harshest environments
- Ergonomic design of the body & large dip coated operating lever reduces user fatigue & discomfort, even during extended use
- 1/4" Female inlet
- 1/8" Female outlet
- Variable air control
- Max pressure: 150psi (10bar)
- Max dB: 85

1/2" RUBBER TIP



Part No.	Code	OAL	Description
GZ-61200	LAG/A/1-4	127mm	1/2" Rubber Tip Pro Series Blow Gun

STANDARD MODEL - SAFETY MODEL



Part No.	Code	OAL	Description
GZ-61202	LAG/C/1-4	109mm	Standard Pro Series Blow Gun

HIGH FLOW - SAFETY MODEL



Part No.	Code	OAL	Description
GZ-61203	LAG/D/1-4	132mm	High Flow Pro Series Blow Gun

TAMPERPROOF - SAFETY MODEL



Part No.	Code	OAL	Description
GZ-61205	LAG/F/1-4	127mm	Tamperproof Pro Series Blow Gun

SILENCER NOZZLE



Part No.	Code	OAL	Description
GZ-61208	LAG/J/1-4	135mm	Silencer Nozzle Pro Series Blow Gun

WIRE TUBE BRUSH



Part No.	Code	Description
GZ-61215	LAG/S/1-4	Wire Tube Brush Pro Series Blow Gun

PRO SERIES SAFETY AIR BLOW GUN KITS

GZ-61260 6-PIECE KIT

Package Includes:

- Pro series safety air blow gun
- 1/2" rubber tip (GZ-61277)
- Stainless-steel needle, 1-3/4" x 0.072" Ø (GZ-61290)
- Stainless-steel needle, 2-15/32" x 0.095" Ø (GZ-61291)
- Mini aluminium tip (GZ-61289)
- 3" Long nylon tapered tube (GZ-61288)



Part No.	Code
GZ-61260	KIT/LAG/6/ST

GZ-61263 5-PIECE KIT

Package Includes:

- Pro series safety air blow gun
- 1/2" Rubber tip (GZ-61277)
- Standard safety tip (GZ-61279)
- Stainless-steel needle, 1-3/4" x 0.072" Ø (GZ-61290)
- Stainless-steel needle, 2-15/32" x 0.095" Ø (GZ-61291)



Part No.	Code
GZ-61263	KIT/LAG/5A/ST

GZ-61261 8-PIECE KIT

Package Includes:

- Pro series safety air blow gun
- 1/2" rubber tip (GZ-61277)
- Standard safety tip (GZ-61279)
- High flow safety (GZ-61280)
- 1-1/4" nylon screen (GZ-61286)
- Mini aluminium tip (GZ-61289)
- Brass adjustable (GZ-61292)
- 3" Long nylon tapered tube (GZ-61288)



Part No.	Code
GZ-61261	KIT/LAG/8/ST

GZ-61264 4-PIECE KIT

Package Includes:

- Pro series safety air blow gun
- 1/2" Rubber tip (GZ-61277)
- 1" Rubber tip (GZ-61283)
- 1-3/8" Rubber tip (GZ-61284)



Part No.	Code
GZ-61264	KIT/LAG/4/ST

GZ-61262 5-PIECE KIT

Package Includes:

- Pro series safety air blow gun
- 1/2" rubber tip (GZ-61277)
- Standard safety tip (GZ-61279)
- Mini aluminium tip (GZ-61289)
- Stainless-steel needle, 2-15/32" x 0.095" Ø (GZ-61291)

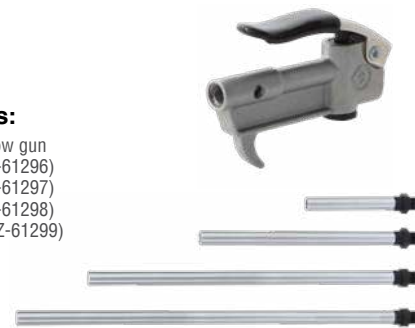


Part No.	Code
GZ-61262	KIT/LAG/5/ST

GZ-61265 5-PIECE KIT

Package Includes:

- Pro series safety air blow gun
- 3" Aluminium tube (GZ-61296)
- 6" Aluminium tube (GZ-61297)
- 9" Aluminium tube (GZ-61298)
- 12" Aluminium tube (GZ-61299)



Part No.	Code
GZ-61265	KIT/LAG/5B/ST

GZ-61266 23-PIECE KIT

Package Includes:





- 2x Pro series safety air blow guns
- 1/2" rubber tip (GZ-61277)
- Standard (GZ-61278)
- Standard safety (GZ-61279)
- High flow safety (GZ-61280)
- Safety booster (GZ-61281)
- Safety tamperproof (GZ-61282)
- 1" Rubber tip (GZ-61283)
- 1-3/8" Rubber tip (GZ-61284)
- Rubber silencer (GZ-61285)
- 1-1/4" Nylon screen (GZ-61286)
- 4" Protective shield nozzle (GZ-61287)
- 3" Long nylon tapered tube (GZ-61288)
- Mini aluminium tip (GZ-61289)
- Stainless-steel needle, 1-3/4" x 0.072" Ø (GZ-61290)
- Stainless-steel needle, 2-15/32" x 0.095" Ø (GZ-61291)
- Brass adjustable (GZ-61292)
- 23" long with rubber tip (GZ-61293)
- 14" to 24" Telescopic tip (GZ-61294)
- Steel wire brush (GZ-61295)
- 3" Aluminium tube (GZ-61296)
- 6" Aluminium tube (GZ-61297)

Part No.	Code
GZ-61266	KIT/LAG/21/ST



PRO SERIES SAFETY AIR BLOW GUN ACCESSORIES

Part No.	Code	Description	Image
GZ-61277	ZSA/NZL/A/LAG	1/2" (12.7mm) Rubber Tip	
GZ-61278	ZSA/NZL/B/LAG	Standard	
GZ-61279	ZSA/NZL/C/LAG	Standard Safety	
GZ-61280	ZSA/NZL/D/LAG	High Flow Safety	
GZ-61281	ZSA/NZL/E/LAG	Safety Booster	
GZ-61282	ZSA/NZL/F/LAG	Safety Tamperproof	
GZ-61283	ZSA/NZL/G/LAG	1" (25.4mm) Rubber Tip	
GZ-61284	ZSA/NZL/H/LAG	1-3/8" (35mm) Rubber Tip	
GZ-61285	ZSA/NZL/J/LAG	Rubber Silencer	
GZ-61286	ZSA/NZL/K/LAG	1-1/4" (32mm) Nylon Screen	
GZ-61287	ZSA/NZL/PS/LAG	4" (100mm) Protective Shield Nozzle	
GZ-61288	ZSA/NZL/L/LAG	3" (75mm) Long Nylon Tapered Tube	

Part No.	Code	Description	Image
GZ-61289	ZSA/NZL/M/LAG	Mini Aluminium Tip	
GZ-61290	ZSA/NZL/N1/LAG	Stainless-Steel Needle, 1-3/4" x 0.072" (44 x 1.8mm) Ø	
GZ-61291	ZSA/NZL/N2/LAG	Stainless-Steel Needle, 2-15/32" x 0.095" (63 x 2.4mm) Ø	
GZ-61292	ZSA/NZL/P/LAG	Brass Adjustable	
GZ-61293	ZSA/NZL/Q/LAG	23" (585mm) Long With Rubber Tip	
GZ-61294	ZSA/NZL/R/LAG	14" To 24" (355 To 610mm) Telescopic Tip	
GZ-61295	ZSA/NZL/S/LAG	Steel Wire Brush	
GZ-61296	ZSA/NZL/T1/LAG	3" (75mm) Aluminium Tube	
GZ-61297	ZSA/NZL/T2/LAG	6" (150mm) Aluminium Tube	
GZ-61298	ZSA/NZL/T3/LAG	9" (230mm) Aluminium Tube	
GZ-61299	ZSA/NZL/T4/LAG	12" (305mm) Aluminium Tube	



TYRE INFLATORS

DIAL GAUGE TYRE INFLATOR

- Easy to read gauge showing psi, kPa and kg/cm²
- Compact and ergonomic design
- Rubber protector around gauge
- High flex, hard wearing rubber hose
- 1/4" BSP air inlet
- 0 to 220psi Gauge



Part No.	Description
TM340-001	Dial Gauge Tyre Inflator

DIGITAL TYRE INFLATOR

- Multi-function digital display in psi, bar and kPa
- Automatic shutdown
- 400mm Hard wearing rubber hose
- Impact protection cover
- Aluminium construction
- 40cm hose



Part No.	Description
TM340-002	Digital Tyre Inflator



TYRE INFLATORS

DIGITAL TYRE INFLATOR

- Bar or psi models available
- Weight: 0.32kg
- Clip type nozzle
- Premium quality
- Made in Taiwan



Part No.	Description
M7-SB201B	Digital Tyre Inflator - Bar Readout
M7-SB201P	Digital Tyre Inflator - Psi Readout

HEAVY-DUTY TYRE INFLATOR

- Range: 0 - 160 psi
- Hose length: 300mm
- Hold on dual angle nozzle
- Heavy-duty body and rubber bumpers for protection
- Premium quality
- Made in Taiwan
- Weight: 1.2kg



Part No.	Description
M7-SB501	Heavy-Duty Tyre Inflator

TRUCK TYRE INFLATOR

- Gauge size: 100mm
- Max pressure: 220 psi
- Hose dimensions: 1/4" x 1000mm
- Tyre valve clip nozzle
- Heavy-duty body and rubber bumpers for protection
- Premium quality
- Made in Taiwan
- Weight: 1.14kg



Part No.	Description
M7-SB423	Truck Tyre Inflator



SPRAY GUNS

SUCTION FEED GENERAL PURPOSE SPRAY GUN

- 2.0mm stainless-steel nozzle
- Adjustable air and paint flow control
- Lightweight aluminium body
- 1000ml Aluminium cup
- 1/4" BSP air inlet



Part No.	Nozzle Size	Required Pressure	Air Consumption	Spray Pattern
TM340-901	2.0mm	50psi	150L/min	160 - 240mm

SUCTION FEED PROFESSIONAL SPRAY GUN

- Includes 1.4mm and 2.0mm stainless-steel nozzles
- Provides a professional quality paint finish
- Adjustable air and paint flow control
- Lightweight aluminium body
- 1000ml Aluminium cup
- 1/4" BSP air inlet



Part No.	Nozzle Size	Required Pressure	Air Consumption	Spray Pattern
TM340-902	1.4 & 2.0mm	50psi	120L/min	160 - 240mm

GRAVITY FEED GENERAL PURPOSE SPRAY GUN

- 2.0mm stainless-steel nozzle
- Adjustable air and paint flow control
- Lightweight aluminium body
- 600ml Plastic pot
- 160 - 220mm Pattern width
- 50psi Working pressure
- 1/4" BSP air inlet



Part No.	Nozzle Size	Required Pressure	Air Consumption	Spray Pattern
TM340-903	2.0mm	50psi	150L/min	160 - 220mm

GRAVITY FEED PROFESSIONAL SPRAY GUN

- Includes 1.4mm & 2.0mm stainless-steel nozzles
- Provides a professional quality paint finish
- Adjustable air and paint flow control
- Lightweight aluminium body
- 600ml Plastic pot
- 160 - 200mm pattern width
- 50psi Working pressure
- 1/4" BSP air inlet



Part No.	Nozzle Size	Required Pressure	Air Consumption	Spray Pattern
TM340-904	1.4 & 2.0mm	50psi	120L/min	160 - 200mm

SPRAY EQUIPMENT

For over 50 years Rich Star has been designing and manufacturing high-quality spray guns for a wide range of general & industrial applications. Star guns deliver an optimum result and superior atomisation, at an affordable price. A full range of nozzle sizes are available, as are backup spare parts.

Nozzle Size	Application
1.2mm	Stain, Detail Touch Up & 2-Pack Top Coat
1.3mm	2-Pack Top Coat, Enamel & Polyurethane
1.4 - 1.5mm	2-Pack Base Coat, Fine Finish Top Coat, Enamel, Acrylic Lacquer & Polyurethane
1.6mm	High Solid, Enamel & 2-Pack Base Coat
1.8mm	Acrylic Lacquer, Primer Filler, Enamel, Furniture Lacquer, Industrial Enamel & Primer
2.0mm	Acrylic Lacquer, Furniture Lacquer, Primer Filler, Industrial Enamel, Primer & Metallic
2.5mm	Primer, Spray Putty, Industrial Enamel, Heavy Primer & Sprayable Glue
3.0mm	Primer, Zinc, Polyester, Gel Coat, House Paint & Coating Requiring Quick Coverage (Via Pressure Pot System)

GRAVITY FEED SPRAY GUN

- Pot size: 600ml
- Includes: Gun, pot, stainless-steel nozzle and needle
- Provides constant paint flow at lower pressures, and extremely fine atomisation for suitable professional applications



Part No.	Nozzle Size	Required Pressure	Air Consumption	Spray Pattern
S106-141G	1.4mm	50 - 70psi	185L/min	250mm
S106-201G	2mm	50 - 70psi	250L/min	270mm
S106-251G	2.5mm	50 - 70psi	283L/min	270mm
S106-281G	2.8mm	50 - 70psi	310L/min	270mm

H.V.L.P. GRAVITY FEED SPRAY GUN

- Pot size: 600ml
- Includes: Gun, pot, stainless-steel nozzle and needle
- A high-performance low-pressure centre-post gravity feed spray gun with low air consumption, a minimum of 65% transfer efficiency & superior atomisation



Part No.	Nozzle Size	Required Pressure	Air Consumption	Spray Pattern
SV106-G15	1.5mm	41 - 44psi	255 - 310L/min	240mm
SV106-G19	1.9mm	41 - 44psi	255 - 310L/min	265mm

PROFESSIONAL "SMP" SERIES

- Premium quality
- Pot size: 600ml
- Air consumption: 300 - 355 L/min
- Includes: Gun, pot, stainless-steel nozzle and needle
- Achieves large fan, premium finishing results, fast application speed and 65% transfer efficiency at 29psi
- Ideal for car refinishing, high class furniture and industrial use



Part No.	Nozzle Size	Air Inlet Pressure	Pattern Width
SG-SMP106FG-013	1.3mm	29psi	280 - 330mm
SG-SMP106FG-014	1.4mm	29psi	280 - 330mm
SG-SMP106FG-015	1.5mm	29psi	280 - 330mm
SG-SMP106FG-018	1.8mm	29psi	280 - 330mm
SG-SMP106FG-020	2.0mm	29psi	280 - 330mm
SG-SMP106FG-025	2.5mm	29psi	280 - 330mm

PROFESSIONAL "EVO T" SERIES

- The highest quality spray gun from Star
- Pot size: 600ml
- Air consumption: 325 - 380 L/min
- Includes: Gun, pot, stainless-steel nozzle and needle
- EVO-T Patented air cap design providing ultra-fine finish & excellent transfer efficiency exceeding 72% at 15psi
- Improved ergonomics providing perfect body balance & handling for manoeuvrability
- Stronger forged body with colour anodization throughout fluid passage
- Ideal for waterborne painting procedures



Part No.	Nozzle Size	Air Inlet Pressure	Pattern Width	Pot Size
SG-EVO106FG-012	1.2mm	15 - 19psi	280 - 285mm	600ml
SG-EVO106FG-013	1.3mm	15 - 19psi	280 - 285mm	600ml
SG-EVO106FG-014	1.4mm	15 - 19psi	280 - 285mm	600ml
SG-EVO106FG-018	1.8mm	15 - 19psi	280 - 285mm	600ml
SG-EVO106FG-020	2.0mm	15 - 19psi	280 - 285mm	600ml
SG-EVO106FG-025	2.5mm	15 - 19psi	280 - 285mm	600ml

S770-S SERIES SUCTION FEED

- Pot size: 1000ml
- Includes: Gun, pot, stainless-steel nozzle and needle
- A popular conventional high pressure spray gun that provides extremely fine atomisation for the D.I.Y. person to the professional
- For applications such as automotive spraying



Part No.	Nozzle Size	Required Pressure	Air Consumption	Spray Pattern
S770-11S	1.5mm	50 - 70psi	195L/min	235mm
S770-21S	1.7mm	50 - 70psi	220L/min	245mm
S770-31S	2.0mm	50 - 70psi	250L/min	260mm
S770-41S	2.5mm	50 - 70psi	330L/min	275mm
S770-51S	3.0mm	50 - 70psi	345L/min	275mm
Part No.	Description			
S770/POT	Star 1 Litre Pot, To Suit S770 Spray Gun			

PROFESSIONAL “SMP” SERIES

- Premium quality
- Pot size: 1000ml
- Air consumption: 310 - 365 L/min
- Includes: Gun, pot, stainless-steel nozzle and needle
- Achieves large fan, premium finishing results, fast application speed and 65% transfer efficiency at 29psi
- Ideal for car refinishing, high class furniture and industrial use



Part No.	Nozzle Size	Air Inlet Pressure	Pattern Width
SG-SMP106FS-014	1.4mm	29psi	270 - 320mm
SG-SMP106FS-016	1.6mm	29psi	270 - 320mm
SG-SMP106FS-018	1.8mm	29psi	270 - 320mm
SG-SMP106FS-020	2.0mm	29psi	270 - 320mm
SG-SMP106FS-025	2.5mm	29psi	270 - 320mm

PROFESSIONAL “EVO T” SERIES

- Pot size: 1000ml
- Air consumption: 340 - 395 L/min
- Includes: Gun, pot, stainless-steel nozzle and needle
- EVO-T Patented air cap design providing ultra-fine finish & excellent transfer efficiency exceeding 72% at 15psi
- Improved ergonomics providing perfect body balance & handling for manoeuvrability
- Stronger forged body with colour anodization throughout fluid passage
- Ideal for waterborne painting procedures



Part No.	Nozzle Size	Air Inlet Pressure	Pattern Width
SG-EVO106FS-012	1.2mm	15 - 19psi	230 - 270mm
SG-EVO106FS-014	1.4mm	15 - 19psi	230 - 270mm
SG-EVO106FS-018	1.8mm	15 - 19psi	230 - 270mm
SG-EVO106FS-020	2.0mm	15 - 19psi	230 - 270mm
SG-EVO106FS-025	2.5mm	15 - 19psi	230 - 270mm

GENERAL PURPOSE GRAVITY FEED TOUCH UP GUN

- Includes: Gun, pot, stainless-steel nozzle and needle
- Ideal for custom designing, auto touch-up work, detail spray work and stencil spraying



Part No.	Nozzle Size	Required Pressure	Spray Pattern	Pot Capacity
S106T-05G	0.5mm	30 - 50psi	95mm	130ml
S106T-08G	0.8mm	30 - 50psi	95mm	130ml
S106T-10G	1.0mm	30 - 50psi	95mm	130ml

GENERAL PURPOSE SUCTION FEED TOUCH UP GUN

- Includes: Gun, pot, stainless-steel nozzle and needle
- Ideal for custom designing, auto touch-up work, detail spray work and stencil spraying



Part No.	Nozzle Size	Required Pressure	Spray Pattern	Pot Capacity
SJ108	1.4mm	30 - 50psi	120mm	250ml

PRESSURE POT OUTFITS

Complete with gun, hoses, pot, regulator, stainless-steel nozzle and needle. General purpose high volume spray outfits are ideal for spraying on large surfaces and mass production. For use with all conventional enamels, lacquers and sealers.



Part No.	Nozzle Size	Required Pressure	Spray Pattern	Pot Capacity	Hose Length
S770-2QP	1.2mm	10 - 60psi	360mm	2 Litre	2m
S770-10QP	1.2mm	10 - 60psi	360mm	10 Litre	3.5m
Part No.	Description				
S770-2QPGUN	Gun Only To Suit 2L & 10L Spray Outfits				
S770-2QPHOSE	2 Metre Hose To Suit S770-2QP				
S770-10QPHOSE	3.5 Metre Hose To Suit S770-10QP				



AIR TOOLS



1/2" DRIVE AIR IMPACT WRENCH

- Heavy-duty twin hammer mechanism
- 3 Torque settings in forward
- Ergonomic design with soft rubber grip

Part No.	Max Torque	Free Speed	Air Requirement	Length	Air Inlet	Weight
	Nm (ft-lb)	rpm	L/min	mm		kg
TM340-135	680 (500)	7000	184	205	1/4"	2.59



1/2" DRIVE COMPOSITE AIR IMPACT WRENCH

- Aluminium composite material construction
- Heavy-duty twin hammer mechanism
- 3 Torque settings
- Soft rubber grip & ergonomic design

Part No.	Max Torque	Free Speed	Air Requirement	Length	Air Inlet	Weight
	Nm (ft-lb)	rpm	L/min	mm		kg
TM340-136	850 (625)	6800	190	210	1/4"	2.5



3/4" DRIVE COMPOSITE AIR IMPACT WRENCH

- Aluminium composite material construction
- Heavy-duty twin hammer mechanism
- 3 Torque settings
- Soft rubber grip & ergonomic design

Part No.	Max Torque	Free Speed	Air Requirement	Length	Air Inlet	Weight
	Nm (ft-lb)	rpm	L/min	mm		kg
TM340-145	1200 (885)	4200	190	255	3/8"	4.3

3" AIR CUT OFF TOOL

- Compact ergonomic design with soft rubber grip
- 360° Rotatable metal guard
- Rear 4-speed regulator
- 360° Adjustable exhaust



Part No.	Cutting Wheel	Free Speed	Air Requirement	Length	Air Inlet	Weight
	mm (inch)	rpm	L/min	mm		kg
TM340-502	75 (3")	20,000	141	208	1/4"	0.84

3/8" DRIVE AIR RATCHET WRENCH

- 360° adjustable exhaust deflector
- Ergonomic design with soft rubber grip
- Rear 4-speed regulator



Part No.	Max Torque	Free Speed	Air Requirement	Length	Air Inlet	Weight
	Nm (ft-lb)	rpm	L/min	mm		kg
TM340-225	85 (60)	180	113	275	1/4"	1.21

1/2" DRIVE AIR RATCHET WRENCH

- 360° adjustable exhaust deflector
- Ergonomic design with soft rubber grip
- Rear 4-speed regulator



Part No.	Max Torque	Free Speed	Air Requirement	Length	Air Inlet	Weight
	Nm (ft-lb)	rpm	L/min	mm		kg
TM340-235	85 (60)	180	113	275	1/4"	1.22

AIR HAMMER KIT



- Alloyed steel barrel and heat-treated piston
- Built-in power regulator and trigger control
- Ergonomic design with soft rubber grip
- Includes 5pc chisel set
- Chisel shank: 10.2mm

Part no.	Blows Per Minute	Stroke	Bore diameter	Overall length	Air Requirement	Air inlet	Weight
	bpm	mm	mm	mm	L/min		kg
TM340-404	3000	66	19.05	260	155	1/4"	2.2

AIR NEEDLE SCALER

- Heavy-duty metal construction for durability
- Compact, lightweight & ergonomic design
- Needle size: 125mm x 3.0mm
- Needle quantity: 12



Part no.	Blows Per Minute	Stroke	Air Inlet	Air Requirement	Length	Weight
	bpm	mm		L/min	mm	kg
TM340-414	2800	24	1/4"	57	315	1.1



AIR DIE GRINDER

- Ultra compact design with soft rubber grip
- Rear 4-speed regulator
- 360° Adjustable exhaust



Part No.	Collet Size	Free Speed	Air Requirement	Length	Air Inlet	Weight
		rpm	L/min	mm		kg
TM340-312	1/4"	25,000	113	173	1/4"	0.39kg

AIR DIE GRINDER KIT WITH CARBIDE BURRS

- Kit includes 3 carbide burrs:
3/8" Tree Shape - Radius End (SF3)
3/8" Cylindrical - End Cut (SB3)
3/8" Cylindrical - Radius End (SC3)
- Die Grinder as per TM340-312



Part No.	Collet Size	Free Speed	Air Requirement	Length	Air Inlet	Weight
		rpm	L/min	mm		kg
TM340-312KIT3	1/4"	25,000	113	173	1/4"	0.39

AIR ANGLE DIE GRINDER

- Ultra compact design with soft rubber grip
- Right angle head for working in confined areas
- Rear 4-speed regulator
- 360° Adjustable exhaust



Part No.	Collet Size	Free Speed	Air Requirement	Length	Air Inlet	Weight
		rpm	L/min	mm		kg
TM340-322	1/4"	20,000	113	180	1/4"	0.5

HYDRAULIC RIVETER

- 3086lb (1400kg) of traction power
- Sets rivets up to 4.8mm in all materials
- 4x Interchangeable nose pieces:
2.4, 3.2, 4.0 & 4.8mm
- Easy one hand operation



Part No.	Stroke Length	Traction Power	Steel Rivet	Stainless-Steel Rivet	Working Pressure	Weight
	mm	ft-lb	mm	mm	psi	kg
TM340-802	16	3086	Up To 4.8	Up To 4.8	90	1.42

150MM AIR DUAL ACTION SANDER

- Ergonomic design with soft rubber grip
- Toolless pad release mechanism
- Dual action motion creates swirl-free finishes
- Exhaust directs air away from workpiece



Part no.	Sanding Pad	Free Speed	Air Requirement	Air Inlet	Weight
	mm (inches)	rpm	L/min	mm	kg
TM340-602	150 (6")	10,000	141	1/4"	1.83

150MM AIR PALM SANDER

- Ergonomic design with soft rubber grip
- 2 in 1 central and non-vacuum design
- Perfectly balanced sanding pad
- Rear exhaust directs air away from workpiece



Part no.	Sanding Pad	Free Speed	Air Requirement	Air Inlet	Weight
	mm (inches)	rpm	L/min	mm	kg
TM340-614	150 (6")	10,000	127	1/4"	1.11

3/8" AIR DRILL

- Ergonomic design with soft rubber grip
- Quick change keyless chuck
- Heavy-duty full caged gear system for increased tool life
- Forward / reverse control
- Adjustable auxiliary handle with rubber grip



Part No.	Chuck	Free Speed	Air Requirement	Length	Air Inlet	Weight
		rpm	L/min	mm		kg
TM340-724	3/8"	2200	155	185	1/4"	1.48

1/2" AIR DRILL

- Ergonomic design with soft rubber grip
- Quick change keyless chuck
- Heavy-duty full caged gear system for increased tool life
- Forward / reverse control
- Adjustable auxiliary handle with rubber grip



Part No.	Chuck	Free Speed	Air Requirement	Length	Air Inlet	Weight
		rpm	L/min	mm		kg
TM340-734	1/2"	700	184	208	1/4"	1.66



SANDER ACCESSORIES

TM340-6021 VELCRO PAD

- 150mm Diameter
- Spindle: 5/16" x 24
- 6 Hole pattern
- To suit 150mm random orbital sanders



TM340-6022 VINYL PAD

- 150mm Diameter
- Spindle: 5/16" x 24
- To suit 150mm random orbital sanders



Part No.	Diameter	Type	Spindle	To Suit
TM340-6021	150mm	Rubber Backing Velcro Pad	5/16" x 24	TM340-602 & TM340-614
TM340-6022	150mm	Rubber Backing Vinyl Pad	5/16" x 24	TM340-602 & TM340-614