

GE 85 SKID - PSX GE 115 SKID - PSX

0 6 0 8

841169003 - GB

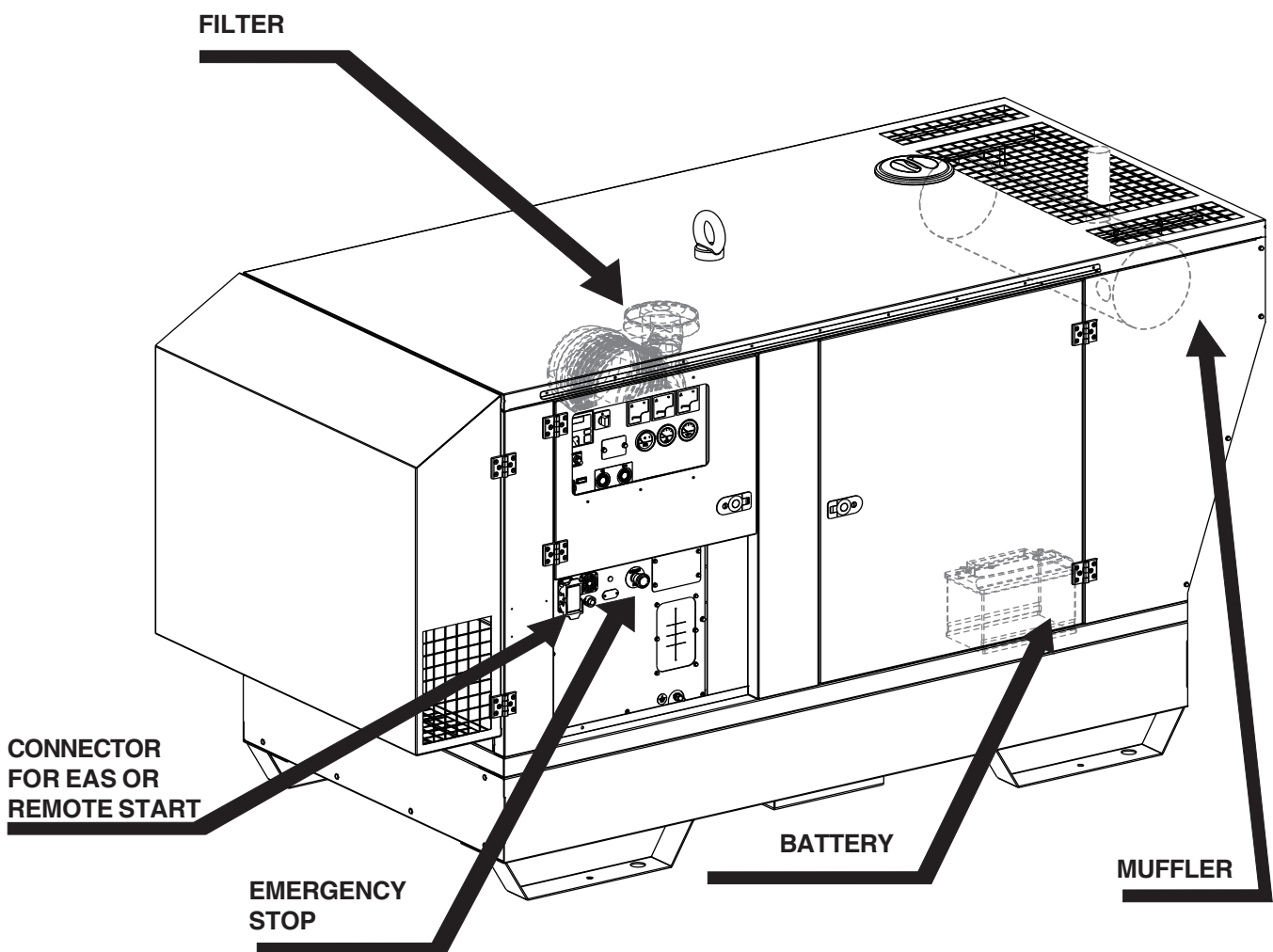
USE AND MAINTENANCE MANUAL SPARE PARTS CATALOGS

Main Characteristics of GE 85:

- Three-phase electric power (max) 88 kW / 400 V / 50 Hz.
- Perkins Diesel engine / 1104C - 44TAG1
- Synchronous alternator
- Tank of 230l with autonomy of 16h
- Dimensions / weight, 2740(2000 skid)x1200x1640, 1655 Kg (PSX) - 1425 Kg (SKID)
- Noise level at 7m 70dB(A)
- Prepared for automatic start unit.
- Prepared for remote start/stop.

Main Characteristics of GE 115:

- Three-phase electric power (max) 110 kW / 400 V / 50 Hz.
- Perkins Diesel engine / 1104C - 44TAG2
- Synchronous alternator
- Tank of 230l with autonomy of 14h
- Dimensions / weight, 2740(2000 skid)x1200x1640, 1680 Kg (PSX) - 1450 Kg (SKID)
- Noise level at 7m 71dB(A)
- Prepared for automatic start unit.
- Prepared for remote start/stop.



The unit is composed by : a base, a tank, an engine/alternator unit fixed on the base by 4 elastic dampers, a roll-bar, with hook for an easy and sure lifting, a base complete with doors for a quick access to the engine, to the air filter and to the battery. The set is also equipped with a electrical board where there are mounted protections and measuring instruments, which are protected by a same sized cover.



UNI EN ISO 9001 : 2000

ISO 9001:2000 - Cert. 0192

MOSA has certified its quality system according to UNI EN ISO 9001:2000 to ensure a constant, high quality of its products. This certification covers the design, production and servicing of engine driven welders and generating sets.

The certifying institute, ICIM, which is a member of the International Certification Network IQNet, awarded the official approval to MOSA after an examination of its operations at the head office and plant in Cusago (MI), Italy.

This certification is not a point of arrival but a pledge on the part of the entire company to maintain a level of quality of both its products and services which will continue to satisfy the needs of its clients, as well as to improve the transparency and the communications regarding all the company's activities in accordance with the official procedures and in harmony with the MOSA Manual of Quality.

The advantages for MOSA clients are:

- Constant quality of products and services at the high level which the client expects;
- Continuous efforts to improve the products and their performance at competitive conditions;
- Competent support in the solution of problems;
- Information and training in the correct application and use of the products to assure the security of the operator and protect the environment;
- Regular inspections by ICIM to confirm that the requirements of the company's quality system and ISO 9001 are being respected.

All these advantages are guaranteed by the CERTIFICATE OF QUALITY SYSTEM No.0192 issued by ICIM S.p.A. - Milano (Italy) - www.icim.it

| | |
|------------|------------------------------------|
| M 1.01 | COPYRIGHT |
| M 1.1 | NOTES |
| M 1.4 | NOTES |
| M 2 ... | SYMBOLS AND SAFETY PRECAUTIONS |
| M 2.5 -... | ADVICEM 2.6INSTALLATION AND ADVICE |
| M 2.6 | INSTALLATIONS AND ADVICE |
| M 2.7 | INSTALLATION |
| M 3 | UNPACKING |
| M 4.2 | TRANSPORT AND DISPLACEMENTS |
| M 20 | SET-UP FOR OPERATION |
| M 21 | START AND STOP |
| M 30 | CONTROLS LEGEND |
| M 31 | CONTROLS |
| M 37 -... | USING THE GENERATOR |
| M 38.6 | TCM 35 REMOTE CONTROL |
| M 39.10 | INSULATION MONITORING PROTECTION |
| M 39.11 | EARTH LEAKAGE RELAY |
| M 39.12... | EP6 ENGINE PROTECTION |
| M 40.2 | TROUBLE-SHOOTING |
| M 43 -... | MAINTENANCE OF THE MACHINE |
| M 45 | STORAGE |
| M 46 | CUST OFF |
| M 51 | TECHNICAL DATA |
| M 60 | ELECTRICAL SYSTEM LEGEND |
| M 61-... | ELECTRICAL SYSTEM |



ATTENTION

This use and maintenance manual is an important part of the machines in question.

The assistance and maintenance personnel must keep said manual at disposal, as well as that for the engine and alternator (if the machine is synchronous) and all other documentation about the machine.

We advise you to pay attention to the pages concerning the security (see page M1.1).



© All rights are reserved to said Company.

It is a property logo of MOSA division of B.C.S. S.p.A. All other possible logos contained in the documentation are registered by the respective owners.

▮ The reproduction and total or partial use, in any form and/or with any means, of the documentation is allowed to nobody without a written permission by MOSA division of B.C.S. S.p.A.

To this aim is reminded the protection of the author's right and the rights connected to the creation and design for communication, as provided by the laws in force in the matter.

In no case MOSA division of B.C.S. S.p.A. will be held responsible for any damage, direct or indirect, in relation with the use of the given information.

MOSA division of B.C.S. S.p.A. does not take any responsibility about the shown information on firms or individuals, but keeps the right to refuse services or information publication which it judges discutible, unright or illegal.

INFORMATION

Dear Customer,
We wish to thank you for having bought from MOSA a high quality set.

Our sections for Technical Service and Spare Parts will work at best to help you if it were necessary.

To this purpose we advise you, for all control and overhaul operations, to turn to the nearest authorized Service Centre, where you will obtain a prompt and specialized intervention.

- ☞ In case you do not profit on these Services and some parts are replaced, please ask and be sure that are used exclusively original MOSA parts; this to guarantee that the performances and the initial safety prescribed by the norms in force are re-established.
- ☞ **The use of non original spare parts will cancel immediately any guarantee and Technical Service obligation from MOSA.**

NOTES ABOUT THE MANUAL

Before actioning the machine please read this manual attentively. Follow the instructions contained in it, in this way you will avoid inconveniences due to negligence, mistakes or incorrect maintenance. The manual is for qualified personnel, who knows the rules: about safety and health, installation and use of sets movable as well as fixed.

You must remember that, in case you have difficulties for use or installation or others, our Technical Service is always at your disposal for explanations or interventions.

The manual for Use Maintenance and Spare Parts is an integrant part of the product. It must be kept with care during all the life of the product.

In case the machine and/or the set should be yielded to another user, this manual must also given to him.

Do not damage it, do not take parts away, do not tear pages and keep it in places protected from dampness and heat.

You must take into account that some figures contained in it want only to identify the described parts and therefore might not correspond to the machine in your possession.

INFORMATION OF GENERAL TYPE

In the envelope given together with the machine and/or set you will find: the manual for Use Maintenance and Spare Parts, the manual for use of the engine and the tools (if included in the equipment), the guarantee (in the countries where it is prescribed by law).

Our products have been designed for the use of generation for welding, electric and hydraulic system; ANY OTHER DIFFERENT USE NOT INCLUDED IN THE ONE INDICATED, relieves MOSA from the risks which could happen or, anyway, from that which was agreed when selling the machine; MOSA excludes any responsibility for damages to the machine, to the things or to persons in this case.

Our products are made in conformity with the safety norms in force, for which it is advisable to use all these devices or information so that the use does not bring damage to persons or things.

While working it is advisable to keep to the personal safety norms in force in the countries to which the product is destined (clothing, work tools, etc.).

Do not modify for any motive parts of the machine (fastenings, holes, electric or mechanical devices, others..) if not duly authorized in writing by MOSA: the responsibility coming from any potential intervention will fall on the executioner as in fact he becomes maker of the machine.

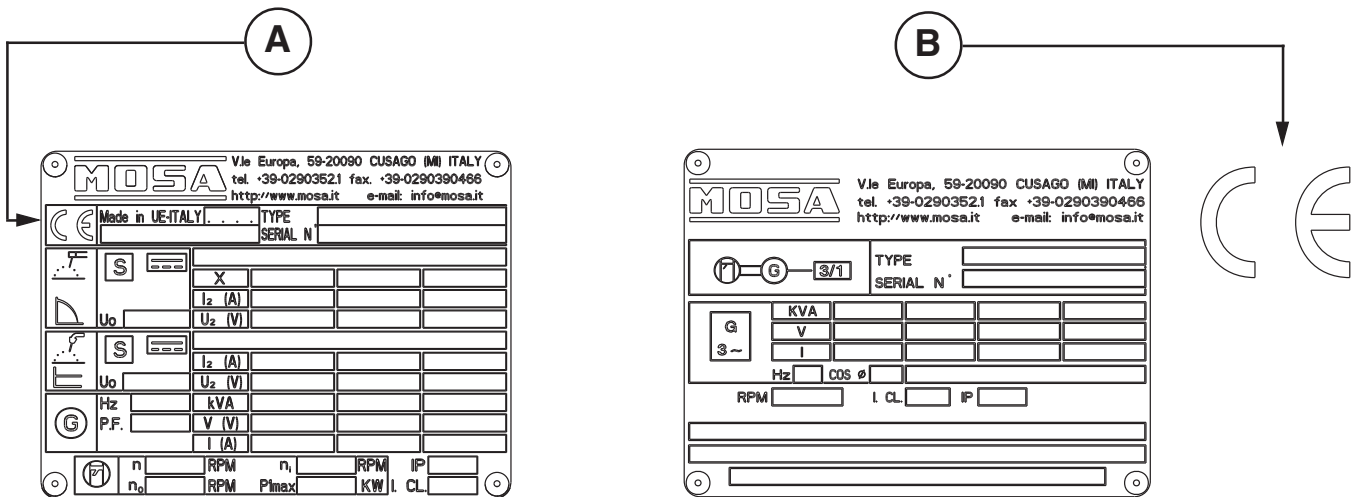
- ☞ **Notice:** *this manual does not engage MOSA, who keeps the faculty, apart the essential characteristics of the model here described and illustrated, to bring betterments and modifications to parts and accessories, without putting this manual uptodate immediately.*



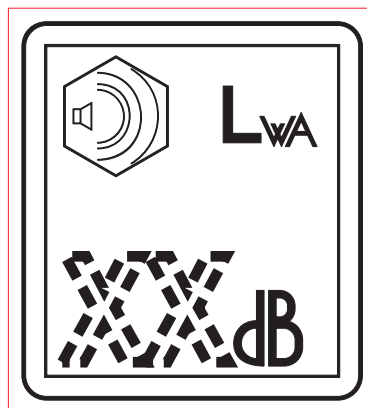
Any of our product is labelled with CE marking attesting its conformity to appliable directives and also the fulfillment of safety requirements of the product itself; the list of these directives is part of the declaration of conformity included in any machine standard equipment. Here below the adopted symbol:



CE marking is clearly readable and unerasable and it can be either part of the data-plate (A) or placed as a sticker near the data-plate (B)



Furthermore, on each model it is shown the noise level value; the symbol used is the following:



The indication is shown in a clear, readable and indeleble way on a sticker.

The generating set GE 85/115 is a unit which transforms the mechanical energy, generated by endothermic engine, into electric energy, through an alternator.

Is meant for industrial and professional use, powered by an endothermic engine; it is composed of various main parts such as: engine, alternator, electric and electronic controls, the fairing or a protective structure.

The assembling is made on a steel structure, on which are provided elastic support which must damp the vibrations and also eliminate sounds which would produce noise.

Technical data
GE 85 SKID - PSX
GE 115 SKID - PSX
GENERATOR

| | | |
|--------------------------------------|------------------------|-------------------------|
| Power three-phase (*stand by) | 88 kVA / 400 V / 127 A | 110kVA / 400 V / 159 A |
| Power three-phase (**P.R.P.) | 80 kVA / 400 V / 115 A | 100 kVA / 400 V / 144 A |
| Active power (*stand by) | 70.4 kW / 400 V | 88 kW / 400 V |
| Active power (**P.R.P.) | 64 kW / 400 V | 80 kW / 400 V |
| Frequency | 50 Hz | 50 Hz |
| Cos φ | 0.8 | 0.8 |

ALTERNATOR

| | |
|-------------------------|--|
| Type | synchronous, three-phase, self-excited, self-regulated |
| Insulation class | H |

ENGINE

| | | |
|---------------------------------------|--------------------------------------|-----------------------------------|
| Make / Model | PERKINS / 1104C - 44TAG1 | PERKINS / 1104C - 44TAG2 |
| Type | 4-Stroke | 4-Stroke |
| Displacement | 4400 cm ³ | 4400 cm ³ |
| Cylinders | 4 | 4 |
| Power (*stand by) / (**P.R.P.) | 78.4 kW (105 CV) / 71.3 kW (95.5 CV) | 98 kW (131.4 CV) / 89 kW (120 CV) |
| Speed | 1500 giri/min | 1500 rpm |
| Fuel consumption | 208 g/kWh | 208 g/kWh |
| Cooling system | Liquid | Liquid |
| Cooling system capacity | 13 l | 13 l |
| Engine oil capacity | 8 l | 8 l |
| Starter | Electric | Electric |
| Fuel | Diesel | Diesel |

GENERAL SPECIFICATIONS

| | | |
|---|--------------------------------|--------------------------------|
| Battery | 12V - 100Ah | 12V - 100Ah |
| Tank capacity | 230 l | 230 l |
| Running time(75%) | 16 h | 14 h |
| Protection | IP 44 | IP 44 |
| Dimensions / max. on base Lxwxh (mm)* | 2740(2000 skid)x1200x1640 | 2740(2000 skid)x1200x1640 |
| Weight on base | 1655 Kg (PSX) - 1425 Kg (SKID) | 1680 Kg (PSX) - 1450 Kg (SKID) |
| Measured acoustic power (PSX Version) | 95 LWA (70 db(A) - 7 m) | 96 LWA (71 db(A) - 7 m) |
| Garanteed acoustic power (PSX Version) | 96 LWA (71 db(A) - 7 m) | 97 LWA (72 db(A) - 7 m) |

* Dimensions and weight are inclusive of all parts


OUTPUT

Declared power according to ISO 8528-1 (temperature 25°C, 30% relative humidity, altitude 100 m above sea level).

(*Stand-by) = maximum available power for use at variable loads for a yearly number of hours limited at 500 h. No overload is admitted.

(**Prime power P.R.P.) = maximum available power for use at variable loads for a yearly illimited number of hours. The average power to be taken during a period of 24 h must not be over 80% of the P.R.P.

It's admitted overload of 10% each hour every 12 h.

In an **approximative** way one reduces: of 1% every 100 m altitude and of 2.5% for every 5°C above 25°C.

ACOUSTIC POWER LEVEL

ATTENTION: The concrete risk due to the machine depends on the conditions in which it is used. Therefore, it is up to the end-user and under his direct responsibility to make a correct evaluation of the same risk and to adopt specific precautions (for instance, adopting a I.P.D. -Individual Protection Device)

Acoustic Noise Level (LWA) - Measure Unit dB(A): it stands for acoustic noise released in a certain delay of time. This is not submitted to the distance of measurement.

Acoustic Pressure (Lp) - Measure Unit dB(A): it measures the pressure originated by sound waves emission. Its value changes in proportion to the distance of measurement.

The here below table shows examples of acoustic pressure (Lp) at different distances from a machine with Acoustic Noise Level (LWA) of 95 dB(A)

Lp a 1 meter = 95 dB(A) - 8 dB(A) = 87 dB(A)

Lp a 7 meters = 95 dB(A) - 25 dB(A) = 70 dB(A)

Lp a 4 meters = 95 dB(A) - 20 dB(A) = 75 dB(A)

Lp a 10 meters = 95 dB(A) - 28 dB(A) = 67 dB(A)

PLEASE NOTE: the symbol when with acoustic noise values, indicates that the device respects noise emission limits according to 2000/14/CE directive.

SYMBOLS IN THIS MANUAL

- The symbols used in this manual are designed to call your attention to important aspects of the operation of the machine as well as potential hazards and dangers for persons and things.

IMPORTANT ADVICE

- Advice to the User about the safety:

- ☞ N.B.: The information contained in the manual can be changed without notice. Potential damages caused in relation to the use of these instructions will not be considered because these are only indicative. Remember that the non observance of the indications reported by us might cause damage to persons or things. It is understood, that local dispositions and/or laws must be respected.

WARNING



Situations of danger - no harm to persons or things

Do not use without protective devices provided

Removing or disabling protective devices on the machine is prohibited.

Do not use the machine if it is not in good technical condition

The machine must be in good working order before being used. Defects, especially those which regard the safety of the machine, must be repaired before using the machine.

SAFETY PRECAUTIONS

**DANGEROUS**

This heading warns of an immediate danger for persons as well for things. Not following the advice can result in serious injury or death.

**WARNING**

This heading warns of situations which could result in injury for persons or damage to things.

**CAUTION**

To this advice can appear a danger for persons as well as for things, for which can appear situations bringing material damage to things.

**IMPORTANT****NOTE****ATTENTION**

These headings refer to information which will assist you in the correct use of the machine and/or accessories.

SYMBOLS (for all MOSA models)



STOP - Read absolutely and be duly attentive



Read and pay due attention



GENERAL ADVICE - If the advice is not respected damage can happen to persons or things.



HIGH VOLTAGE - Attention High Voltage. There can be parts in voltage, dangerous to touch. The non observance of the advice implies life danger.



FIRE - Danger of flame or fire. If the advice is not respected fires can happen.



HEAT - Hot surfaces. If the advice is not respected burns or damage to things can be caused.



EXPLOSION - Explosive material or danger of explosion. in general. If the advice is not respected there can be explosions.



WATER - Danger of shortcircuit. If the advice is not respected fires or damage to persons can be caused.



SMOKING - The cigarette can cause fire or explosion. If the advice is not respected fires or explosions can be caused.



ACIDS - Danger of corrosion. If the advice is not respected the acids can cause corrosions with damage to persons or things.



WRENCH - Use of the tools. If the advice is not respected damage can be caused to things and even to persons.



PRESSION - Danger of burns caused by the expulsion of hot liquids under pressure.



ACCES FORBIDDEN to non authorizad people.

PROHIBITIONS No harm for persons

Use only with safety clothing -



It is compulsory to use the personal protection means given in equipment.

Use only with safety clothing -



It is compulsory to use the personal protection means given in equipment.

Use only with safety protections -



It is a must to use protection means suitable for the different welding works.

Use with only safety material -



It is prohibited to use water to quench fires on the electric machines.

Use only with non inserted voltage -



It is prohibited to make interventions before having disinserted the voltage.

No smoking -



It is prohibited to smoke while filling the tank with fuel.

No welding -



It is forbidden to weld in rooms containing explosive gases.

ADVICE No harm for persons and things

Use only with safety tools, adapted to the specific use -

It is advisable to use tools adapted to the various maintenance works.

Use only with safety protections, specifically suitable



It is advisable to use protections suitable for the different welding works.

Use only with safety protections -



It is advisable to use protections suitable for the different daily checking works.

Use only with safety protections -



It is advisable to use all protections while shifting the machine.

Use only with safety protections -



It is advisable to use protections suitable for the different daily checking works.and/or of maintenance.



The installation and the general advice concerning the operations, are finalized to the correct use of the machine, in the place where it is used as generator group and/or welder.

| | | | |
|---------------|---|-----------------------|--|
| ENGINE | Stop engine when fueling | CHECKING BOARD | Do not touch electric devices if you are barefoot or with wet clothes. |
| | Do not smoke, avoid flames, sparks or electric tools when fueling. | | Always keep off leaning surfaces during work operations |
| | Unscrew the cap slowly to let out the fuel vapours. | | Static electricity can damage the parts on the circuit. |
| | Slowly unscrew the cooling liquid tap if the liquid must be topped up. | | An electric shock can kill |
| | The vapor and the heated cooling liquid under pressure can burn face, eyes, skin. | | |
| | Do not fill tank completely. | | |
| | Wipe up spilled fuel before starting engine. | | |
| | Shut off fuel of tank when moving machine (where it is assembled). | | |
| | Avoid spilling fuel on hot engine. | | |
| | Sparks may cause the explosion of battery vapours | | |



FIRST AID. In case the operator should be sprayed by accident, from corrosive liquids a/o hot toxic gas or whatever event which may cause serious injuries or death, predispose the first aid in accordance with the ruling labour accident standards or of local instructions.

| | |
|-------------------------------|--|
| Skin contact | Wash with water and soap |
| Eyes contact | Irrigate with plenty of water, if the irritation persists contact a specialist |
| Ingestion | Do not induce vomit as to avoid the intake of vomit into the lungs, send for a doctor |
| Suction of liquids from lungs | If you suppose that vomit has entered the lungs (as in case of spontaneous vomit) take the subject to the hospital with the utmost urgency |
| Inhalation | In case of exposure to high concentration of vapours take immediately to a non polluted zone the person involved |



FIRE PREVENTION. In case the working zone, for whatsoever cause goes on fire with flames liable to cause severe wounds or death, follow the first aid as described by the ruling norms or local ones.

| EXTINCTION MEANS | |
|-----------------------|--|
| Appropriated | Carbonate anhydride (or carbon dioxide) powder, foam, nebulized water |
| Not to be used | Avoid the use of water jets |
| Other indications | Cover eventual shedding not on fire with foam or sand, use water jets to cool off the surfaces close to the fire |
| Particular protection | Wear an autorespiratory mask when heavy smoke is present |
| Useful warnings | Avoid, by appropriate means to have oil sprays over metallic hot surfaces or over electric contacts (switches, plugs, etc.). In case of oil sprinkling from pressure circuits, keep in mind that the inflammability point is very low. |

| WARNING | | | | | CAUTION | | DANGEROUS |
|----------------|--|--|--|--|----------------|--|------------------|
| | | | | | | | |
| | | | | | | | |

| | |
|--------------------|---|
| WARNING | <p>THE MACHINE MUST NOT BE USED IN AREAS WITH EXPLOSIVE ATMOSPHERE</p> |
|--------------------|---|



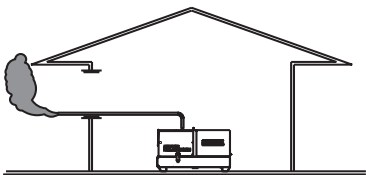
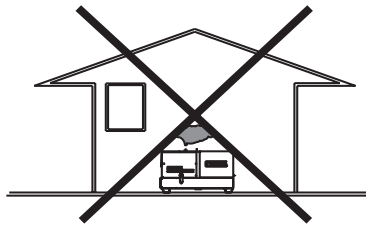
INSTALLATION AND ADVICE BEFORE USE

GASOLINE ENGINES

- Use in open space, air swept or vent exhaust gases, which contain the deadly carbone oxyde, far from the work area.

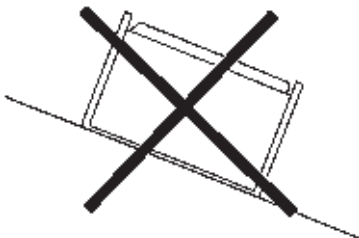
DIESEL ENGINES

- Use in open space, air swept or vent exhaust gases far from the work area.

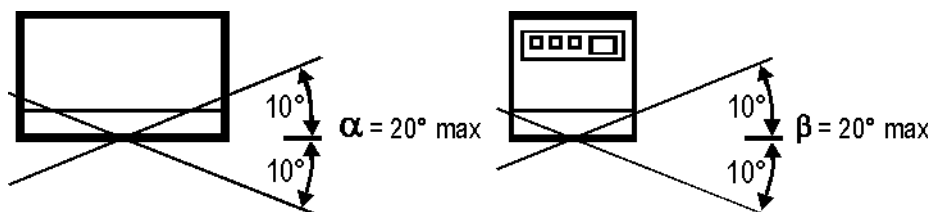


POSITION

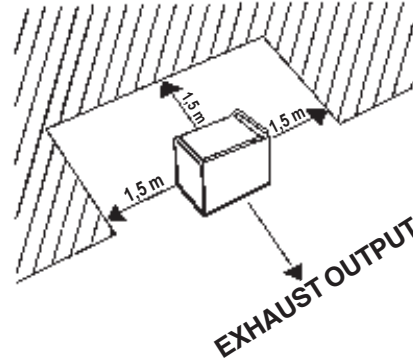
Place the machine on a level surface at a distance of at least 1,5 m from buildings or other plants.



Maximum leaning of the machine (in case of dislevel)



Check that the air gets changed completely and the hot air sent out does not come back inside the set so as to cause a dangerous increase of the temperature.



☞ Make sure that the machine does not move during the work: **block** it possibly with tools and/or devices made to this purpose.

MOVES OF THE MACHINE

☞ At any move check that the engine is **off**, that there are no connections with cables which impede the moves.

PLACE OF THE MACHINE

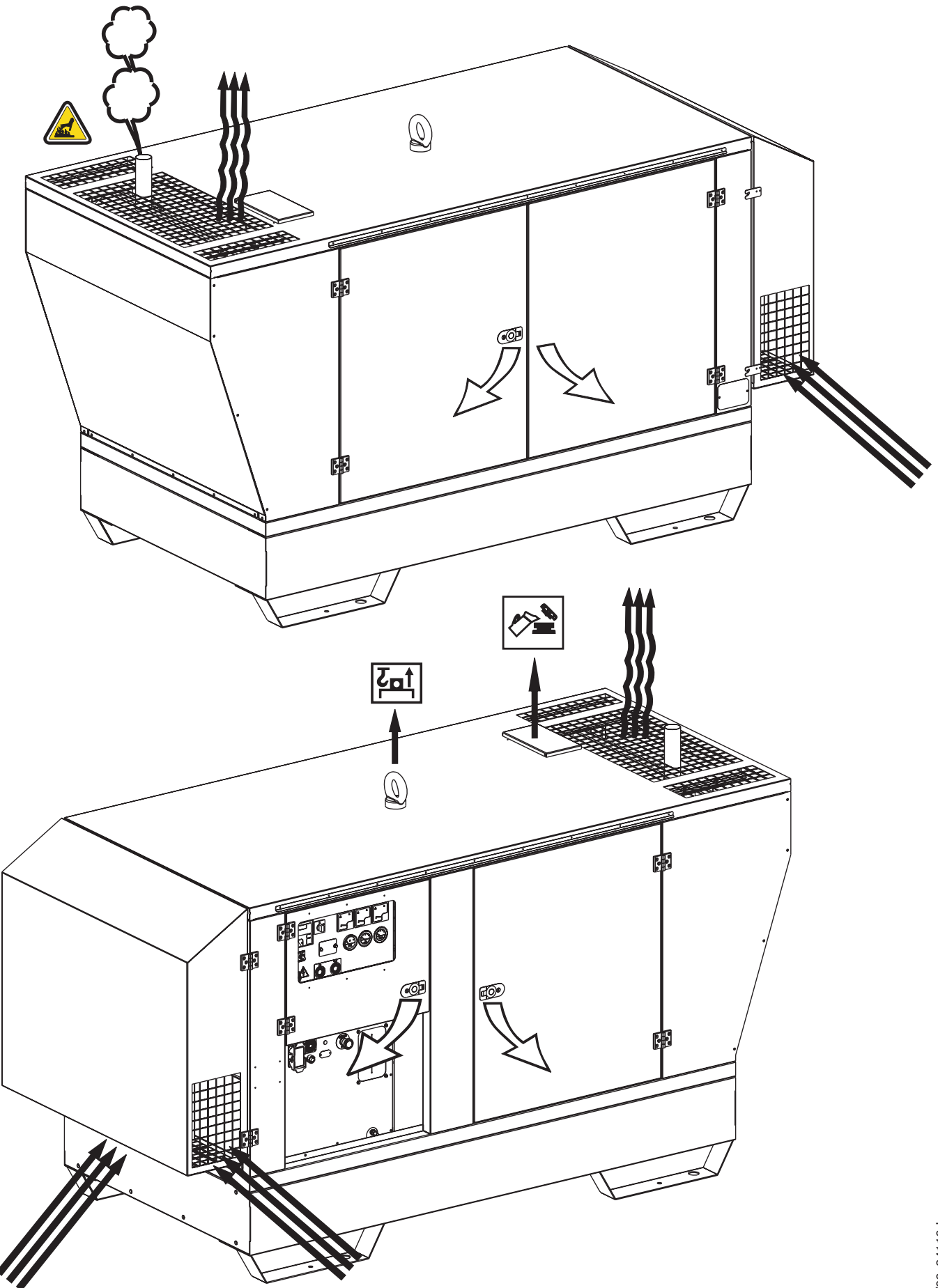


In spots where it often rains and/or there are flooded areas, do **not** put the machine:

- in the bad weather
- in flooded places.

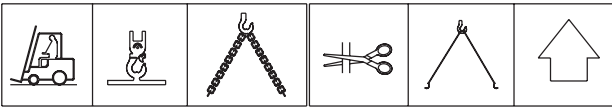
Protect all the electric parts at risk, because water infiltrations could cause short circuits with damages at persons and/or things.

The protection degree of the machine is put on the data plate and in this manual at page "Technical Data".





NOTE



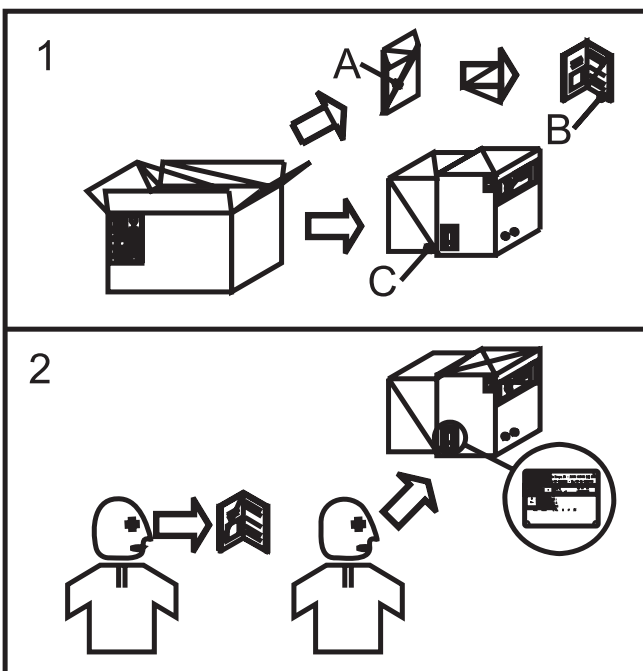
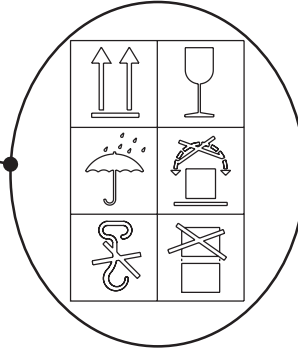
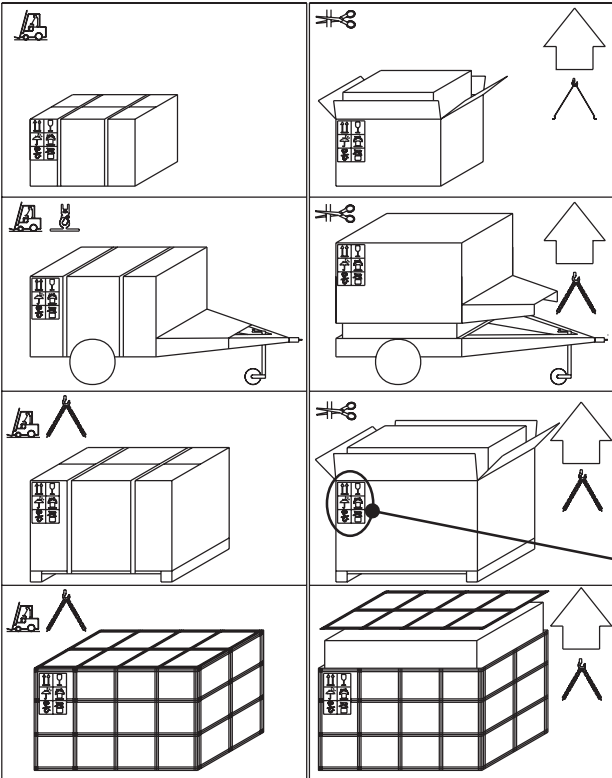
Be sure that the lifting devices are: correctly mounted, adequate for the weight of the machine with its packaging, and conforms to local rules and regulations.

When receiving the goods make sure that the product has not suffered damage during the transport, that there has not been rough handling or taking away of parts contained inside the packing or in the set.

In case you find damages, rough handling or absence of parts (envelopes, manuals, etc.), we advise you to inform immediately our Technical Service.



For eliminating the packing materials, the User must keep to the norms in force in his country.



- 1) Take the machine (C) out of the shipment packing. Take out of the envelope (A) the user's manual (B).
- 2) Read: the user's manual (B), the plates fixed on the machine, the data plate.

**NOTE**

In case you should transport or move the machine, keep to the instructions as per the figures.

Make the transportation when the machine has **no** petrol in its tank, **no** oil in the engine and and electrolyte in the battery.

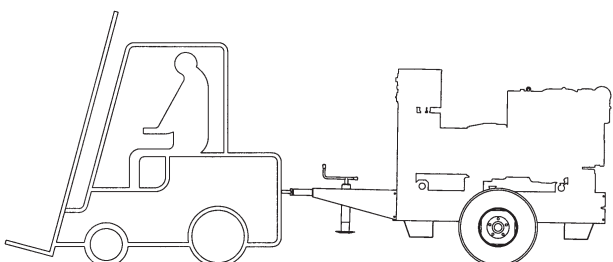
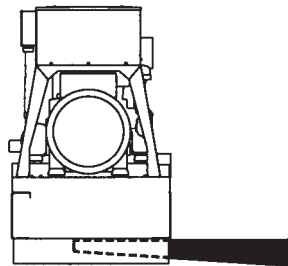
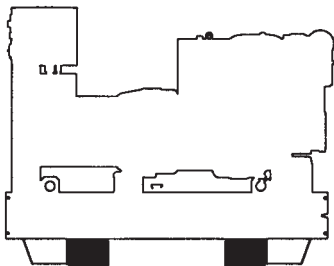
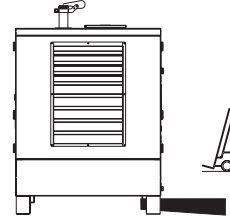
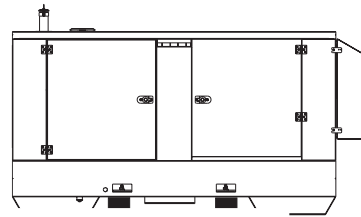
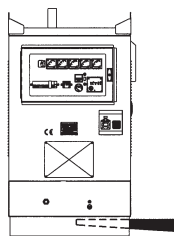
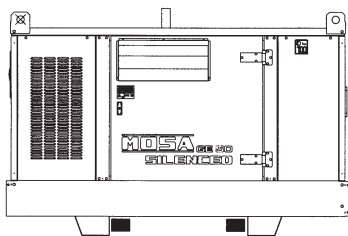
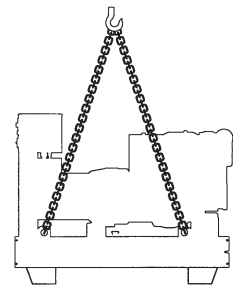
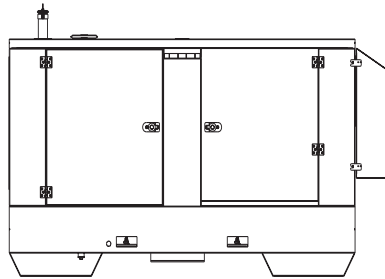
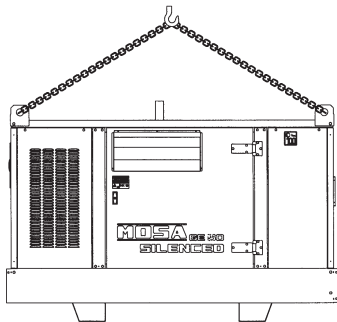
Be sure that the lifting devices are: correctly mounted, adequate for the weight of the machine with it's packaging, and conform to local rules and regulations.

Only authorized persons involved in the transport of the machine should be in the area of movement.

DO NOT LOAD OTHER PARTS WHICH CAN MODIFY WEIGHT AND BARICENTER POSITION.

IT IS STRICTLY FORBIDDEN TO DRAG THE MACHINE MANUALLY OR TOW IT BY ANY VEHICLE (model with no CTL accessory).

If you did not keep to the instructions, you could damage the structure of the machine.





BATTERY WITHOUT MAINTENANCE



Connect the cable + (positive) to the pole + (positive) of the battery (after having taken away the protection), by properly tightening the clamp.

Check the state of the battery from the colour of the warning light which is in the upper part.

- Green colour: battery OK
 - Black colour: battery to be recharged
 - White colour: battery to be replaced
- DO NOT OPEN THE BATTERY.**



LUBRICANT

RECOMMENDED OIL

MOSA recommends selecting **AGIP** engine oil. Refer to the label on the motor for the recommended products.

| | |
|--|---|
| | |
| <p>PRODOTTI RACCOMANDATI RECOMMENDED PRODUCTS</p> | |
| <p>AGIP SUPERDIESEL 15W/40 API CF4-SG</p> | <p>OLIO MOTORE DIESEL DIESEL ENGINE OIL</p> <input type="checkbox"/> |
| <p>AGIP SUPERMOTOROIL 20W/50 API CC-SF</p> | <p>OLIO MOTORE BENZINA GASOLINE ENGINE OIL</p> <input type="checkbox"/> |
| <p>AGIP ANTIFREEZE EXTRA INIBITE ETHYLENE GLYCOL (50% + 50% H₂O)</p> | <p>CIRCUITO DI RAFFREDDAMENTO COOLING CIRCUIT (CUNA NC 956-16 ED 97)</p> <input type="checkbox"/> |

Please refer to the motor operating manual for the recommended viscosity.

REFUELLING AND CONTROL:

Carry out refuelling and controls with motor at level position.

1. Remove the oil-fill tap (24)
2. Pour oil and replace the tap
3. Check the oil level using the dipstick (23); the oil level must be comprised between the minimum and maximum indicators.



AIR FILTER

Check that the dry air filter is correctly installed and that there are no leaks around the filter which could lead to infiltrations of non-filtered air to the inside of the motor.



FUEL



ATTENTION



Do not smoke or use open flames during refuelling operations, in order to avoid explosions or fire hazards.

Fuel fumes are highly toxic; carry out operations outdoors only, or in a well-ventilated environment.



Avoid accidentally spilling fuel. Clean any eventual leaks before starting up motor.

Refill the tank with good quality diesel fuel, such as automobile type diesel fuel, for example.

For further details on the type of diesel fuel to use, see the motor operating manual supplied.

Do not fill the tank completely; leave a space of approx. 10 mm between the fuel level and the wall of the tank to allow for expansion.

In rigid environmental temperature conditions, use special winterized diesel fuels or specific additives in order to avoid the formation of paraffin.



ATTENTION

It is dangerous to fill the motor with too much oil, as its combustion can provoke a sudden increase in rotation speed.



**COOLING LIQUID****ATTENTION**

Do not remove the radiator tap with the motor in operation or still hot, as the liquid coolant may spurt out and cause serious burns. Remove the tap very carefully.

Remove the tap and pour the liquid coolant into the radiator; the quantity and composition of the liquid coolant are indicated in the motor operating manual. Replace the tap, ensuring it is perfectly closed.

After refilling operations, allow the motor to run for a brief time and check the level, as it may have diminished due to air bubbles present in the cooling circuit; restore the level with water.

To replace the liquid coolant, follow the operations described in the motor operating manual.

**GROUNDING CONNECTION**

The grounding connection to an earthed installation **is obligatory** for all models equipped with a differential switch (circuit breaker). In these groups the generator star point is generally connected to the machine's earthing; by employing the TN or TT distribution system, the differential switch guarantees protection against indirect contacts.

In the case of powering complex installations requiring or employing additional electrical protection devices, the coordination between the protection devices must be verified.

For the grounding connection, use the terminal (12); comply to local and/or current regulations in force for electrical installations and safety.





Check daily



NOTE

Do not alter the primary conditions of regulation and do not touch the sealed parts.

The starting of the unit can be effected in 3 different modes:

1) Start with EP6 key (Engine Control)

Put the "Local/Remote" selector on Local. Turn the key on "ON", the EP6 display shows only on the machines with mounted glow plugs for 5 secs, the symbol "UUUU", then the message "Sta" appears the engine can be started, for which turn the key on "start" and start the engine.

On the display the word "Sta" remains for about 20 secs then automatically disappears; the engine **must be** started within 20 secs, otherwise the EP6 blocks the starting and on the display the word "fail" appears. Turning the key on "OFF" the EP6 is reset and a new starting cycle can be fixed.

Stop:

it is **COMPULSORY** to disconnect the load first, then to stop the engine turn the key on "OFF".

2) Remote starting with TCM35

Put the "Local/Remote" selector on Local. Connect TCM35 to the plug on the front panel and put the switch on "0".

Turn the key on ON in the EP6 (Engine Control), wait for the various signals to go out then press the button "AUTO" in the EP6 until the led "AUTO" flashes.

Shift the switch on "I" in the TCM35 and automatically the starting cycle will start. On the machines with mounted glow plugs appears in the display EP6 (for about 5 secs), the symbol "UUUU"; the starting cycle includes 3 starting trials.

When the engine starts the led "AUTO" remains lit continuously and simultaneously the red warning light will light in the TCM35.

Stop:

it is **COMPULSORY** to disconnect the load first, then shift the switch of the TCM35 on "0", the engine will stop immediately.

3) Start with Automatic start unit (EAS)

Put the "Local/Remote" selector on Remote.

Connect the EAS to unit.

The EAS controls the starting as well as the stop of the engine.

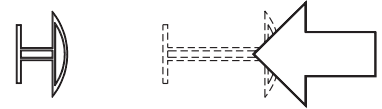
Follow attentively the instructions reported in the EAS manual. In these conditions the EP6 has the only function to measure the electric values, hour-meter, etc.



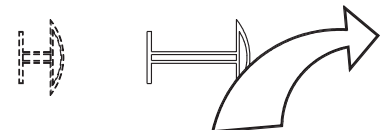
CAUTION

MACHINE WITH EMERGENCY BUTTON

Pressing the button the engine will stop immediately in any working condition.



Turn clockwise to reset the button.



CAUTION

RUNNING-IN

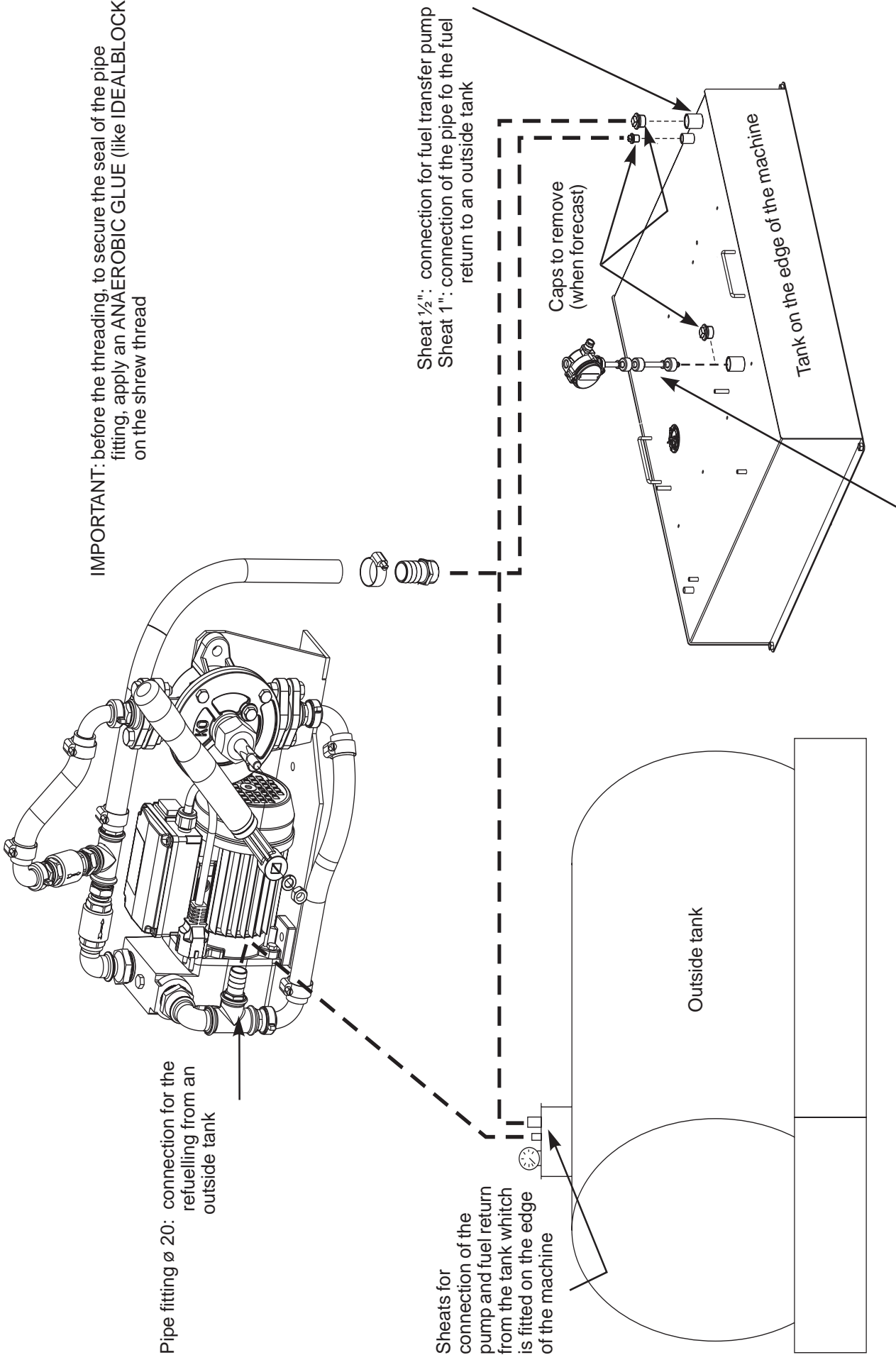
During the first 50 hours of operation, do not use more than 60% of the maximum output power of the unit and check the oil level frequently, in any case please stick to the rules given in the engine use manual.



NOTE

For safety reason the key must be kept by qualified personel.

IMPORTANT: before the threading, to secure the seal of the pipe fitting, apply an ANAEROBIC GLUE (like IDEALBLOCK) on the shrew thread



Pipe fitting $\varnothing 20$: connection for the refuelling from an outside tank

Sheet $\frac{1}{2}$ " : connection for fuel transfer pump
 Sheet 1" : connection of the pipe for the fuel return to an outside tank

Sheats for connection of the pump and fuel return from the tank which is fitted on the edge of the machine

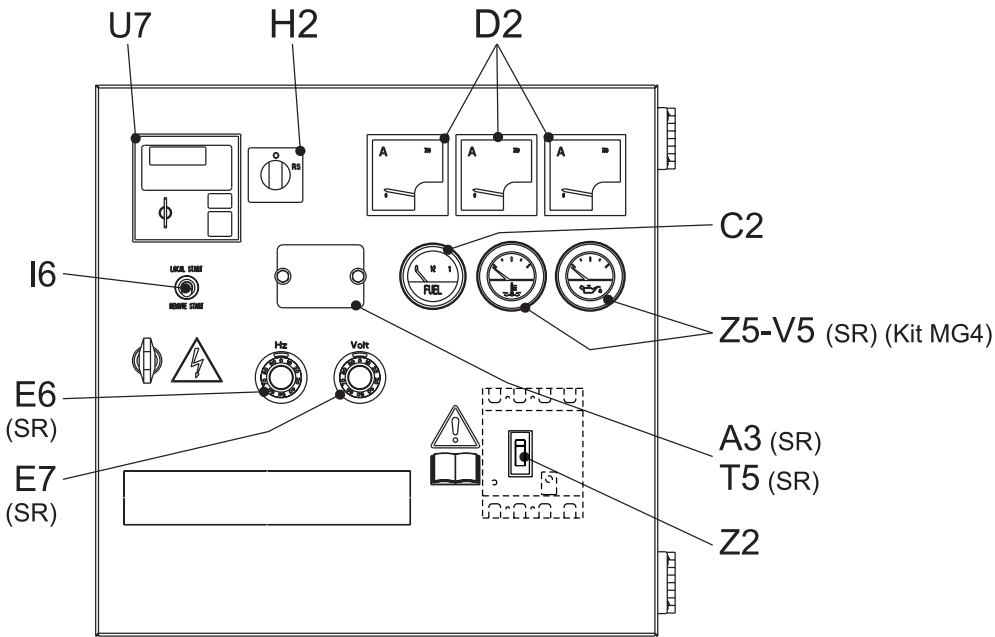
Caps to remove (when forecast)

Outside tank

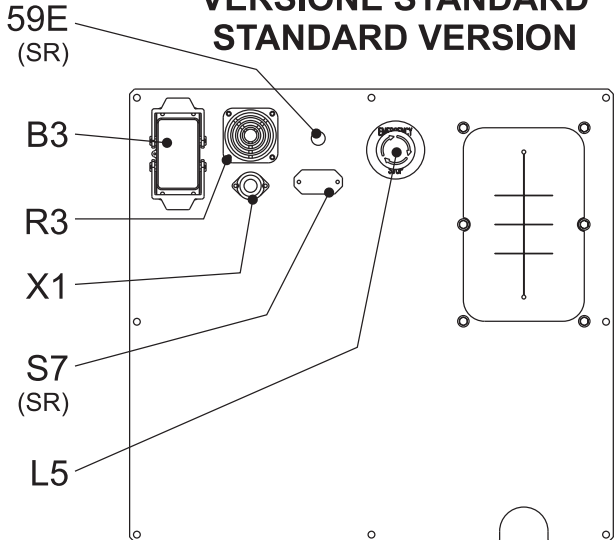
Tank on the edge of the machine

Fuel level gauge. The level gauge has to be connected to the PCB control transfer pump (see the specific electric diagram)

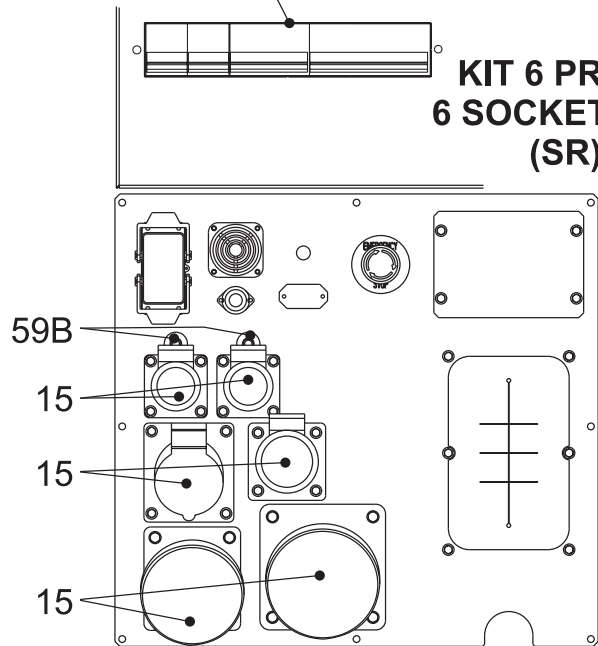
| | | | |
|-----|--|----|---|
| 4A | Hydraulic oil level light | B4 | Exclusion indicating light PTO HI |
| 9 | Welding socket (+) | B5 | Auxiliary current push button |
| 10 | Welding socket (-) | C2 | Fuel level light |
| 12 | Earth terminal | C3 | E.A.S. PCB |
| 15 | A.C. socket | C6 | Control unit for generating sets QEA |
| 16 | Accelerator lever | D | Ground fault interrupter (30 mA) |
| 17 | Feed pump | D1 | Engine control unit and economiser EP1 |
| 19 | 48V D.C. socket | D2 | Ammeter |
| 22 | Engine air filter | E2 | Frequency meter |
| 23 | Oil level dipstick | F | Fuse |
| 24 | Engine oil reservoir cap | F3 | Stop switch |
| 24A | Hydraulic oil reservoir cap | F5 | Warning light, high temperature |
| 24B | Water filling cap | F6 | Arc-Force selector |
| 25 | Fuel prefilter | G1 | Fuel level transmitter |
| 26 | Fuel tank cap | H2 | Voltage commutator |
| 27 | Muffler | H6 | Fuel electro pump |
| 28 | Stop control | I2 | 48V A.C. socket |
| 29 | Engine protection cover | I3 | Welding scale switch |
| 30 | Engine cooling/alternator fan belt | I4 | Preheating indicator |
| 31 | Oil drain tap | I5 | Y/▲ switch |
| 31A | Hydraulic oil drain tap | I6 | Start Local/Remote selector |
| 31B | Water drain tap | L | A.C. output indicator |
| 31C | Exhaust tap for tank fuel | L5 | Emergency button |
| 32 | Button | L6 | Choke button |
| 33 | Start button | M | Hour counter |
| 34 | Booster socket 12V | M1 | Warning level light |
| 34A | Booster socket 24V | M2 | Contactora |
| 35 | Battery charge fuse | M5 | Engine control unit EP5 |
| 36 | Space for remote control | M6 | CC/CV switch |
| 37 | Remote control | N | Voltmeter |
| 42 | Space for E.A.S. | N1 | Battery charge warning light |
| 42A | Space for PAC | N2 | Thermal-magnetic circuit breaker/Ground fault interrupter |
| 47 | Fuel pump | N5 | Pre-heat push-button |
| 49 | Electric start socket | N6 | Connector - wire feeder |
| 54 | Reset button PTO HI | O1 | Oil pressure warning light/Oil alert |
| 55 | Quick coupling m. PTO HI | P | Welding arc regulator |
| 55A | Quick coupling f. PTO HI | Q1 | Starter key |
| 56 | Hydraulic oil filter | Q3 | Derivation box |
| 59 | Battery charger thermal switch | Q4 | Battery charge sockets |
| 59A | Engine thermal switch | Q7 | Welding selector mode |
| 59B | Aux current thermal switch | R3 | Siren |
| 59C | Supply thermal switch wire feeder-42V | S | Welding ammeter |
| 59D | Pre-heater (spark plug) thermal switch | S1 | Battery |
| 59E | Supply thermal switch oil/water heater | S3 | Engine control unit EP4 |
| 59F | Electropump thermal switch | S6 | Wire feeder supply switch |
| 63 | No load voltage control | S7 | Plug 230V singlephase |
| 66 | Choke control | T | Welding current regulator |
| 67A | Auxiliary / welding current control | T4 | Dirty air filter warning light/indicator |
| 68 | Cellulosic electrodes control | T5 | Earth leakage relay |
| 69A | Voltmeter relay | T7 | Analogic instrument V/Hz |
| 70 | Warning lights | U | Current transformer |
| 71 | Selecting knob | U3 | R.P.M. adjuster |
| 72 | Load commut. push button | U4 | Polarity inverter remote control |
| 73 | Starting push button | U5 | Release coil |
| 74 | Operating mode selector | U7 | Engine control unit EP6 |
| 75 | Power on warning light | V | Welding voltage voltmeter |
| 76 | Display | V4 | Polarity inverter control |
| 79 | Wire connection unit | V5 | Oil pressure indicator |
| 86 | Selector | W1 | Remote control switch |
| 86A | Setting confirmation | W3 | Selection push button 30 I/1' PTO HI |
| 87 | Fuel valve | W5 | Battery voltmeter |
| 88 | Oil syringe | X1 | Remote control socket |
| A3 | Insulation monitoring | Y3 | Button indicating light 20 I/1' PTO HI |
| A4 | Button indicating light 30 I/1' PTO HI | Y5 | Commutator/switch, serial/parallel |
| B2 | Engine control unit EP2 | Z2 | Thermal-magnetic circuit breaker |
| B3 | E.A.S. connector | Z3 | Selection push button 20 I/1' PTO HI |
| | | Z5 | Water temperature indicator |



**VERSIONE STANDARD
STANDARD VERSION**



**KIT 6 PRESE
6 SOCKETS KIT
(SR)**





WARNING

It is absolutely forbidden to connect the unit to the public mains and/or another electrical power source .



Access forbidden to area adjacent to electricity-generating group for all non-authorized personnel.

The electricity-generating groups are to be considered electrical energy producing stations.

The dangers of electrical energy must be considered together with those related to the presence of chemical substances (fuels, oils, etc.), rotating parts and waste products (fumes, discharge gases, heat, etc.).

GENERATION IN AC (ALTERNATING CURRENT)

Before each work session check the efficiency of the ground connection for the electricity-generating group if the distribution system adopted requires it, such as, for example, the TT and TN systems.

Check that the electrical specifications for the units to be powered - voltage, power, frequency - are compatible with those of the generator. Values that are too high or too low for voltage and frequency can damage electrical equipment irreparably.

In some cases, for the powering of three-phase loads, it is necessary to ensure that the cyclic direction of the phases corresponds to the installation's requirements.

Connect the electric devices to be powered to the AC sockets, using suitable plugs and cables in prime condition.

Before starting up the group, make certain no dangerous situations exist on the installation to be powered.

Check that the thermal-magnetic switch (Z2) is in the OFF position (input lever in downward position).

Start up the electricity-generating group, positioning the thermal-magnetic switch (Z2) and differential switch (D) to ON (input lever in upward position).

Before powering on the utilities, check that the voltmeter (N) and frequency meter (E2) indicate nominal values; in addition, check on the voltmeter change-over switch (H2) (where it is assembled) that the three line voltages are the same.

In the absence of a load, the values for voltage and frequency can be greater than their nominal values. See sections on VOLTAGE and FREQUENCY.

OPERATING CONDITIONS

POWER

The electrical power expressed in kVA on an electricity-generating group is the available output power to the reference environmental conditions and nominal values for: voltage, frequency, power factors ($\cos \varphi$).

There are various types of power: PRIME POWER (PRP), STAND-BY POWER established by ISO 8528-1 and 3046/1 Norms, and their definitions are listed in the manual's TECHNICAL SPECIFICATIONS page.

During the use of the electricity-generating group **NEVER EXCEED** the power indications, paying careful attention when several loads are powered simultaneously.

VOLTAGE

GENERATORS WITH COMPOUND SETTING.

In these types of generators, the no-load voltage is generally greater than 3–5% with respect to its nominal value; f.e. for nominal voltage, threephase 400Vac or singlephase 230Vac, the no-load voltage can be comprised between 410-420V (threephase) and 235-245V (singlephase). The precision of the load voltage is maintained within $\pm 5\%$ with balanced loads and with a rotation speed variation of 4%. Particularly, with resistive loads ($\cos \varphi = 1$), a voltage over-elevation occurs which, with the machine cold and at full load, can even attain +10 %, a value which in any case is halved after the first 10-15 minutes of operation.

The insertion and release of the full load, under constant rotation speed, provokes a transitory voltage variation that is less than 10%; the voltage returns to its nominal value within 0.1 seconds.

GENERATORS WITH ELECTRONIC SETTING (A.V.R.).

In these types of generators, the voltage precision is maintained within $\pm 1,5\%$, with speed variations comprised from -10% to +30%, and with balanced loads. The voltage is the same both with no-load and with load; the insertion and release of the full load provokes a transitory voltage variation that is less than 15%; the voltage returns to its nominal value within 0.2–0.3 seconds.

FREQUENCY

The frequency is a parameter that is directly dependent on the motor's rotation speed. Depending on the type of alternator, 2 or 4 pole, we will have a frequency of 50/60 Hz with a rotation speed of 3000/3600 or 1500/1800 revolutions per minute.

The frequency, and therefore the number of motor revolutions, is maintained constant by the motor's speed regulation system.

Generally, this regulator is of a mechanical type and presents a droop from no-load to nominal load which is less than 5 % (static or droop), while under static conditions precision is maintained within $\pm 1\%$. Therefore, for generators at 50Hz the no-load frequency can be 52–52.5 Hz, while for generators at 60Hz the no-load frequency can be 62.5-63Hz.



In some motors or for special requirements the speed regulator is electronic; in these cases, precision under static operating conditions attains $\pm 0.25\%$, and the frequency is maintained constant in operation from no-load to load (isochronal operation).

POWER FACTOR - COS ϕ

The power factor is a value which depends on the load's electrical specifications; it indicates the ratio between the Active Power (kW) and Apparent Power (kVA). The apparent power is the total power necessary for the load, achieved from the sum of the active power supplied by the motor (after the alternator has transformed the mechanical power into electrical power), and the Reactive Power (kVAR) supplied by the alternator. The nominal value for the power factor is $\cos \phi = 0,8$; for different values comprised between 0.8 and 1 it is important during usage not to exceed the declared active power (kW), so as to not overload the electricity-generating group motor; the apparent power (kVA) will diminish proportionally to the increase of $\cos \phi$.

For $\cos \phi$ values of less than 0.8 the alternator must be downgraded, since at equal apparent power the alternator should supply a greater reactive power. For reduction coefficients, contact the Technical Service Department.

START-UP OF ASYNCHRONOUS MOTORS

The start-up of asynchronous motors from an electricity-generating group can prove critical because of high start-up currents the asynchronous motor requires (I start-up = up to 8 times the nominal current I_n). The start-up current must not exceed the alternator's admissible overload current for brief periods, generally in the order of 250–300% for 10–15 seconds.

To avoid a group oversize, we recommend following these precautionary measures:

- in the case of a start-up of several motors, subdivide the motors into groups and set up their start-up at intervals of 30–60 seconds.
- when the operating machine coupled to the motor allows it, see to a start-up with reduced voltage, star point/triangle start-up or with autotransformer, or use a soft-start system.

In all cases, when the user circuit requires the start-up of an asynchronous motor, it is necessary to check that there are no utilities inserted into the installation, which in the case of a voltage droop can cause more or less serious disservices (opening of contact points, temporary lack of power to control and command systems, etc.).

SINGLE-PHASE LOADS

Power to monophasic utilities by means of three-phase generators requires some operating limitations.

- In single-phase operation, the declared voltage tolerance can no longer be maintained by the regulator (compound or electronic regulator), since the system becomes highly unbalanced. **The voltage variation on the phases not affected by the power can prove dangerous; we recommend sectioning the other loads eventually connected.**

- The maximum power which can be drawn between Neutral and Phase (start connection) is generally 1/3 of the nominal three-phase power; some types of alternators even allow for 40%. Between two Phases (triangle connection) the maximum power cannot exceed 2/3 of the declared three-phase power.
- In electricity-generating groups equipped with monophasic sockets, use these sockets for connecting the loads. In other cases, always use the "R" phase and Neutral.

ELECTRIC PROTECTIONS

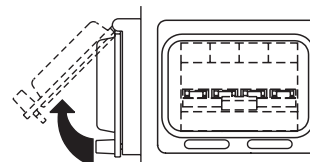
THERMAL-MAGNETIC SWITCH

The electricity-generating group is protected against short-circuits and against overloads by a thermal-magnetic switch (Z2) situated upstream from the installation. Operating currents, both thermic and magnetic, can be fixed or adjustable in relation to the switch model.

In models with adjustable operating current **do not modify** the settings, since doing so can compromise the installation's protection or the electricity-generating group's output characteristics. For eventual variations, contact our Technical Service Department.

The intervention of the protection feature against overloads is not instantaneous, but follows a current overload/time outline; the greater the overload the less the intervention.

Furthermore, keep in mind that the nominal operating current refers to an operating temperature of 30°C, so that each variation of 10°C roughly corresponds to a variation of 5% on the value of nominal current.

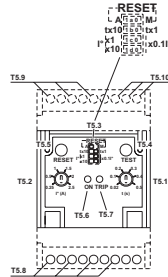
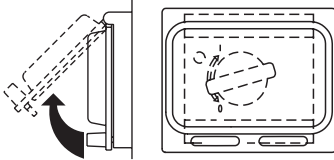


In case of an intervention on the part of the thermal magnetic protection device, check that the total absorption does not exceed the electricity-generating group's nominal current.



DIFFERENTIAL SWITCH

The differential switch or differential relay guarantee protection against indirect contacts due to malfunction currents towards the ground. When the device detects a malfunction current that is higher than the nominal current or the set current, it intervenes by cutting off



power to the circuit connected. In the case of an intervention by the differential switch, check that there are no sheathing defects in the installation: connection cables, sockets and plugs, utilities connected. Before each work session, check the operation of the differential protection device by pressing the test key. The electricity-generating group must be in operation, and the lever on the differential switch must be in the ON position.

THERMIC PROTECTION

Generally present to protect against overloads on an individual power socket c.a. When the nominal operating current has been exceeded, the protection device intervenes by cutting off power to the socket. The intervention of the protection device against overloads is not instantaneous, but follows a current overload/time outline; the greater the overload the less the intervention. In case of an intervention, check that the current absorbed by the load does not exceed the protection's nominal operating current. Allow the protection to cool off for a few minutes before resetting by pressing the central pole.



USAGE WITH EAS AUTOMATIC START-UP PANEL

The electricity-generating group in combination with the EAS automatic start-up panel forms a unit for distributing electrical energy within a few seconds of a power failure from the commercial electrical power line.

Below is some general operating information; refer to the automatic panel's specific manual for details on installation, command, control and signalling operations.

- Perform connections on the installation in safety conditions. Position the automatic panel in RESET or LOCKED mode.
- Carry out the first start-up in MANUAL mode. Check that the generator's LOCAL START / REMOTE START switch (I6) is in the REMOTE position. Check that the generator switches are enabled (input lever in upward position). Position the EAS panel in manual mode by pressing MAN. key, and only after having checked that there are no dangerous situations, press the START key to start the electricity-generating group.
- During the operation of the generator, all controls and signals from both the automatic panel and group are enabled; it is therefore possible to control its operation from both positions. In case of an alarm with a shutdown of the motor (low pressure, high temperature, etc.), the automatic panel will indicate the malfunction that has caused the stoppage, while the generator's front panel will be disabled and will no longer supply any information.

ATTENTION

Do not keep the central pole on the thermic protection forcefully pressed to prevent its intervention.



**MAKE SURE**

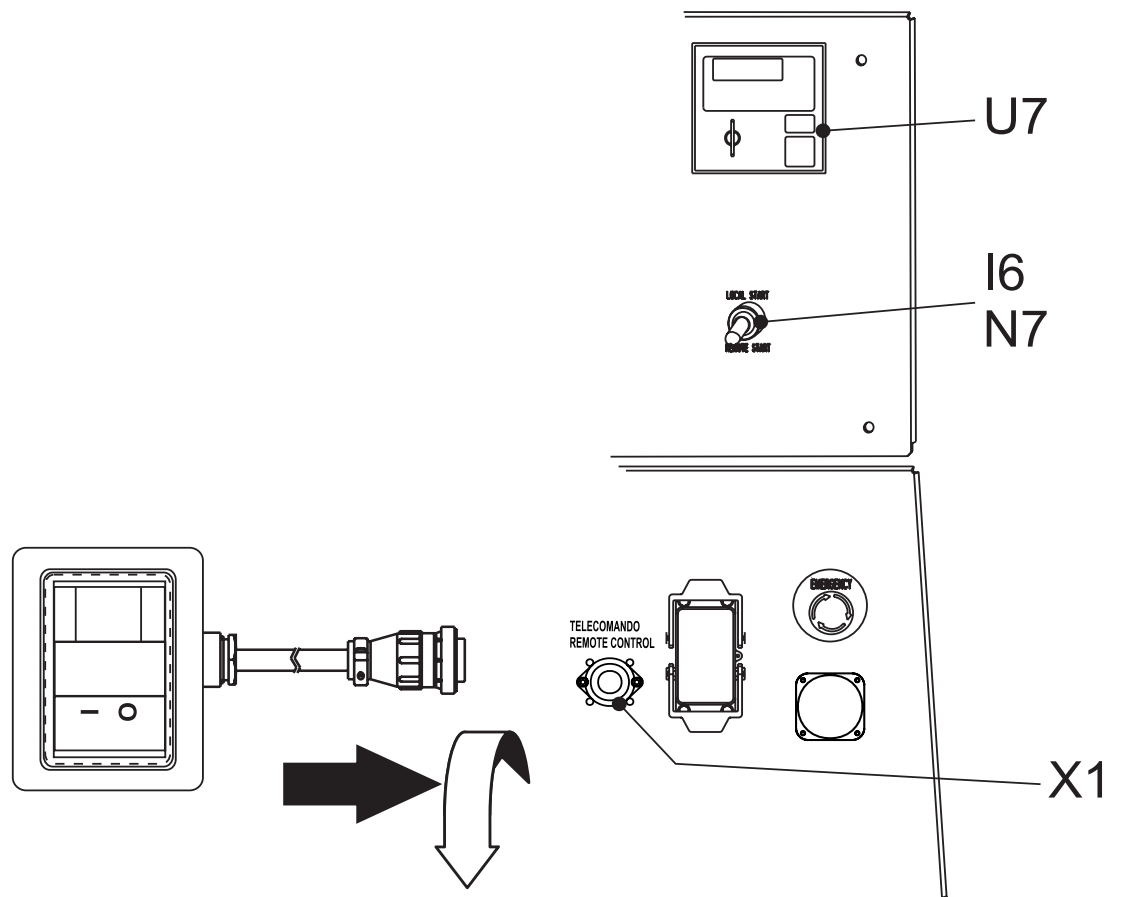
- The selector LOCAL START/REMOTE START (I6) of the generating set must be switched on LOCALSTART.
- Put the selector „switch board (N7)“ on ON.

The coupling of the TCM 35 with the generating set, ready for remot starting, permits to work far from the set itself.

The remote control is connected to the front plate (X1), and/or rear plate, with a multiple connector.

N.B. The remote control TCM 35 can be used only with machines equipped with control and protection device EP6 (U7).

For use of TCM 35 see page M21 (start and stop) of this manual.





NOTE

Don not intervene on the setting of the protection switch. Before using the machine check the ON warning lamp lighting.

USE AS TROUBLE INDICATOR:

Placed on the front panel, the insulation monitor (A3) is a relay which controls continuously the insulation of the generation a.c. circuits towards the ground.

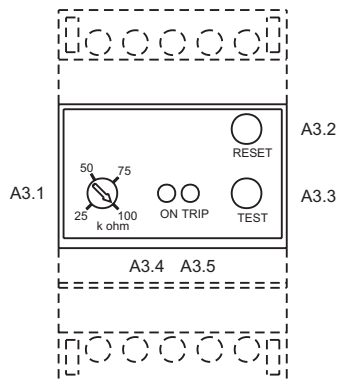
The device generates internally a continuous 12V voltage which is applied between the circuit under control and the ground.

USE AS TROUBLE INDICATOR AND INTERVENTION:

The insulation monitor controls a device (release coil, contactor, etc.) which opens the whole circuit, lifting voltage in the whole part of the machine a.c. generation.

USE OF RI – R22M MODEL:

- To vary the regulation call our Technical Assistance Department
- The LED ON shows that the device is fed.
- Check that it works correctly pressing the TEST push button
- The LED TRIP will simulate on intervention or anyway will show the real intervention in case the insulation fails.
- Reset the circuit pressing the RESET push button after having checked the plant and removed the problem cause.

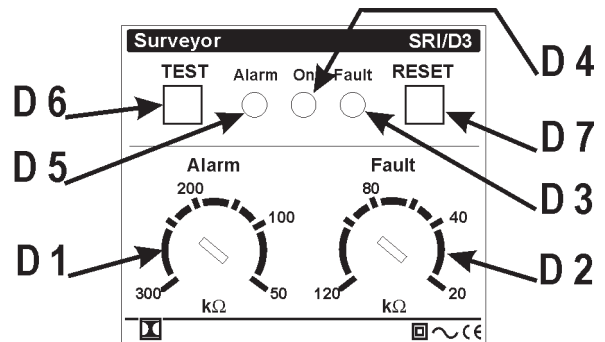


LEGEND:

- A3.1 - Adjustment potentiometer insulation resistance
- A3.2 - Manual reset push button
- A3.3 - Test push button
- A3.4 - Auxiliary feeding presence LED
- A3.5 - TRIP LED

USE OF SRI/D3 MODEL

- To vary the regulation call our Technical Assistance Department
- The warning light ON shows that the device is fed.-
- Pressing a long time the Test push-button, the Fault led lights and the Alarm led twinkles;
- Leaving it, the Alarm led goes off while the Fault led remains lit. The pressure on the Reset key brings the device back to initial conditions.
- If the insulation resistance goes down below the fixed alarm value, the Alarm led twinkles, at the same time the Alarm contact switches; if the insulation resistance goes down furtherly and becomes inferior to the fixed value for the Fault, the Fault led lights and at the same time both exchange contacts switch putting the Fault in activity and the Alarm at rest.
- After having checked the device and removed the cause of the problem, re-establish the circuit pressing the push-button RESET.



LEGEND:

- D1 Regulation of Alarm threshold
- D2 Regulation of Fault threshold
- D3 Led, fault indication
- D4 Led feeding indication
- D5 Led Alarm indication
- D6 Test push-button
- D7 Reset push-button



NOTE

Don not intervene on the setting of the protection switch. Before using the machine check the ON warning lamp lighting.

The relay allows to select the tripping current value so as to keep values of contact voltage of the limits indicated by the electrical security norms.

These adjustments allow to perform a tripping selectivity or either current or delay when more relays are located along the same line in protection of the different starting signals.

SW G.F.I.

The SW G.F.I. switch placed inside the electric control panel - or inside the electric box - allows to exclude the differential relay in case of need from the group to be feeded.

WARNING: Have qualified personnel to exclude protection in order to foresee other electrical safety solutions.

USE OF THE DER2 / D2B MODEL (MOSA SET UP)

- 1) Manual reset
- 2) Regulation of intervention time: 0.5 seconds
- 3) Regulation of fault current: 30 mA
- 4) Output relay: N.De or N.E. according to the model of the machine .

☎ - In order to modify the set up call the Technical Assistance Centres

The GFI is equipped with three tests, two of which are effected automatically by the instrument.

1. manual test (trial push button)
2. automatic test of the toroid/relay connection (guard)
3. automatic test of the board electronics. In case of fault the output relay trips and the Fault led lights with fixed light.

It is able to work correctly even in presence of harmonic distortion or anyway with very disturbed signals.

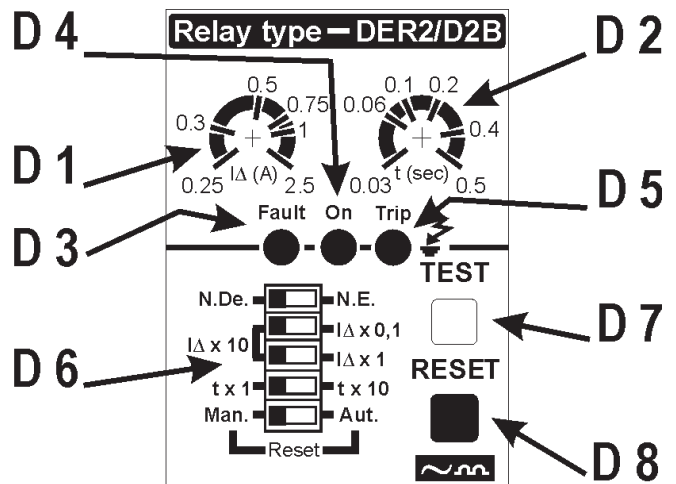
In case the internal temperature goes over the threshold for a good functioning , the Fault led will twinkle.

Its interruption due to a fault of the toroid (break of the connection wire) or a fault in the internal circuits brings to the automatic intervention of the protection

To help the user in setting up the intervention delay, the potentiometer t(s) rotation in correspondance of a reference mark causes the Fault led to twinkle for a few seconds.

LEGEND:

- D1 Potentiometer for earthing fault current regulation
- D2 Potentiometer for intervention time regulation
- D3 Multifunction led for indication of: internal electronics fault / internal temperature out of range/ t(s) centred correctly.
- D4 Led indicating presence of feeding
- D5 Led indicating intervention of GFI relay
- D6 Micro-switches for setting up of the instrument
- D7 Trial push-button
- D8 Push-button for the manual reset



EP6 OEM's Manual - Contents

| | |
|--------------------------------|----------|
| 1.0 Introduction | M39.12 |
| 2.0 Operating Mode selection | M39.12 |
| 2.1 AUTO operating mode | M39.12 |
| 2.2 MANUAL operating mode | M39.12 |
| 2.3 OFF operating mode | M39.12 |
| 3.0 DISPLAY features | M39.12 |
| 4.0 ALARM messages | M39.12.1 |
| 4.1 Operating Messages | M39.12.1 |
| 5.0 LEDs for visual indication | M39.12.1 |
| 5.1 LEDs and Display Test | M39.12.1 |
| 6.0 Parameters and Settings | M39.12.1 |
| 7.0 Remote Start | M39.12.4 |
| 8.0 Safety | M39.12.4 |
| 9.0 Automatic Periodic Test | M39.12.4 |
| 10.0 Front Panel Description | M39.12.4 |
| 11.0 Dimensions and Rear View | M39.12.4 |

1.0 INTRODUCTION

The EP6 features Engine and Generating Set control and monitoring. The EP6 provides visual indication by means of LEDs (solid state lamps) and a Display (see section 10.0). It features OFF, MAN and AUTO operating modes. The display gives Messages for alarms and Measurement indications.

2.0 OPERATING MODE selection

The EP6 features AUTO (section 2.1), MANUAL (section 2.2) and OFF (section 2.3) operating modes. When the power supply is switched on, the EP6 behaves as follow:

- A) if the KEY-SWITCH is in the **OFF position**, the EP6 enters the OFF operating mode.
- B) if the KEY-SWITCH is in the **ON position**, the EP6 enters the AUTO operating mode. That is, if the EP6 was in AUTO prior to the supply removal. If not, the EP6 enters the MANUAL operating mode.

2.1 AUTO operating mode

To enter the 'AUTO' operating mode use the following instructions:

- A) - Turn ON the key switch: the Display and LEDs illuminate for 1 second.
- B) - Wait for the end of the LAMP test, then push the AUTO pushbutton after the [UUUU] (Pre-glow) or [Sta-] (Start prompt) has been displayed. After this, the yellow Led AUTO will illuminate. If the REMOTE START input is not operative, the LED will flash. If operative, the LED illuminates continuously and a start cycle will take place (**NOTE**: the EP6 shuts down the display during the crank).
- C) - In order to cancel the AUTO operating mode,

push the AUTO pushbutton (the yellow Led will turn OFF) or turn the KEY-SWITCH to OFF.

Once in AUTO, the EP6 waits for a REMOTE START activation (see section 7.0).

In case of an Automatic Periodic Test (A.P.T.), the display will show the message [tEst].

2.2 MANUAL operating mode

To start the engine follow the instructions:

- A) - Turn ON the KEY-SWITCH; the EP6 illuminates the LEDs and Display.
- B) - If the display shows the message [uuuu], the EP6 is counting the PRE-GLOW time; wait until the message disappears.
- C) - After the display shows the flashing message [StA-] (**NOTE**), turn the Key to START position (momentary position with spring-loaded return) until the engine starts. The message [. . .] indicates a MANUAL start.
- D) - To stop the engine, turn the KEY SWITCH to OFF.

NOTE: EP6 shows the blinking [StA-] message for 20 seconds. After this time, if the engine does not start, the EP6 displays the message [FAIL] (Fail to start, see section 4.07). To clear the alarm, turn the KEY-SWITCH to OFF.

2.3 OFF operating mode

This function is obtained by turning the KEY SWITCH to OFF. The OFF operating mode clears the fault alarms and shuts down the Display after 5 seconds. A blinking dot indicates the presence of the power supply. Press one of the pushbuttons to energize the display. In OFF operating mode, the EP6 allows reading of the parameters (see section 6.0)

3.0 DISPLAY features

The EP6 features a 4 Digit Display (section 10.0) to show measurements, settings and error messages. The [UP-DOWN] pushbutton selects one of the following menus:

- [AXXX] (*) Generator Current measurement
- [UXXX] The Voltage of the Generating Set
- [rPM] [XXXX] Speed of the engine
- [HXX.X] Frequency of the Generator
- [bXX.X] Battery Voltage.
- [cXX.X] Charger Alternator Voltage
- [h] [XXXX] HOUR METER (the message [h] appears for a moment, and then, the counter will be displayed continuously)

(*): the symbol 'X' means a numerical field.

4.0 ALARM messages

The alarms are displayed by means of messages. In case of alarm consult your Generating Set manufacturer. To remove the message, turn OFF the KEY-SWITCH. The EP6 may show one of the following:

| | |
|------------|---------------------------|
| [OIL] | Low Oil Pressure |
| [°C] | High Temperature |
| [O.SPd.] | Over Speed of the engine |
| [U.SPd] | Under Speed of the engine |
| [bELt] | Failure of the belt |
| [ALAr] | External Emergency Stop |
| [FUEL](1) | Low Fuel in the tank |
| [FAIL] (3) | Starting Failure Alarm |
| [E 05](2) | Generator Overload |
| [Hi H](2) | Generator Over Frequency |
| [Lo H](2) | Generator Under Frequency |
| [Hi U] (2) | Generator Under Voltage |
| [Lo U](2) | Generator Under Voltage |
| [XX.X] | Battery Voltage |
| [Err] | Memory error |
| [E 04] | Alternator Failure |

(1) [FUEL] This message indicates Low Fuel in the tank . The engine stops if the contacts remain closed for 5 minutes continuously. To clear the alarm, follow the instructions:

- turn OFF the key switch - b) fill the tank
- turn ON the key to display the message [FULL]
- turn OFF the key in order to cancel the alarm
- turn ON the key to select the MANUAL or AUTO operating mode

(2) To determine the value that caused the failure, push the [F1] pushbutton.

4.1 OPERATING messages

EP6 features messages to inform you about the following:

| | |
|----------|-----------------------------------|
| [uuuu] | Glow-plugs timing |
| [U—] | Voltage out of range |
| [StA-] | Start prompt |
| [. . .] | Starting by key switch |
| [rESt] | Rest timing |
| [tESt] | Automatic Test |
| [CAL] | Calibration |
| [Pro-] | Programming |
| [rEAd] | Parameter reading |
| [StOP] | Stopping cycle |
| [MM.SS] | Remote Start or Remote Stop cycle |

5.0 LEDs for visual indication

The EP6 features two LEDs (see section 10.0) to indicate the following conditions:

[ENGINE RUNNING]: this green led illuminates when the engine is running.

[AUTO]: this yellow LED blinks to indicate a standby mode. The EP6 monitors the REMOTE CONTROL and expects a command. The LED illuminates continuously when the REMOTE START is activated.

5.1 LEDs and Display Test

A test of the LEDs and DISPLAY is obtained automatically anytime the key switch is turned ON. The LEDs and DISPLAY light up for about 1 second.

6.0 Parameters and settings

The unit is programmed by the supplier of the Generating Set. Contact the Generator manufacturer in order to have the permission to program the module. It is possible to read the status of the internal programming at anytime. Follow the instructions:

- Turn the Key in OFF (if the display indicates [STOP], wait until it disappears)
- Push and hold the [F1] pushbutton until the message [rEAd] appears (10 secs).
- Release the button; the display will show the first programmable parameter ([P.0]).
- Push the [F1] pushbutton: the display will indicate the value of the parameter ([1"]).
- Push the [UP-DOWN] pushbutton to select a parameter ([P.0] to [P.29]). Push [F1] to display the setting.
- The display returns to menu mode if you have not used the pushbuttons for 30 seconds.

The list of the parameters follows ([,] means minutes and [,] means seconds). Some parameters may differ according to the programming done by the genset manufacturer.

| Display | Parameter [Default] |
|-------------|---|
| [P.0] | Remote Start Delay Timing (Input #7) [1"] Range: 1-59 secs or 1-15 mins Seconds or minutes of continuous REMOTE START command to initiate the automatic engine start (see section 7.0 and [P20] in this section). |
| [P.1] | Remote Stop Delay Timing (Input #7) [1"] Range: 1-59 secs or 1-15 mins Seconds or minutes of continuous absence of the REMOTE START command to initiate the stop cycle (see section 7.0 and [P.20] in this section). |
| [P.2] | Crank Timing (Output #10) [5"] Range: 1-20 seconds Maximum insertion time of the <i>Starter Motor</i> . |
| [P.3] | Engine Running Trigger (Input#1) [8.0] Range: 3V-24V,[inh] If the voltage of the Charger Alternator rises above the [setting], the <i>Starter Motor</i> is disconnected. |
| [P.4] | Rest Timing [3"] Range: 3-20 secs. Time interval between starting attempts |
| [P. 5] | Starting Attempts [3] Range: 1-10 This parameter sets the number of attempts in the automatic start cycle |
| [P.6] | Generator UnderVoltage, short-circuit [inh.] Range: 80-400V. If the voltage drops under the [setting] for at least 6 secs, or under [setting]-20% for 1 sec, the Under-Voltage protection [Lo U] will shut down the engine. |
| [P.7] | Generator Over-Voltage [500V] Range: 110-550V or [inh.]. If the Generator voltage rises above the [setting] for at least 2 seconds, the EP6 will energize the over voltage protection [Hi U] (see section 4.0) to stop the engine. The [inh.] code inhibits the over voltage. |
| [P.8] | Generator Under-Frequency [Inh.] [inh.] 1 to 99Hz ([inh]=disables the under frequency) This protection is delayed by about 6 seconds. The EP6 shuts down the engine and the display will show the [Lo H] message. |
| [P.9] | Generator Over-Frequency [55] 45 Hz to [inh.] ([inh.] disables the over frequency) This protection is delayed by about 2 seconds. The EP6 shuts down the engine and displays [Hi H] |
| [P.10] | Current Transformer Size [...] The range is 10/5 up to 1000/5 |
| [P.11] | Generator Overload Setting [inh.] Range: [inh.] to 1000 A The EP6 shuts down the engine after a delay of 6 secs and shows the message [E05]. |
| [P.12][OFF] | Generator Failure Alarm selection: [on] or [OFF]. The code [on] enables the <i>Generator</i> failure alarm. The EP6 shows the [E04] message and the engine will shut down. |
| [P.13] | Glow Plugs/Choke Control (Output #11) [5"] Range: 1 to 99 secs. The EP6 energizes the output #11 for the programmed time. |
| [P.14] | Output Control [0] The following options are available: [0] None [1] Choke Control [2] Glow Plugs Control [3] Choke Control |
| [P.15] | Belt Break Control [ON] Selection: [on] or [OFF]. The Belt Break alarm is indicated by means of the message [bELt] |

- [P.16] **Stop Solenoid Timing [2"]**
Range: 2-99 secs. Duration of the Stop cycle.
- [P.17] **Alarm Output Timing [1']**
[inh.]-59 secs 1-15 mins and [cont]. Time-out of the alarm output. The code [cont] disables the time-out, and the alarm remains energized until the OFF operating mode is selected. The [inh.] mode enables the use of the external contactor
- [P.18] **Temperature Switch [n.o.]**
Selection: [n.o.] or [n.c.]
[n.o.] the engine shuts down if the contact closes
[n.c.] the engine shuts down if the contact opens
- [P.19] **ALARM Control [n.c.]**
Selection: [n.o.] or [n.c.]
[n.o.] the engine shuts down if the contact closes
[n.c.] the engine shuts down if the contact opens
- [P.20] **Remote Start [n.o.]**
Selection: [n.o.] or [n.c.]
[n.o.] the engine starts if the contact closes
[n.c.] the engine starts if the contact opens
- [P.21] **Under Speed setting [Inh.]**
[Inh.] or 100-4000 r.p.m..The [Inh.] code disables the Under Speed shut down.
- [P.22] **Over Speed setting [Inh.]**
100-4000 rpm or [Inh.]. The EP6 provides one second bypass delay. The [Inh.] code (>4000 r.p.m.) disables the Over Speed shut down.
- [P.23] **Number of Teeth of the Flywheel [Inh.]**
[Inh.] or 1-500 teeth.
The [Inh.] code disables the reading of the Speed (section 3.0), the Over/Under Speed alarms, and the Crank termination (see [P.24]).
- [P.24] **Crank OFF [Inh.]**
Crank Termination setting: 100-800 rpm
If the speed rises above the setting, the EP6 terminates the crank cycle. One second delay avoids false termination. The code [Inh.] inhibits the crank termination
- [P.25] **Low Oil Pressure Alarm By-Pass [6"]**
Range: 0-99 secs. By-Pass Delay to ignore the Oil Pressure (input #3) during the engine starting cycle. This input requires normally closed contact
- [P.26] **Automatic Periodic Test Cycle [inh.]**
Range: [inh.], 1-99 days
This is the interval time between the automatic periodic tests of the engine. The code [inh.] disables the Automatic Periodic Test (see section 19.0)
- [P.27] **Automatic Engine Test Duration [5']**
Range: 1-99 minutes.
This is the duration of the automatic engine test.
- [P.28] **Generator warm-up timing [20"]**
Range [inh.] 1-59 secs or 1-15 mins ([inh.]=No warm-up)
Active only when [P17]= [inh.] and the ALARM output is used to drive the contactor
- [P.29] **Generator cooling timing [30"]**
Range [inh.] 1-59 secs or 1-15 mins ([inh.]=No cooling)
Active only when [P17]= [inh.] and the ALARM output is used to drive the GEN-SET contactor

7.0 REMOTE START

The EP6 features REMOTE START only in AUTO operating mode.

To operate the REMOTE START, follow the instructions.

- A) - Turn the KEY-SWITCH to the ON position; the Display and LEDs illuminate for 1 sec.
- B) - Wait until the end of the LEDs test.
- C) - Push the AUTO pushbutton as soon as possible (otherwise, after 20 seconds the EP6 enters the STARTING FAILURE); the [AUTO] yellow LED will illuminate as described in the next section

7.1 - REMOTE START SWITCH:

If the REMOTE START input is activated, the [AUTO] yellow LED illuminates continuously and the display will indicate the count down of the internal **start delay** timer by means of the message [MM.SS] (Minutes and seconds). The engine will start after the programmed **start delay** time. If the REMOTE START is deactivated, the EP6 drives the **stop delay time**. The display will indicate the count down by means of the message [MM.SS] (Minutes and seconds), and the [AUTO] yellow LED will flash. The engine will stop after the programmed **stop delay** time.

Note start delay time: see section 6.0 parameter [P.0]

Note stop delay time: see section 6.0 parameter [P.1]

8.0 SAFETY

NOTE

High voltage is present inside the EP6. To avoid electric-shock hazard, operating personnel must not remove the protective cover. Do not disconnect the grounding connection. Any interruption of the grounding connection can create an electric shock hazard. Before making external connections, always ground the PANEL first by connecting the control panel to ground.

9.0 Automatic periodic TEST

The EP6 does not use a clock to count the programmed days ([P.26] setting, section 6.0). The maximum error and drift of the counter is +/-0,5%. The user may experiment with shifting the periodic tests. To avoid error accumulation, and in case your unit is programmed to allow Automatic Periodic

Test, we recommend the following procedures.

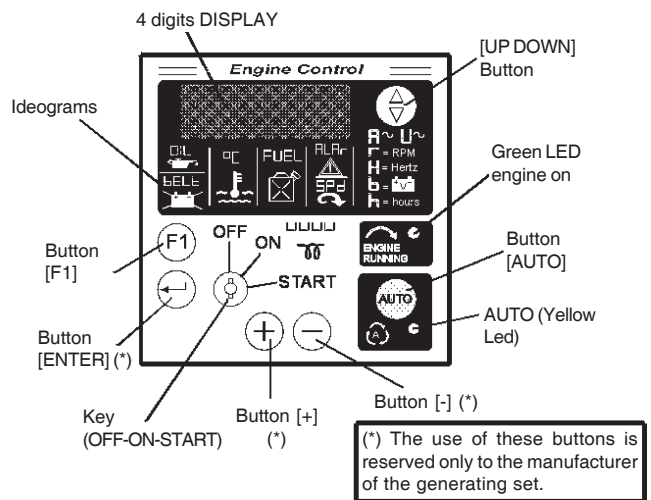
- disconnect the power supply of the EP6 (*consult your genset supplier*)
- wait for the desired start time (external clock reference)
- apply the power supply to the EP6 (*consult your genset supplier*)
- select the 'AUTO' operating mode

The EP6 will start the engine after the programmed number of days and the engine will run for the programmed time. To determine how the Automatic Periodic Test is programmed enter the Reading Mode (section 6.0 parameter [P.26] and [P.27]).

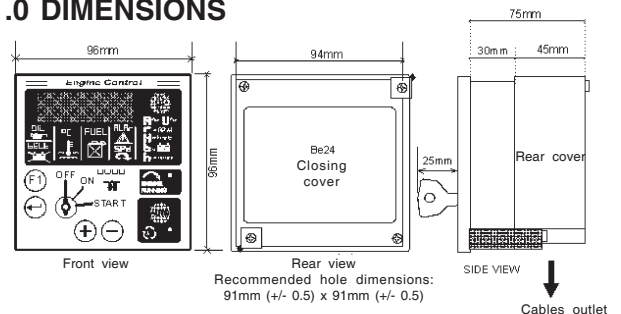
IMPORTANT NOTES

If the supply (battery voltage) is removed, the EP6 loses the counts and timings. If the supply restores, the EP6 starts to count the A.P.T. according to the programmed parameters [P.26] and [P.27]. It is important to synchronize the power on sequence with the desired Automatic Periodic Test.

10.0 FRONT PANEL



11.0 DIMENSIONS



| Problem | Possible cause | Solution |
|--|---|--|
| ENGINE | | |
| The motor does not start up | 1) Start-up switch (I6) (where it is assembled) in incorrect position 2) Emergency button (L5) pressed 3) Preheating (where it is assembled) 4) Engine control unit or starting key faulty. 5) Battery low 6) Battery cable terminals loose or corroded 7) Start-up motor defective 8) No fuel or air in feed circuit 9) Malfunction on feed circuit: defective pump, injector blocked, etc. 10) Air filter or fuel filter clogged 11) Air in the gasoil filter. 12) Motor stopping device defective 13) Malfunction on electrical power circuit on generator control panel | 1) Check position 2) Unblock 3) Lacking or insufficient preheating phase for sparkplugs. Malfunction in circuit: repair. 4) Replace 5) Recharge or replace. Check the battery charge circuit on motor and automatic panel. 6) Tighten and clean. Replace if corroded. 7) Repair or replace. 8) Refill tank, un-aerate the circuit. 9) Ask for intervention of Service Department. 10) Clean or replace 11) Take the air out filling the filter with gasoil. 12) Replace. 13) Check and repair. |
| The motor does not accelerate. Inconstant speed. | 1) Air filter or fuel filter clogged. 2) Malfunction on feed circuit: defective pump, injector blocked, etc. 3) Oil level too high. 4) Motor speed regulator defective. | 1) Clean or replace. 2) Ask for intervention of Service Department. 3) Eliminate excess oil. 4) Ask for intervention of Service Department |
| Black smoke | 1) Air filter clogged. 2) Overload. 3) Injectors defective. Injection pump requires calibration. | 1) Clean or replace 2) Check the load connected and diminish. 3) Ask for intervention of Service Department. |
| White smoke | 1) Oil level too high. 2) Motor cold or in prolonged operation with little or no load. 3) Segments and/or cylinders worn out. | 1) Eliminate excess oil. 2) Insert load only with motor sufficiently hot 3) Ask for intervention of Service Department. |
| Too little power provided by motor. | 1) Air filter clogged. 2) Insufficient fuel distribution, impurities or water in feed circuit. 3) Injectors dirty or defective. | 1) Clean or replace. 2) Check the feed circuit, clean and refill once again. 3) Ask for intervention of Service Department. |
| Low oil pressure | 1) Oil level insufficient 2) Air filter clogged. 3) Oil pump defective. 4) Alarm malfunction. | 1) Reset level. Check for leaks. 2) Replace filter. 3) Ask for intervention of Service Department. 4) Check the sensor and electrical circuit. |
| High temperature | 1) Overload 2) Insufficient ventilation. 3) Insufficient coolant liquid (Only for water cooled motors) | 1) Check the load connected and diminish. 2) Check the cooling vent and relative transmission belts 3) Restore level. Check for leaks or breakage in the entire cooling circuit, pipes, couplings, etc. |

| Problem | Possible cause | Solution |
|---|---|---|
| ENGINE | | |
| | 4) Water radiator or oil clogged (where it is assembled) 5) Water circulating pump defective (Only for water cooled motors) 6) Injectors defective. Injection pump requires calibration 7) Alarm malfunction | 4) Clean cooling fins on radiator 5) Ask for intervention of Service Department 6) Ask for intervention of Service Department 7) Check the sensor and electrical circuit |
| GENERATOR | | |
| Absence of output voltage | 1) Voltage switch in position 0 2) Voltage switch faulty 3) Protection tripped due to overload 4) Differential protection device tripped. (Differential switch, differential relay) 5) Protection devices defective 6) Alternator not sparked 7) Alternator defective | 1) Check position 2) Check connections and working of the switch, repair or replace 3) Check the load connected and diminish 4) Check on the entire installation: cables, connections, utilities connected have no defective sheathing which may cause incorrect currents to ground 5) Replace 6) Carry out external spark test as indicated in alternator manual. Ask for intervention of Service Department 7) Check winding, diodes, etc. on alternator (Refer to alternator manual) Repair or replace. Ask for intervention of Service Department |
| No-load voltage too low or too high | 1) Incorrect motor running speed 2) Voltage regulating device (where it is assembled) defective or requires calibration 3) Alternator defective | 1) Regulate speed to its nominal no-load value 2) Adjust regulator device as indicated in alternator manual, or replace 3) Check winding, diodes, etc. on alternator (Refer to alternator manual) Repair or replace Ask for intervention of Service Department |
| Corrected no-load voltage too low with load | 1) Incorrect motor running speed due to overload 2) Load with $\cos \varphi$ less than 0.8 3) Alternator defective | 1) Check the load connected and diminish 2) Reduce or rephase load 3) Check winding, diodes, etc. on alternator (Refer to alternator manual) Repair or replace Ask for intervention of Service Department |
| Unstable tension | 1) Contacts malfunctioning 2) Irregular rotation of motor 3) Alternator defective | 1) Check electrical connections and tighten 2) Ask for intervention of Service Department 3) Check winding, diodes, etc. on alternator (Refer to alternator manual) Repair or replace Ask for intervention of Service Department |



WARNING



MOVING PARTS can injure

- Have **qualified** personnel do maintenance and troubleshooting work.
 - Stop the engine before doing any work inside the machine. If for any reason the machine must be operated while working inside, **pay attention** moving parts, hot parts (exhaust manifold and muffler, etc.) electrical parts which may be unprotected when the machine is open.
 - Remove guards only when necessary to perform maintenance, and replace them when the maintenance requiring their removal is complete.
 - Use suitable tools and clothes.
 - Do not modify the components if not authorized.
- See pag. M1.1 -



HOT surface can hurt you

NOTE

By maintenance at care of the utilizer we intend all the operatios concerning the verification of mechanical parts, electrical parts and of the fluids subject to use or consumption during the normal operation of the machine.

For what concerns the fluids we must consider as maintenance even the periodical change and or the refills eventually necessary.

Maintenance operations also include machine cleaning operations when carried out on a periodic basis outside of the normal work cycle.

The repairs **cannot be considered** among the maintenance activities, i.e. the replacement of parts subject to occasional damages and the replacement of electric and mechanic components consumed in normal use, by the Assistance Authorized Center as well as by MOSA.

The replacement of tires (for machines equipped with trolleys) must be considered as repair since it is not delivered as standard equipment any lifting system.

The periodic maintenance should be performed according to the schedule shown in the engine manual. An optional hour counter (M) is available to simplify the determination of the working hours.

ENGINE and ALTERNATOR

PLEASE REFER TO THE SPECIFIC MANUALS PROVIDED.

VENTILATION

Make certain there are no obstructions (rags, leaves or other) in the air inlet and outlet openings on the machine, alternator and motor.

ELECTRICAL PANELS

Check condition of cables and connections daily. Clean periodically using a vacuum cleaner, **DO NOT USE COMPRESSED AIR.**

DECALS AND LABELS

All warning and decals should be checked once a year and **replaced** if missing or unreadable.

STRENUOUS OPERATING CONDITIONS

Under extreme operating conditions (frequent stops and starts, dusty environment, cold weather, extended periods of no load operation, fuel with over 0.5% sulphur content) do maintenance more frequently.

BATTERY WITHOUT MAINTENANCE DO NOT OPEN THE BATTERY

The battery is charged automatically from the battery charger circuit supplied with the engine.

Check the state of the battery from the colour of the warning light which is in the upper part.

- Green colour: battery OK
- Black colour: battery to be recharged
- White colour: battery to be replaced



IMPORTANT



In the maintenance operations avoid that polluting substances, liquids, exhausted oils, etc. bring damage to people or things or can cause negative effects to surroundings, health or safety respecting completely the laws and/ or dispositions in force in the place.



NOTE

THE ENGINE PROTECTION NOT WORK WHEN THE OIL IS OF LOW QUALITY BECAUSE NOT CHARGED REGULARLY AT INTERVALS AS PRESCRIBED IN THE OWNER'S ENGINE MANUAL.






ATTENTION

- Maintenance operations on the electricity-generating group prearranged for automatic operation must be carried out with the panel in RESET mode.
- Maintenance operations on the installation's electrical panels must be carried out in complete safety by cutting off all external power sources: ELECTRICAL POWER, GROUP and BATTERY.


For the electricity-generating groups prearranged for automatic operation, in addition to carrying out all periodic maintenance operations foreseen for normal usage, various operations must be carried out that are necessary in relation to the specific type of use. The electricity-generating group in fact must be continuously prepared for operation, even after prolonged periods of inactivity.

MAINTENANCE GENERATING SET WITH AUTOMATIC BOARD

|  | EVERY WEEK | EVERY MONTH AND/OR AFTER INTERVENTION ON LOAD | EVERY YEAR |
|--|--------------|---|------------|
| 1. TEST or AUTOMATIC TEST cycle to keep the generating set constantly operative | NO-LOAD X | WITH LOAD X | |
| 2. Check all levels: engine oil, fuel level, battery electrolyte,, if necessary top it up. | X | X | |
| 3. Control of electrical connections and cleaning of control panel | | X | X |

👉 Carry out motor oil change at least once a year, even if the requested number of hours has not been attained.

In case the machine should not be used for more than 30 days, make sure that the room in which it is stored presents a suitable shelter from heat sources, weather changes or anything which can cause rust, corrosion or damages to the machine.

 Have **qualified** personnel prepare the machine for storage.

GASOLINE ENGINE

Start the engine: It will run until it stops due to the lack of fuel.

Drain the oil from the engine sump and fill it with new oil (see page M25).

Pour about 10 cc of oil into the spark plug hole and screw the spark plug, after having rotated the crankshaft several times.

Rotate the crankshaft slowly until you feel a certain compression, then leave it.

In case the battery, for the electric start, is assembled, disconnect it.

Clean the covers and all the other parts of the machine carefully.

Protect the machine with a plastic hood and store it in a dry place.

DIESEL ENGINE

For short periods of time it is advisable, about every 10 days, to make the machine work with load for 15-30 minutes, for a correct distribution of the lubricant, to recharge the battery and to prevent any possible bloking of the injection system.

For long periods of inactivity, turn to the after sales service of the engine manufacturer.

Clean the covers and all the other parts of the machine carefully.

Protect the machine with a plastic hood and store it in a dry place.

In case of necessity for first aid and of fire prevention, see page. M2.5.



IMPORTANT



In the storage operations avoid that polluting substances, liquids, exhausted oils, etc. bring damage to people or things or can cause negative effects to surroundings, health or safety respecting completely the laws and/or dispositions in force in the place.



Have **qualified** personnel disassemble the machine and dispose of the parts, including the oil, fuel, etc., in a correct manner when it is to be taken out of service.

As cust off we intend all operations to be made, at utilizer's care, at the end of the use of the machine. This comprises the dismantling of the machine, the subdivision of the several components for a further reutilization or for getting rid of them, the eventual packing and transportation of the eliminated parts up to their delivery to the store, or to the bureau encharged to the cust off or to the storage office, etc.

The several operations concerning the cust off, involve the manipulation of fluids potentially dangerous such as: lubricating oil and battery electrolyte.

The dismantling of metallic parts liable to cause injuries or wounds, must be made wearing heavy gloves and using suitable tools.

The getting rid of the various components of the machine must be made accordingly to rules in force of law a/o local rules.

Particular attention must be paid when getting rid of:

lubricating oils, battery electrolyte, and inflammable liquids such as fuel, cooling liquid.

The machine user is responsible for the observance of the norms concerning the environment conditions with regard to the elimination of the machine being cust off and of all its components.

In case the machine should be cust off without any previous disassembly it is however compulsory to remove:

- tank fuel
- engine lubricating oil
- cooling liquid from the engine
- battery

NOTE: MOSA is involved with custing off the machine **only** for the second hand ones, when not reparable.

This, of course, after authorization.

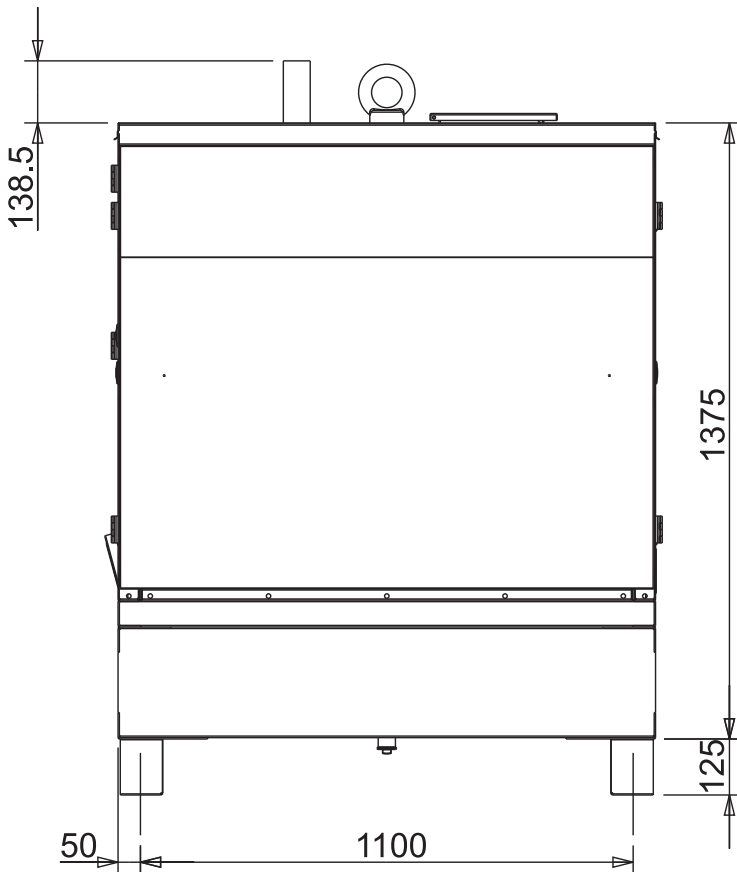
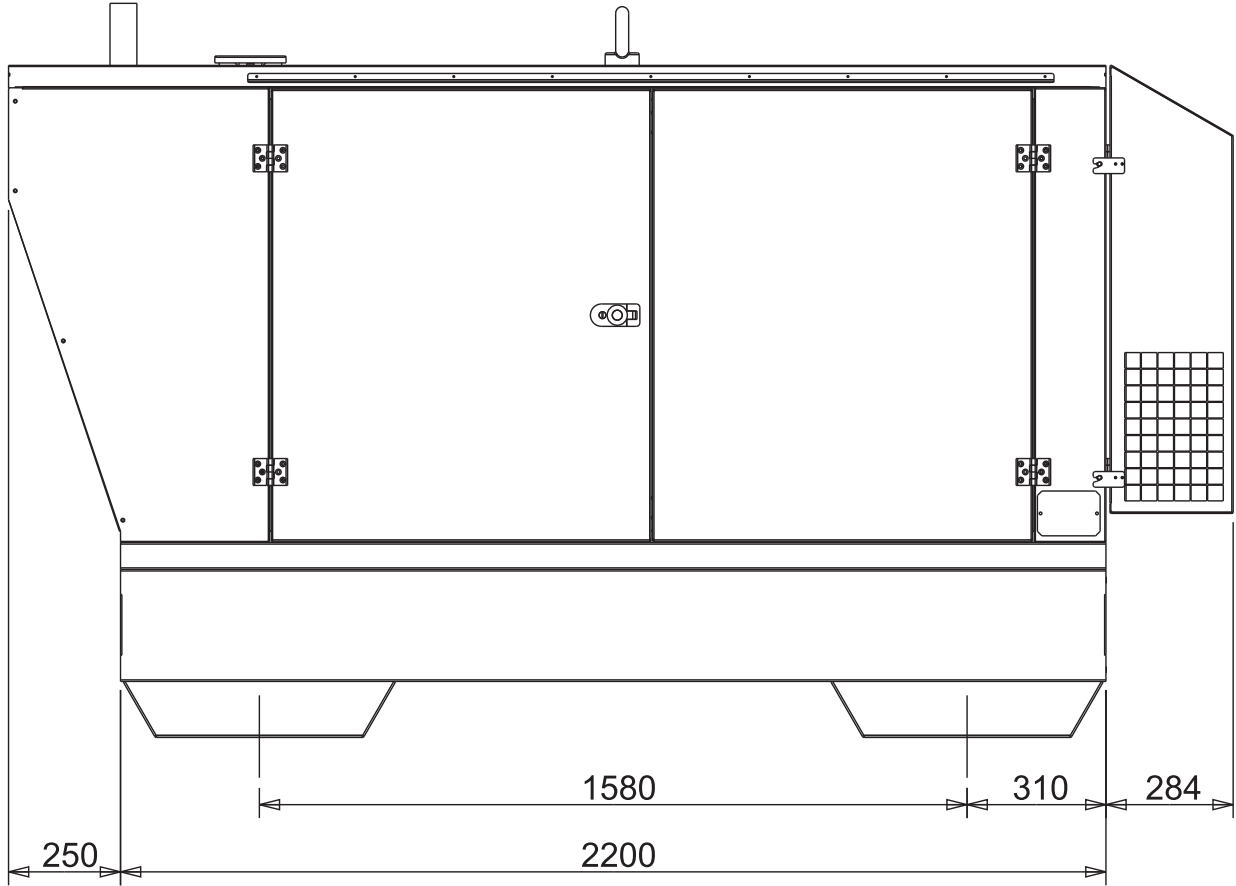
In case of necessity for first aid and fire prevention, see page M2.5.

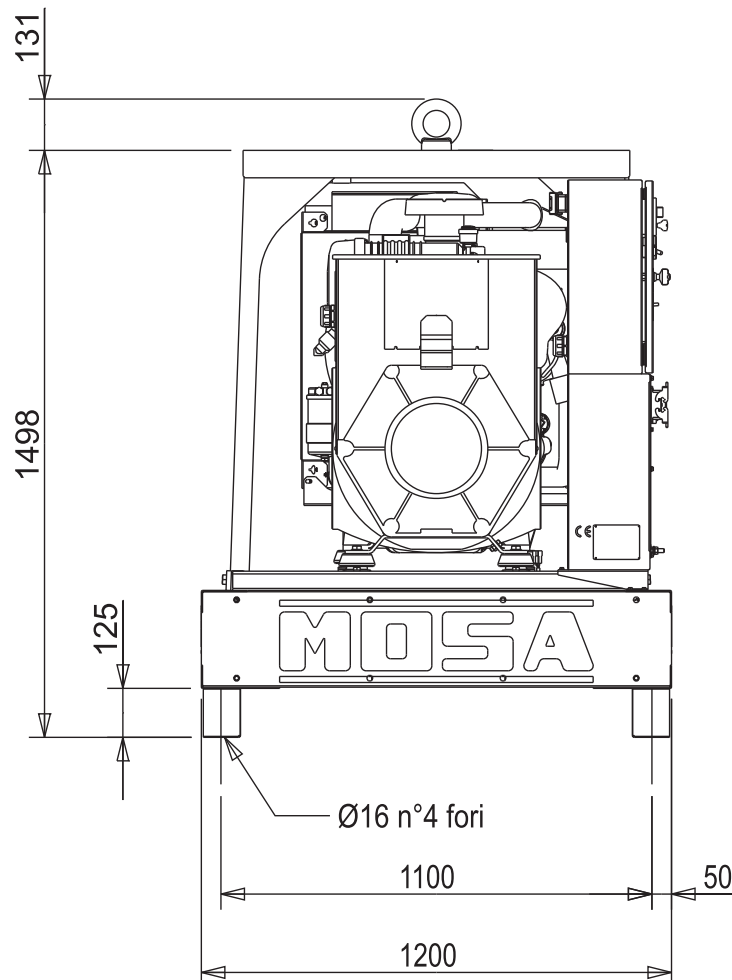
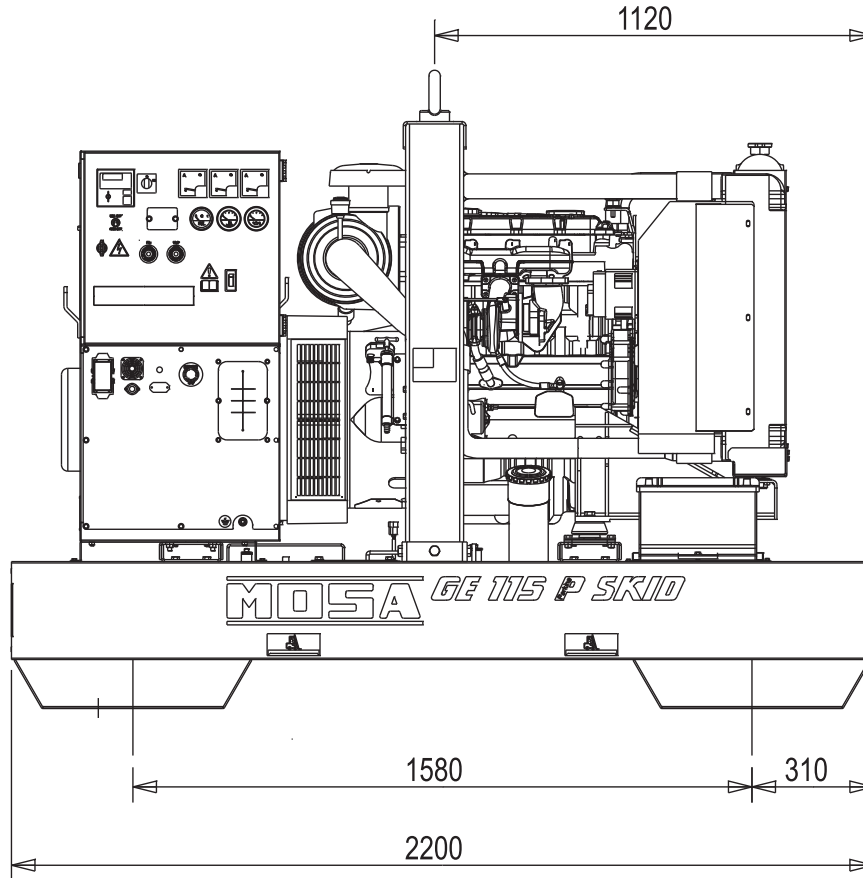


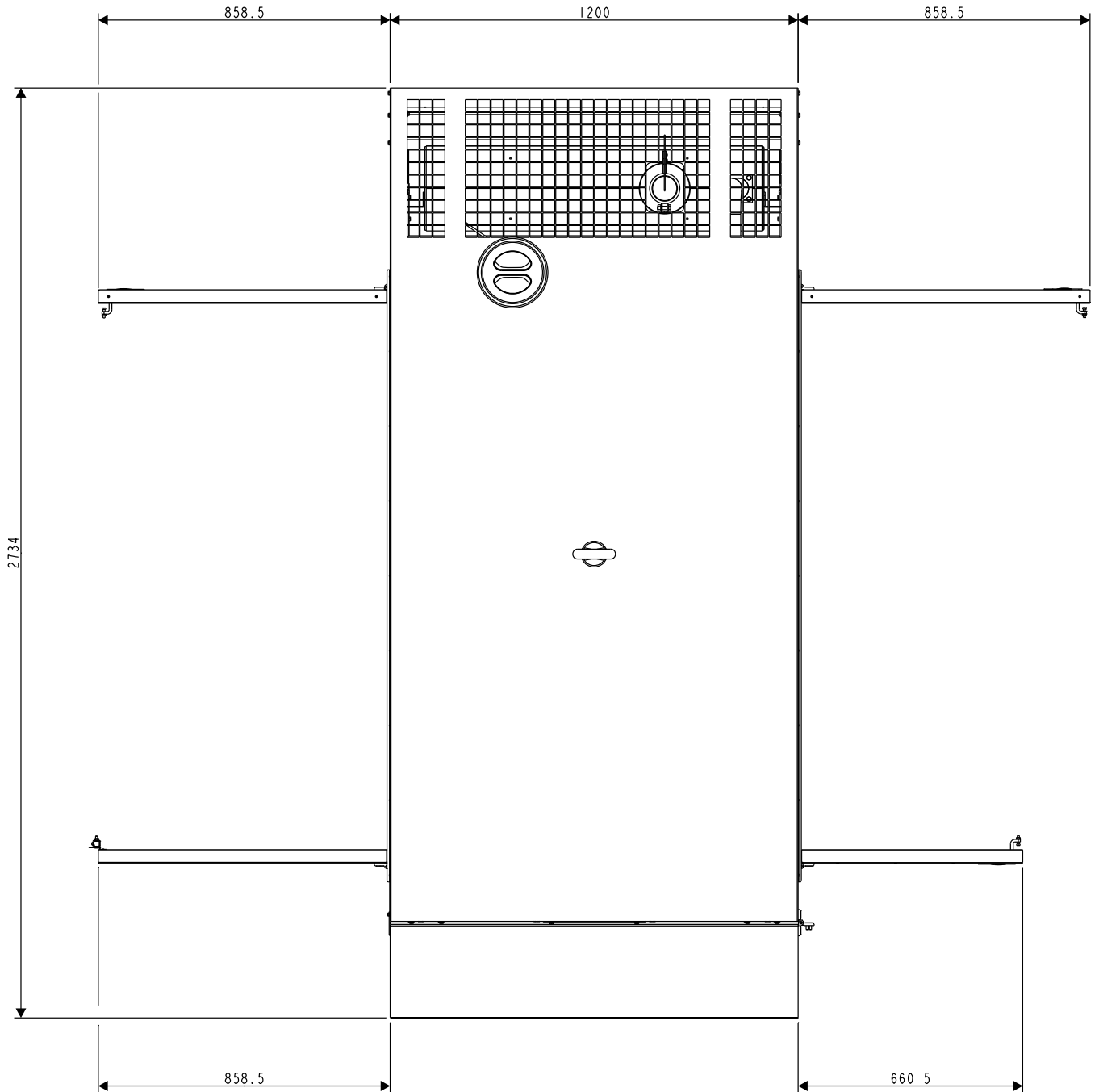
IMPORTANT



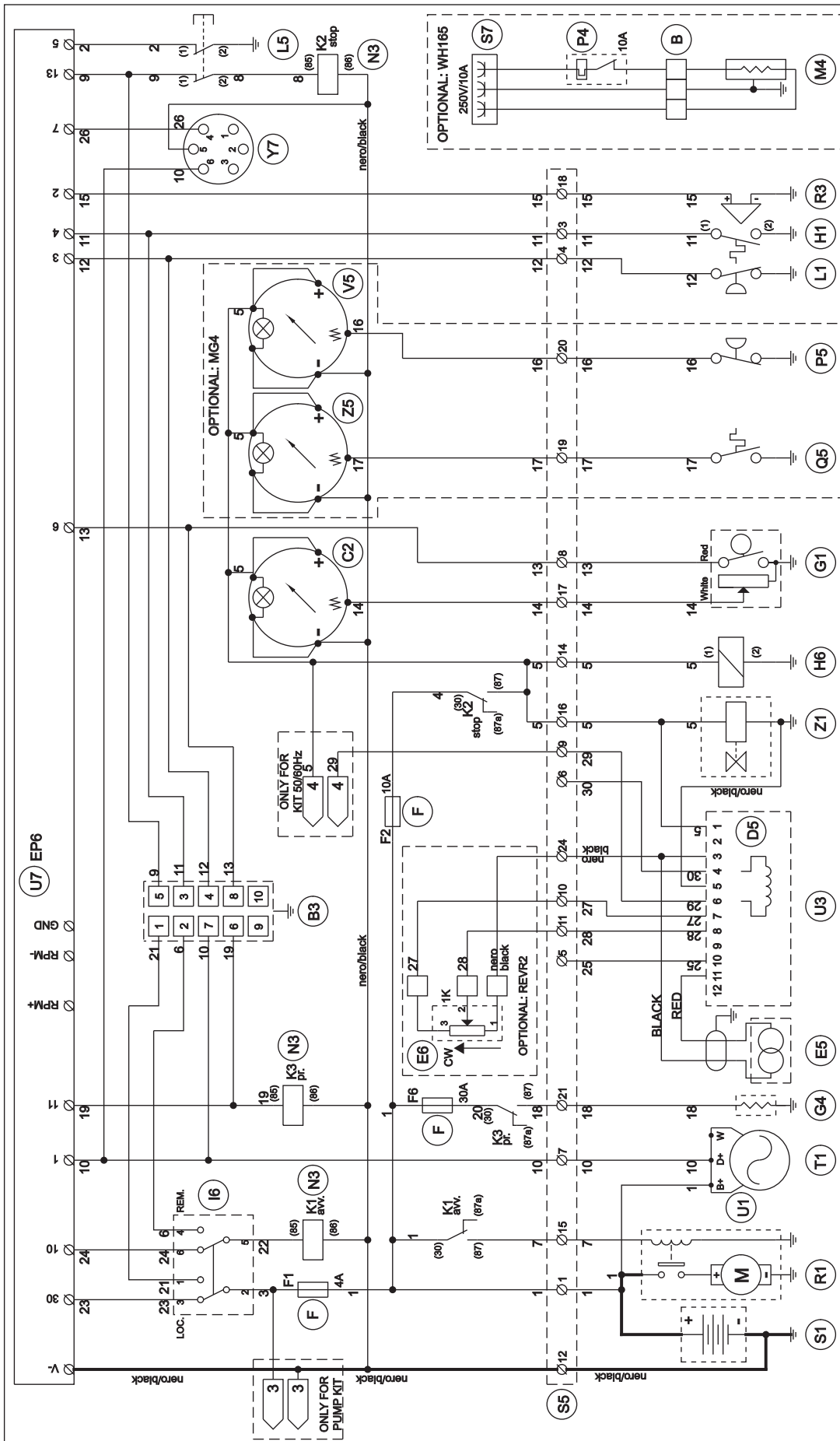
In the cust-off operations avoid that polluting substances, liquids, exhausted oils, etc. bring damage to people or things or can cause negative effects to surroundings, health or safety respecting completely the laws and/or dispositions in force in the place.





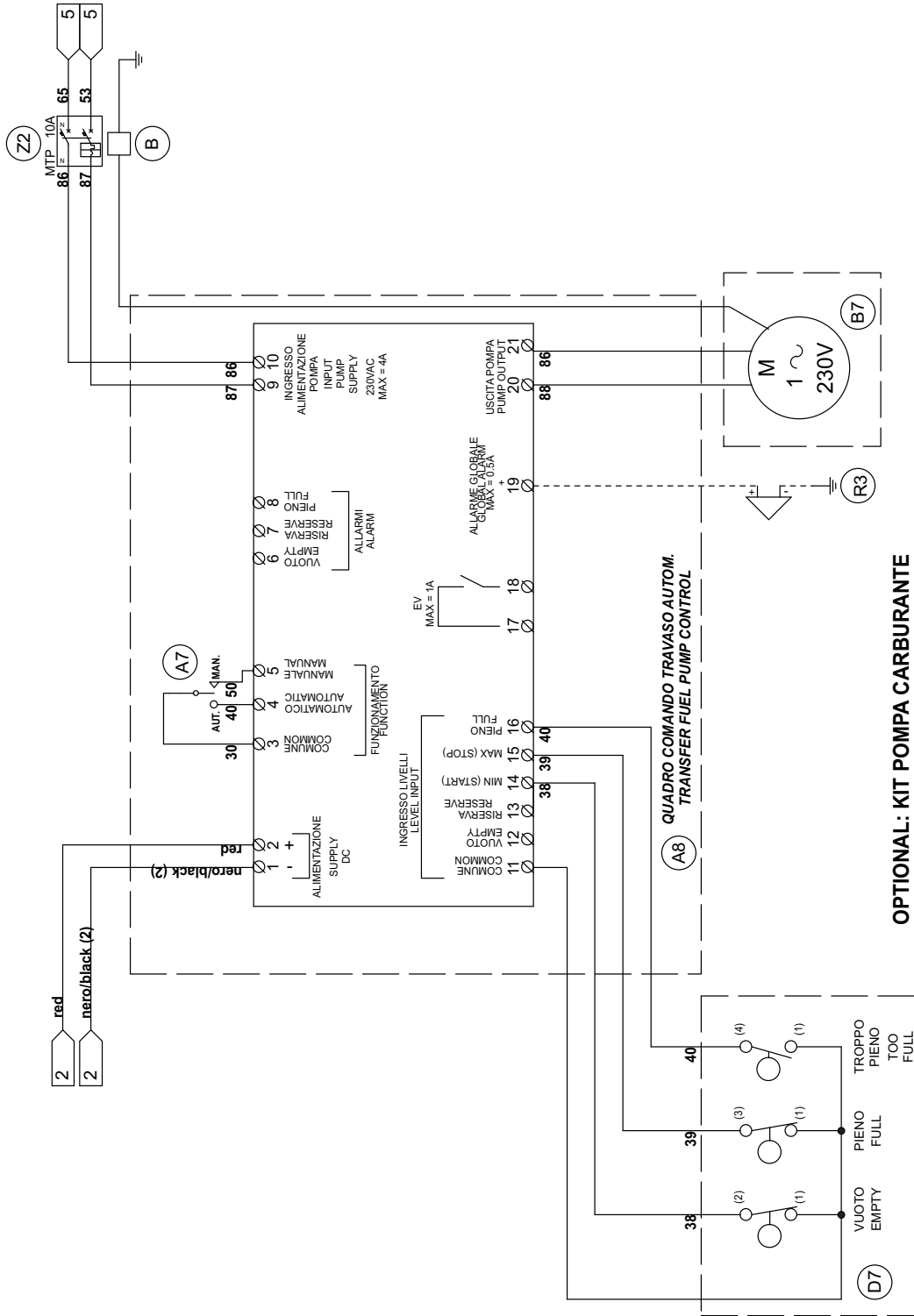


| | | |
|--|---|---|
| A: Alternator | A3: Insulation monitoring | A6: Commutator/switch |
| B: Wire connection unit | B3: E.A.S. connector | B6: Key switch, on/off |
| C: Capacitor | C3: E.A.S. PCB | C6: QEA control unit |
| D: G.F.I. | D3: Booster socket | D6: Connector, PAC |
| E: Welding PCB transformer | E3: Open circuit voltage switch | E6: Frequency rpm regulator |
| F: Fuse | F3: Stop push-button | F6: Arc-Force selector |
| G: 400V 3-phase socket | G3: Ignition coil | G6: Device starting motor |
| H: 230V 1phase socket | H3: Spark plug | H6: Fuel electro pump 12V c.c. |
| I: 110V 1-phase socket | I3: Range switch | I6: Start Local/Remote selector |
| L: Socket warning light | L3: Oil shut-down button | L6: Choke button |
| M: Hour-counter | M3: Battery charge diode | M6: Switch CC/CV |
| N: Voltmeter | N3: Relay | N6: Connector – wire feeder |
| P: Welding arc regulator | O3: Resistor | O6: 420V/110V 3-phase transformer |
| Q: 230V 3-phase socket | P3: Sparkler reactor | P6: Switch IDLE/RUN |
| R: Welding control PCB | Q3: Output power unit | Q6: Hz/V/A analogic instrument |
| S: Welding current ammeter | R3: Electric siren | R6: EMC filter |
| T: Welding current regulator | S3: E.P.4 engine protection | S6: Wire feeder supply switch |
| U: Current transformer | T3: Engine control PCB | T6: Wire feeder socket |
| V: Welding voltage voltmeter | U3: R.P.M. electronic regulator | U6: DSP chopper PCB |
| Z: Welding sockets | V3: PTO HI control PCB | V6: Power chopper supply PCB |
| X: Shunt | Z3: PTO HI 20 l/min push-button | Z6: Switch and leds PCB |
| W: D.C. inductor | W3: PTO HI 30 l/min push-button | W6: Hall sensor |
| Y: Welding diode bridge | X3: PTO HI reset push-button | X6: Water heater indicator |
| | Y3: PTO HI 20 l/min indicator | Y6: Battery charge indicator |
| A1: Arc striking resistor | A4: PTO HI 30 l/min indicator | A7: Transfer pump selector AUT-0-MAN |
| B1: Arc striking circuit | B4: PTO HI reset indicator | B7: Fuel transfer pump |
| C1: 110V D.C./48V D.C. diode bridge | C4: PTO HI 20 l/min solenoid valve | C7: „GECO“ generating set test |
| D1: E.P.1 engine protection | D4: PTO HI 30 l/min solenoid valve | D7: Flooting with level switches |
| E1: Engine stop solenoid | E4: Hydraulic oil pressure switch | E7: Voltmeter regulator |
| F1: Acceleration solenoid | F4: Hydraulic oil level gauge | F7: WELD/AUX switch |
| G1: Fuel level transmitter | G4: Preheating glow plugs | G7: Reactor, 3-phase |
| H1: Oil or water thermostat | H4: Preheating gearbox | H7: Switch disconnecter |
| I1: 48V D.C. socket | I4: Preheating indicator | I7: Solenoid stop timer |
| L1: Oil pressure switch | L4: R.C. filter | L7: "VODIA" connector |
| M1: Fuel warning light | M4: Heater with thermostat | M7: "F" EDC4 connector |
| N1: Battery charge warning light | N4: Choke solenoid | N7: OFF-ON-DIAGN. selector |
| O1: Oil pressure warning light | O4: Step relay | O7: DIAGNOSTIC push-button |
| P1: Fuse | P4: Circuit breaker | P7: DIAGNOSTIC indicator |
| Q1: Starter key | Q4: Battery charge sockets | Q7: Welding selector mode |
| R1: Starter motor | R4: Sensor, cooling liquid temperature | R7: VRD load |
| S1: Battery | S4: Sensor, air filter clogging | S7: 230V 1-phase plug |
| T1: Battery charge alternator | T4: Warning light, air filter clogging | T7: V/Hz analogic instrument |
| U1: Battery charge voltage regulator | U4: Polarity inverter remote control | U7: Engine protection EP6 |
| V1: Solenoid valve control PCBT | V4: Polarity inverter switch | V7: G.F.I. relay supply switch |
| Z1: Solenoid valve | Z4: Transformer 230/48V | Z7: Radio remote control receiver |
| W1: Remote control switch | W4: Diode bridge, polarity change | W7: Radio remote control transmitter |
| X1: Remote control and/or wire feeder socket | X4: Base current diode bridge | X7: Isometer test push-button |
| Y1: Remote control plug | Y4: PCB control unit, polarity inverter | Y7: Remote start socket |
| A2: Remote control welding regulator | A5: Base current switch | A8: Transfer fuel pump control |
| B2: E.P.2 engine protection | B5: Auxiliary push-button ON/OFF | B8: Ammeter selector switch |
| C2: Fuel level gauge | C5: Accelerator electronic control | C8: 400V/230V/115V commutator |
| D2: Ammeter | D5: Actuator | D8: 50/60 Hz switch |
| E2: Frequency meter | E5: Pick-up | E8: Cold start advance with temp. switch |
| F2: Battery charge transformer | F5: Warning light, high temperature | F8: START/STOP switch |
| G2: Battery charge PCB | G5: Commutator auxiliary power | G8: Polarity inverter two way switch |
| H2: Voltage selector switch | H5: 24V diode bridge | H8: Engine protection EP7 |
| I2: 48V a.c. socket | I5: Y/s commutator | I8: AUTOIDLE switch |
| L2: Thermal relay | L5: Emergency stop button | L8: AUTOIDLE PCB |
| M2: Contactor | M5: Engine protection EP5 | M8: A4E2 ECM engine PCB |
| N2: G.F.I. and circuit breaker | N5: Pre-heat push-button | N8: Remote emergency stop connector |
| O2: 42V EEC socket | O5: Accelerator solenoid PCB | O8: V/A digital instruments and led VRD PCB |
| P2: G.F.I. resistor | P5: Oil pressure switch | P8: Water in fuel |
| Q2: T.E.P. engine protection | Q5: Water temperature switch | Q8: |
| R2: Solenoid control PCBT | R5: Water heater | R8: |
| S2: Oil level transmitter | S5: Engine connector 24 poles | S8: |
| T2: Engine stop push-button T.C.1 | T5: Electronic GFI relais | T8: |
| U2: Engine start push-button T.C.1 | U5: Release coil, circuit breaker | U8: |
| V2: 24V c.a. socket | V5: Oil pressure indicator | V8: |
| Z2: Thermal magnetic circuit breaker | Z5: Water temperature indicator | Z8: |
| W2: S.C.R. protection unit | W5: Battery voltmeter | W8: |
| X2: Remote control socket | X5: Contactor, polarity change | X8: |
| Y2: Remote control plug | Y5: Commutator/switch, series/parallel | Y8: |



| Exp. Des. | Modifica | Data | Dis. Des. | Appr. Des. |
|-----------|-------------------------|------------|-------------|---------------|
| | Modification | Date | Project | Page n° of n° |
| | Denominazione: | 84116.prg | 84116.prg | 2 6 |
| | Da Page From Page | | | |
| | To Page | | | |
| | Macchine: | Dis. n°: | Dis. n°: | Dis. n°: |
| | 20090-CUSAGO (MI)-ITALY | 16.10.2006 | 84116.S.010 | 84116.S.010 |
| | http://www.mosa.it | Designer: | Leporace N. | Approved: |
| | | Machine: | GE 115 PSX | Approved: |

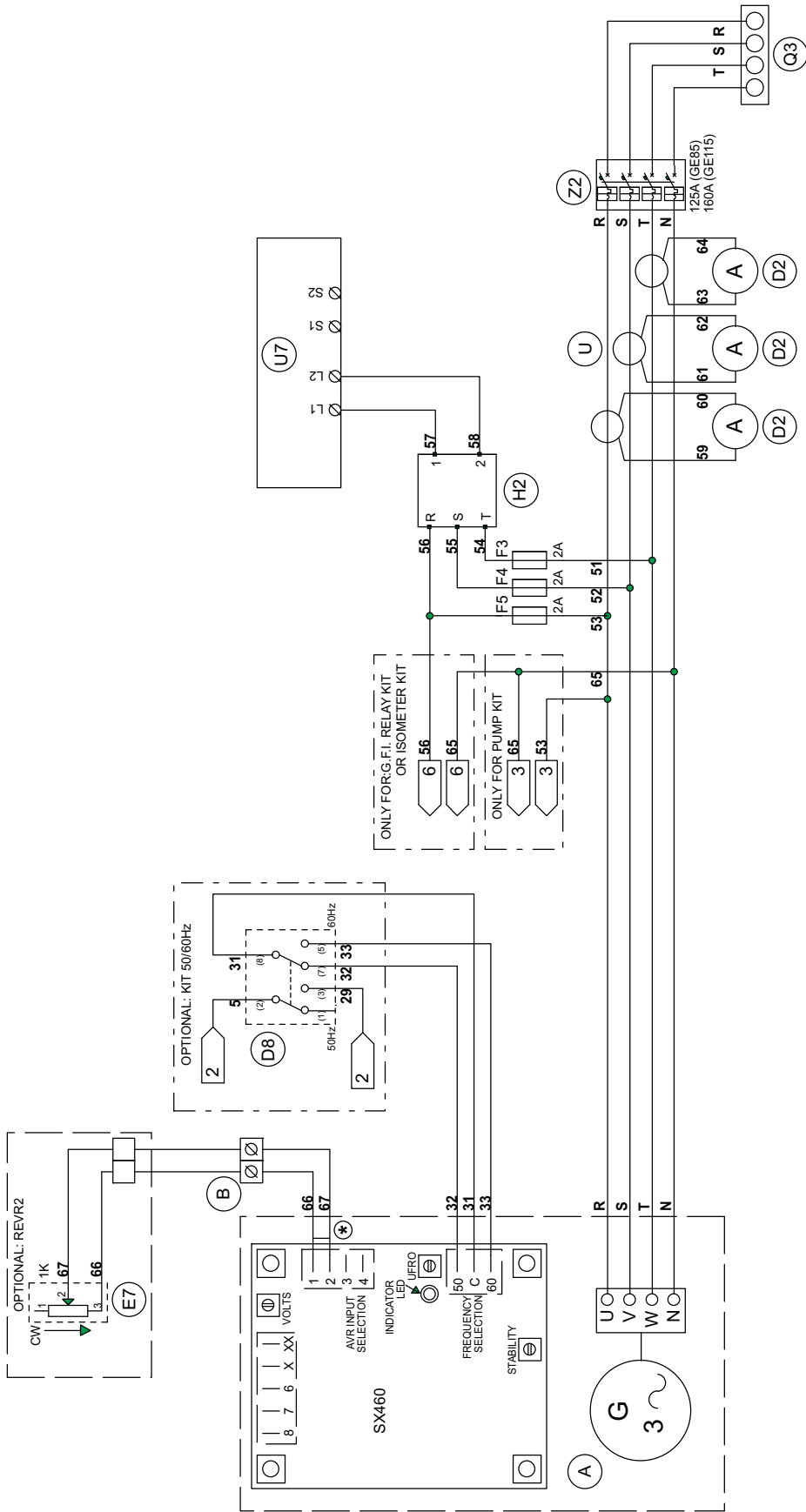
La MOSA si riserva a termini di legge la proprietà del presente disegno con divieto di riprodurlo o comunicarlo a terzi senza sua autorizzazione.



**OPTIONAL: KIT POMPA CARBURANTE
OPTIONAL: FUEL PUMP KIT**

| | | | | | | | |
|-------------------------|--|--|--|-------------|--|----------------------|--|
| Esp. Elop. | | Modificato colleg. di terra motore pompa e unificato schema con GE 85/115/165. | | 29.10.2007 | | N.L. | |
| Modifica | | Date | | Dis. Des. | | Appr. Appr. | |
| Denominazione: | | Project: | | 84.165.prg | | Page n° of n° | |
| Da Pag. From Page | | Project: | | 84.165.prg | | Page n° of n° | |
| Ala Pag. To Page | | Dis. n.° Dwg. n.° | | 16.10.2006 | | 84.116.S.015-A | |
| Macchina: Machine: | | Disegnatore: Designer: | | Leporace N. | | Approvato: Approver: | |
| 20090-CUSAGO (MI)-ITALY | | http://www.mosa.it | | GE 165 PSX | | Leporace | |

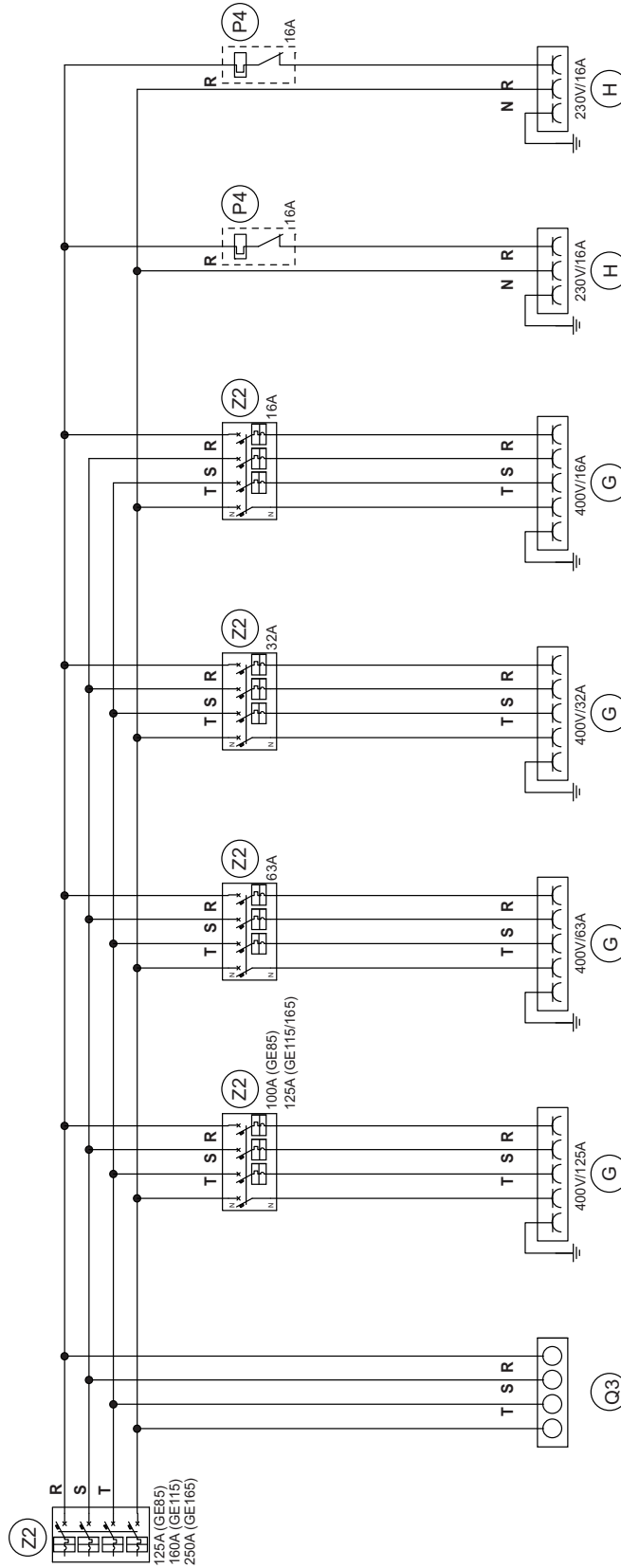
La MOSA si riserva a termini di legge la proprietà dei presente disegno con divieto di riprodurre o comunicarlo a terzi senza sua autorizzazione.



| | | | | | |
|--|----------|---------------------------------|-----------|---------------|------------|
| Esp. Eqp. | Modifica | Date | Dis. N.L. | 15.10.2007 | |
| | | | | Dis. Desi. | Appr. Apr. |
| Denominazione: Aux. (400T/230M) M | | Proprio: 84116.prg | | Pag. n° di n° | |
| Da Pag. From Page | | Project: | | Page n° of n° | |
| Alta Pag. To Page | | Dis. n° Dwg. n° | | Approvato: | |
| Macchina: GE 115 PSX | | Disegnatore: Leporace N. | | Dis. n° | |
| http://www.mosa.it | | Date: | | Dwg. n° | |
| | | Date: | | Dwg. n° | |
| | | Date: | | Dwg. n° | |

- * - TOGLIERE PONTICELLO E COLLEGARE CAVI 66-67 DEL POTENZIOMETRO
- REMOVE LINK AND CONNECT HAND TRIMMER BY CABLES 66-67

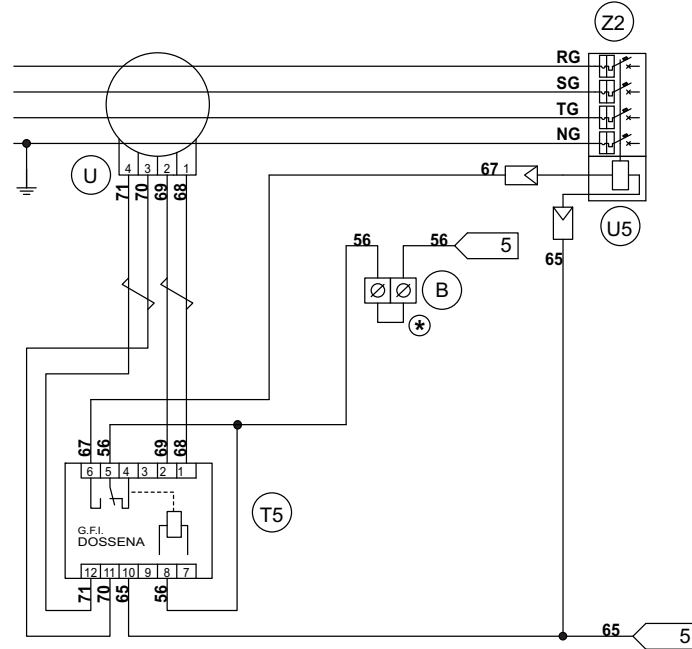
La MOSA si riserva a termini di legge la proprietà dei presente disegno con divieto di riprodurlo o comunicarlo a terzi senza sua autorizzazione.



| | | | |
|---|-------------------------------------|---|---|
| A | Unificato schema tra GE 85/115/165. | 15.10.2007 | N.L. |
| Esp. Eqp. | Modifica Modification | Data Date | Dis. Des. / Appr. Appr. |
| Da Pag. From Page: MOSA Denominazione: Denomination: Aux. version with sockets (400Tx5/230x3M) MT Alla Pag. To Page: 20090-CUSAGO (MI)-ITALY Macchina: Machine: GE 165 PSX http://www.mosa.it | | Progetto: Project: 84165.prg Disegnatore: Designer: Leporace N. Data: Date: 16.10.2006 Dis. n.°: Dwg. n.°: 84116.S.021-A | di n.° of n.°: 6 Page n.° of n.°: 9 Approvato: Approver: <i>[Signature]</i> |

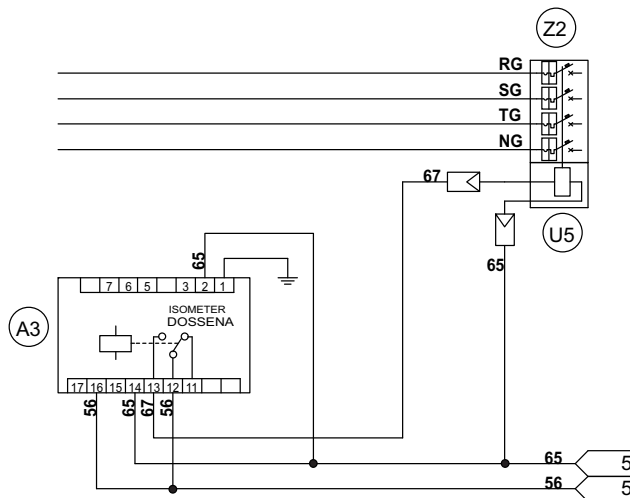
La MOSA si riserva a termini di legge la proprietà del presente disegno con divieto di riprodurlo o comunicarlo a terzi senza sua autorizzazione.

G.F.I. RELAY



(*) **ATTENZIONE:**
 Scollegare ponticello
 per disabilitare G.F.I.
ATTENTION:
 To disable G.F.I.
 disconnect jumper

ISOMETER



| | | | | | |
|--|-----------------------|--|---|---------------------------------|--|
| Esp. Exp. | Modifica Modification | | Data Date | Dis. Desi. | Appr. Appr. |
| | | Da Pag. From Page Alla Pag. To Page | Denominazione: Denomination: Electrical diagram for G.F.I. Relay or Isometer | Progetto: Project: 84165.prg | Pag. n° of n° Page n° of n° 7 of 9 |
| 20090-CUSAGO (MI)-ITALY http://www.mosa.it | | Macchina: Machine: GE 165 PSX | Disegnatore: Designer: Leporace N. | Data: Date: 16.10.2006 | Dis. n°: Dwg. n°: 84116.S.025 |
| | | | | | Approvato: Approved: |

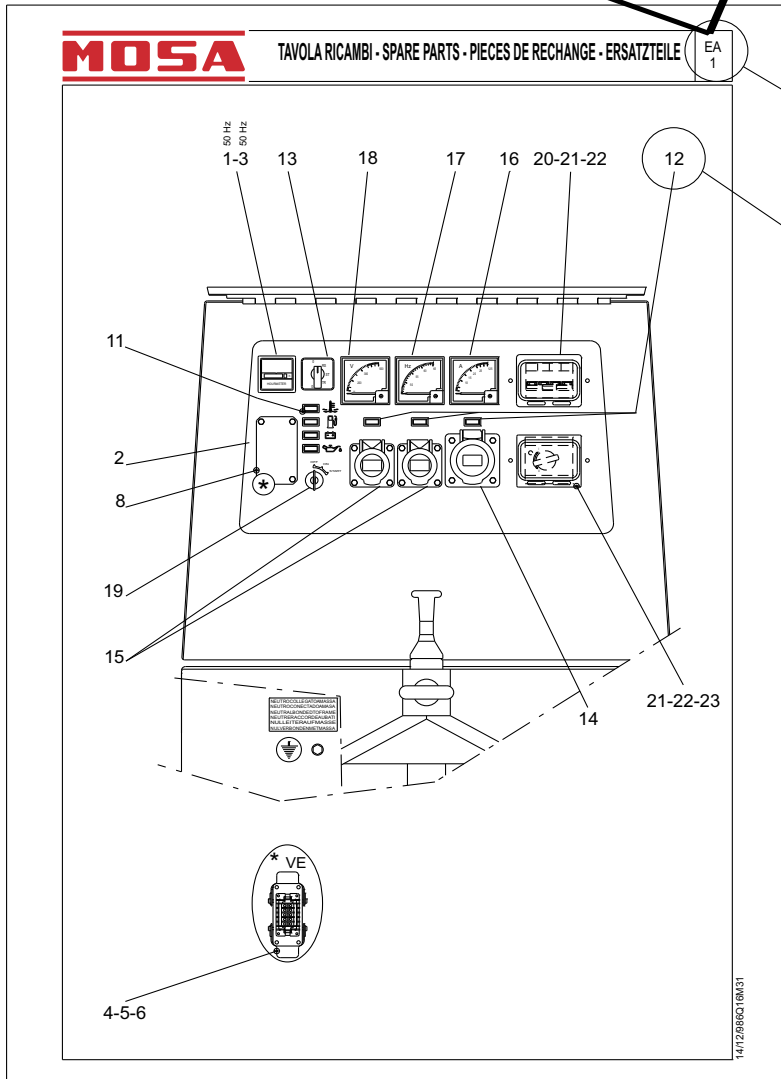
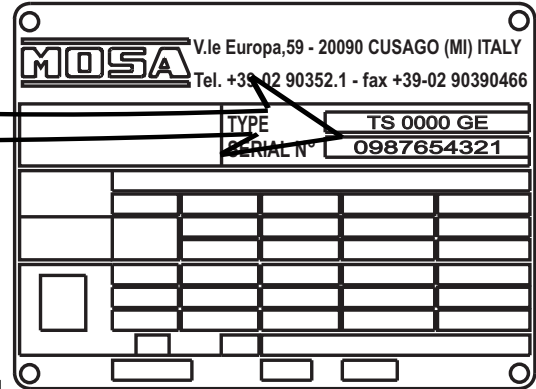
MOSA guarantees that any request for spare parts will be satisfied.

To keep the machine in full working order, when replacement of MOSA spare parts is required, always ask for genuine parts only.

The requested data are to be found on the data plate located on the machine structure, quite visible and easy to consult. *

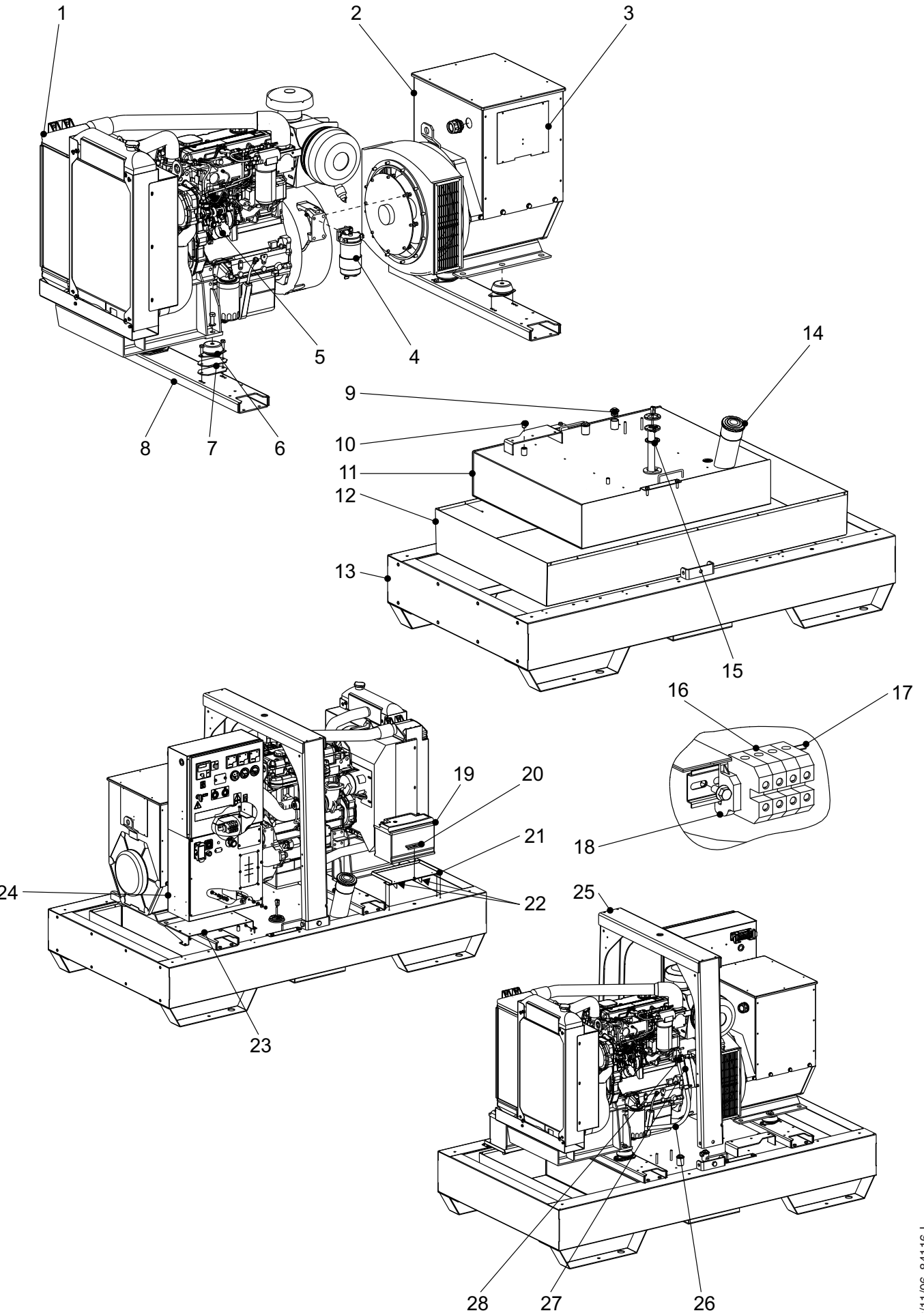
When ordering the spare parts, it is recommended to indicate:

- 1) * serial number
- 2) * model of welder and/or generating set
- 3) ◆ n. table
- 4) ◆ n. position
- 5) quantity



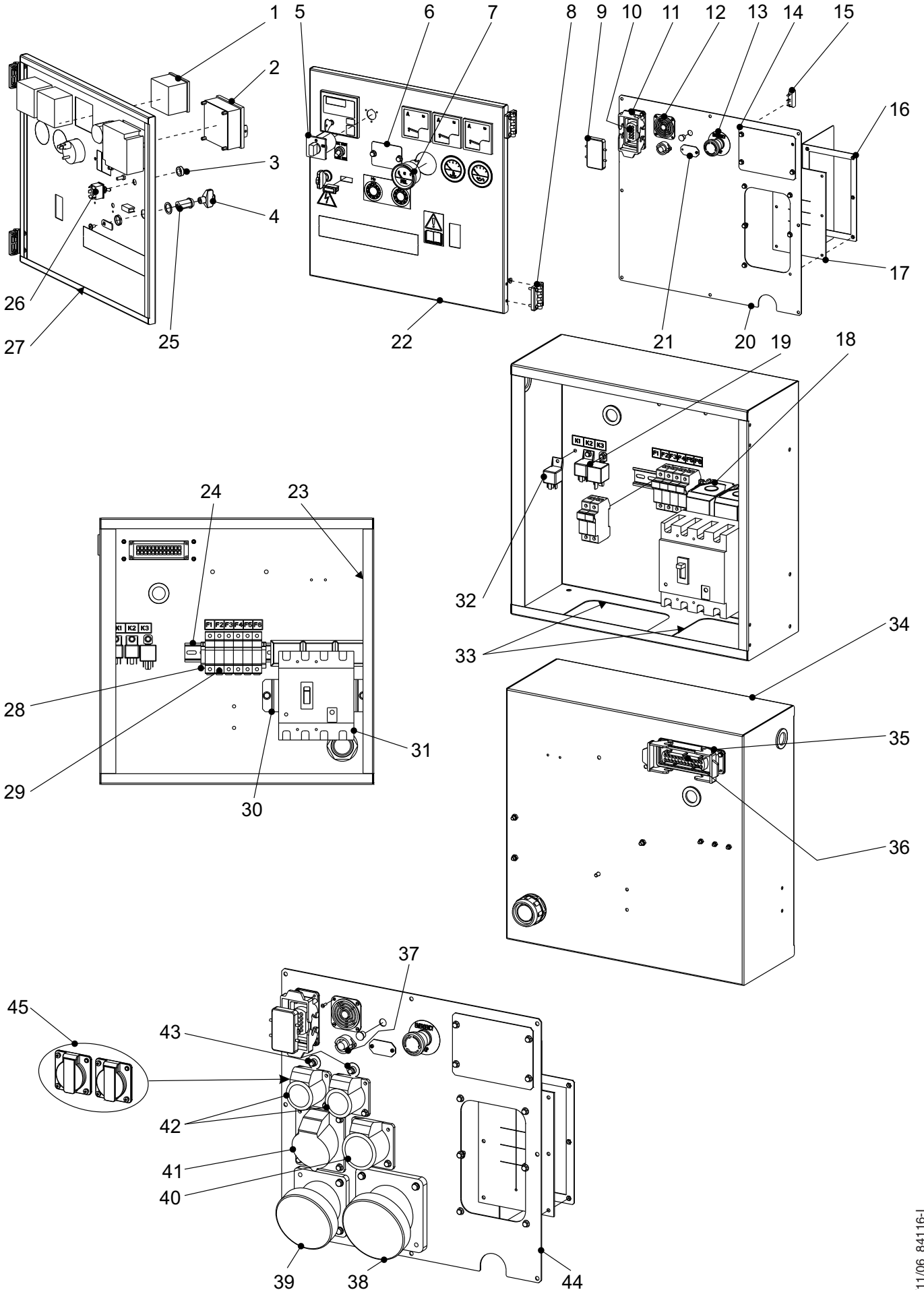
ABBREVIATIONS AND SYMBOLS:

- (EV) When ordering, specify the engine type and the auxiliary voltage
- (ER) Engine with recoil starter only
- (ES) Engine with electric starter only
- (VE) E.A.S version only.
- (QM) When ordering, specify the length in meters
- (VS) Special version only
- (SR) By request only

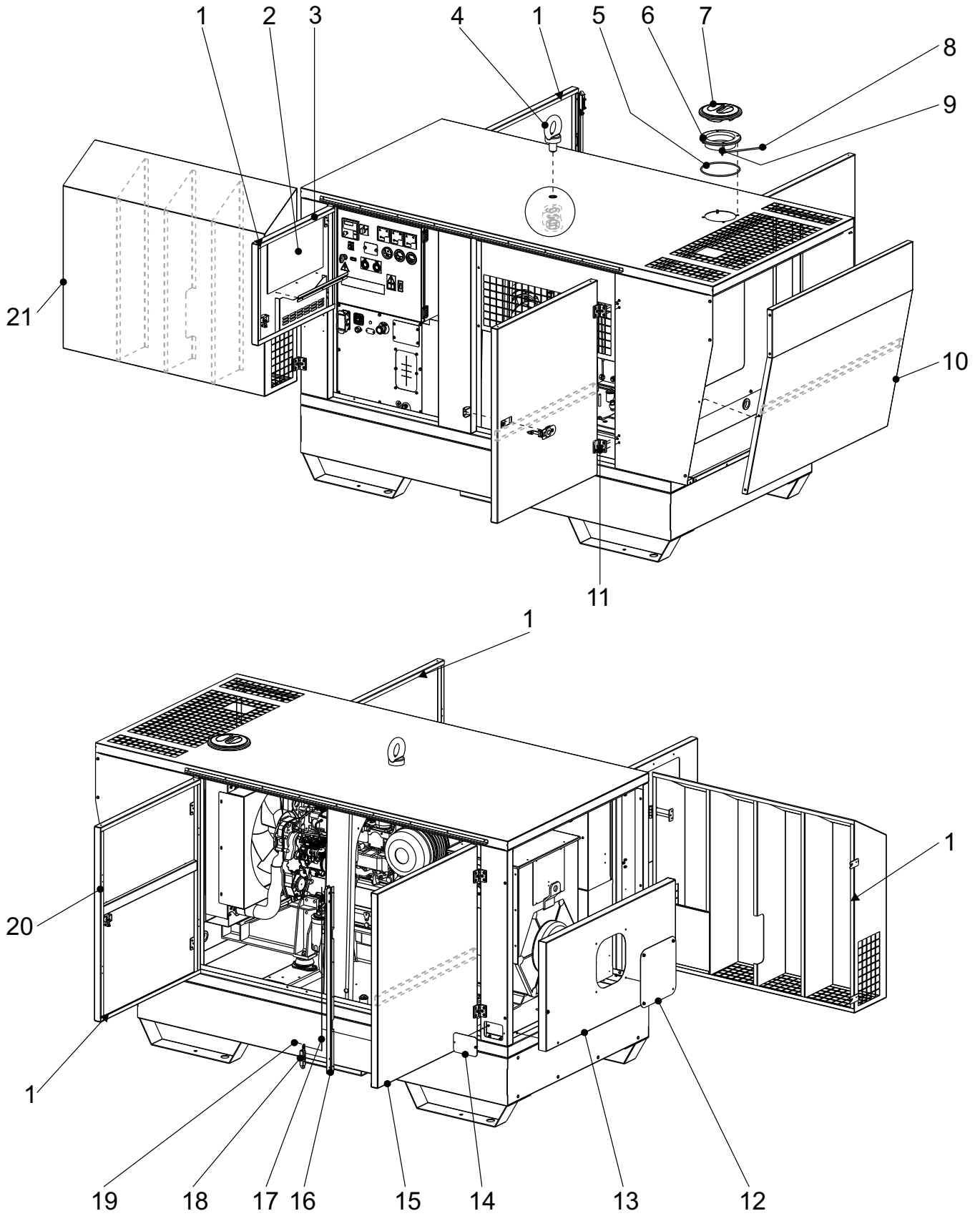


| <i>Pos.</i> | <i>Rev. Cod.</i> | <i>Descr.</i> | <i>Note</i> |
|-------------|------------------|-----------------------------------|-------------|
| 1 | 841162200 | MOTORE PERKINS 1104C-44TAG2 | |
| 2 | 841153100 | ALTERNATORE | |
| 3 | 841163024 | PANNELLO SCATOLA ALTERNATORE | |
| 4 | 841162228 | FILTRO GASOLIO | |
| 5 | 841162352 | CARICAMENTO LATERALE OLIO | |
| 6 | 105611550 | ANTIVIBRANTE | |
| 7 | 744502032 | SPESSORE 4mm | |
| 8 | 841163101 | TRAVERSA SUPPORTO ALTERNATORE | |
| 9 | 840951262 | TAPPO 1" GAS (CONICO) | |
| 10 | 842251262 | TAPPO 1/2"GAS (CONICO) | |
| 11 | 841162020 | SERBATOIO CARBURANTE | |
| 12 | 841161296 | FONDO BASAMENTO | |
| 13 | 841161050 | BASAMENTO | |
| 14 | 842252026 | TAPPO SERB. CARBUR. BAIONETTAD80 | |
| 15 | 764409975 | SENSORE LIVELLO CARBURANTE(L=225) | |
| 16 | 1240060 | MORSETTO 35mmq | |
| 17 | 1243020 | GUIDA PER MORSETTIERA | |
| 18 | 1241010 | PIASTRINA | |
| 19 | 764409150 | BATTERIA 12V 100Ah(SENZA MANU) | |
| 20 | 400409154 | STAFFA FISSAGGIO BATTERIA | |
| 21 | 841161061 | SUPPORTO BATTERIA | |
| 22 | 107509905 | SPINOTTO | |
| 23 | 841167102 | SUPPORTO SCATOLA APP. ELETTRICHE | |
| 24 | 841167004 | SCATOLA APP. ELETTRICHE | |
| 25 | 841161100 | ROLL-BAR | |
| 26 | 841162212 | TUBO SCARICO OLIO | |
| 27 | 740352211 | STAFFA SUPP.POMPA SCARICO OLIO | |
| 28 | 317802310 | POMPA SCARICO OLIO | |

| <i>Pos.</i> | <i>Rev. Cod.</i> | <i>Descr.</i> | <i>Note</i> |
|-------------|------------------|---|-------------|
| 1 | 841162200 | PERKINS ENGINE 1104C-44TAG2 | |
| 2 | 841153100 | ALTERNATOR | |
| 3 | 841163024 | COVER ALTERNATOR BOX | |
| 4 | 841162228 | FUEL FILTER | |
| 5 | 841162352 | SIDE OIL FILLER UNIT | |
| 6 | 105611550 | VIBRATION DAMPER | |
| 7 | 744502032 | THICKNESS 4mm | |
| 8 | 841163101 | ALTERNATOR SUPPORT BRACKET | |
| 9 | 840951262 | TAP | |
| 10 | 842251262 | TAP | |
| 11 | 841162020 | FUEL TANK | |
| 12 | 841161296 | BASE, BOTTOM | |
| 13 | 841161050 | BASE | |
| 14 | 842252026 | FUEL TANK, CAP | |
| 15 | 764409975 | FUEL LEVEL SENSOR | |
| 16 | 1240060 | TERMINAL 35mmq | |
| 17 | 1243020 | TERMINAL GUIDE | |
| 18 | 1241010 | PLATE | |
| 19 | 764409150 | BATTERY 12V 100Ah (WITHOUT MAINTENANCE) | |
| 20 | 400409154 | BATTERY BRACKET | |
| 21 | 841161061 | BATTERY SUPPORT | |
| 22 | 107509905 | PLUG | |
| 23 | 841167102 | SUPPORT, ELECTRICAL EQUIPMENT | |
| 24 | 841167004 | ELECTRICAL EQUIPMENT | |
| 25 | 841161100 | ROLL-BAR | |
| 26 | 841162212 | EXHAUST OIL PIPE | |
| 27 | 740352211 | BRACKET FOR OIL DISCHARGE PUMP | |
| 28 | 317802310 | EXHAUST OIL PUMP | |

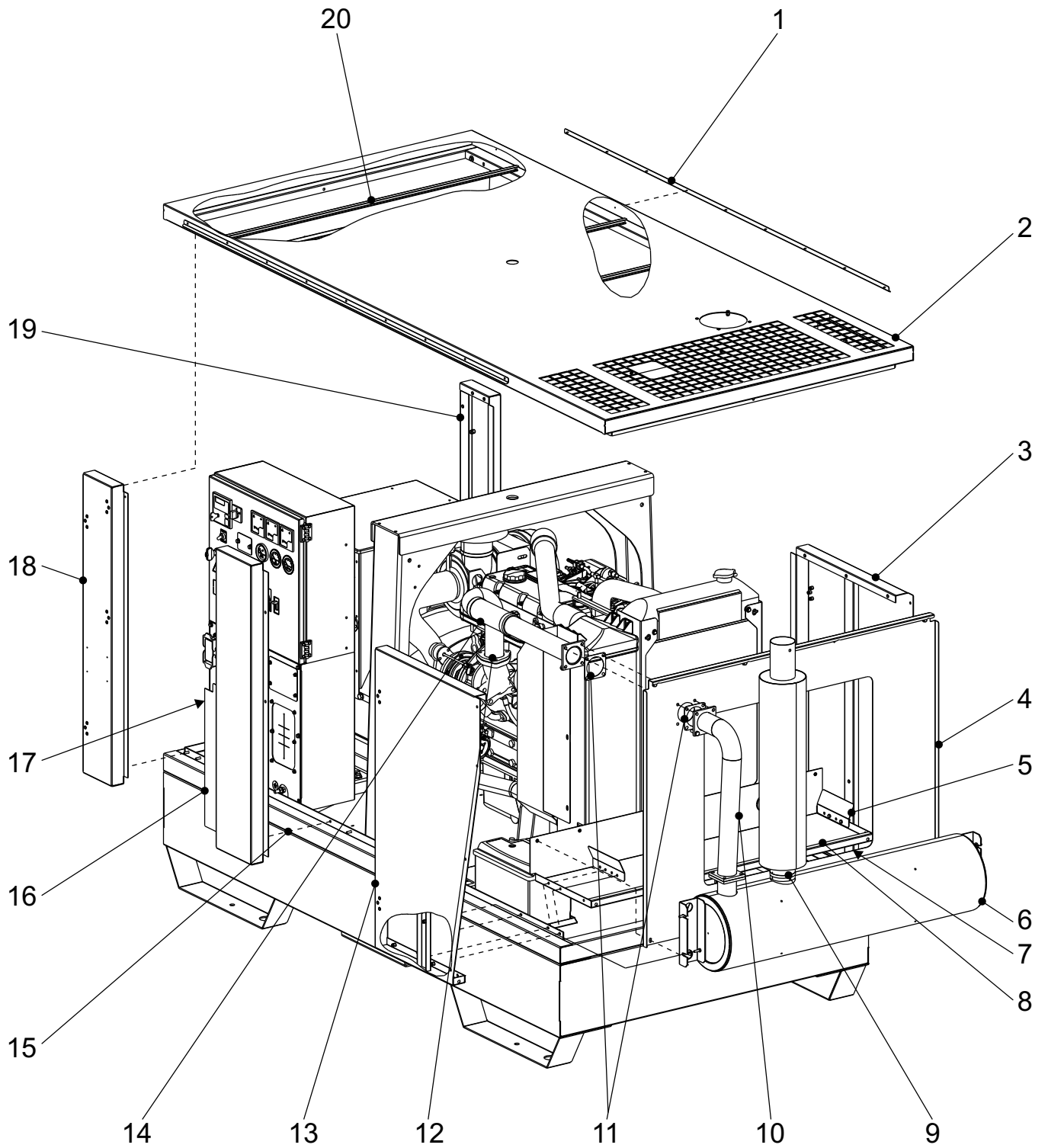


| <i>Pos.</i> | <i>Rev. Cod.</i> | <i>Descr.</i> | <i>Note</i> |
|-------------|------------------|---|-------------|
| 1 | 325507305 | AMPEROMETRO / AMPEROMETER | |
| 2 | JK0029770 | UNITA'CONTR. MOTORE (EP6) / ENGINE UNIT CONTROL EP6 | |
| 3 | 102042740 | CAPPUCCIO / CAP | |
| 4 | 744507057 | CHIAVE SERRATURA QUADRO ELETT. / ELECTRICAL BOARD KEY | |
| 5 | 305717315 | COMMUTATORE / COMMUTATOR | |
| 6 | 325507027 | COPERCHIETTO RELE DIFFERENZ. / RELAY COVER | |
| 7 | 325507210 | INDICATORE LIVELLO CARBURANTE / FUEL LEVEL GAUGE | |
| 8 | 744508103 | CERNIERA X COPERCHIO FRONTALE / LATCH X FRONT COVER | |
| 9 | 105191560 | FRUTTO PRESA CONNETTORE / SOCKET, EAS | |
| 10 | 105191570 | COPERCHIO PER PRESA EAS / BLIND PLATE, EAS SOCKET | |
| 11 | 105191550 | CUSTODIA PER PRESA EAS / BOX, EAS SOCKET | |
| 12 | 315507215 | AVVISATORE ACUSTICO / ACOUSTIC ALARM SYSTEM | |
| 13 | 744507219 | PULSANTE STOP D'EMERGENZA / EMERGENCY PUSH BUTTON STOP | |
| 14 | 841167032 | PIASTRA DI CHIUSURA / PLATE, LOCKSOCKET | |
| 15 | 744507237 | CONTATTO NC AGGIUNTIVO PER PULSANTE / SUPPLEMENTARY CONTACT FOR PUSH-KNOB | |
| 16 | 841167074 | CORNICE FISSAGGIO PANNELLO IN GOMMA / RUBBER FIXING FRAME | |
| 17 | 841167075 | PANNELLO IN GOMMA / RUBBER COVER | |
| 18 | 325507306 | TRASFORMATORE AMPEROMETRICO / AMOEROMETRIC TRANSFORMER | |
| 19 | 317619199 | RELE' 12V - 70A / RELAY 12V 70A | |
| 20 | 840857009 | PIASTRA APPARECCHIATURE ELETTRICHE / PLATE ELECTRICAL EQUIPMENT | |
| 21 | 359257032 | COPERCH. CHIUS.FORO SCALDIGLIA / COVER | |
| 22 | 841167020 | PANNELLO FRONTALE / FRONT PANEL | |
| 23 | 306418310 | GUARNIZIONE (L=MT.1) / PROTECTION GASKET (L=MT.1) (qm) | |
| 24 | 1243020 | GUIDA PER MORSETTIERA / TERMINAL GUIDE | |
| 25 | 744508112 | SERRATURA PER COPERCHIO FRONT. / FRONT COVER LOCK | |
| 26 | 102013290 | COMMUTATORE / COMMUTATOR | |
| 27 | 309509005 | GUARNIZIONE / GASKET | (qm) |
| 28 | 1241010 | PIASTRINA / PLATE | |
| 29 | 107509045 | PORTAFUSIBILE / HOLDER, FUSE | |
| 30 | 841167036 | STAFFA SUPPORTO INTERR. MAGNETOT./ BRACKET MAGNETO SWITCH | |
| 31 | 841157325 | INTERRUTTORE MAGNETOTERMICO / CIRCUIT BREAKER | |
| 32 | 306479199 | RELE' AVV. ELETTRICO / RELAY, ELECTRIC START | |
| 33 | 107509005 | GUARNIZIONE / GASKET | |
| 34 | 841167010 | SCATOLA ELETTRICA / ELECTRIC BOX | |
| 35 | 744507170 | CUSTODIA FISSA CONNETTORE / CONNECTOR HOUSING | |
| 36 | 744507171 | FRUTTO PRESA CONNETTORE / SOCKET, EAS | |
| 37 | 107509903 | PRESA / SOCKET | |
| 38 | 746507270 | PRESA CEE 400V 125A 3P+N+T / EEC SOCKET | |
| 39 | 344027270 | PRESA CEE 63A 400V 3P+N+T / EEC SOCKET | |
| 40 | 305907270 | PRESA CEE 16A 400V 3P+N+T / EEC SOCKET | |
| 41 | 105111510 | PRESA CEE 380V TRIFASE / EEC SOCKET THREE-PHASE 380V | |
| 42 | 307017240 | PRESA 220V 16A / EEC SOCKET | |
| 43 | 155307107 | DISGIUNTORE TERMICO 15A-250V / THERMAL SWITCH 15A-250V | |
| 44 | 841167065 | PANNELLO PORTA PRESE / SOCKETS HOLDER FRONT PANEL | |
| 45 | 259107241 | PRESE SCHUKO/SCHUKO SOCKETS | |



| <i>Pos.</i> | <i>Rev. Cod.</i> | <i>Descr.</i> | <i>Note</i> |
|-------------|------------------|------------------------------------|-------------|
| 1 | 309509005 | GUARNIZIONE | (qm) |
| 2 | 841168080 | SCHERMO PER PORTELLA | |
| 3 | 841168426 | FIANCATA LATO STRUMENTI | |
| 4 | 6033050 | GOLFARE | |
| 5 | 1018130 | ANELLO OR | |
| 6 | 841658361 | GHIERA PER COPERCHIO ERMETICO | |
| 7 | 841658360 | COPERCHIO ERMETICO | |
| 8 | 841659357 | TIRANTE IN GOMMA | |
| 9 | 841659358 | ANELLO DOPPIO | |
| 10 | 841168035 | CARENATURA POSTERIORE | |
| 11 | 744508140 | CERNIERA PER FIANCATA | |
| 12 | 841258125 | COPERCHIO MANUTENZIONE ALTERNATORE | |
| 13 | 841168080 | CARENATURA ANTERIORE | |
| 14 | 741167032 | PIASTRA DI CHIUSURA | |
| 15 | 841168458 | FIANCATA INTERMEDIA BATTENTE | |
| 16 | 841168461 | LISTELLO FERMO FIANCATA | |
| 17 | 842258460 | FILO ARMONICO | |
| 18 | 842258163 | CHIUSURA A CRICCHETTO | |
| 19 | 105111450 | MORSETTO | |
| 20 | 841168428 | FIANCATA INTERMEDIA | |
| 21 | 841168220 | CASSONETTO ASPIRAZIONE | |

| <i>Pos.</i> | <i>Rev. Cod.</i> | <i>Descr.</i> | <i>Note</i> |
|-------------|------------------|-----------------------------------|-------------|
| 1 | 309509005 | GASKET | (qm) |
| 2 | 841168080 | GLASS COVER | |
| 3 | 841168426 | COVER COMMANDS SIDE | |
| 4 | 6033050 | UP-EAVING RING | |
| 5 | 1018130 | OR RING | |
| 6 | 841658361 | FLANGE FOR AIR-TIGHT SEALED COVER | |
| 7 | 841658360 | ERMETIC COVER | |
| 8 | 841659357 | TIE ROD | |
| 9 | 841659358 | DOUBLE RING | |
| 10 | 841168035 | REAR COVER | |
| 11 | 744508140 | LATCH | |
| 12 | 841258125 | ALTERNATOR INSPECTION COVER | |
| 13 | 841168080 | FRONT COVER | |
| 14 | 741167032 | PLATE, LOCKSOCKET | |
| 15 | 841168458 | CENTRAL WING DOOR | |
| 16 | 841168461 | PANELIST FOR SIDE COVER | |
| 17 | 842258460 | HARMONIC WIRE | |
| 18 | 842258163 | JACK-GEAR LOCK | |
| 19 | 105111450 | TERMINAL | |
| 20 | 841168428 | MIDDLE COVER | |
| 21 | 841168220 | INDUCTION CASE | |



| <i>Pos.</i> | <i>Rev. Cod.</i> | <i>Descr.</i> | <i>Note</i> |
|-------------|------------------|---|-------------|
| 1 | 841168068 | GOCCIOLATOIO | |
| 2 | 841178091 | CARENATURA SUPERIORE (COMPL.) | |
| 3 | 841168025 | FIANCATA POSTERIORE SINISTRA | |
| 4 | 840858215 | PARETE SCARICO ARIA MOTORE | |
| 5 | 841168075 | PIASTRA PARA ACQUA | |
| 6 | 841252050 | SILENZIATORE DI SCARICO | |
| 7 | 105112270 | GUARNIZIONE (L=MT.1) | (qm) |
| 8 | 840858168 | PANNELLO INFERIORE PER CASSONETTO SCARICO | |
| 9 | 841172078 | RACCORDO TUBO SCARICO | |
| 10 | 841172081 | TUBO SCARICO COLLEGAMENTO MARMITTA | |
| 11 | 325252069 | GUARNIZIONE | |
| 12 | 840752069 | GUARNIZIONE SCARICO MOTORE (fornita con motore) | |
| 13 | 841168020 | FIANCATA POSTERIORE DESTRA | |
| 14 | 841168070 | TUBO SCARICO | |
| 15 | 841168340 | CORNICE SUPPORTO CARENATURA | |
| 16 | 841168015 | FIANCATA CARENATURA DESTRA | |
| 17 | 309509005 | GUARNIZIONE | (qm) |
| 18 | 841168003 | FIANCATA CARENATURA DESTRA | |
| 19 | 841168004 | FIANCATA CARENATURA SINISTRA | |
| 20 | 841168464 | STAFFA FERMO FONO ASSORBENTE | |
| <i>Pos.</i> | <i>Rev. Cod.</i> | <i>Descr.</i> | <i>Note</i> |
| 1 | 841168068 | DRIPPER | |
| 2 | 841178091 | TOP COVER (COMPL.) | |
| 3 | 841168025 | REAR LEFT COVER | |
| 4 | 840858215 | ENGINE AIR EXHAUST SITE | |
| 5 | 841168075 | WATER BAFFLE BOARD | |
| 6 | 841252050 | EXHAUST MUFFLER | |
| 7 | 105112270 | STRIP, SEALING (L=MT.1) | (qm) |
| 8 | 840858168 | LOWER PANEL FOR AIR INLET BOX | |
| 9 | 841172078 | PIPE FITTING, EXHAUST PIPE | |
| 10 | 841172081 | EXHAUST PIPE FOR MUFFLER | |
| 11 | 325252069 | GASKET | |
| 12 | 840752069 | GASKET | |
| 13 | 841168020 | REAR RIGHT COVER | |
| 14 | 841168070 | EXHAUST PIPE | |
| 15 | 841168340 | SUPPORTING FRAME FOR COMPLETE COVER | |
| 16 | 841168015 | COVER RIGHT SIDE | |
| 17 | 309509005 | GASKET | (qm) |
| 18 | 841168003 | COVER RIGHT SIDE | |
| 19 | 841168004 | COVER LEFT SIDE | |
| 20 | 841168464 | SOUND-PROOF MATERIAL BRACKET | |

