



## PANTHER PQ35L

### Thermal Image Scope



HIKMICRO PANTHER PQ35L Thermal Image Scope has  $640 \times 512$  thermal detector and  $1024 \times 768$  OLED monitor, which provides clear image under harsh environment conditions like darkness, fog, smoke, dust, rain, snow, wood, camouflage, etc. The scope is mainly applied to scenarios such as hiking, hunting, searching and rescuing, etc.

#### Key Features

- $640 \times 512$  thermal resolution, high sensitivity detector, NETD < 35 mK (25°C, F# = 1.0)
- Image processing technology: Adaptive AGC, DDE, 3D DNR
- $1024 \times 768$  resolution 0.39-inch OLED display
- Supports distance measurement and hotspot function
- Supports video recording and snapshot, built-in EMMC (16 GB)
- Supports digital zoom and reticle function, palettes of color adjustable
- Observation Distance up to 1800 m

## Specification

### Thermal Module

Image Sensor	Uncooled Focal Plane Array
Max. Resolution	640 × 512
Frame Rate	50 Hz
Pixel Interval	12 μm
Response Waveband	8 μm to 14 μm
NETD	< 35 mK (25°C, F# = 1.0)
Lens (Focal Length)	35 mm
Detection Range	1800 m
Field of View	12.52° × 10.03°
Min. Focusing Distance	2 m
Aperture	F1.0
Magnification	1.82×

### Image Display

Display	1024 × 768, 0.39 inch, OLED
Image Mode	Black Hot, White Hot, Red Hot, Fusion
FFC (Flat Field Correction) Mode	Auto, Manual, External Correction
Exit Pupil	6 mm
Eye Relief	45 mm
Diopter (Range)	-5 D to 3 D

### System

Digital Zoom	1×, 2×, 4×, 8×
Capture Snapshot	Yes
Record Video	On-board video recording
Standby Mode	Yes
Storage	Built-in EMMC (16 GB)
PIP	Yes
DPC	Yes
Hotspot	Yes
Uniformity Correction	Auto, Manual, External Correction
Hot Track	Yes
Reticle	Yes

### Power Supply

Battery Type	One Rechargeable Lithium battery
Battery Operating Time	5 hours continuous running (@25°C, Wi-Fi and CVBS off)
Battery Capacity Display	Yes
Anti-reverse Battery Connection	Yes
Overvoltage Protection	Yes
Type-C Power Supply	5 V DC/2 A, USB Type-C interface3 Supports external power supply

### General

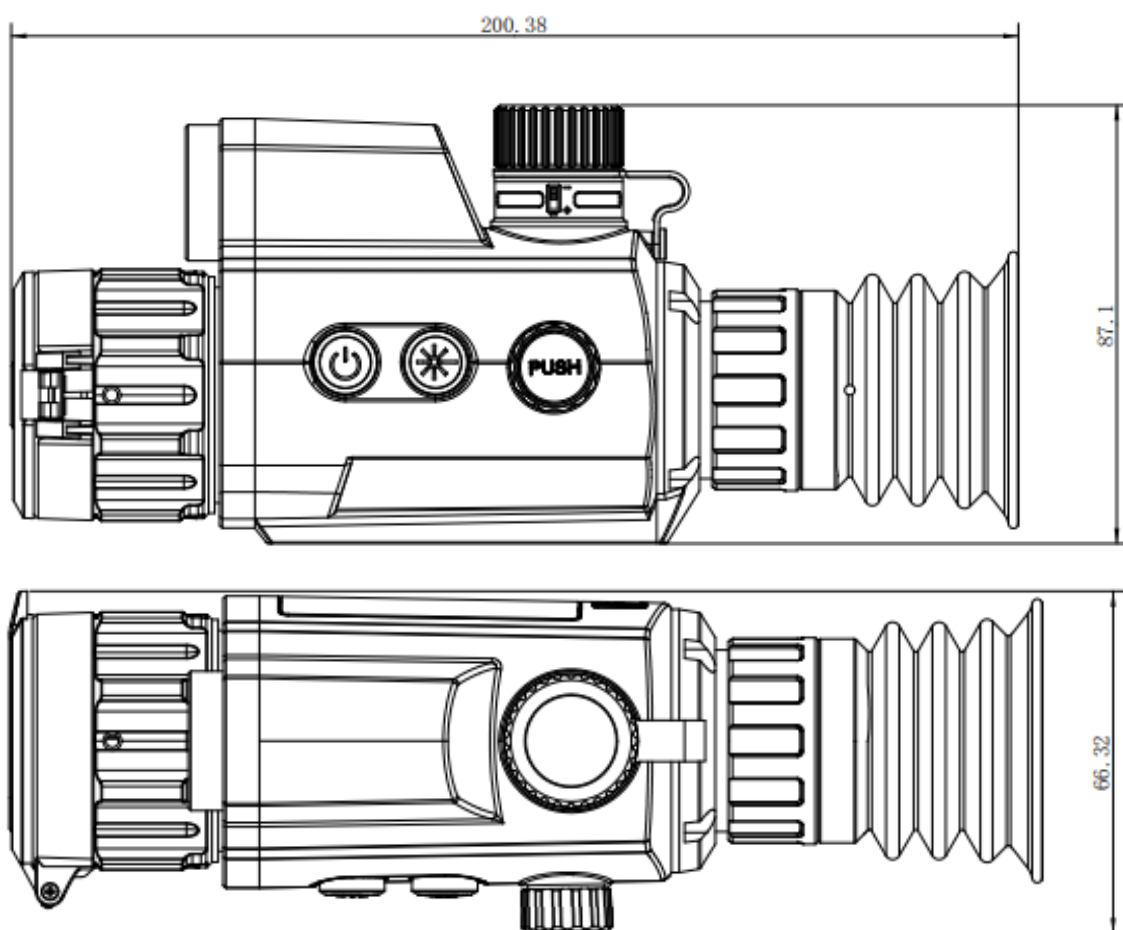
Work Temperature/Humidity	-30°C to 55°C (-22°F to 131°F)
Protection Level	IP67
Dimension	200.38 × 66.32 × 87.10 mm (7.89 × 2.61 × 3.43 inch)

Weight	< 518 g without eyepiece and batteries
Port	Type-C
<b>Laser Rangefinder</b>	
Safety Class for Laser	Class 1
Wavelength	905 nm
Max. Measuring Range	600 m
Measurement Accuracy	± 1 m
Min. Measuring Range	10 m

### Available Model

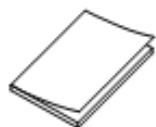
HM-TR26-35XG/W-PQ35L

## Dimension



Unit: mm

## Accessory



Quick Start Guide (x1)



Battery (x2)



Type-C Cable (x1)



Dust-free Cloth (x1)



Bag (x1)




Battery Charger


## Optional



Quick-release Rail

A thick red horizontal bar spanning most of the width of the page.

COMPLIANCE NOTICE: The thermal series products might be subject to export controls in various countries or regions, including without limitation, the United States, European Union, United Kingdom and/or other member countries of the Wassenaar Arrangement. Please consult your professional legal or compliance expert or local government authorities for any necessary export license requirements if you intend to transfer, export, re-export the thermal series products between different countries.

A grey geometric graphic consisting of several overlapping triangles and lines, resembling a stylized star or a cluster of points, located on the left side of the page.

