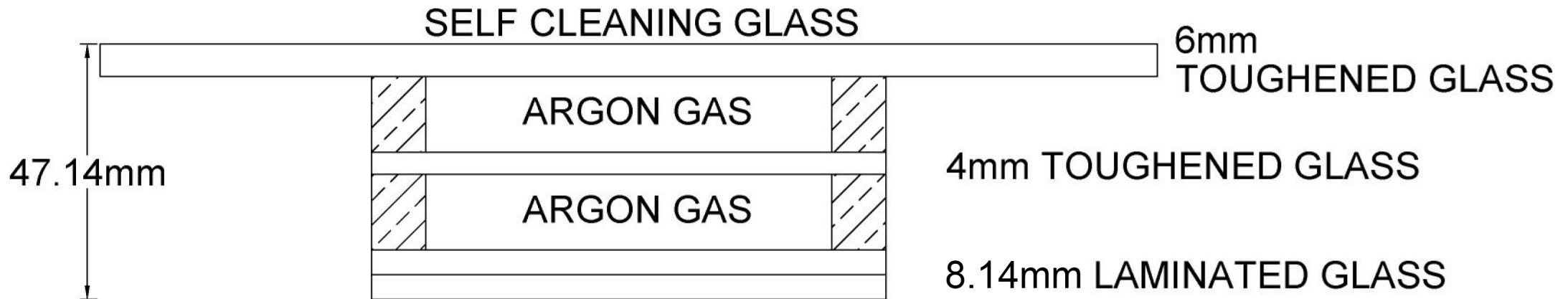


# STEPPED UNIT LAMINATED INNER PANE

ALL SIZES OVER 1000 x 2000mm



6mm TOUGHENED OUTER SEAMLESS SOFT COAT GLASS

14mm BLACK SPACER ARGON GAS

4mm TOUGHENED GLASS

14mm BLACK SPACER ARGON GAS

8.14mm TOUGHENED LAMINATED SOFT COAT GLASS

47.14mm OVERALL THICKNESS

45Kg/sqm WEIGHT

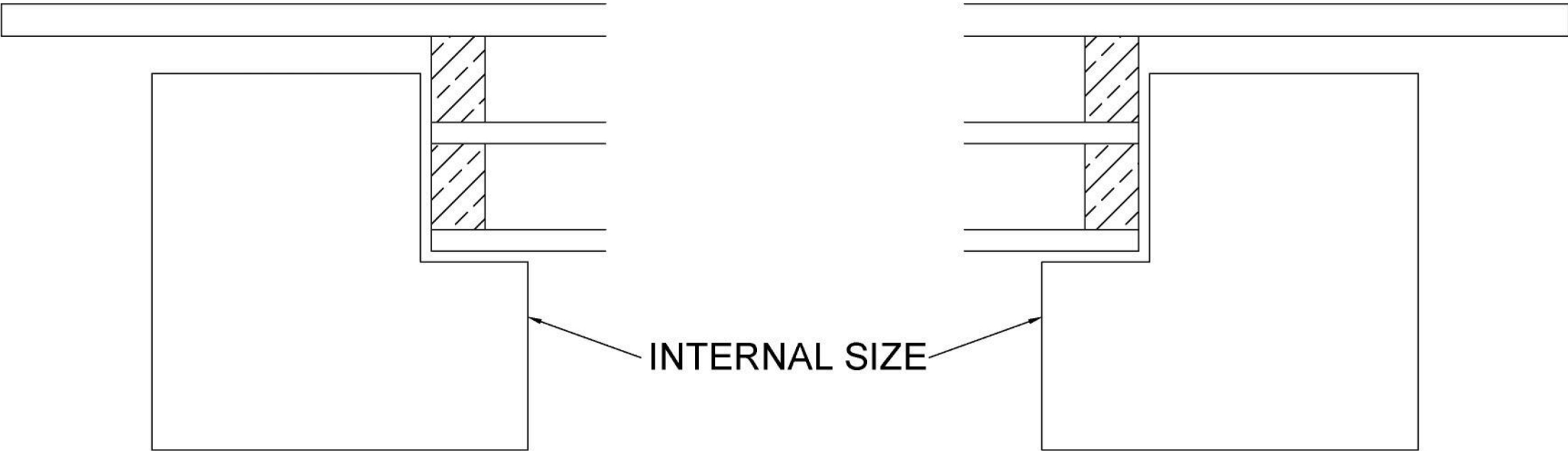
**Gladwell Glass**

Verified Supplier  Seamless Flat Roof Skylights

ROOFLIGHT SECTION

SCALE	SHEET SIZE	
1:1	A4	
DATE	DRG NO.	REV.
10 - 01 - 22	PL - 02	-

**RECOMMENDED FALL GRADIENT OF 80mm FOR EVERY 1000mm INCLUDING THE FALL OF THE ROOF.  
A WATER TEST IS ADVISED BEFORE SEALING TO ENSURE WATER RUN OFF.**



**ALL SIZES TAKEN AS INTERNAL**

**Gladwell Glass**

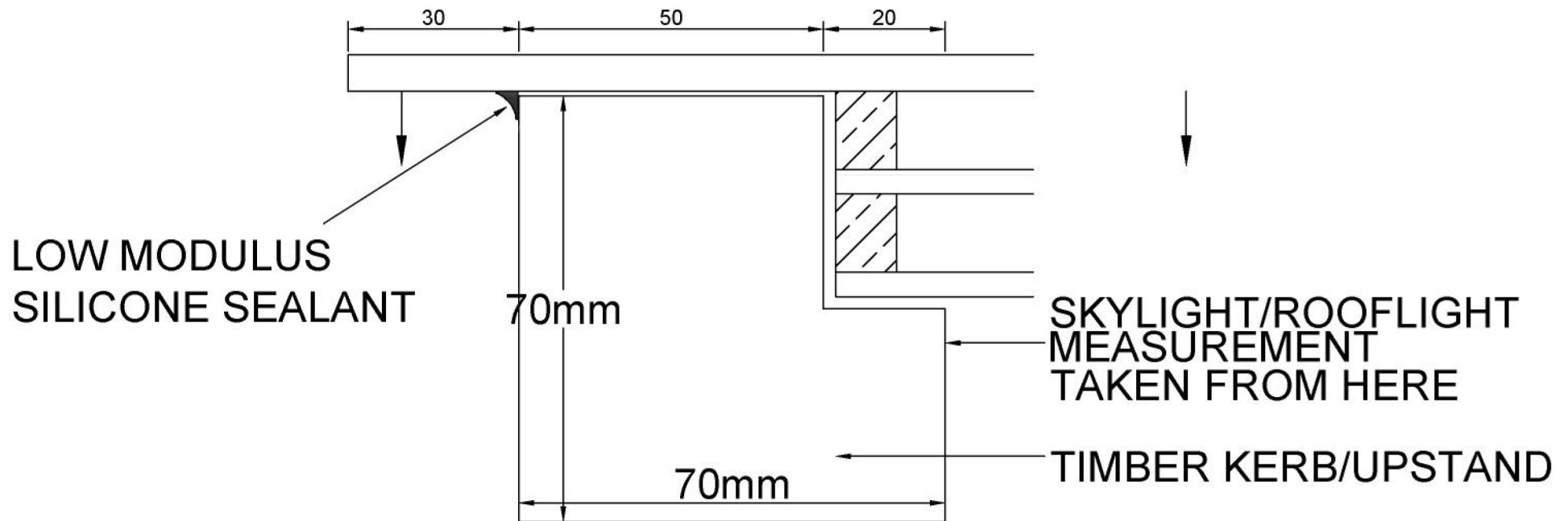
Verified Supplier  Seamless Flat Roof Skylights

ROOFLIGHT SECTION

SCALE	1:1	SHEET SIZE	A4
DATE	10 - 01 - 22	DRG NO.	PL - 04
		REV.	-

RECOMMENDED FALL GRADIENT OF 80mm FOR EVERY 1000mm INCLUDING THE FALL OF THE ROOF.  
A WATER TEST IS ADVISED BEFORE SEALING TO ENSURE WATER RUN OFF.

APPLY LOW MODULUS SEALANT AROUND THE PERIMETER BETWEEN THE UNDERSIDE OF THE GLASS BORDER AND TOP OUTER EDGE OF THE KERB.



LOW MODULUS SEALANT MUST BE USED ANY SOLVENT BASED SILICONE SEALANT WILL INVALIDATE THE WARRANTY.

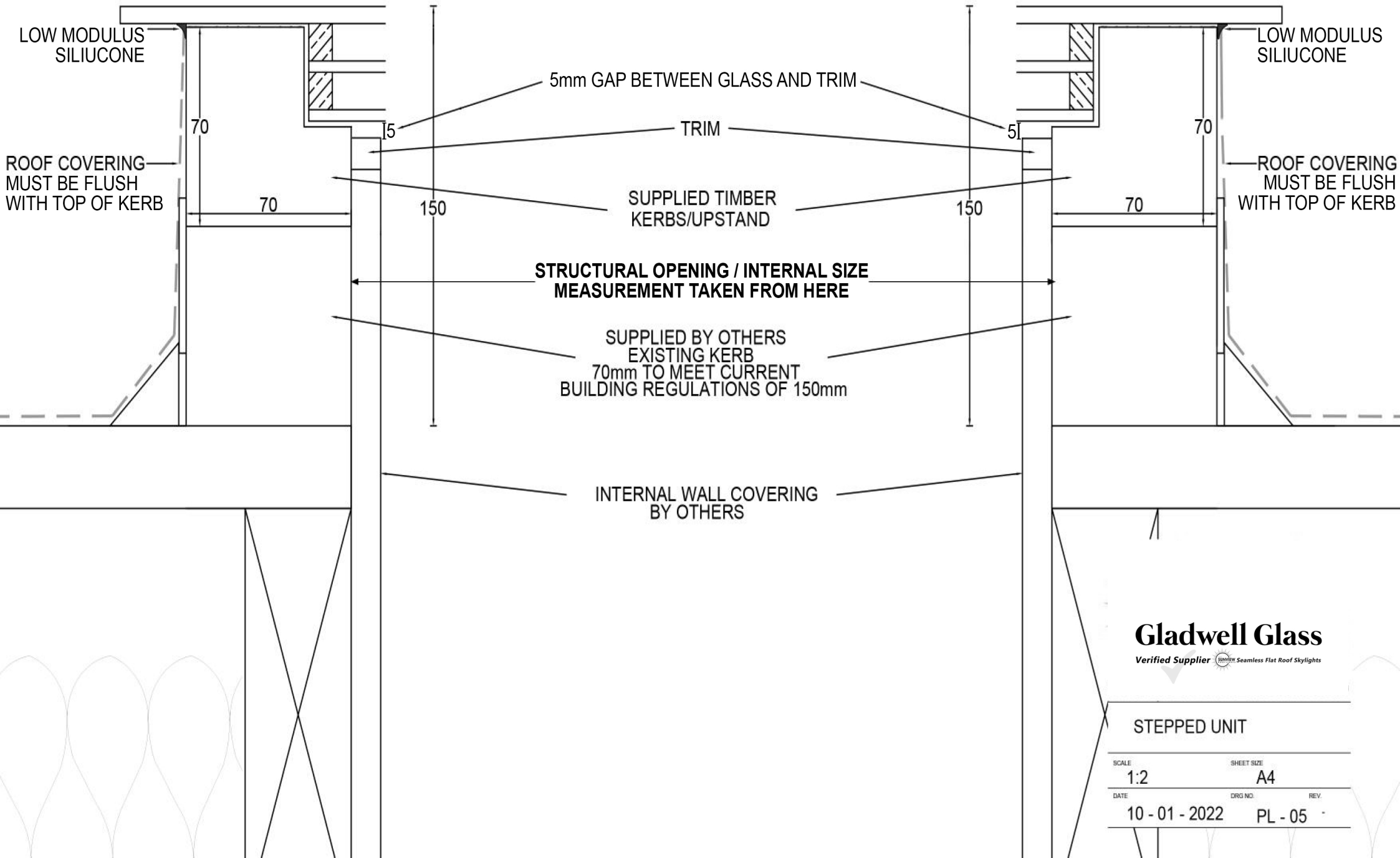
**Gladwell Glass**

Verified Supplier  Seamless Flat Roof Skylights

ROOFLIGHT SECTION

SCALE	1:1	SHEET SIZE	A4
DATE	10 - 01 - 22	DRG NO.	PL - 03
		REV.	-

RECOMMENDED FALL GRADIENT 80mm FOR EVERY 1000mm INCLUDING THE FALL OF THE ROOF  
PERFORM WATER TEST BEFORE SEALING INTO PLACE TO CHECK FOR POOLING



**Gladwell Glass**  
Verified Supplier  Seamless Flat Roof Skylights

STEPPED UNIT

SCALE	1:2	SHEET SIZE	A4
DATE	10 - 01 - 2022	DRG NO.	PL - 05