



TRAILMATE

www.trailmate.com

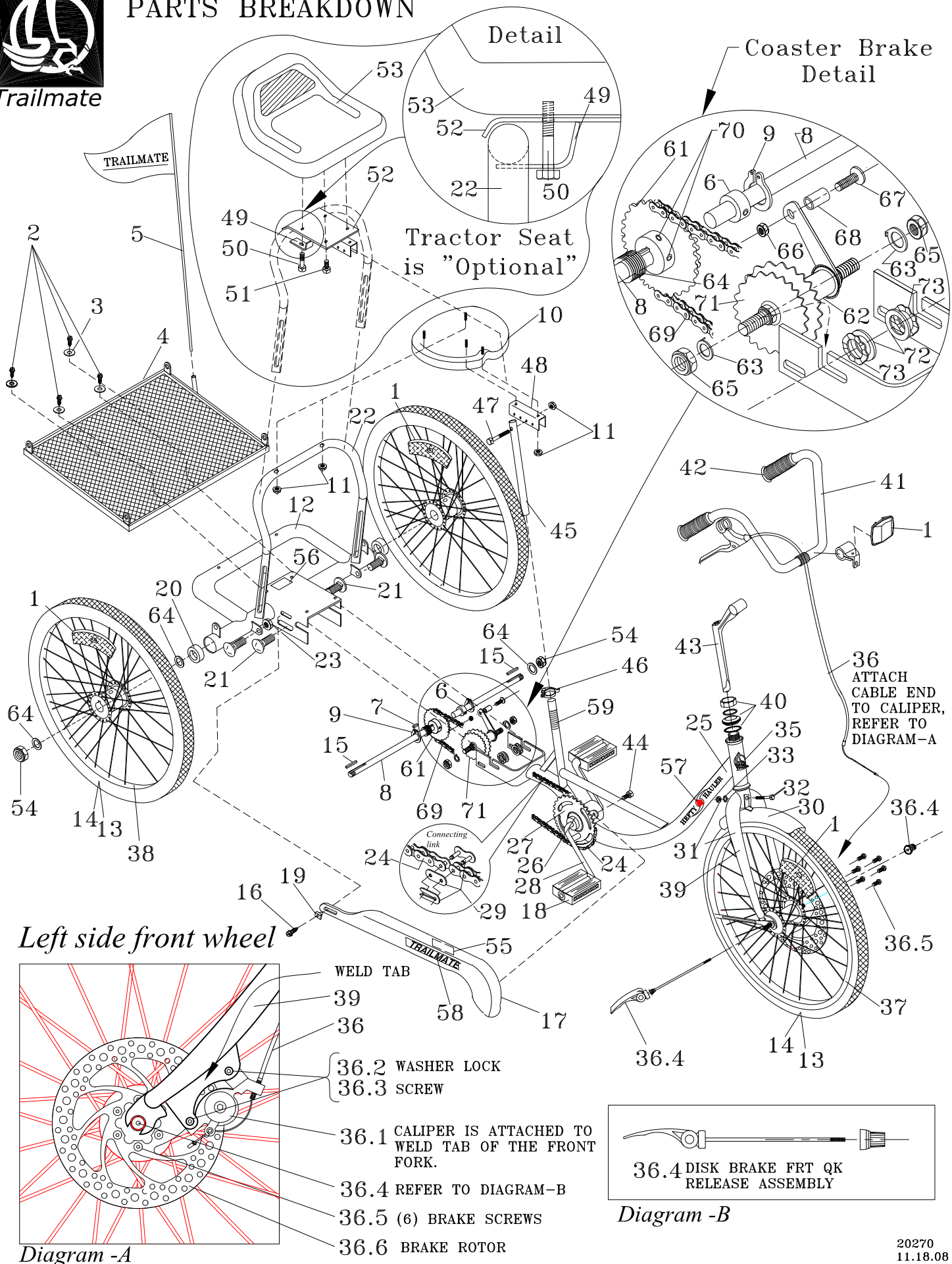
TRAILMATE WORKER



OWNER'S MANUAL



DESOTO WORKER W/ DISC BRAKES ILLUSTRATED PARTS BREAKDOWN

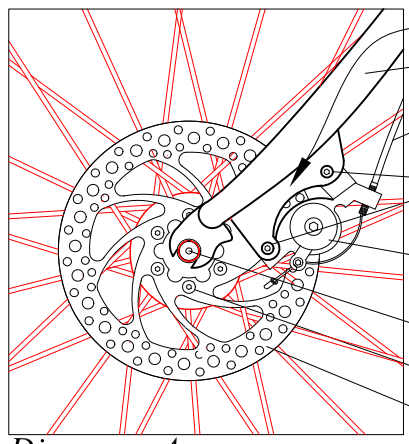


Detail
53
52
22
50
49

Coaster Brake Detail
61
70
9
8
6
67
68
66
65
64
71
69
63
73
62
72
65

Tractor Seat is "Optional"

Left side front wheel



- WELD TAB
- 39
- 36
- 36.2 WASHER LOCK
- 36.3 SCREW
- 36.1 CALIPER IS ATTACHED TO WELD TAB OF THE FRONT FORK.
- 36.4 REFER TO DIAGRAM-B
- 36.5 (6) BRAKE SCREWS
- 36.6 BRAKE ROTOR

- 42
- 41
- 1
- 36 ATTACH CABLE END TO CALIPER, REFER TO DIAGRAM-A
- 43
- 40
- 35
- 33
- 32
- 30
- 36.4
- 36.5
- 37
- 14
- 13

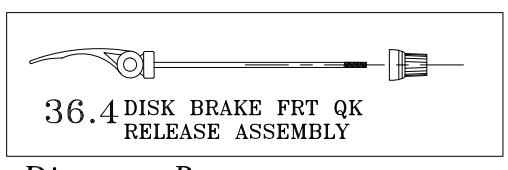


Diagram - B

36.4 DISK BRAKE FRT QK RELEASE ASSEMBLY

DESOTO WORKER W/ DISC BRAKES PART LIST

Δ Tractor Seat
"Optional"

* Coaster Brake Kit #12111
items #61 thru #73

ITEM	PART#	DESCRIPTION	QTY	ITEM	PART#	DESCRIPTION	QTY
1	11871	REFLECTOR KIT TRIKE	1	36.5	20261	BRAKE SCREW	6
2	12199	SCREW #14 x 3/4"	4	36.6	20260	BRAKE ROTAR	1
3	11171	WASHER, 1-1/2" x 5/16"	4	37	30001	WHEEL 24"x1.75 FRONT W/HWR.	1
4	20080	PLATFORM REAR WELDMENT BLK.	1	38	20268	WHL 24"x2.125 IND 5"HUB DRIVE	2
5	12102	FLAG, SAFTY W/ POLE	1	39	30002	FORK 24" W/ DISC BRAKE MOUNT	1
6	12241	SET COLLAR 5/8" W/ ADAPTER	1	40	11831	HEAD SET COMPLETE	1
7	12246	3/16 SQUARE KEY x 5/8	1	41	11805	HANDLEBAR HI RISE	1
8	20231	AXLE REAR WORKER W/KY	2	42	11801	GRIP BLACK 7/8	1PR
9	20126	SNAP RING / RR 140062	2	43	11813	STEM, HANDLEBAR WALD #14	1
10	11894	SEAT WESTERN SADDLE	1	44	12188	SCREW 10x3/8 TYPE B SHH	1
11	12175	NUT 5/16-18 FLANGED	4	45	20214	SEAT POST STL 12"x 1" OD	1
12	14272	FRAME REAR ST COLOR	1	46	20213	SEAT POST CLAMP 1-1/8" STL CP	1
13	19590	TIRE 24"x2.125BSW W/TUBE	3	47	12212	SCREW 5/16-18x 1-1/2 HHCS GR 5	1
14	11985	RIMSTRIP 24"x1.75"	3	48	11898	BRACKET, WESTERN SADDLE	1
15	20269	KEY SQUARE 3/16 x 2-1/4	2	49	12066	Δ Bracket "L" Seat Plated	2
16	18714	SCREW 8 X 1/2 TAP A HEX WASH HD	1	50	12214	Δ Screw 5/16-18 x 1-3/4 HHCS	2
17	11708	CHAINGUARD ST COLOR	1	51	12208	Δ Screw 5/16-18 x 3/4 HHCS	2
18	11857	PEDALS, 1/2" (PAIR) 801	1PR	52	12068	Δ Bracket Seat Mtng.	1
19	13198	SCREW GROMMETS	1	53	11900	Δ Tractor Seat Black	1
20	11643	BEARING AXLE 99502HNR	4	54	19720	NUT 5/8-18 NYLON INSERT	2
21	12218	CARRIAGE BOLTS 3/8-16x3/4	4	55	14089	DECAL, "AVOID SHARP TURNS"	1
22	12075	SISSY BAR DESOTO ST COLOR	1	56	19325	DECAL, "DO NOT STAND ON CYCLE"	1
23	12178	NUT 3/8-16 FLANGED	4	57	20118	DECAL, HEFTY HAULER	1
24	18643	CHAIN/CL DES 93 P CB/3SP	1	58	11719	DECAL, TM CHAINGUARD	1
25	20253	FRAME DESOTO WORKER FRONT	1	59	11729	DECAL, SEAT TUBE	1
26	11697	CRANK BEARING SET, COMPLETE	1	60	12301	WASHER, 3/8 FLAT SAE	1
27	11934	SPROCKET 36T 1/2x1/8	1	61	11952	* Solid Sprocket 22T	1
28	11695	CRANK 5-1/2" #2232	1	62	11667	* Hub CB Trike w/ 22 Weld Spkt.	1
29	11679	CHAIN CONNECTING LINK	2	63	18986	* Washer Anti-Turn S/A	2
30	20265	FENDER 9" FRT MWT W/L BRKT 90	1	64	12240	* Washer Spacer	2
31	12172	NUT 1/4-20 FLANGED	1	65	19153	* Nut Axle CB	1
32	12227	SCREW 1/4-20 x 1-3/4" HHCS	1	66	12170	* Nut, 10-32 /star	1
33	12232	WASHER 1/4 SAE	1	67	12193	* Screw, 10-32 x 1	1
34	12235	WASHER 5/16 USS	2	68	12239	* Spacer, 1/2cb/3spcb 13rso62550	1
35	11718	DECAL TM HEAD	1	69	11684	* Chain / Cl Des/ Reg 37P CB/3SP	2
36	30000	DISC BRAKE LEVER W/CABLE	1	70	11071	* Set Screw, 5/16-18 x 3/4 Sq. Hd.	1
36.1	20256	DISC BRAKE CALIPER	1	71	18909	* Hub Sprocket 21 Tooth 1/2 X 1/8	3
36.2	20257	WASHER LOCK	1	72	12238	* Washer 3/8 USS	2
36.3	20258	BRAKE SCREW	2	73	12428	* Washer 3/8 Internal Tooth Drv	
36.4	20259	DISC BRAKE FRT WHL QK RELEASE	1				

Optional

DESOTO / WORKER
ASSEMBLY INSTRUCTION

Remove all parts from the frame and wheel cartons.
Check air pressure and inflate tires to 35 psi. Make sure tires are properly seated on rims.

1. Frame Assembly

Slide front frame (25) into rear frame (12) with transmission box open side down, as far as possible. Install four 3/8" carriage bolts (21) through the slots in the sides of the transmission box from the outside inward. Be sure the square shoulders of the bolts seat into each slot. Install flange nuts (23); **do not tighten at this time.**

2. Front Fender and Wheel

Attach front fender(30) to fork (39) thru "I" bracket using bolt(32), washer (33), and nut (31)Install front wheel (37) in the slots in the fork. Install washer & nut on other side. Hand tighten at this time. Install Brake Caliper using Lock Washer & Screw. Attach lower end of Cable (36) to Caliper (61).

Check that the wheel is centered between the fork blades and close the axle locking lever.

3. Pedals

To install pedals (18), screw the pedal marked "R" into the right side of the crank in a clockwise direction. Install the left pedal (marked "L") by turning in a counter-clockwise direction. Use a 9/16" open-end wrench to tighten.

4. Chain

Install drive chain (24) over front and rear sprockets and join together with connecting link (29). Install connecting link, and spring clip, using pliers. Slide the frame section apart, evenly, until the chain is tight (approximately 3/4" total up and down chain movement at middle is permissible) and securely tighten all four rear frame bolts. Rotate the pedal several times to check that the chain is running freely.

-KEEP FINGERS CLEAR!

If binding is encountered, the chain may have to be loosened until the binding is eliminated. Chain

binding is usually the result of a sprocket misalignment. Repositioning the sprocket on the rear axle, or re-squaring the trike rear to the front frame section can correct this.

5. Chain Guard

To install chain guard (17), place over chain and slide rear of guard under top of transmission box. When the plastic screw grommet (19) on the rear of the guard is lined up with the slotted hole in the side of transmission box, secure with screw (16). Before tightening it is necessary to line up the holes in the front mounting bracket. Remove and reinstall screw (44) and tighten. Tighten the rear screw. Turn the pedals to make sure the chain does not rub on the chain guard. If the chain rubs, adjust the back or front mounting bracket to obtain clearance.

6. Western Saddle Seat

To install western saddle seat (10), secure sissy bar (22) to the two 5/16" studs on the underside of the seat. The sissy bar should be installed so the top curves to the rear of the trike. Remove the seat-mounting bracket (48) (it is loosely installed on the seat post) and install on the two remaining studs on the bottom of the seat. You will need to use a 1/2" socket wrench to reach the nut. Secure the seat mounting bracket and seat to the seat post (45) using any of the four sets of holes with the 1-1/2" long screw (47) and nut (11). **NOTE:** The four sets of holes in the seat-mounting bracket will determine the distance from the handlebar. You may have to reposition later. Attach the sissy bar long slotted holes to the two tabs welded to the axle housing. Install carriage bolts (21) and attach nuts (23). **DO NOT** tighten at this time.

Seat Adjustment

Install seat post clamp(46) to the frame seat mast. Install the seat post (45) with seat (10) attached and raise seat to desired height. **DO NOT** expose more than 6-1/2" of seat post. Pull up on back of seat until level. Tighten seat post clamp and sissy bar bolts securely. **NOTE:** The four sets of holes in the seat-mounting bracket allow 3-1/4" front/back adjustment to the handlebar. Reposition height & front back setting for rider's maximum comfort.

7. Handlebar

Slide the handlebar (41) through the clamp on the stem (43) with the portion containing the long bolt to the rear of handlebar. Install clear reflector. Install the stem into the fork (39) until the line marked on the stem is not visible. Align handlebar to the fork as it faces straight ahead and tighten bolt in stem firmly.

DO NOT over tighten; this can damage the fork tube.

CAUTION: Check that head set (40) is tight.

DO NOT over tighten, however, as this can damage the fork bearings. Fork assembly should rotate freely.

Slide handbrake lever onto right side of handlebar and tighten lightly. Slide hand grips (42) on handlebar until they bottom out. A small amount of soapy water inside the grip will make installation much easier. **NEVER** use oil or other lubricants! Slide handbrake lever against grip, adjust position and secure tightly.

8. Platform

Place platform (3) onto rear frame, center between the rear wheels and immediately behind the sissy bar.

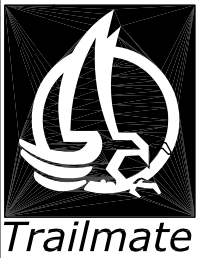
Using sheet metal screws (1) and washers (2), secure the basket to the two holes in the rear frame crossover tube and two rear holes in the top of the transmission box. Tighten screws with a 3/8" socket wrench.

9.

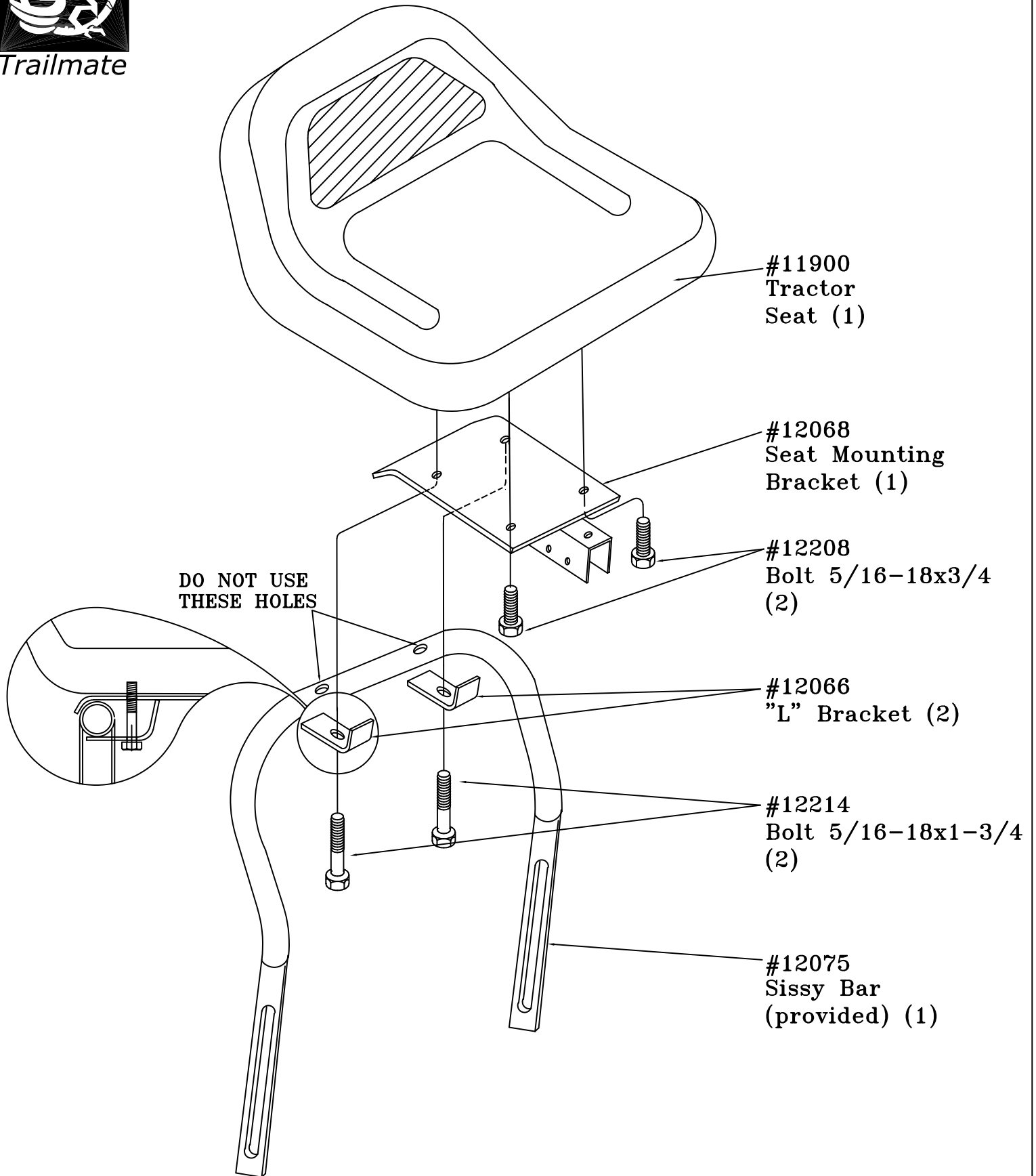
Place the **Safety Flag** (4) in flag holder on the platform frame.

10. Final Check

Review the instructions, check connecting bolts and screws for tightness, and readjust the seat and handlebar as necessary.



INSTRUCTION SHEET FOR CONVERTING TO "OPTIONAL" TRACTOR SEAT.



REGULAR MAINTENANCE: Bi-Monthly

1. Keep all painted parts cleaned and waxed for a long-lasting luster.
 2. Spray all chrome parts with recommended protective spray coating (LPS-1, WD-40, etc.).
When spraying with protective coatings, it is recommended that you let parts set overnight so the coating will penetrate.
 3. Lubricate the following:
 - a. Pivot points at top and bottom of seat
 - b. Axle shafts
 - c. Inside bearings of both pedals
 - d. Chain – turn pedal crank forward and spray freely
 4. When storing over prolonged periods, turn upside down to prevent flat spots from occurring on the tires. If stored outside, cover to protect finish and moving parts.
-

PREVENTATIVE MAINTENANCE: Every Six Months

These are services that should be performed by your local bicycle shop. A fee may be charged.

1. Check tires for wear, rim cuts, and valve core alignment (usually caused by improper air pressure).
 2. Check wheels for cracks and alignment.
 3. Check brakes for proper operation.
 4. Clean and repack all bearings and adjust all cones.
 5. Check for worn bearings, cones, and cups.
 6. Check chain for adjustment and clean as needed.
 7. Check for loose bolts and nuts.
-

INSPECTION

Check the following, as it applies to your cycle, on a regular basis:

1. Coaster brake – Make sure the brake engages, by pedaling backwards.
 2. Wheels – Check wheels for alignment.
 3. Pedals – Inspect pedal bearings and make sure pedal is tightly attached to crank.
 4. Handle grips – Replace worn or loose grips.
 5. Chain – Check for proper tightness. Replace damaged chain immediately.
 6. Seat – Adjust seat for rider comfort and safety.
 7. Tires – Keep tires inflated to the recommended tire pressure, as indicated on the tire's sidewall.
 8. Chain guard – Replace damaged or missing chain guard immediately.
 9. Frame – Replace damaged frame immediately.
-



Trailmate

1851 67th AVE East

Sarasota, FL 34243

Tel: (941) 755-5511

Fax: (941) 758-5141

Visit us @ www.trailmate.com

**For service or to order
replacement parts
please contact your
local Trailmate dealer.**

DESOTO-WORKER

This is a recreational unit, not designed for excessive speeds or misuse.

Do not brake or turn at high speeds. This may cause cycle to roll over. Careless operation may cause rider to lose control and result in **serious injury**.

Things to know before riding your cycle:

1. Know your local bicycle laws and wear a helmet.
2. Do not exceed the recommended weight limit of 400 lbs.
3. No more than one rider at one time.
4. Do not stand on unit.
5. Be sure to install safety flags.
6. Wear light-colored clothing and protective gear.
7. Do not ride at night.
8. Children must be supervised by an adult at all times.

Trailmate Limited Warranty

Trailmate, Inc., guarantees each cycle product against all defects in materials and workmanship for a period of 90 days from date of purchase. Tires and tubes are not covered by this guarantee.

During this period, any part that is judged by the makers to be defective will be replaced free of charge. Any failure resulting from accident, abuse, neglect, normal wear, or improper assembly or maintenance by the owner is not covered.

Trailmate, Inc., further authorizes a lifetime frame guarantee and will replace any frame, at no cost to the buyer, providing that item has not been used for rental use and that:

- 1) The item has not been altered, repaired, or modified in any way.
- 2) The item has not been subject to misuse, negligence, and/or an accident.
- 3) Original ownership is established.

Any parts under this guarantee on which claims are entered shall be returned for inspection with transportation charges prepaid by the claimant. Replacement parts will be shipped F.O.B. factory.

There are no warranties or guarantee, expressed or implied, written or oral, which extend beyond the description on the face hereof.