

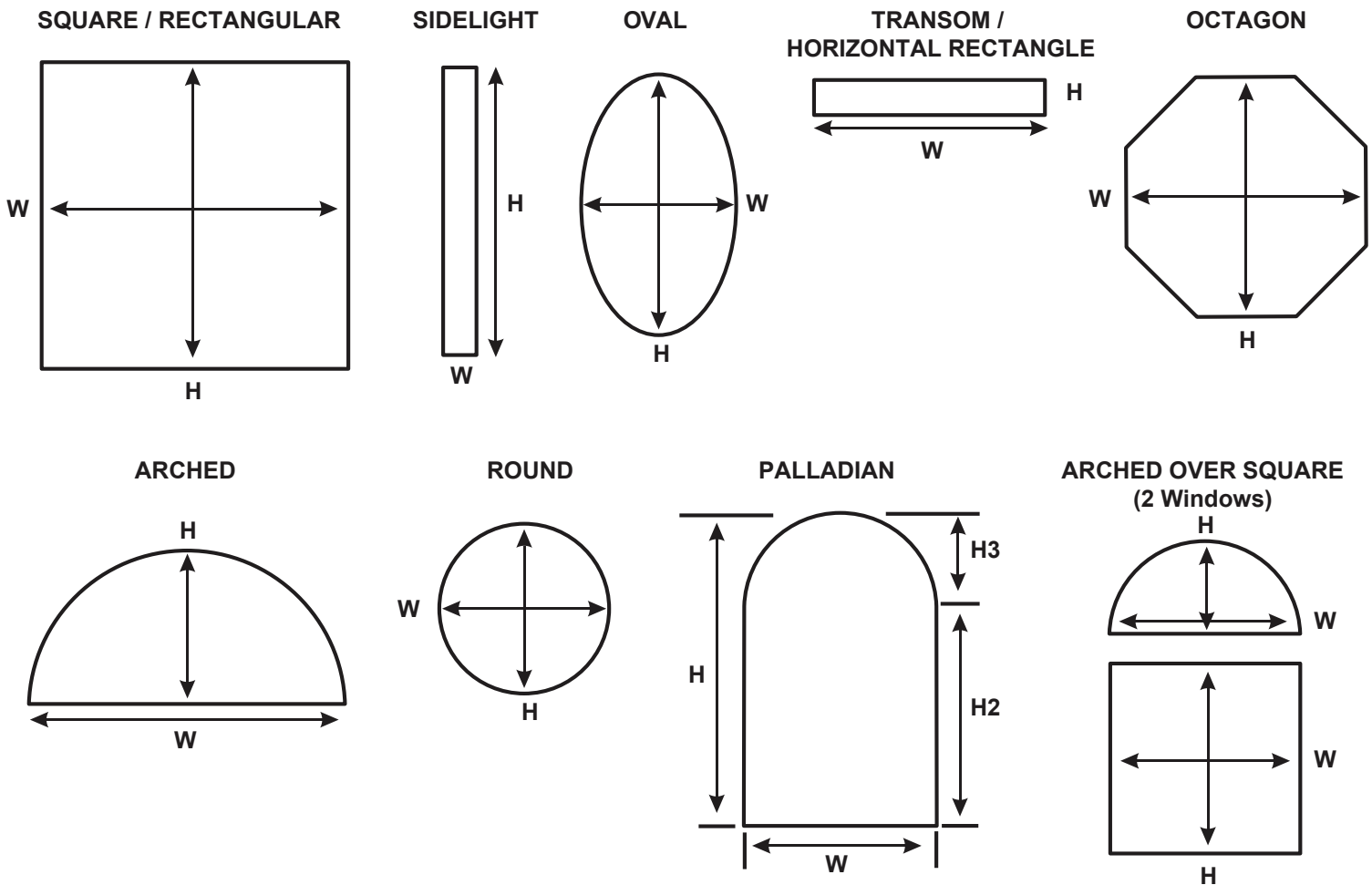
HOW TO MEASURE

MEASURE THE GLASS AREA ONLY

Correct measuring will ensure that your overlay is manufactured correctly, so that it fits properly.

1. Measure the glass area only.
2. Measure the width (W) and height (H) as shown to the closest 1/8 of an inch.
3. Enter the width (W) and height (H) in the appropriate area of the website.

Common Window Shapes Are Shown Below



Note: For PALLADIAN Shape, please provide H2 and H3 in comments section.

Note: Our equipment and technology are capable of producing overlays as wide as 52" in one dimension. If both width and height on your window exceed 52", your overlay will be produced with a seam.