

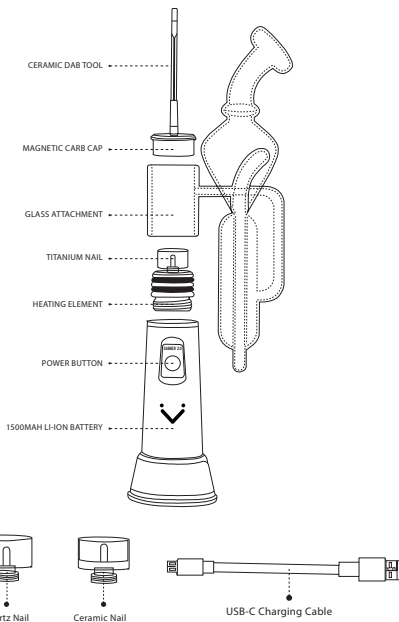
# VUBBER

## DABBER 2.0 USER MANUAL



The Vuber Dabber 2.0, designed  
to deliver powerful dabs on the go.  
No coils, torches, or butane needed.

### WHAT'S INSIDE



### FEATURES

- Consistent, even temperatures each time.
- 15 second warm up to 550°F or 650°F; lasts 30 seconds for one cycle.
- 1500 mAh powerful battery core.
- Easy to use and portable size.
- Three types of nails (Titanium, Quartz & Ceramic) are included for personal preference.
- Unique glass structure design allows for superior water percolation.

### OPERATION

1. Charge the Dabber 2.0 before first use.
2. Fill the glass to approximately 1/3 to 1/2 full with cool water.
3. Press the power button 5 times rapidly to turn the Dabber 2.0 on and off.
4. When powered on, press the power button 2 times to cycle temperatures. The the light will flash 3 times in BLUE and last for 5 seconds indicating it is set to 550°F. Press the power button 2 times to change the temperature to 650°F - the light will flash 3 times in RED and last for 5 seconds indicating that the temperature has been changed.

**550°F** - Press the power button 3 times. The light will turn BLUE to indicate the nail is heating. After 15 seconds the light will turn GREEN and the Dabber 2.0 is ready to use. After the cycle has completed, you can press the button three times and the heat cycle will start again.

**650°F** - Press the power button 3 times. The light will turn RED to indicate the nail is heating. After 15 seconds the light will turn GREEN and the Dabber 2.0 is ready to use. After the cycle has completed, you can press the button three times and the heat cycle will start again.

5. Use the ceramic dab tool to place a small amount of product onto the nail. The product should heat and melt down to oil.
6. Replace the carb cap on top of the glass and inhale gently on the glass mouthpiece to produce vapor.
7. You can pause the heating process anytime by pressing the button 3 times rapidly. Press the button 3 times to start again. The device will shutdown after 15 minutes without operation.

## BATTERY & CHARGING

1. The Dabber 2.0 has a built-in 1500mAh battery. Fully charge the device before first use.
2. The light will turn red when charging. It takes about 1 hour for a full charge. 5V/1A charger is recommended. When the light turns green, the Dabber 2.0 is fully charged.
3. Do not attempt to use the device while charging.
4. Low Battery: The button will flash red 8 times to indicate low battery charge. The device will automatically stop working for battery protection.
5. Overcharge protection: When the device is fully charged, it will automatically stop charging.

## CLEANING

- Power off the Dabber 2.0 and let the nail, heating element, and glass attachment cool down to a safe temperature before cleaning.
- The Dabber 2.0 unit, nails, heating element & glass attachment can be cleaned by swabs/wipes with isopropyl alcohol. Do not submerge the Dabber or accessories in any liquid.

## CLEANING(continued)

- Be sure all parts are dried completely before use (Isopropyl is flammable).
- Do not get battery base wet.

## TIPS & TRICKS

- Do not forcefully remove the nails.
- Do not touch the heating element or nail after use. Please allow them to cool down.
- Do not attempt to heat up the device without the glass attachment.
- Attach/detach glass carefully, do not force.
- Several short inhalations produce more vapor.
- Do not overfill the nails. Use a small amount of product to start with (approximately the size of one to two grains of rice).
- Do not charge or operate below 32°F(0°C) or above 100°F(38°C).
- Keep away from moisture and high humidity.
- Store in a cool, dark place when not in use.
- If you are attempting to use the device and are seeing 5 or 8 flashing white lights, gently unscrew the nail and atomizer and re-seat the connections. Ensure parts are clear of any residue.
- Contact VUBER if error lights continue.



#VENTURE HIGHER

## LIMITED LIFETIME WARRANTY

Vuber Technologies is proud to offer a limited lifetime warranty on all Vuber devices. To qualify for a warranty claim, register your product within 30 days of purchase. To register or submit a warranty claim, please visit our website.

### GO TO:

[Vubervaporizers.com](http://Vubervaporizers.com)

- Approved warranty claims are typically processed within 3-5 business days.
- A shipping and handling fee applies to each item replaced.
- Nails & heating elements will need to be replaced over time and are not covered under warranty.
- Glass parts are not covered under warranty.
- Please retain your receipt to qualify for warranty replacement.
- Instruction videos are available under each product page, on the Vuber website.
- Damage caused by improper use, physical abuse, moisture exposure, or any activity other than vaping – will not be covered under warranty.

VUBER® COPYRIGHT. ALL RIGHTS RESERVED.  
VUBERVAPORIZERS.COM



@VUBER



WWW.FACEBOOK.COM/VUBERVAPE