



# Display Chiller

## Instruction manual



**Model:**  
**CD984-A / DM075-A / DM076-A**

## Safety Tips

- Position on a flat, stable surface.
- A service agent/qualified technician should carry out installation and any repairs if required. Do not remove any components or service panels on this product.
- Consult Local and National Standards to comply with the following:
  - Health and Safety at Work Legislation
  - Fire Precautions
  - Wiring Regulations
  - Building Regulations
- DO NOT use jet/pressure washers to clean the appliance.
- DO NOT use the appliance outside.
- DO NOT use this appliance to store medical supplies.
- DO NOT use electrical appliances inside the appliance (e.g. heaters, ice cream makers etc.).
- DO NOT allow oil or fat to come into contact with the plastic components or door seal. Clean immediately if contact occurs.
- DO NOT store products on top of the appliance.
- Bottles that contain a high percentage of alcohol must be sealed and placed vertically in the refrigerator.
- Always carry, store and handle the appliance in a vertical position and move by holding the base of the appliance.
- Always switch off and disconnect the power supply to the unit before cleaning.
- Keep all packaging away from children. Dispose of the packaging in accordance with the regulations of local authorities.
- If the power cord is damaged, it must be replaced by a POLAR agent or a recommended qualified technician in order to avoid a hazard.

- This appliance is not intended for use by persons (including children) with reduced physical, sensory or mental capabilities, or lack of experience or knowledge, unless they have been given supervision or instruction concerning the use of the appliance by a person responsible for their safety.
- Children should be supervised to ensure that they do not play with the appliance.
- Polar recommend that this appliance is PAT tested on an annual basis to ensure the product remains safe.



### Caution Risk of Fire

- Do not store explosive substances such as aerosol cans with a flammable propellant in this appliance.



**Warning: Keep all ventilation openings clear of obstruction. Unit should not be boxed in without adequate ventilation.**

- **Warning:** Do not use mechanical devices or other means to accelerate the defrosting process, other than those recommended by the manufacturer.
- **Warning:** Do not damage the refrigerant circuit.
- **Warning:** Do not use electrical appliances inside the food storage compartments of the appliance, unless they are the type recommended by the manufacturer.

## Product Description

**CD984-A** - 944 litre Double Door Display Chiller

**DM076-A** - 336 litre Single Door Display Chiller

**DM075-A** - 218 litre Single Door Display Chiller

## Introduction

Please take a few moments to carefully read through this manual. Correct maintenance and operation of this machine will provide the best possible performance from your POLAR product.

## Pack Contents

The following is included:

- POLAR Display Chiller
- Shelves
- Keys x 2
- Instruction Manual

POLAR prides itself on quality and service, ensuring that at the time of packaging the contents are supplied fully functional and free of damage.

Should you find any damage as a result of transit, please contact your POLAR dealer immediately.

## Installation



**Note: If the unit has not been stored or moved in an upright position, let it stand upright for approximately 12 hours before operation. If in doubt allow to stand.**

1. Remove the appliance from the packaging. Make sure that all protective plastic film and coatings are thoroughly removed from all surfaces.
2. Maintain a distance of 20cm (7 inches) between the unit and walls or other objects for ventilation. **NEVER LOCATE NEXT TO OR NEAR A HEAT SOURCE.**



**Note: Before using the appliance for the first time, clean the shelves and interior with soapy water.**

3. Set the brakes on the castors to keep the appliance in position.

### Reversing the door (for DM075-A/DM076-A)

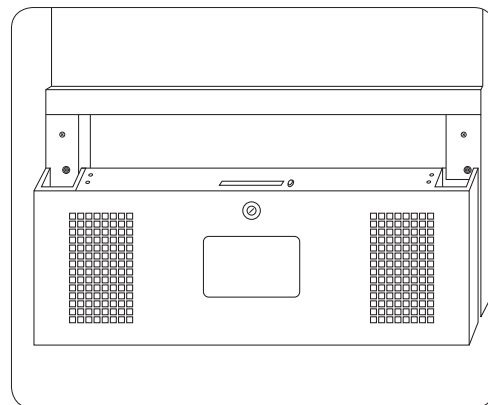
Depending on the location of the appliance, it may be necessary to change the direction the door opens by changing the side of the door handle.

To reverse the door handle:

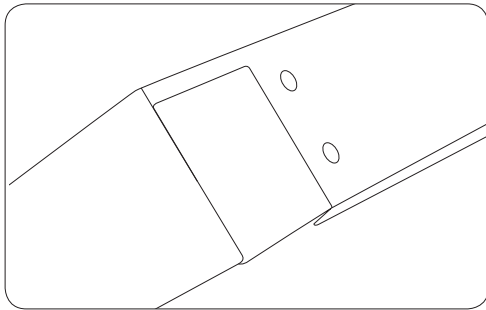
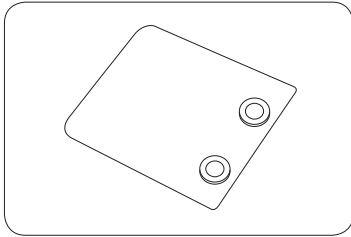
1. The door handle is on the left side.



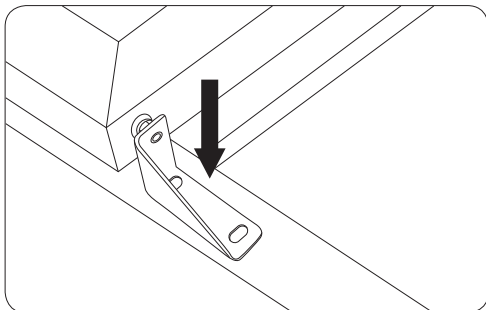
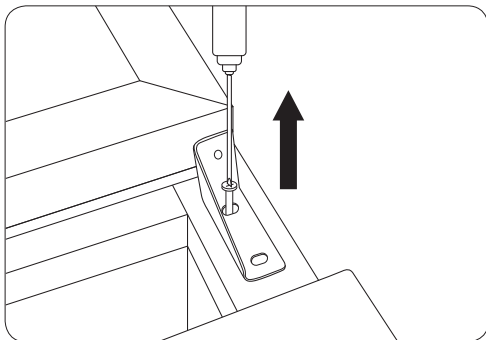
2. Disassemble the front panel.



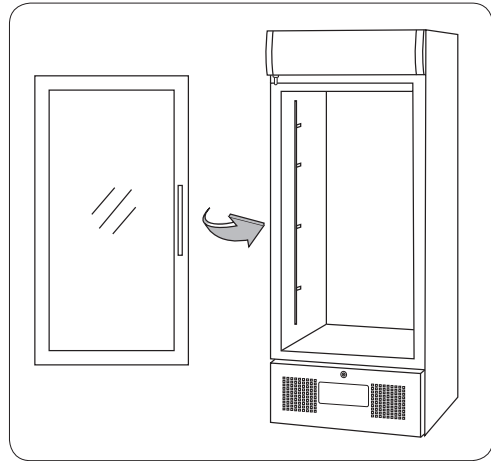
3. Cut the slot on the front panel and install the hinge inside.



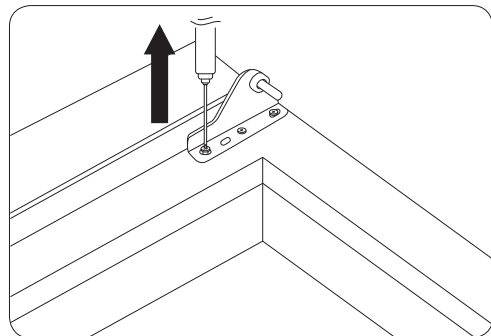
4. Disassemble the right lower hinge and install it on the left lower side.



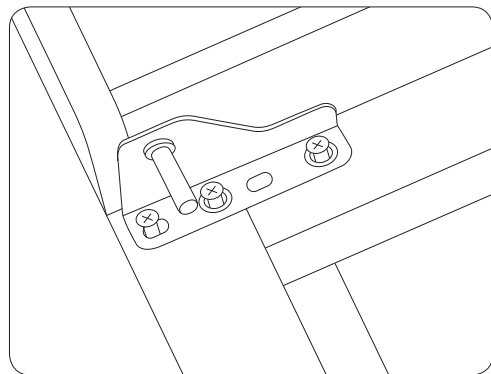
5. Reverse the door.



6. Disassemble the right upper hinge.



7. Install the left upper hinge.



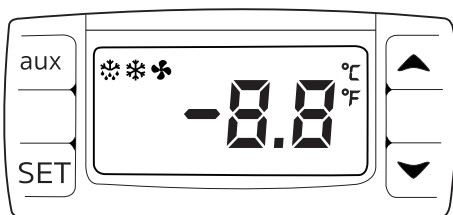
8. At last, install the front panel. Now the door handle is on the right side.



## Operation

### Control Panel

The control panel is located below the doors on the front of the appliance.



To unlock / Lock the keyboard press ▲ and ▼ together for 3 seconds. Display will flash PON (unlocked) / POF (locked).

### Turn On

1. Close the door of the appliance.
2. Connect the appliance to a mains power supply.
3. Turn the light switches On [I] or Off [O] as desired.

### Set the Operating Temperature

1. Press the **SET** button. The display will flash.
2. Press the ▲ or ▼ buttons to display the required temperature.
3. Press the **SET** button to store the temperature.

### Manual Defrost

Press and hold the defrost button "aux" for 2 seconds to begin a manual defrost. The defrost light illuminates.

### Storing Food

To get the best results from your POLAR appliance, follow these instructions:

- Only store foodstuffs in the appliance when it has reached the correct operating temperature.
- Do not place uncovered hot food or liquid inside the appliance.
- Wrap or cover food where possible.
- Do not obstruct the fans inside the appliance.
- Avoid opening the doors for prolonged periods of time.

### Lock/Unlock the Doors

- A lock is fitted to the door to ensure foodstuffs are kept secure within your POLAR appliance.
- Use the keys provided to lock/unlock the door.

## Cleaning, Care & Maintenance



**Switch off and disconnect from the power supply before cleaning.**

- Clean the interior of the appliance as often as possible.
- Do not use abrasive cleaning agents. These can leave harmful residues.
- Clean the door seal with warm soapy water.
- Always wipe dry after cleaning.
- Do not allow water used in cleaning to run through the drain hole into the evaporation pan.
- Take care when cleaning the rear of the appliance. Sharp edges can cut.
- A POLAR agent or qualified technician must carry out repairs if required.

### Replacing the Interior Lamp



**WARNING: Allow the lamp to cool before replacing. The lamp remains hot immediately after use.**

1. Turn Off and disconnect the appliance from the mains power supply.
2. Unscrew the plastic lamp cover.
3. Remove the lamp by twisting it from the lamp sockets.
4. Insert the new lamp and replace the cover.

### Cleaning the Condenser

Periodically cleaning the condenser can extend the life of the appliance.

POLAR recommend that a POLAR agent or qualified technician clean the condenser.

## Troubleshooting

If your POLAR appliance develops a fault, please check the following table before making a call to the Helpline or your POLAR dealer.

Fault	Probable Cause	Solution
The appliance is not working	The unit is not switched on	Check the unit is plugged in correctly and switched on
	Plug and lead are damaged	Call POLAR agent or qualified Technician
	Fuse in the plug has blown	Replace the fuse
	Power supply	Check power supply
	Internal wiring fault	Call POLAR agent or qualified Technician

Fault	Probable Cause	Solution
The appliance turns on, but the temperature is too high/low	Too much ice on the condenser	Defrost the appliance
	Condenser blocked with dust	Call POLAR agent or qualified Technician
	Doors are not shut properly	Check doors are shut and seals are not damaged
	Appliance is located near a heat source or air flow to the condenser is being interrupted	Move the refrigerator to a more suitable location
	Ambient temperature is too high	Increase ventilation or move appliance to a cooler position
	Unsuitable foodstuffs are being stored in the appliance	Remove any excessive hot foodstuffs or blockages to the fan
	Appliance is overloaded	Reduce the amount of food stored in the appliance
	Factory default parameters adjusted	Call POLAR agent or qualified Technician
The appliance is leaking water	The appliance is not properly levelled	Adjust the screw feet to level the appliance (if applicable)
	The discharge outlet is blocked	Clear the discharge outlet
	Movement of water to the drain is obstructed	Clear the floor of the appliance (if applicable)
	The water container is damaged	Call POLAR agent or qualified Technician
The appliance is unusually loud	Loose nut/screw	Check and tighten all nuts and screws
	The appliance has not been installed in a level or stable position	Check installation position and change if necessary
The display lamp does not illuminate	Lamp needs replacing	Call POLAR agent or qualified Technician

## Technical Specifications

Model	Voltage	Power	Current	Temperature Range	Capacity (Litres)	Refrigerant	Dimensions H x W x D mm	Weight (kg)
<b>CD984-A</b>	230V 50Hz	550W	4A	2°C to 8°C	944	R290 110g	2050 x 1200 x 710	204
<b>DM076-A</b>	230V 50Hz	340W	2A	2°C to 8°C	336	R600a 78g	1900 x 620 x 570	134
<b>DM075-A</b>	230V 50Hz	240W	1.5A	2°C to 8°C	218	R600a 78g	1610 x 530 x 575	124



## Electrical Wiring

The plug is to be connected to a suitable mains socket.

This appliance is wired as follows:

- Live wire (coloured brown) to terminal marked L
- Neutral wire (coloured blue) to terminal marked N
- Earth wire (coloured green/yellow) to terminal marked E

This appliance must be earthed.



If in doubt consult a qualified electrician.

Electrical isolation points must be kept clear of any obstructions. In the event of any emergency disconnection being required they must be readily accessible.

## Compliance

The product must not be disposed of as household waste. To help prevent possible harm to human health and/or the environment, the product must be disposed of in an approved and environmentally safe recycling process. For further information on how to dispose of this product correctly, contact the product supplier, or the local authority responsible for waste disposal in your area.

POLAR parts have undergone strict product testing in order to comply with regulatory standards and specifications set by international, independent, and federal authorities.



POLAR products have been approved to carry the following symbol:

**All rights reserved. No part of these instructions may be produced or transmitted in any form or by any means, electronic, mechanical, photocopying, recording or otherwise, without the prior written permission of POLAR.**

**Every effort is made to ensure all details are correct at the time of going to press, however, POLAR reserve the right to change specifications without notice.**

# DECLARATION OF CONFORMITY

<b>Equipment Type</b>	Display Refrigerator - 218Lt Display Refrigerator - 336Lt Refrigerated Double Door Display Cooler - 944Ltr
<b>Model</b>	DM075-A DM076-A CD984-A
<b>Legislation</b>	<b>Electrical Safety</b> <b>Electromagnetic Compatibility</b>
<b>Standards</b>	AS/NZS 60335.1:2011 +A1:2012 +A2:2014 +A3:2015 +A4:2017 AS/NZS 60335.2.89:2010 +A1:2013 +A2:2016 EN55014-1:2017 EN55014-2:2015 EN61000-3-2:2014 EN61000-3-3:2013
<b>Producer Name</b>	Polar
<b>Producer Address</b>	15 Badgally Road, Campbelltown, NSW 2560

---

I, the undersigned, hereby declare that the equipment specified above conforms to the above Legislation and Standard(s).

<b>Date</b>	7 <sup>th</sup> May 2019
<b>Signature</b>	
<b>Full Name</b>	Ashley Hooper
<b>Position</b>	Technical & Quality Manager/ Responsible Supplier





<http://www.polar-refrigerator.com/> 

CD984-A\_DM075-A\_DM076-A\_A5\_v5\_20190510