

# SILO



## S130

Ice Bin for Modular Ice Machines

SKOPE®

ITV  
ICE makers

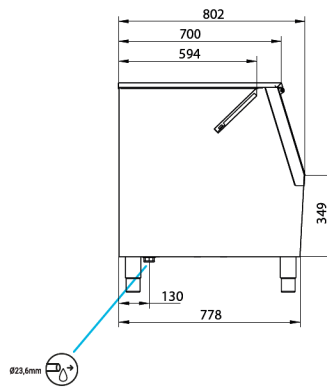
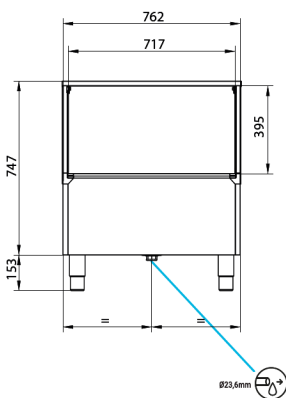


### Features



- 160kg ice storage capacity
- Strong solid AISI 304 stainless steel box-type frame
- Very hard sanitary polythylene vat, resistant to blows and scratches
- Easy cleaning design: seamless one-piece vat with rounded corners, avoiding possible dirty points and facilitating cleaning
- Drainage system that collects and drives the water to the drain keeping the bin clean and dry

### Machine Specifications



<b>Machine dimensions</b>	762 x 819 x 740mm/900 with legs
<b>Packed dimensions</b>	860 x 790 x 870mm
<b>Weight</b>	52kg
<b>Floor area</b>	0.59m <sup>2</sup>
<b>Storage bin capacity</b>	160kg

### Supplied Accessories



Drain Hose



Drainage Elbow



Large Scoop



4 Height Adjustable Leg Kit

### Water Filter

A Watermark approved\* water filter, suitable for the water type at the place of installation must be used. SKOPE can provide a water filter that protects the Ice Maker, and ensures proper function and high quality ice production. Service or repair due to absence of a suitable water filter will not be covered by SKOPE warranty. Contact SKOPE for more information.

\*Watermark approval is only applicable to Australian installations.

Elsewhere, a suitable water filter must be used.