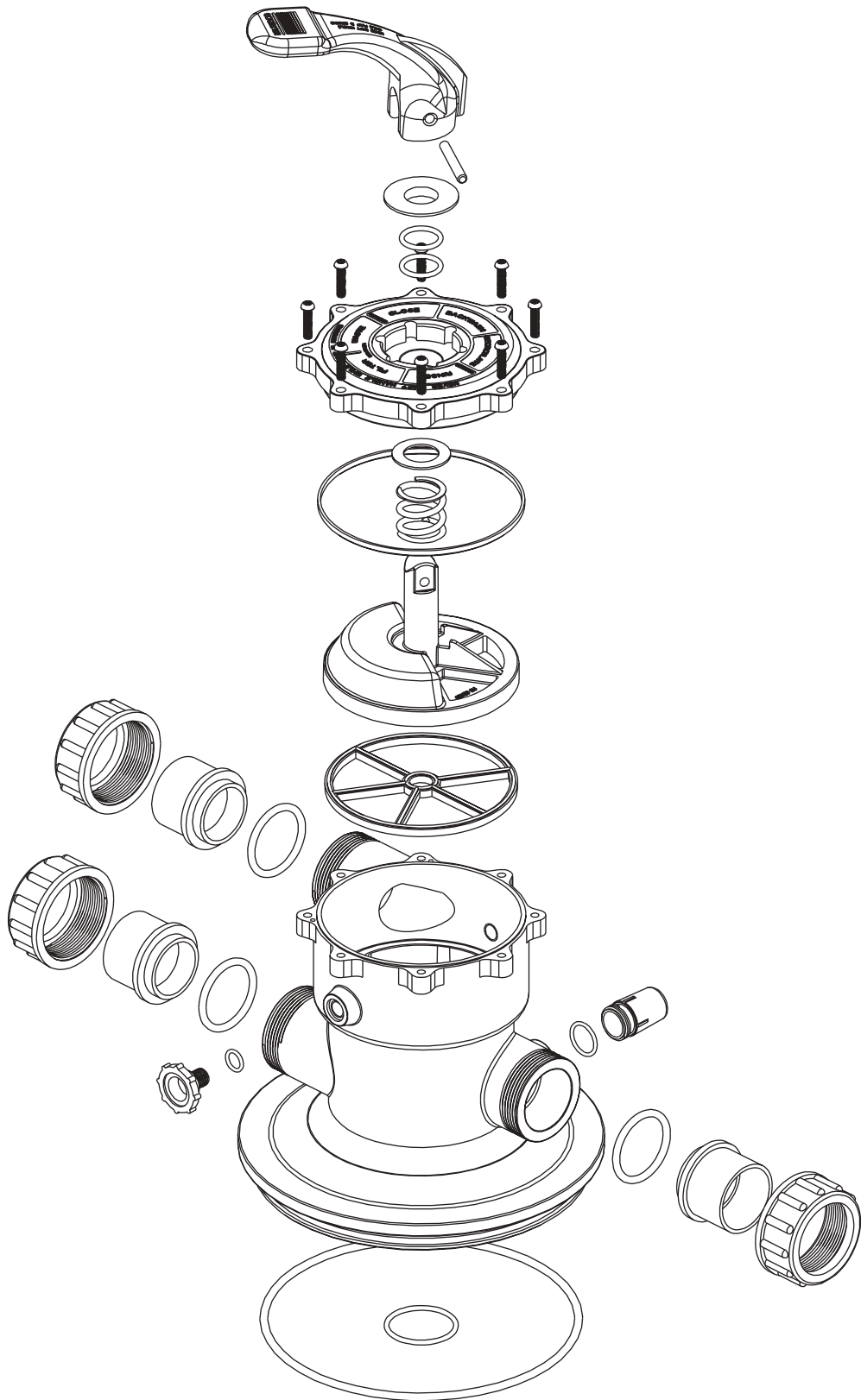


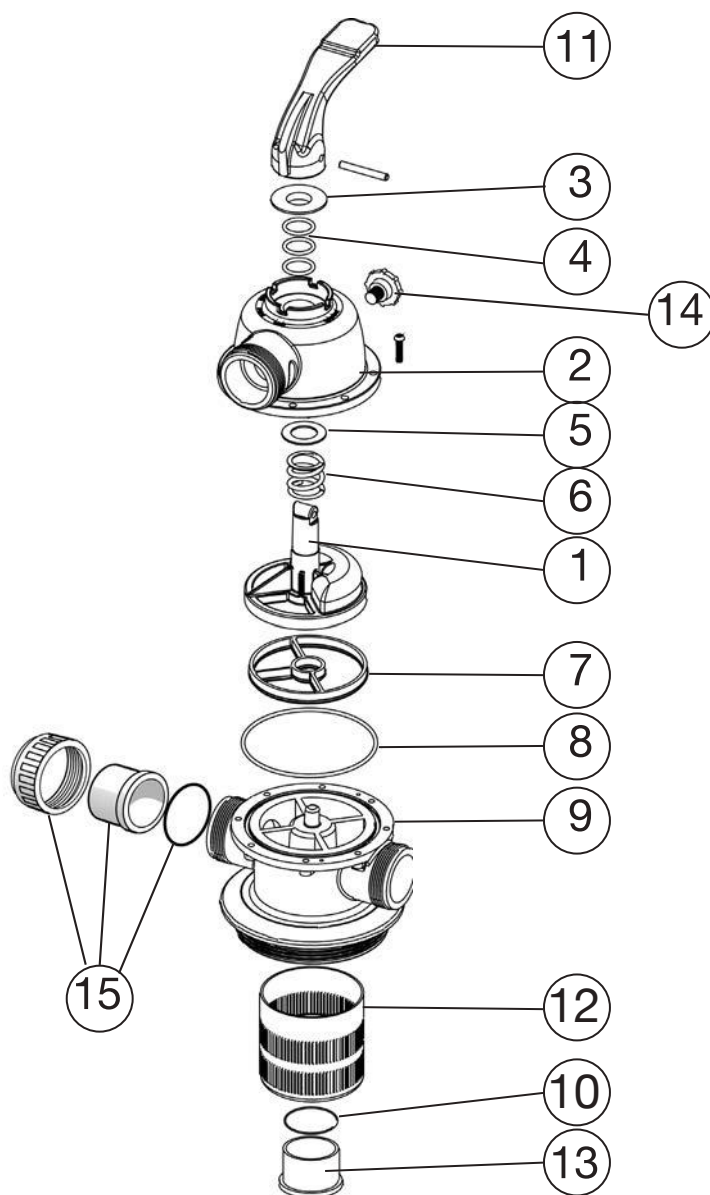
WATERCO

Spare Parts Catalogue



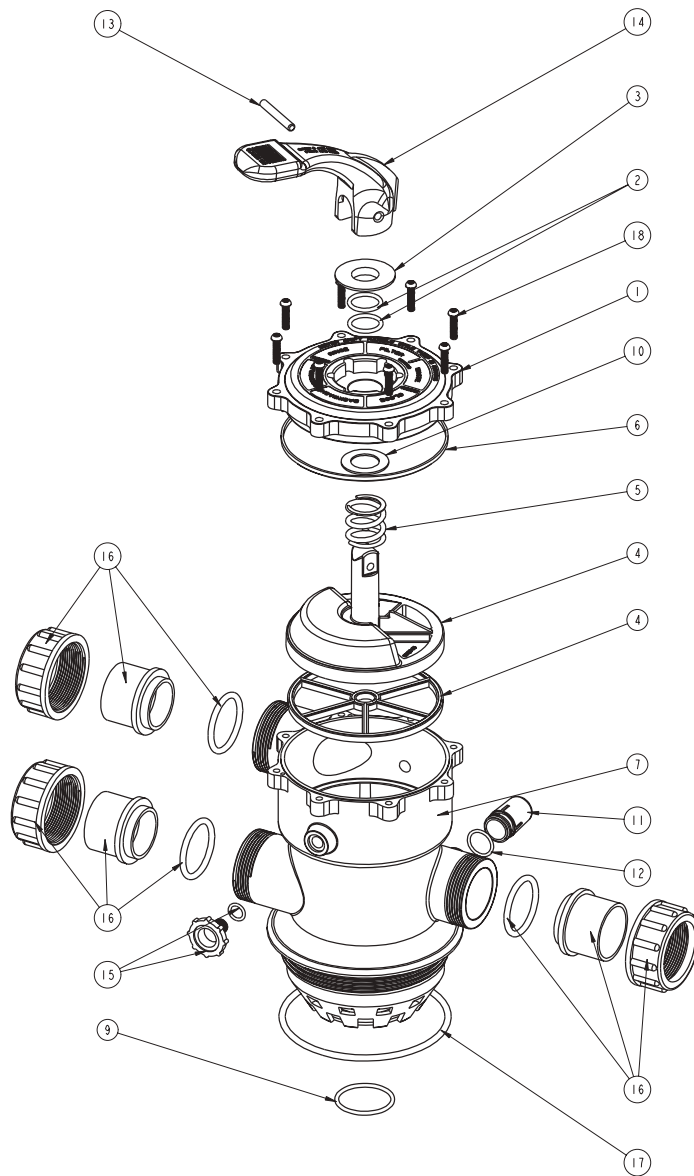
4 Way Multiport Valve - 1 1/2" / 50mm

Part Number	Product Description	Diagram No.
621486	Rotor with Spider gasket	1, 7
621480	MPV 4 way top cover	2
6214520	Teflon ring	3
621457	Axle o ring - BS214 (3 required)	4
621455	Teflon spring washer	5
621487	Spring	6
621475	MPV 4 way spider gasket	7
621479	Top cover o ring	8
6214661	Body	9
621473	Sleeve o ring 4 way MPV	10
6214511	Handle	11
W02688	Diffuser 4 Way MPV 40mm	12
W02689	Sleeve 4 Way MPV 40mm	13
620221	Air Release Valve With O-Ring	14
122243B	1/2" Half Union (3 Required)	15
122245B	50mm Metric Half Union (3 Required)	15



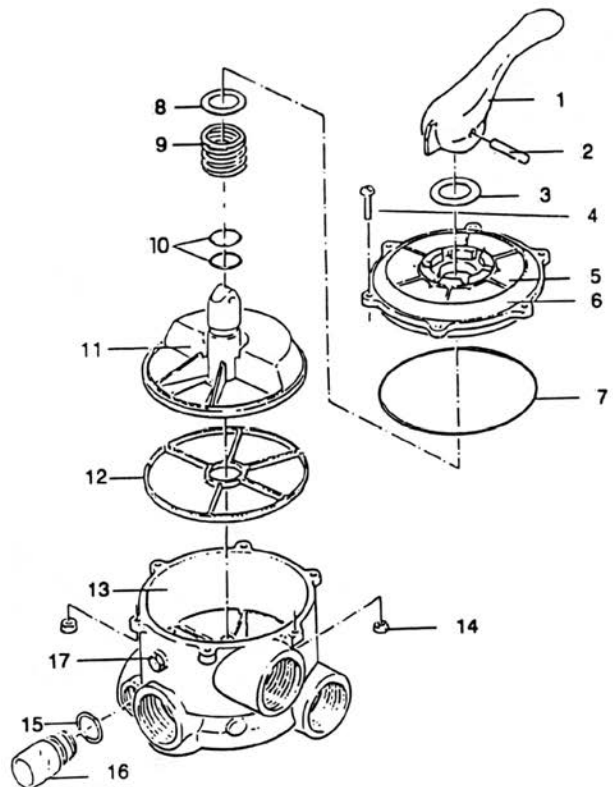
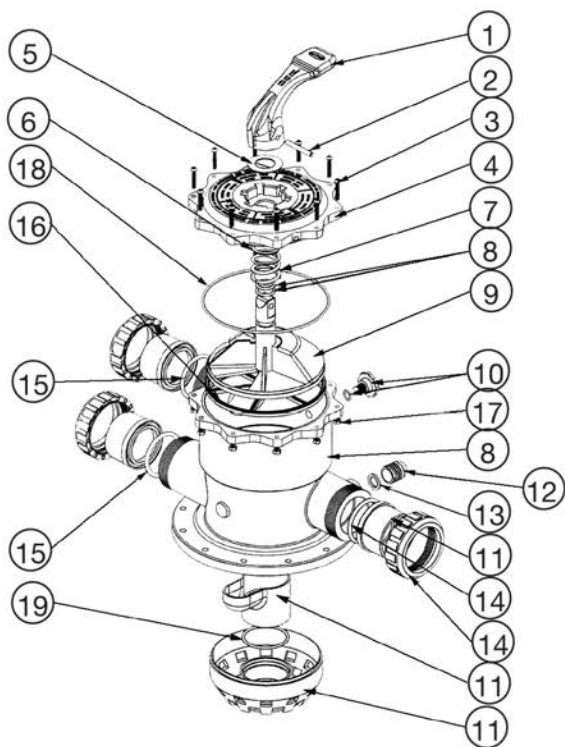
6 Way Multiport Valve 1 1/2" / 50mm

Part Number	Product Description	Diagram No.
6214672	1 1/2" 6 way Top Cover MK2 (English Only)	1
621457	Axle o ring (2 required)	2
6214520	Teflon ring MK3 WCO	3
6214582	Rotor Glued With Gasket	4
621456	Spring	5
621454	Top cover gasket	6
621441	TM Body Assembly (body, diff, adaptor, O ring)	7
W02691	O Ring AS225	9
621455	Valve Teflon Ring 1 1/2"	10
621463	Sight glass	11
621462	Sight glass gasket	12
621111	Handle pin	13
6214511	Handle Waterco	14
620221	Air relief Valve Black	15
122243B	1 1/2" Half union (3 required)	16
122245B	50mm Half union (3 required)	16
W02068	Top Cover O Ring	17
W022567	Bolt M6 x 35mm	18



6 Way Multiport Valve 2" / 63mm

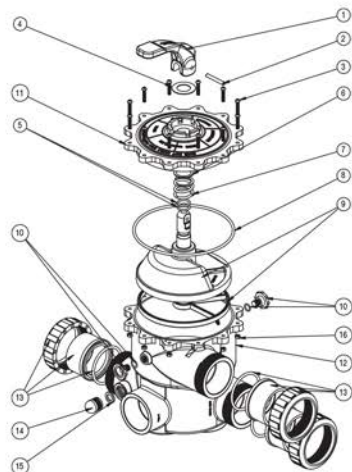
Part Number	Product Description	Diagram No.
621451	Handle	1
621111	Handle Pin	2
62137	Top Cover Bolts (Set of 10)	3
6211303	Top Cover	4
W02627	Teflon Washer	5
W02628	Teflon Spring Washer	6
621181	Spring	7
621201	Valve Axle o ring (2 required)	8
621455	Rotor	9
620221	Air Release Valve & O Ring	10
621302	Body - inc spider gasket (Top Mount)	11
621381	Sight glass	12
621341	Sight glass gasket	13
634024	2" Half union	14
63402400	63mm European metric half union	14
W02280	2" union o ring	15
621261	Spider gasket (black)	16
62135	Top cover nuts (set of 10)	17
621151	Top cover O Ring	18
621320	Centre Stem O Ring	19
W02571	Valve plate tank gasket	n/s



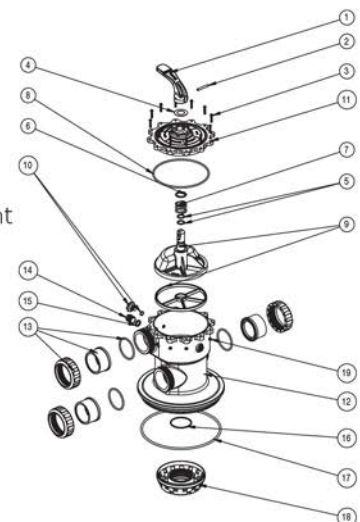
6 Way Multiport Valve 2 1/2" / 75mm

Part Number	Product Description	Diagram No.
2 1/2" (75mm) Waterco Valve Side Mount		
6214511	Handle	1
621111	Handle Pin	2
W12109	Bolt M6 x 32mm S/S 304	3
W02627	Rotor Washer	4
621201	Valve Axle O Ring	5
W02628	Teflon Spring Washer (3 Required)	6
621182	Spring	7
621152	Lid O Ring	8
621233	Rotor and Gasket	9
620221	Air release Valve (c/w O Ring) - Black	10
620193	Air release Valve O Ring - BS112	10
6211302	Lid	11
63406554	Half Union O Ring - BS338	13
644492	2 1/2" / 3" Half Union c/w O Ring	13
644493	75mm / 90mm Half Union c/w O Ring	13
621381	Sight Glass	14
621341	Sight Glass Gasket	15
W02624	Lid Nut M6	16
12780	3" Coupling	n/s
127800	90mm Coupling	n/s
6213021	MPV SM65mm Body	12
2 1/2" (75mm) Waterco Valve Top Mount		
6214511	Handle	1
621111	Handle Pin	2
W12109	Screw M6 x 30mm	3
W02627	Rotor Washer (2 Required)	4
621201	Valve Axle O ring (2 required)	5
W02628	Teflon Spring Washer	6
621182	Spring	7
621152	Lid O Ring	8
621233	Rotor and Gasket	9
620221	Air release Valve (c/w O Ring) - Black	10
6211302	Lid	11
644492	2 1/2" / 3" Half Union c/w O Ring	13
644493	75mm / 90mm Half Union c/w O Ring	13
63406554	Half Union O Ring - BS338	13
621381	Sight Glass	14
621341	Sight Glass Gasket	15
6340113	Centre Pipe O Ring	16
62027	O Ring (Neck) - BS452	17
12780	3" Coupling	n/s
127800	90mm Coupling	n/s
6213045	Diffuser	18
W02624	Nut	19
6213040	MPV Body	12

75mm Side Mount

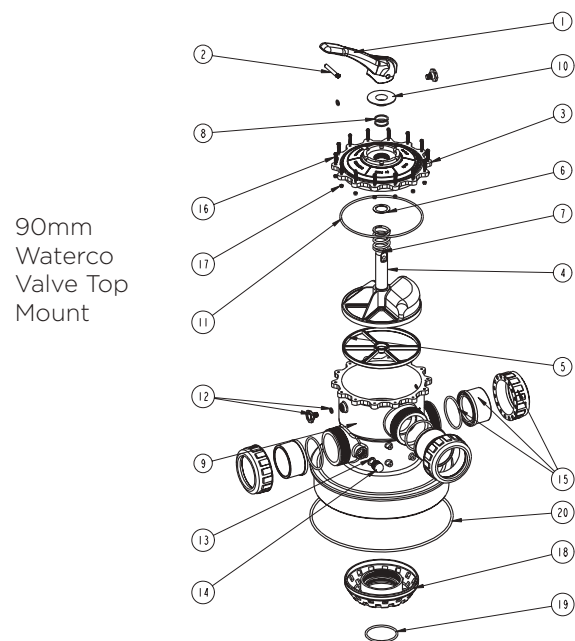
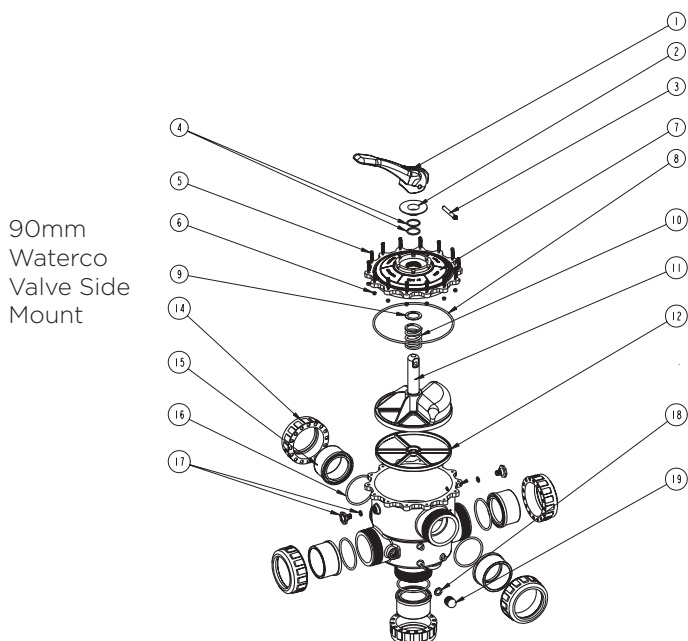


75mm Top Mount



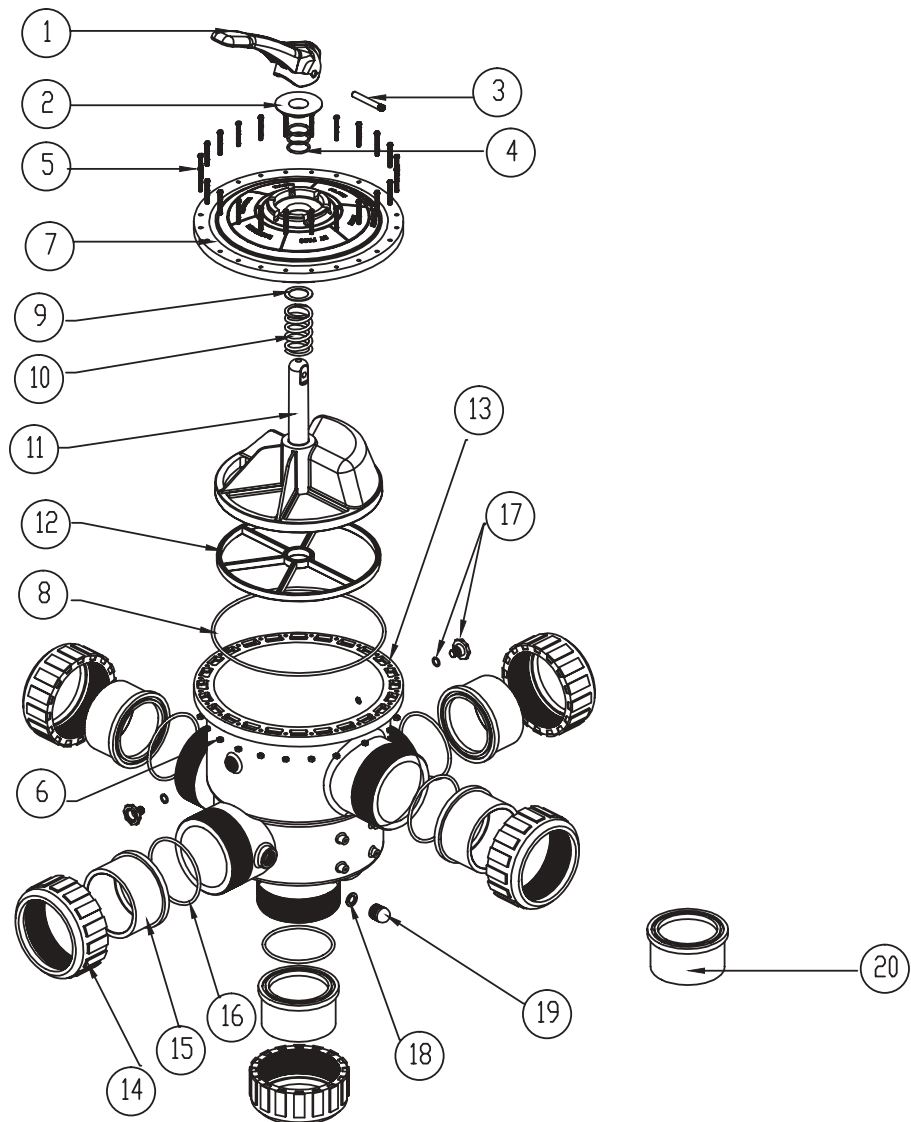
6 Way Multiport Valve 3" / 90mm

Part Number	Product Description	Diagram No.
3" Waterco Valve Side Mount		
621100	Handle	1
621193	Sleeve	2
6211020	Handle Pin	3
621202	Axle O Ring (2 required)	4
W12109	Bolt M6x32mm S/S 304	5
W02624	Nut M6	6
6211310	Lid Printed	7
621142	Lid O Ring - G245	8
6211060	Washer	9
621192	Spring 3"	10
621243	Rotor	11
621272	Spider Gasket	12
634080BLK	Half union with nut & o-ring 3" - Imperial	14-16
634080EBLK	Half union with nut & o-ring 90mm - metric	14-16
620221	Air Release Valve with O Ring	17
621341	Sight Glass Gasket	18
621381	Sight Glass	19
6213021	MPV SM65mm Body	12
3" Waterco Valve Top Mount		
621100	Handle	1
6211020	Handle Pin	2
6211310	Lid Printed	3
621243	Rotor	4
621272	Spider Gasket	5
6211060	Washer	6
621192	Spring 3"	7
621202	Axle O Ring (2 required)	8
621193	Sleeve	10
621142	Lid O Ring	11
620221	Air Release Valve with O Ring	12
621341	Sight Glass Gasket	13
621381	Sight Glass	14
634080BLK	Half union with nut & o-ring 3" - imperial	15
634080EBLK	Half union with nut & o-ring 90mm - metric	15
W12109	M6 x 32mm	16
W02624	Lid Nut M6	17
621194	Centre Stem (Diffuser) O Ring - P90	19
W12305	Neck Ring O Ring	20
621292	MPV TM 80mm Body	9
621013	Diffuser	18



Multiport Valve 4" / 110mm

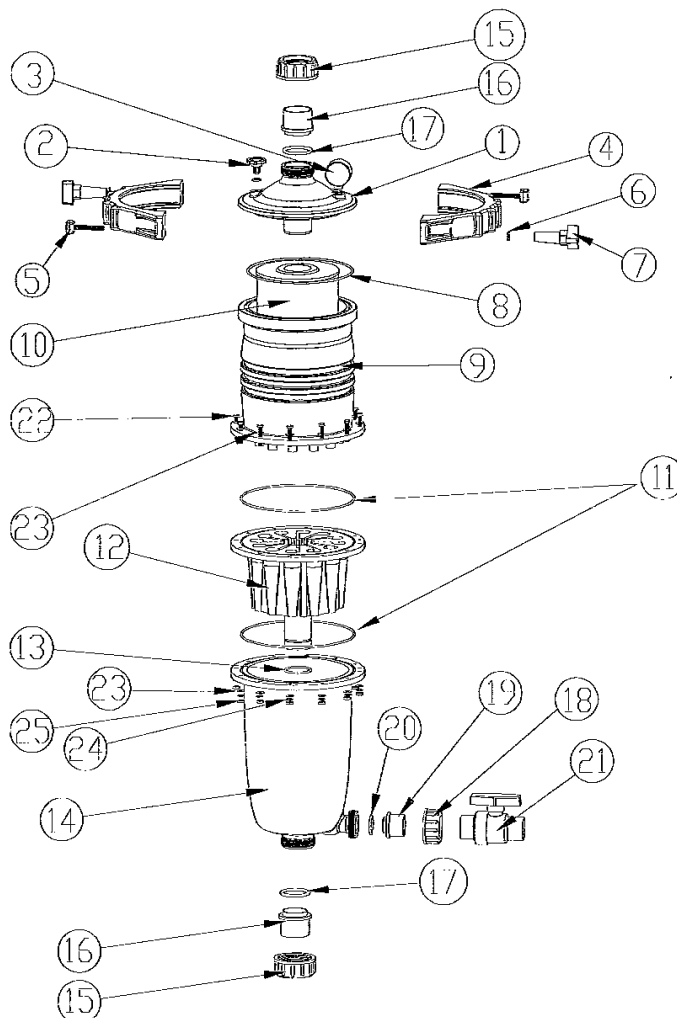
Part	Product Description	Diagram No.
621100	MPV Handle	1
621193	MPV handle Sleeve	2
6211020	MPV Handle Pin	3
621202	Axel o-ring (2 required)	4
W12781	Bolt M6 x 50mm Hex Head SS304	5
W02624	MPV 50mm Lid Nut M6 x 30 W	6
6211028	MPV 110mm Lid Printed	7
62110110	MPV 110mm Lid o-ring	8
6211060	MPV Washer	9
62110150	MPV 110mm Spring	10
62110220	MPV 110mm Rotor	11
62110130	MPV 110mm Spider Gasket	12
6211029	MPV SM110mm Body	13
6340801	Half Union 110mm Black imperial size 4"	14,15,16
12221009	B/U Lock Nut 110mm Blk	14
12221011	B/U Plain End 110mm Blk	15
W02553	O-Ring 110mm B/U Nitrile	16
620221	Air Relief Valve (c/w o-ring) - black	17
621341	MPV 50mm Sight Glass Gasket	18
621381	MPV 50mm Sight Glass	19
12221008	B/U P/End Slip / Slip 110 Metric Blk	15



MultiCyclone 12 Plus / Ultra Cartridge Filter

Part Number	Product Description	Diagram No.
613140	Multicyclone Collector 40mm Clamp Type	1
620221	Air Relief Tap	2
6220202	Clamp Band (Qty 2 required)	4
622203	Screw Overmolded M8 x60 S/S A2 Hex Bolt (qty req. 2)	5
W22280	Washer Flat M8 Brass (Qty req. 2)	6
W02195TLJ	DE Knob w B/106 head (Qty req. 2)	7
W12612	O' Ring 4 x 200	8
61310	M/Cyclone Cartridge Housing MC12 (Plus)	9
61327	M/Cyclone Cartridge Housing MC12 (Ultra)	9
62451	M/Cyclone Plus Cartridge Element 40 sq ft (Plus)	10
62453	M/Cyclone ultra Cartridge Element 75 sq ft (Ultra)	10
61308	Body Ring 'O' Ring BS268 (Qty req. 2)	11
61317	Multicyclone separator MC12 Plus/Ultra	12
S061451	O' Ring ID 1.75" x 2" DD (BS224)	13
61312	M/cyclone Sediment Bowl 40mm	14
122243B	1.5" Half union (imperial)	15,16,17
122245B	50mm Half union (metric)	15,16,17
1222252	25mm/1" half union	18,19,20
140252	Compact Ball Valve	21
W12984	Bolt M6 x 45mm Hex Head SS304 (Qty req. 12)	22
W12782	washer M6 flat SS304 (Qty req. 24)	23
W12783	Washer M6 Spring SS304 (Qty req. 12)	24
6340062	Nut Hex M6 S/S304 (Qty req. 12)	25

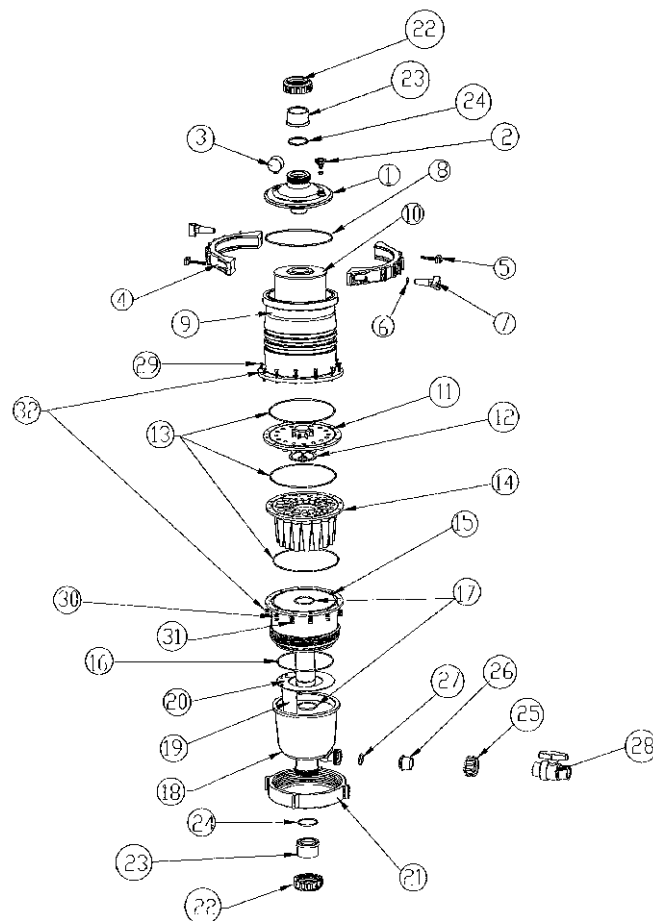
For pressure gauges - see page 16 of main price list



MultiCyclone 16 Plus / Ultra Cartridge Filter

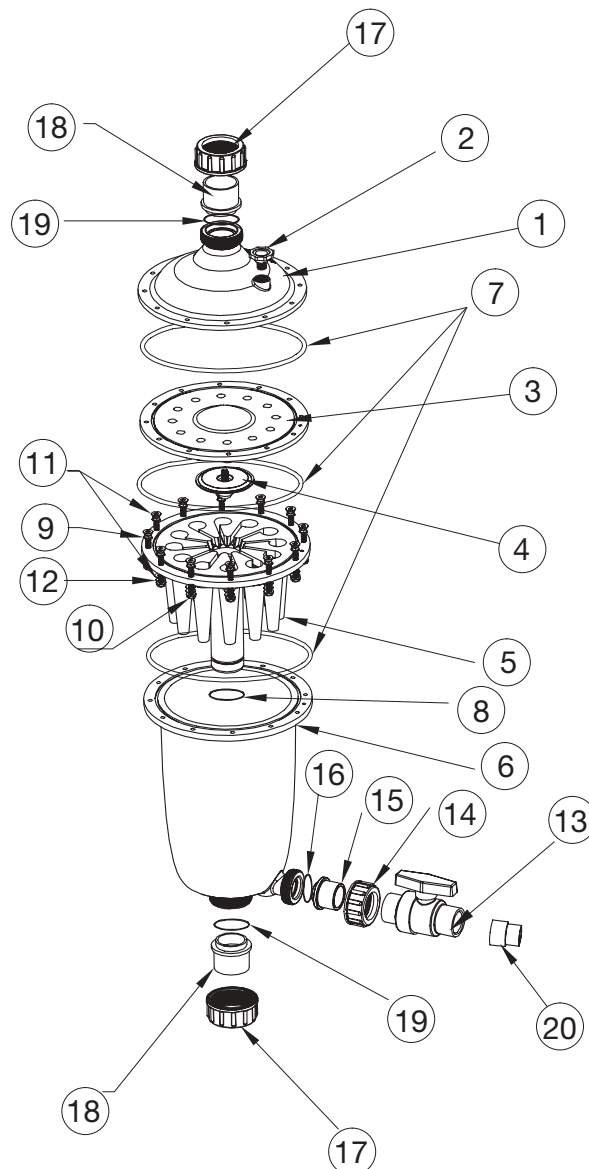
Part Number	Product Description	Diagram No.
613150	Multicyclone Collector 50mm Clamp Type	1
620221	Air Relief Tap	2
6220202	Clamp Band (Qty req. 2)	4
622203	Screw Overmolded M8 x60 S/S A2 Hex Bolt (qty req. 2)	5
W22280	Washer Flat M8 Brass (Qty req. 2)	6
W02195TLJ	DE Knob w B/106 head (Qty req. 2)	7
W12612	O' Ring 4 x 200	8
61311	M/Cyclone Cartridge Housing MC16 Plus	9
61326	M/Cyclone Cartridge Housing MC16 Ultra	9
62451	M/Cyclone Cartridge Element 40 sq ft MC16 Plus	10
62453	M/Cyclone ultra Cartridge Element 75 sq ft MC16 Ultra	10
W22281	MC Manifold plate	11
W12972	MC16 flow director	12
61308	Body Ring 'O' Ring BS268 (Qty req. 3)	13
61303	M/Cyclone Separator	14
61300	M/Cyclone Se MC16 Body (grey)	15
61307	O ring BS263	16
W02469	O ring main drain AS228	17
61302	M/cyclone Sediment Bowl	18
61305	MC partition	19
61306	MC baffle ring	20
62024BLK	Lockring - black	21
6340245	2" Half union connection (imperial)	22,23,24
63402400	63mm Half union connection (metric)	22,23,24
1222252	1"/25mm Half union connection	25,26,27
140252	Compact Ball Valve	28
W12984	Bolt M6 x 45mm Hex Head SS304 (Qty req. 12)	29
W12783	Washer M6 Spring SS304 (Qty req. 12)	30
6340062	Nut Hex M6 (Qty req. 12)	31
W12782	Washer M6 Falt SS304 (Qty req. 24)	32

For pressure gauges - see page 16 of main price list



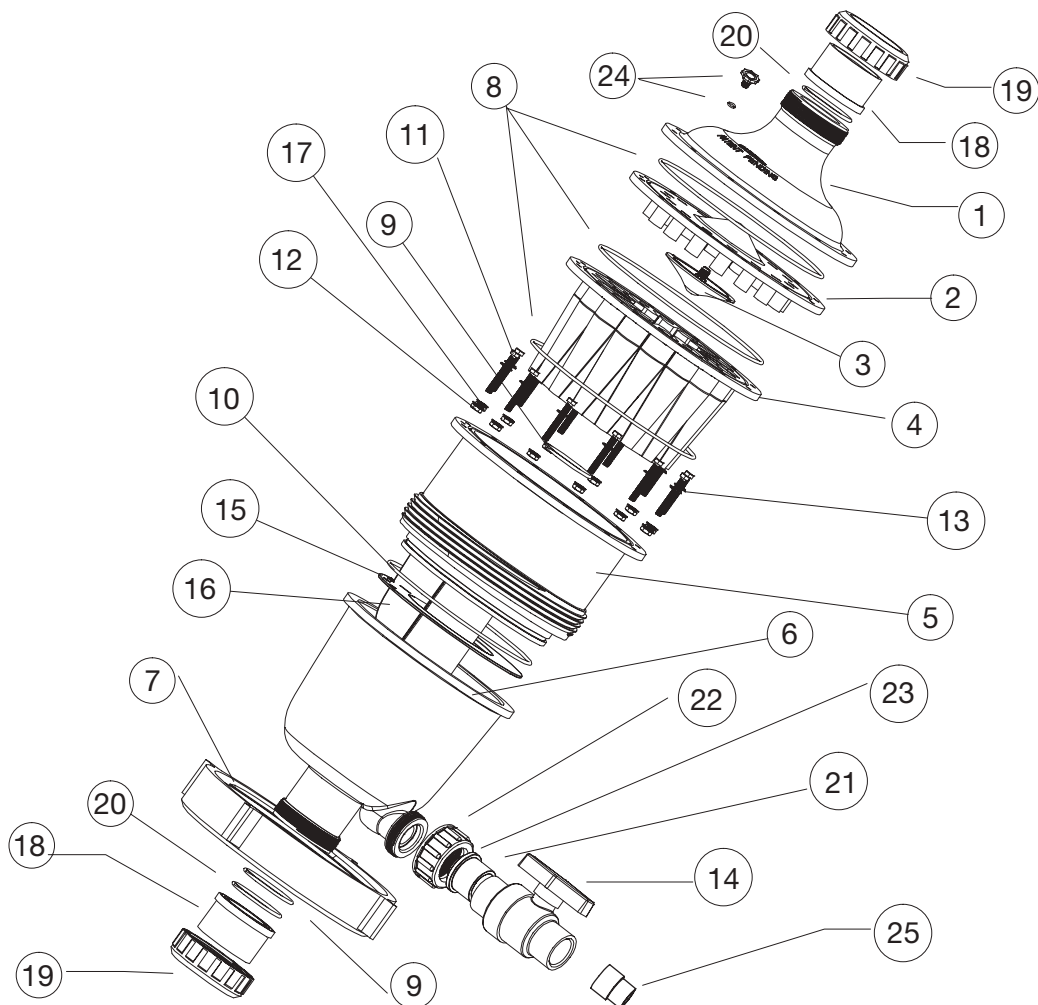
MultiCyclone 12 Centrifugal

Part Number	Product Description	Diagram No.
613130	Multicyclone Collector 40mm Blank	1
620221	Air Relief Value New Style Blk	2
W22282	Multicyclone Manifold Plate 12 Cyclone 40mm	3
W22283	Multicyclone Flow Director 40mm	4
61317	MultiCyclone Body 40mm 12 Cyclone	5
61312	MultiCyclone Sediment Bowl 40mm	6
61308	Body 'O' Ring BS268 3 per filter	7
S0614511	Body 'O' Ring BS224	8
W12781	Bolt M6 x 50mm Hex Head SS304 12 per filter	9
6340062	Nut Hex M6 Brass Nickle Plated 12 per filter	10
W12782	Washer M6 Flat SS304 24 per filter	11
W12783	Washer M6 Spring SS304 12 per filter	12
140252	Compact Ball Valve 25mm Black	13
1222256	B/U Lock Nut 25mm Black	14
1222253	B/U P/End Slip/Slip 25mm Black	15
644790	O Ring BS218	16
W02209BLK	B/U Locking Nut 50mm/1.5" Black	17
W02210BLK	B/U P/End Slip/Slip 1.5" imperial Black	18
64449B	B/U P/End Slip/Slip 50mm Metric Black	18
W02213 (6026)	O Ring 50mm B/U EPDM	19
622432	Adaptor 1" to 32mm Metric	20



MultiCyclone 16 Centrifugal

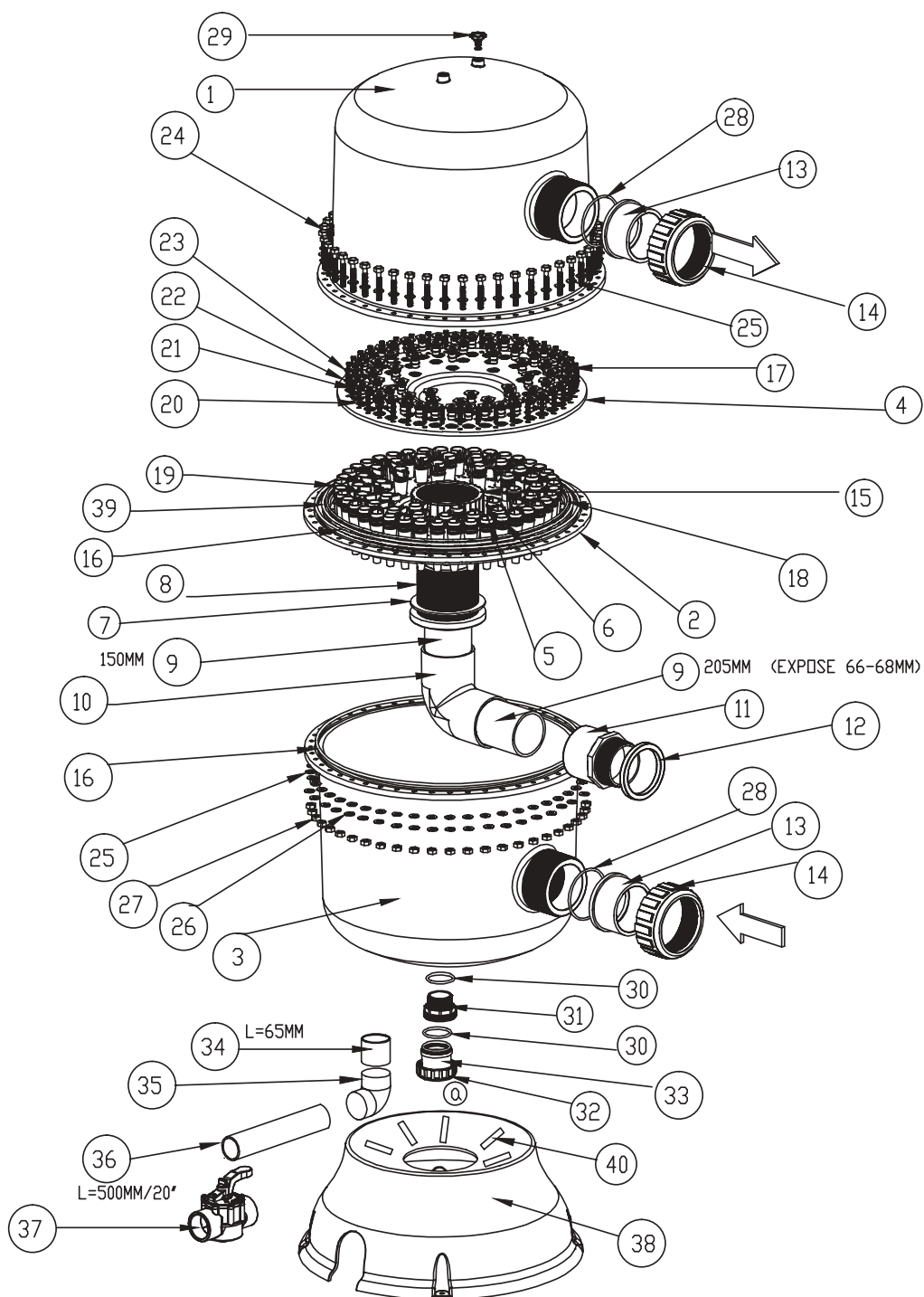
Part Number	Product Description	Diagram No.
613010	Multicyclone Collector Blank	1
61304	Multicyclone Manifold Plate Assembly	2 & 3
61303	MultiCyclone Separator	4
61300	Multicyclone Body	5
61302	Multicyclone Sediment Bowl	6
62024BLK	TCF Lock Ring Black	7
61308	O Ring BS268 3 per filter	8
W02469	O Ring AS228 2 per filter	9
61307	O Ring BS263	10
W12984	Bolt M6 x 45mm Hex Head SS304 12 per filter	11
6340062	Nut Hex M6 Brass Nickle Plated 12 per filter	12
W12782	Washer M6 Flat SS304 24 per filter	13
140252	Compact Ball Valve 25mm Black	14
61306	Multicyclone Baffle Ring	15
61305	Multicyclone Partition	16
W12783	Washer M6 Spring SS304 12 per filter	17
W02081BLK	B/U P/End Slip/Slip 2" imperial Black	18
6340244B	B/U P/End Slip/Slip 63mm Metric Black	18
W02647BLK	T/L Lock Nut 2"/63mm New Black	19
W02280	O Ring 2"/63mm B/U	20
1222253	B/U Plain End Slip/Slip 25mm Black	21
1222256	B/U Lock Nut 25mm Black	22
644790	O Ring BS218	23
620221	Air Relief Valve New Style Black	24
622432	O-Adaptor 1" to 32mm Metric Ring BS218	25



Multicyclone 70 XL Commercial

Part	Product Description	Diagram No.
W22729	Top Shell Multicyclone 4" Grey	1
W22732	Cyclone Plate Multicyclone 4" Grey	2
W22730	Bottom Shell Multicyclone 4" Grey	3
W22503	Manifold Plate Multicyclone 4"	4
W22505	Cone Cyclone Standard LH	5
W22504	Cone Cyclone Standard RH	6
W02539	Gasket 100mm Bulkhead	7
W22648	Bulkhead Body 100mm 4" L= 93mm	8
W02138	Pipe 100mm x 6M Grey	9
W34026	Elbow 100mm Black BS	10
W22543	Male Valve Socket 4" (JIS)	11
W22544	Rubber Washer 4" Cyclone	12
12221011	Barrel Union Plain End 4" imperial Black	13
12221008	Barrel union plain end 110mm - metric	13
12221006	Locking Nut 100mm 4" Multicyclone	14
12221007	Bulkhead Lock Nut 100mm Black	15
W44059	O-Ring Jointed Dia 9 4" Multicyclone L= 2020mm	16
W22508	Spigot Multicyclone 4"	17
W22629	O-Ring BS392	18
W22627	O-Ring 27* 2.0	19
W22628	O-Ring BS009	20
W22626	O-Ring 20* 2.0	21
W12782	Washer M6 Flat SS304	22
W22654	Hexagon Bolt M6 35 SS304	23
W22750	Screw Hex M10 x 110mm SS304	24
W22651	Washer M10 COD=30 Thickness 2.5 SS304	25
W22414	Spring Washer M10 SS304	26
W32488	Nut Hex Long M10 x 45mm Brass Ni/Plated	27
W02553	O-Ring 110mm B/U Nitrile	28
620221	Air Relief Valve New Style Blk	29
W02280	O-Ring 63mm B/U Nitrile	30
W02154BLK	B/U Threaded End Thrd/Thrd 63mm Black	31
W02647BLK	T/L Lock Nut 63mm New Black	32
W02081BLK	B/U P/End Slip / Slip 63mm Black	33
W02118	Pipe 63mm x 6M White	34
W22660	Elbow 90Deg 63mm Clear PVC	35
W22624	Pipe Clear PVC 63mm 3 Meter (SCH40)	36
14856	Waterco 63/75mm 2 Way Valve	37
W22509	Base Multicyclone 4"	38
W44058	O-Ring Jointed 4" Multicyclone L=1900mm	39
W01285	Butyl Tape 6 x 17mm x 10m	40

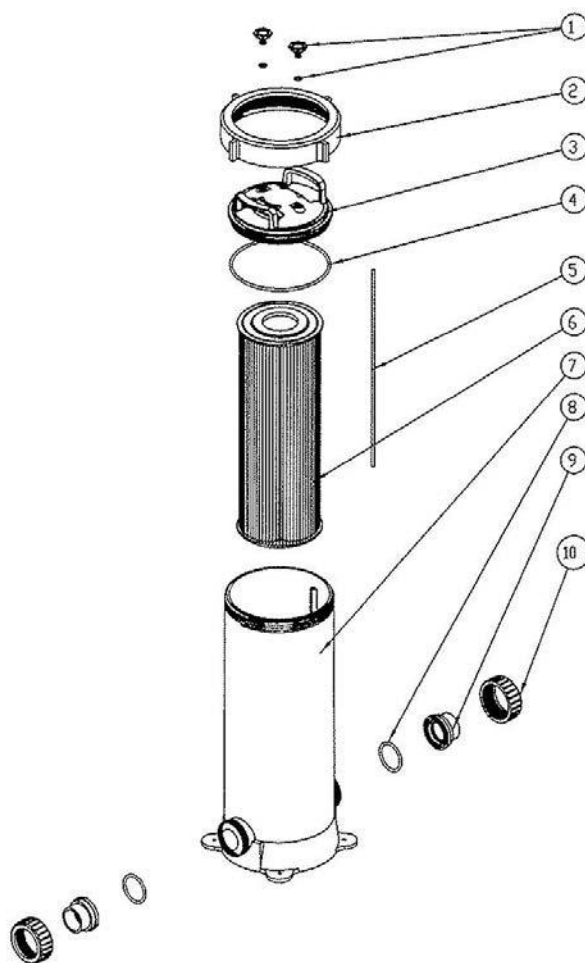
Multicyclone 70 XL Commercial



Trimline Cartridge Filters

Part Number	Product Description	Diagram No.
620221	Air release valve MK2	1
62024BLK	Lock ring Mk3 (5 threads)	2
62025 - 0501	Lid c/w o ring MK3 - Pewter colour 6 Bar	3
62026	Lid o ring MK3	4
W02547	Air bleed C25	5
W02548	Air bleed CC50	5
W02549 (17100)	Air Bleed CC50/CC75	5
W02550	Air bleed C75/CC100	5
62048	Cartridge CC50	6
62049	Cartridge CC75	6
62050	Cartridge CC100	6
62021	Lid O Ring MK2	3
W02541PEW	Body C25	7
W02542PEW	Body CC50	7
W02543PEW	Body C50/CC75	7
W02544PEW	Body C75/CC100	7
122256BLK	2" x 50mm Half union	8+9+10
122257BLK	1 1/2" / 2" Half union	8+9+10
W02280	Union o ring 1 1/2" / 2" MK2	8
6340246BLK	2" x 50mm Tail end	9
W2648BLK	1 1/2" x 2" tail end	9
W02647BLK	Lock nut	10

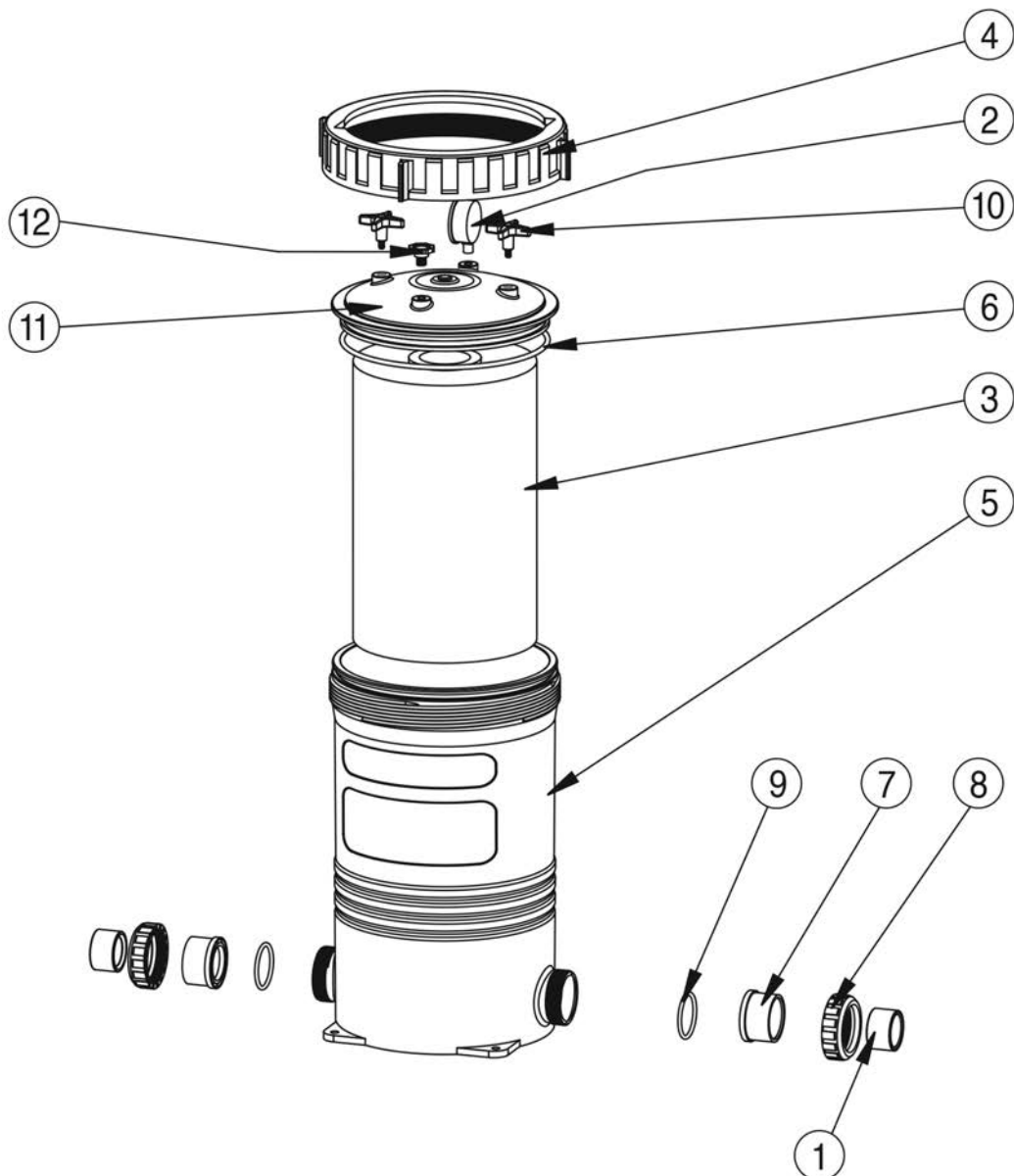
For pressure gauges - see page 16 of main price list



Opal Cartridge Filters

Part Number	Product Description	Diagram No.
12555BLK	Reducing bush 50 x 40mm Black	1
701033	Filter cartridge 120 sqft	3
701039	Filter cartridge 135 sqft	3
701034	Filter cartridge 150 sqft	3
701038	Filter cartridge 180 sqft	3
AXFI010	Opal tank lock ring	4
AXFI0120	Opal pewter tank only 3.5 bar	5
620271	ORING OPAL LID (P280 279.5 X 8.4)	6
AXFI014	Opal black union tail	7
AXFI016	Opal black lock ring	8
AXFI018	Opal union o'ring	9
AXFI168	Opal handle (2 per filter)	10
AXFI0083	Opal lid only (5mm smaller in diameter than AXFI081)	11
620221	Air relief valve	12

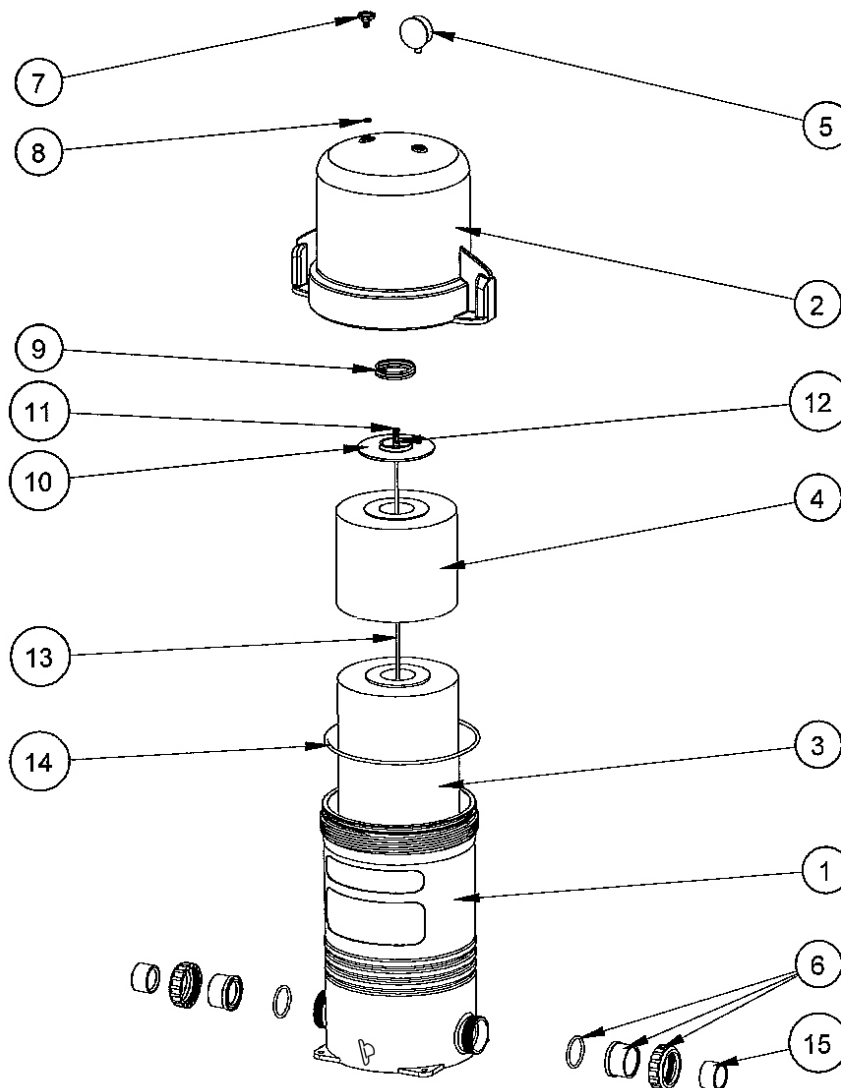
For pressure gauges - see page 16 of main price list



OPAL XL

Part Number	Product Description	Diagram No.
AXFI0121	Opal Tank PP Pewter	1
AXFI0087	Opal Top Housing 270	2
AXFI0085	Opal top housing 225	2
701038	Cartridge Element 180 sq.ft.	3
701041	Cartridge Element 90 sq.ft.	3
701040	Cartridge Element 225sq.ft.	3
AXFI014	Opal Union Tail Black 2" imperial	6
AXFI015	Opal union tail black 63mm metric	6
AXFI016	Opal Cartridge Union Lock Ring Black	6
AXFI018	O Ring Union Opal Cartridge	6
620221	Air Release Valve (with o-ring)	7+8
AXFI0089	Spring	9
8223502	Top Adaptor	10
W02289	Air relief Screen	11
85251	Gulfstream Plug	12
W22205	Air bleed for 225sq. ft	13
W22206	Air bleed opal 760 (270sq.ft.)	13
620272	'O' Ring BS 454	14
12555BLK	Reducing Bush 63mm/50mm	15
61216	Opal element joiner (for 270sq.ft. only)	N/S

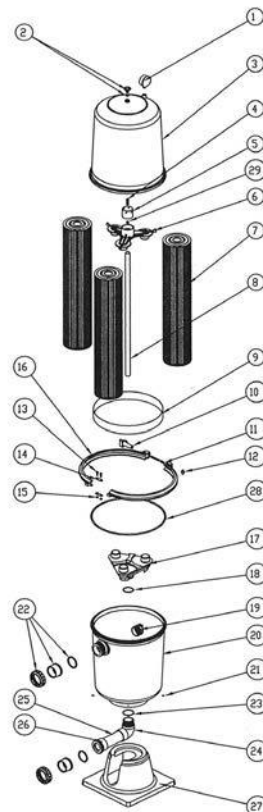
For pressure gauges - see page 16 of main price list



Fulflo Tri-Cartridge Filter

Part Number	Product Description	Diagram No.
620221	Air Release Valve	2
62233PEW	Tank Top Ultra High Dome	3
W02289	Air Relief Tube Screen	4
TBC	2" PVC Pipe	5
6220701	Adaptor M/Fold Tri-Cartridge	6
622810	Cartridge Element For TC300 (Qty 3 Needed)	7
622820	Cartridge Element For TC400 (Qty 3 Needed)	7
622830	Cartridge Element For TC500 (Qty 3 Needed)	7
TBC	20mm PVC Pipe	8
W01057	S/S Inner Band 40	9
W02195TLJ	DE Knob w.0.6" head dia. brass insert	10
W02201	M8 x 100 S/S Stud	11
W02202	Brass Lug	12
827000	Screw 1/4 x 1" Hex	13
822528	Connecting Link	14
829227	Nut 1/4" Nylock	15
822526Blk	Clamp Band Half - 2 req. per filter	16
6220700	Manifold Tri Cartridge	17
6220702	O Ring	18
62268	Inlet Baffle 50mm	19
822343PEW	Tank Body Ultra Bottom	20
W02641	Screw	21
634024Blk	Half Union with O Ring 2" imperial	22
W02083Blk	Union Lock Nut -2"/63mm	22
W02081Blk	Union Plain End 2" imperial	22
6340244B	Union Plain end 63mm	23
W02280	O Ring 2"/63mm	22
W02690	O Ring	23
822345Blk	F/Fld Bim Elbow 63mm	24
TBC	2" PVC Pipe	25
W02087Blk	B/Union Threaded End	26
62228	PP Supportor Base	27
62250	Tank Body O Ring	28
85251	Gulfstream Plug	29

For pressure gauges - see page 16 of main price list

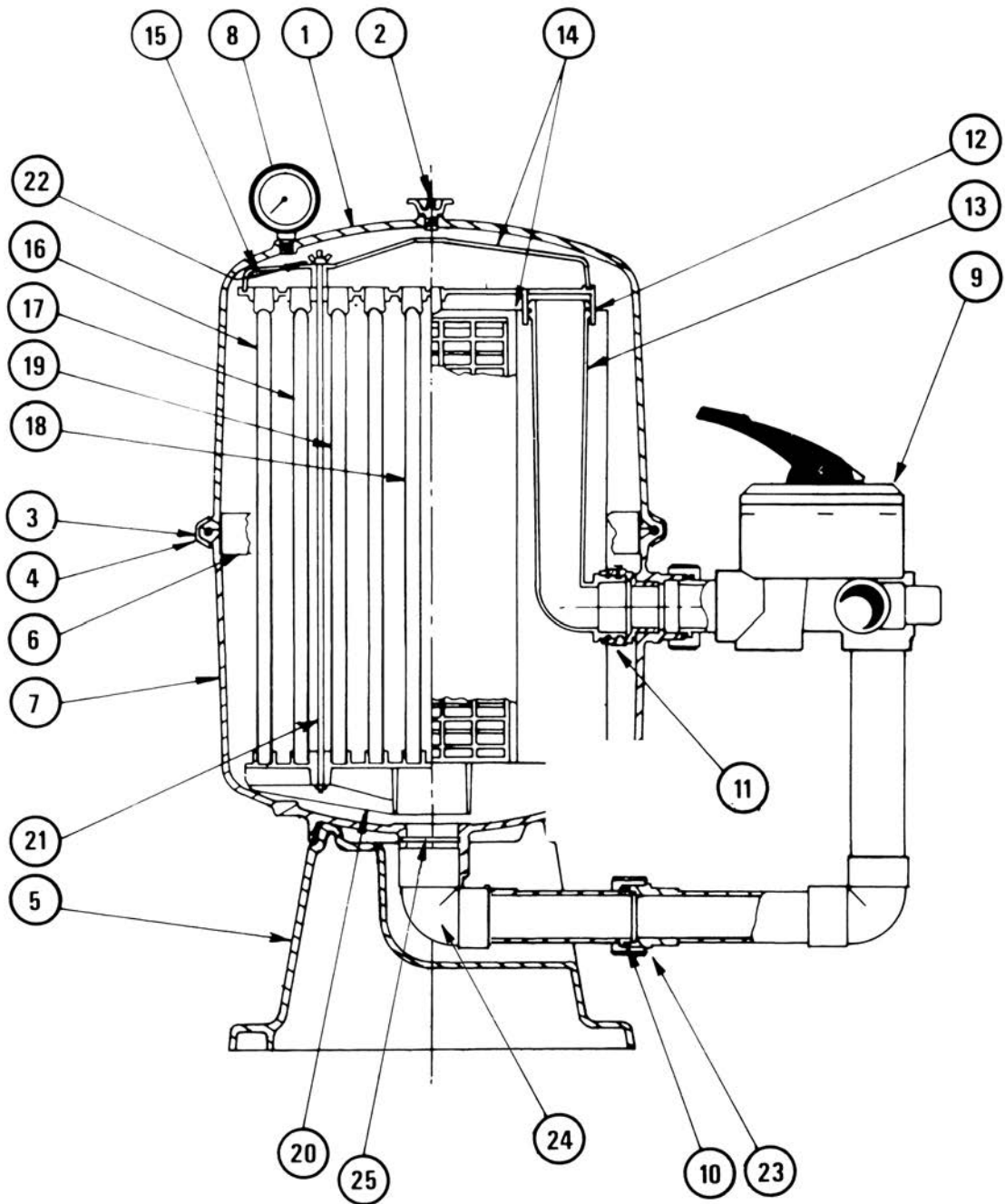


Astra Fulflo D.E. Filter

Part Number	Product Description	Diagram No.
62231PEW	Tank top low dome - P2016	1
62232PEW	Tank top high dome (grey) P2027,31	1
62233PEW	Tank top ultra high dome P2036,2048	1
620221	Air release Valve c/w O Ring	2
62202	P2145 clamp ring assy (c/w knob, bolt, lug)	3
622203	P2153 Nally tank clamp knob, bolt, lug	3
62250	P9109 Tank body O Ring	4
W01057	P2517 Inner band For P2027 / P2036 / P2048	6
8223152	Tank Body Bottom (P2027, P2036)	7
822343PEW	Tank body ultra bottom (P2048)	7
W02213	Union O ring (post 3/98)	10
W02280	Union O ring 50mm P2027 - 48 (BS332)	10
62248	Union adapter assy	11
822346	90 Deg elbow union - P2016,27,31	13
62206	P2124 90° elbow union assy P2036,48	13
62208	P2176 Complete septum - 2016	14
62209	P2146 Complete septum - P2027,31	14
62210	P2157 Complete septum - P2036	14
62211	P2206 Complete septum - P2048	14
62207	P2126 Manifold assy	15
62212	P2177 - 150 filter grid - P2016	16
62213	P2179 - 250 filter grid - P2016	17
62214	P2181 - 250 offset filter grid - P2016	18
62215	P2183 - 310 Filter grid - P2016	19
62216	P2147 - 150 filter grid - P2027,31 - 450 long 2 per filter	16
62217	P2148 - 250 filter grid - P2027,31 - 450 Long 2 per filter	17
62218	P2149 - 250 offset filter grid - P2027, 31 - 450 Long 2 per filter	18
62219	P2150 - 310 filter grid - P2027,31 - 450 long 4 per filter	19
62220	P2158 - 150 filter grid - P2036 - 630 long 2 per filter	16
62221	P2160 - 250 filter grid - P2036 - 630 long 2 per filter	17
62222	P2162 - 250 offset filter grid - P2036 - 630 long 2 per filter	18
62223	P2164 - 310 filter grid - P2036 - 630 long 4 per filter	19
62224	P2210 - 150 filter grid - P2048 - 810 long 2 per filter	16
62225	P2214 - 250 filter grid - P2048 - 810 long 2 per filter	17
62226	P2211 - 250 offset filter grid - P2048 - 810 long 2 per filter	18
62227	P2213 - 310 filter grid - P2048 - 810 long 4 per filter	19
W02198	P2337 Clamp Plate	20
62237	P2547 Tie rod - P2016	21
62238	P2521 Tie rod - P2027,31	21
62239	P2538 Tie rod - P2036	21
62240	P2545 Tie rod - P2048	21
122243B	Half Barrel Union 1/2" (post 03/98)	23
122245B	Half Barrel Union 50mm Metric (Pre 03/98)	23
634024BLK	Half Barrel Union 50mm 2027- 48 (Post 03/98)	23
634024EURO	Half Barrel Union 63mm Metric	23
823318	90 degree elbow threaded 1/2" (Pre 03/98)	24
822345BLK	90 degree elbow threaded 2" (Post 03/98)	24
823319	90 degree elbow O Ring (Pre 03/98)	25
622290	P2014/16 KIT top and bottom & clamp & inner band & knob	
622291	P2027/31 KIT top & bottom & clamp & inner band & knob	
622292	P2036 KIT top & bottom & clamp & inner band & knob	
622301	P2048 KIT top & bottom & clamp & inner band & knob	
2390495EU	P2027/P2031 M.P.V.-1/2" c/w plumbing kit	9
23905832EU	P2036 M.P.V.- 2" c/w plumbing kit	9
23905932EU	P2048 M.P.V - 2" c/w plumbing kit	9

For pressure gauges - see page 16 of main price list

Astra Fulflo D.E. Filter



TANK PORT SIZE	MODEL	CODE	CONNECTION	
		MPV C/W Plumbing Kit	TANK	MPV
1.5" (50mm)	P2027	2390495 / 2390495EU	Top - Male	Top - Female
2" (63mm)	P2036	23905832 / 2390583EU		
2" (63mm)	P2048	23905932 / 2390593EU	Bottom - Male	Bottom - Female

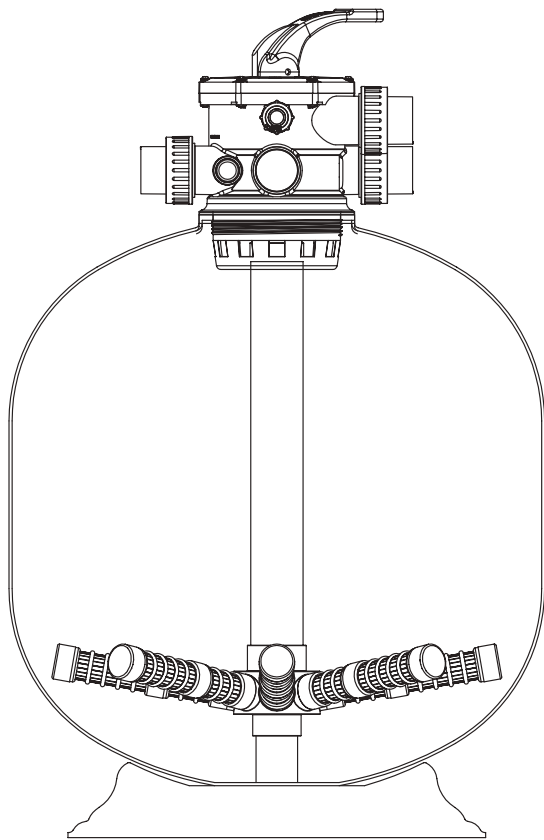
Micron / Thermoplastic / Exotuf Sand Filters - Common Parts

Part Number	Product Description
Micron / Exotuf Thermoplastic Common Parts	
W02115PP	Manifold threaded 1/2" / 50mm
W02116PP	Manifold threaded 2" / 63mm
W02111PP	Lateral threaded 75mm
W02112PP	Lateral threaded 110mm
W02113PP	Lateral threaded 145mm
W02114PP	Lateral threaded 200mm
W02117PP	Lateral threaded cap female
W02158PP	Lateral threaded plug male
W02026BLK	Drain plug assembly (15mm)
WO4058BLK	Drain plug assembly (1/2"/50mm)
W02068	Valve Neck O Ring (suits 1/2" MPV)
W02571	Micron Valve Gasket (2")
62102-HBG	Micron S/S Dome Nut & Washer (set of 12)
122243B	1/2" Half Union (Black) c/w O Ring
122245B	50mm European metric Half Union (Black) c/w O Ring
W02213	1/2" Union O Ring
634024BLK	2" Half Union (Black) c/w O Ring
63402400	63mm European metric Half Union (Black) c/w O Ring
W02280	2" Union O Ring
T Filters - Clamp Band Type	
6226010	Clamp Band 6" Kit (T400, T450, T500)
620269	O'Ring 185 x 4mm for 6" Clamp Band

For multiport valves and pressure gauges - see page 14-16 of main price list

Micron / Thermoplastic / Exotuf Sand Filters - Common Parts

Part No:		W02115	W02116	W02111PP	W02112PP	W02113PP	W02114PP	W02117PP	6209226	6209227
Model		Manifold 50mm	Manifold 63mm	Lateral 75mm	Lateral 110mm	Lateral 145mm	Lateral 200mm	Lateral End Cap Nut	Extension Arm Assy Short	Extension Arm Assy Long
S500	Eco	1		8	4			16		4
S600	Eco	1		16	4			16		4
S602	Eco		1	16	4			16		4
S700	Eco	1		16			4	16	4	
S702	Eco		1	16			4	16	4	
S750	Eco		1	8	12	4		16	4	
S800	Eco		1	8	12	4		16	4	
S900	Eco		1	4	8	12		16	4	
E600 Plus. SM	Eco	1		12		4		16	4	
E602 Plus. SM	Eco		1	12		4		16	4	
E702 Plus. SM	Eco		1	12			4	16		4
E600 Plus. TM	Eco	1		12		4		16	4	
E602 Plus. TM	Eco		1	12		4		16	4	
E702 Plus. TM	Eco		1	12			4	16		4
T400 / E400	Std	1		8				8		
T450 / E450	Std	1			8			8		
T500 / E500	Std	1			8			8		
T600 / E600	Std	1				8		8		



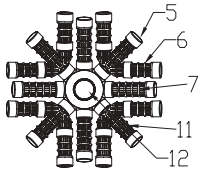
CLAMP BAND THERMOPLASTIC FILTER

Exotuf Plus Side Mount

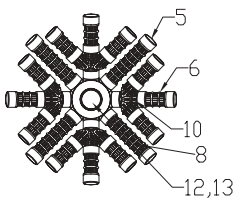
Part Number	Product Description	Diagram No.
6220208	Clamp Band 8" MKII	3i
622203	Screw Overmolded M8X60 S/S A2 Hex Bolt	3ii
W22280	Washer Flat M8 Brass (8.4 x 18 x 1.5mm)	3iii
W02195TLJ	DE Knob W0.6" Head Dia Brass Insert	3iv
62092911	Filter Clear Lid 8" Clamp Type	4
W02117PP	Lateral Cap Nut PP	5
W02111PP	Lateral Waterco 75mm PP	6
W02112PP	Lateral Waterco 110mm PP	7
W02113PP	Lateral Waterco 145mm PP	8
W02114PP	Lateral Waterco 200mm PP	9
6209226	Lateral Extension Arm Assembly Short	10
6209227	Lateral Extension Arm Assembly Long	11
W02115PP	Manifold Waterco 50mm for E500+ / E600+	12
W02116PP	Manifold Waterco 63mm for E602+ / E702+	13
121558	Threaded Sweep Elbow Kit 50mm / 1/2" for E500+ / E600+	14
121559	Threaded Sweep Elbow Kit 63mm / 2" for E602+ / E702+	15
121340	Elbow 90 Deg 50mm for E500+ / E600+ / E602+ / E702	16/17
W22316	O-Ring 180 x 4.5mm NBR Black Shore 70 for E500+ / E600+	19
W22479	O-Ring 198 x 4.5mm NBR Black Shore 70 for E602+ / E702+	20
W02066	Funnel For Side Mount Filters	21
W02289	Air Relief Tube Screen	22
85251	Gulfstream Plug	23
W02550	T/L Moulded Air Bleed 740mm C75	24

For multiport valves and pressure gauges - see page 14-16 of main price list

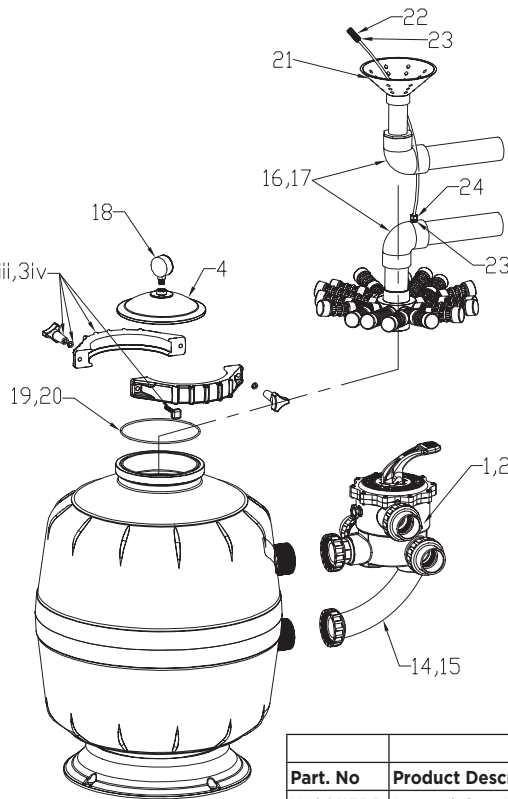
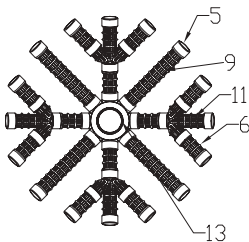
LATERAL CONFIGURATION FOR E500+



LATERAL CONFIGURATION FOR E600+/602+



LATERAL CONFIGURATION FOR E702+



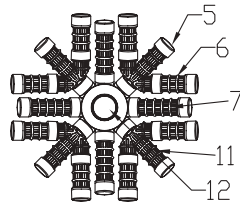
Part. No	Product Description	Qty			
		E500+	E600+	E602+	E702+
W02117PP	Lateral Cap Nut PP	16	16	16	16
W02111PP	Lateral Waterco 75 PP	8	12	12	12
W02112PP	Lateral Waterco 110mm PP	4			
W02113PP	Lateral Waterco 145mm PP		4	4	
W02114PP	Lateral Waterco 200mm PP				4
6209226	Lateral Extension Arm Assembly Short		4	4	
6209227	Lateral Extension Arm Assembly Long	4			4
W02115	Manifold Waterco 40mm	1	1		
W02116	Manifold Waterco 50mm			1	1

Exotuf Plus Top Mount

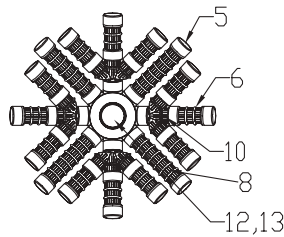
Part Number	Product Description	Diagram No.
6220208	Clamp Band 8" MKII for E602+ / E702+	3i
622203	Screw Overmoulded M8X60 s/s A2 Hex Bolt for E602+ / E702+	3ii
W22280	Washer Flat M8 Brass (8.4 x 18 x 1.5mm) for E602+ / E702+	3iii
W02195TLJ	DE Knob W0.6" Head Dia. Brass Insert for E602+ / E702+	3iv
62259	Clamp Band 6" MKII for E500+ / E600+	4i
621373	Bolt M6 x 55mm P/Head S/SS M/C for E500+ / E600+	4ii
W12783	Washes M6 Spring SS304 for E500+ / E600+	4iii
W22322	Square Nut M6 x 10mm x 1/2 SS304 for E500+ / E600+	4iv
W02117PP	Lateral Cap Nut PP	5
W02111PP	Lateral Waterco 75mm PP	6
W02112PP	Lateral Waterco 110mm PP	7
W02113PP	Lateral Waterco 145mm PP	8
W02114PP	Lateral Waterco 200mm PP	9
6209226	Lateral Extension Arm Assembly Short	10
6209227	Lateral Extension Arm Assembly Long	11
W02115PP	Manifold Waterco 50mm	12
W02116PP	Manifold Waterco 63mm	13
W22316	O-Ring 180 x 4.5mm NBR Black Shore 70	14
W22479	O-Ring 198 x 4.5mm NBR Black Shore 70	15

For multiport valves and pressure gauges - see page 14-16 of main price list

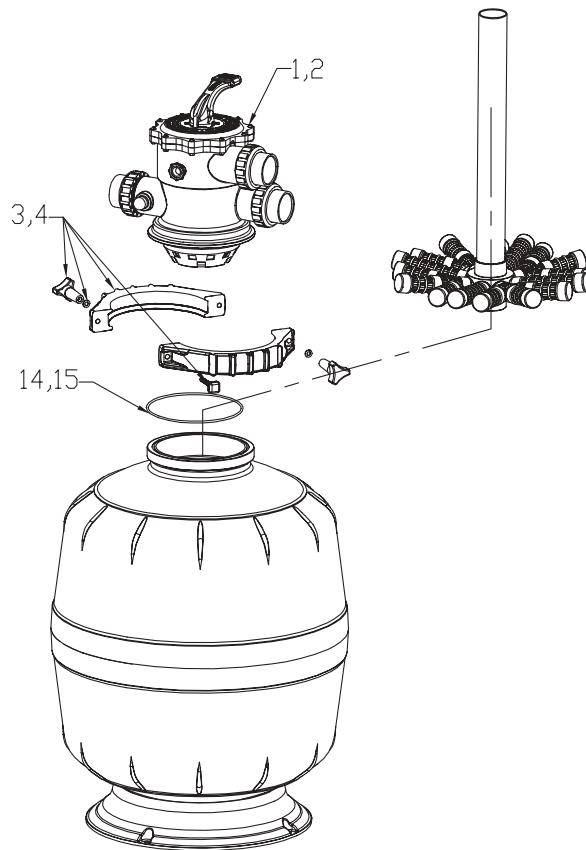
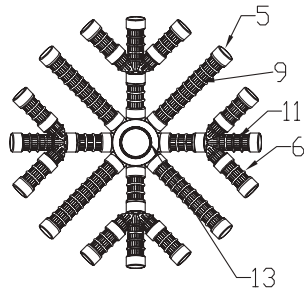
LATERAL CONFIGURATION FOR E500+



LATERAL CONFIGURATION FOR E600+ / 602+



LATERAL CONFIGURATION FOR E702+



Part. No	Product Description	Qty			
		E500+	E600+	E602+	E702+
W02117PP	Lateral Cap Nut PP	16	16	16	16
W02111PP	Lateral Waterco 75 PP	8	12	12	12
W02112PP	Lateral Waterco 110mm PP	4			
W02113PP	Lateral Waterco 145mm PP		4	4	
W02114PP	Lateral Waterco 200mm PP				4
6209226	Lateral Extension Arm Assembly Short		4	4	
6209227	Lateral Extension Arm Assembly Long	4			4
W02115PP	Manifold Waterco 40mm	1	1		
W02116PP	Manifold Waterco 50mm			1	1

Micron Side Mount Sand Filters

Part Number	Product Description	Diagram No.
620221	Air release valve	1
W02066	S/M Water Diffuser (Funnel)	2
6209291	SM 8" Lid	3
62024BLK	Lock Ring for 8" Lid	4
62026	SM Top Lid O ring 8"	5
63032/W02209BLK	Barrel Union Nut 1 1/2"	8
W02213	Barrel Union O Ring 1 1/2"	n/s
W02083BLK	Barrel Union Nut 2"	8
W02280	Barrel Union O Ring 2"	n/s
121558	Threaded Sweep Elbow Kit 1 1/2"	6,7,8
121559	Threaded Sweep Elbow Kit 2"	6,7,8
W02026BLK	Drain Plug (up to & including SM900 with 2" Ports)	9
W02568	2" Bulk Head	n/s
6209430	S/M top lid clamp type	n/s
620269	S/M top lid o ring (clamp type)	n/s
620943	S/M top lid clamp & knob only	n/s
W02289	Air Relief Tube Screen	10
85251	Gulfstream Plug	11
W02549	Air Bleed Tube 500mm for SM500 / 600	12
W02550	Air Bleed Tube 740mm for SM750 / 900	12

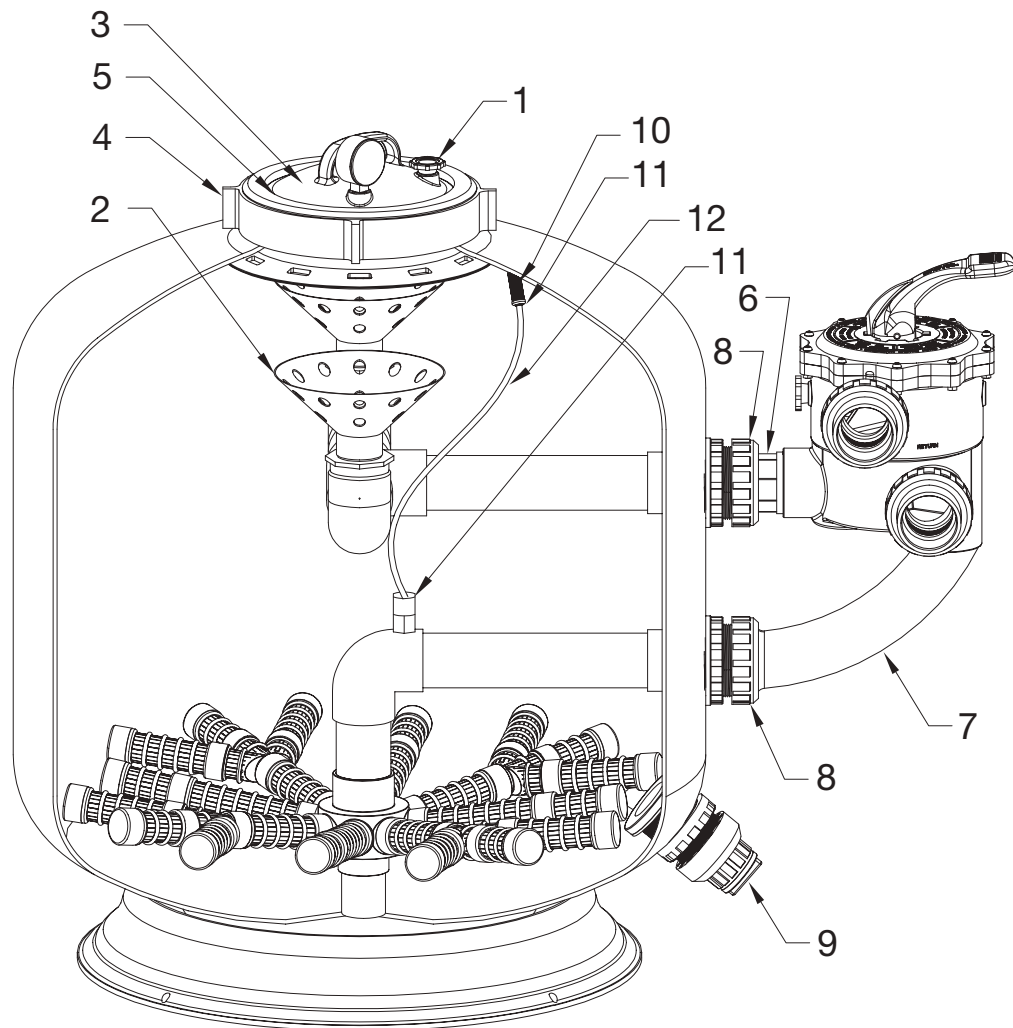
Micron/Thermoplastic Common Parts

W02115PP	Manifold threaded 1 1/2"
W02116PP	Manifold threaded 2"
W02111PP	Lateral threaded 75mm
W02112PP	Lateral threaded 110mm
W02113PP	Lateral threaded 145mm
W02114PP	Lateral threaded 200mm
W02117PP	Lateral threaded cap female
W02158PP	Lateral threaded plug male
W02026BLK	Drain plug assembly (15mm)
W04058BLK	Drain plug assembly (1 1/2"/50mm)
W02068	Valve Neck O Ring (suits 1 1/2" MPV)
W02571	Micron Valve Gasket (2")
62102-HBG	Micron S/S Dome Nut & Washer (set of 12)
122243B	1 1/2" Half Union (Black) c/w O Ring
122245B	50mm European metric Half Union (Black) c/w O Ring
W02213	1 1/2" Union O Ring
634024BLK	2" Half Union (Black) c/w O Ring
63402400	63mm European metric Half Union (Black) c/w O Ring
W02280	2" Union O Ring

For multiport valves and pressure gauges - see page 14-16 of main price list

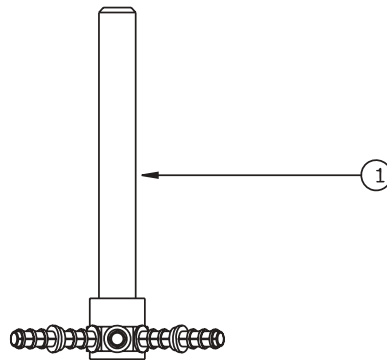
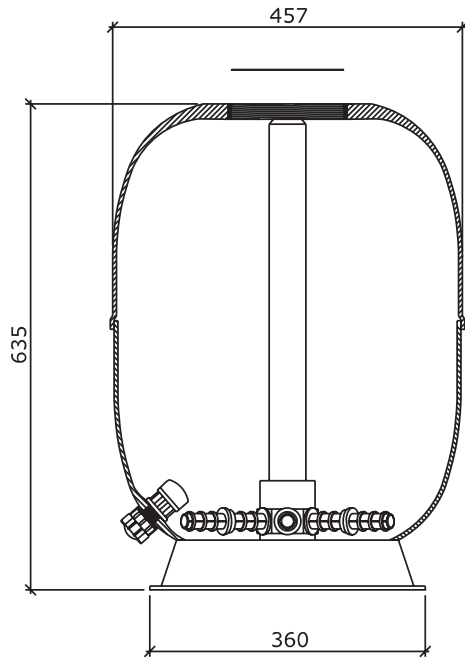
Micron Side Mount Sand Filters

Part No:		WO2115	WO2116	WO2111PP	WO2112PP	WO2113PP	WO2114PP	WO2117PP	WO2158PP	WO2155	WO2156	WO2157
Model		Manifold 50mm	Manifold 63mm	Lateral 75mm	Lateral 110mm	Lateral 145mm	Lateral 200mm	Lateral End Cap Nut	Extension Arm Assy Short	Extension Arm Assy Long		
SM500	Eco	1		12		4		16	4			
SM600	Eco	1		16	4			16		4		
SM602	Eco		1	16	4			16		4		
SM700	Eco	1		8	4		4	16		4		
SM750	Eco		1	8	12	4		16	4			
SM800	Eco		1		20	4		16	4			
SM900	Eco		1	8		12	4	16	4			

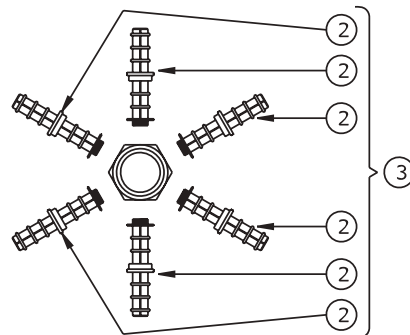
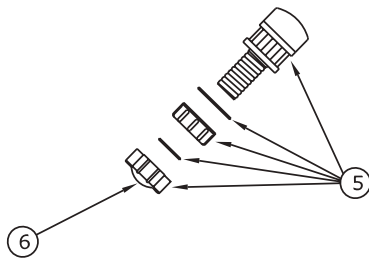


Lacron TMV-18

Part Number	Product Description	Diagram No.
1366A (W12246)	18" Top Mount Internals (less candles)	1
W02985 (6007)	120mm Lateral (candle) (6)	2
1393 (W12247)	18" Lateral (candle) Set	3
1314	Top Mount Valve O Ring	4
W02026BLK (6001)	Drain Plug Complete	5
W02522C	Drain Plug Cap	6
621320	Centre Stem O Ring	n/s



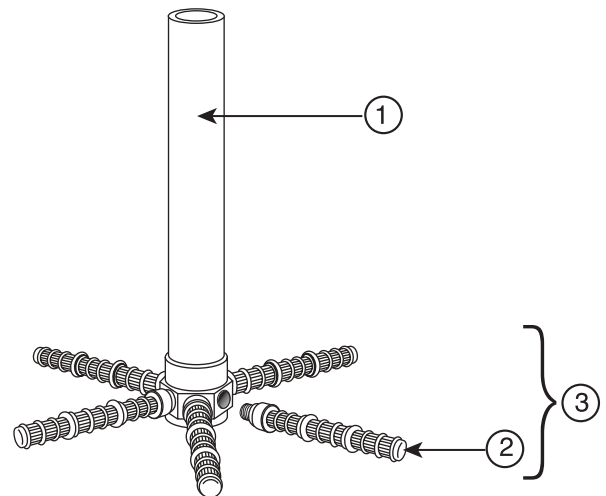
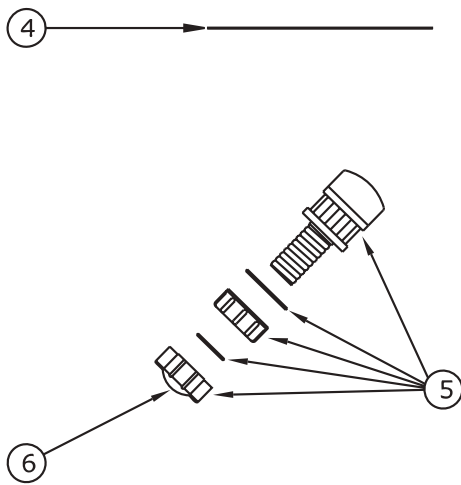
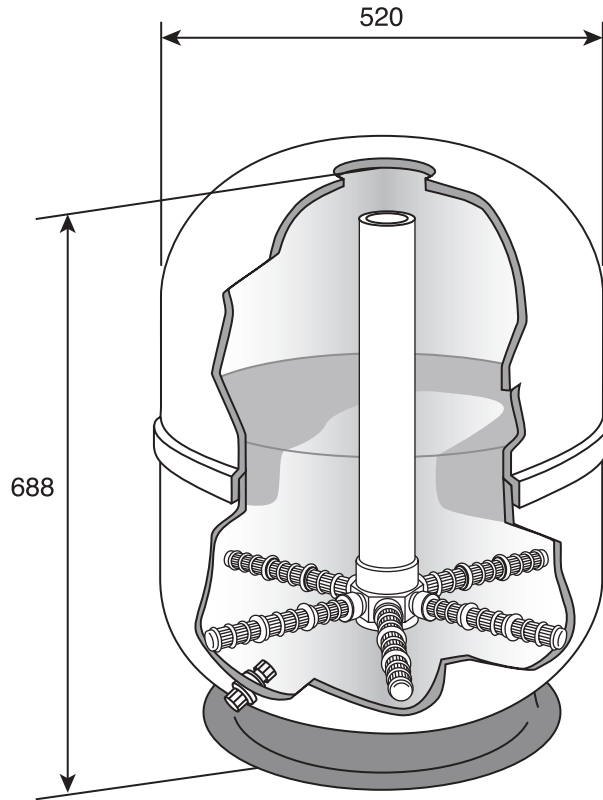
SIDE VIEW



PLAN VIEW

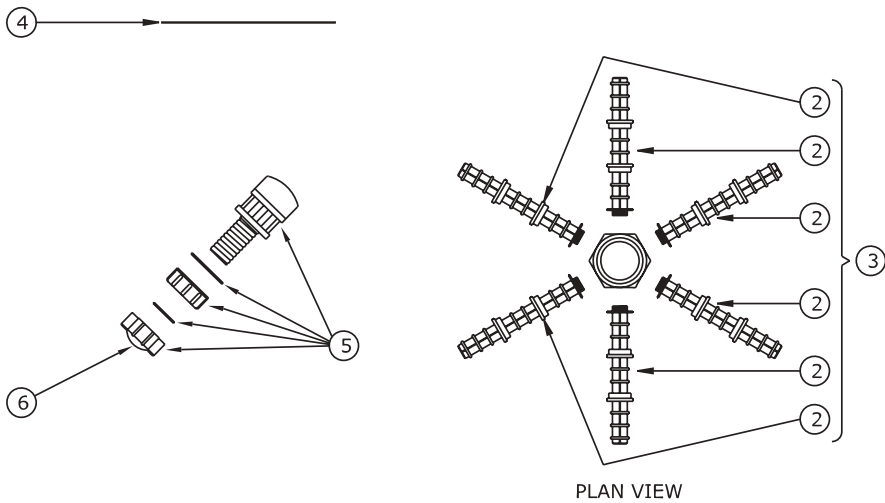
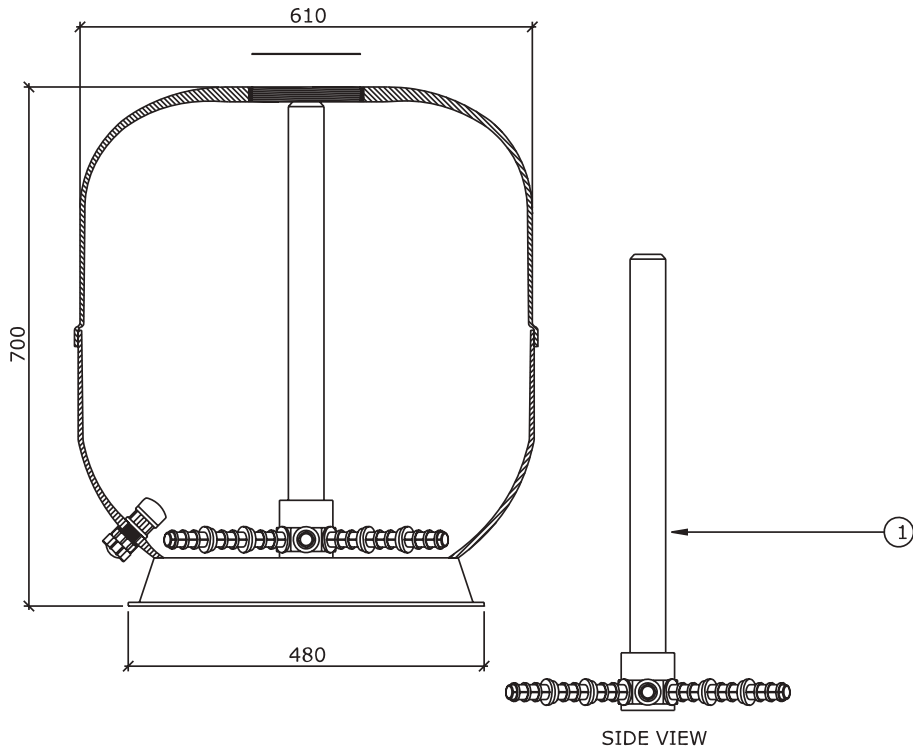
Lacron TMV-20

Part Number	Product Description	Diagram No.
W12274 (1367E)	20" Top Mount Internals (less candles)	1
6008	120mm + 40mm (candle) (x 6) (W02986 + W02991)	2
1393A (W12275)	20" Lateral (candle) Set	3
1314	Top Mount Valve O Ring	4
W02026BLK (6001)	Drain Plug Complete	5
W02522C	Drain Plug Cap	6
621320	Centre Stem O Ring	n/s



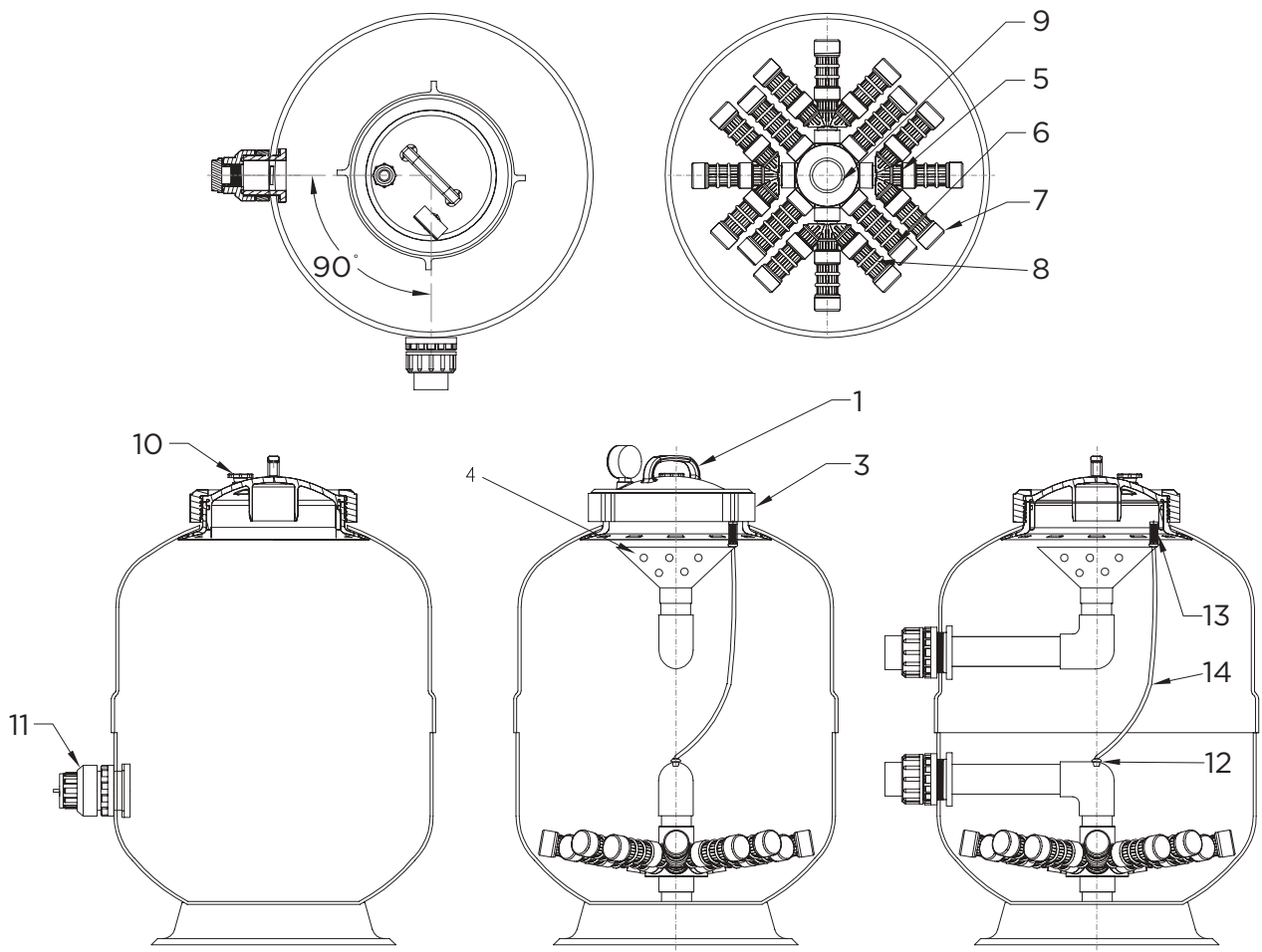
Lacron TMV-24

Part Number	Product Description	Diagram No.
W12243 (1367A)	24" Top Mount Internals (less candles)	1
6008 (W02984 + W02991)	180mm Lateral (X 6)	2
W12245 (1394A)	24" Lateral (candle) Set	3
1314	Top Mount Valve O Ring	4
W02026BLK (6001)	Drain Plug Complete	5
W02522C	Drain Plug Cap	6
621320	Centre Stem O Ring	n/s



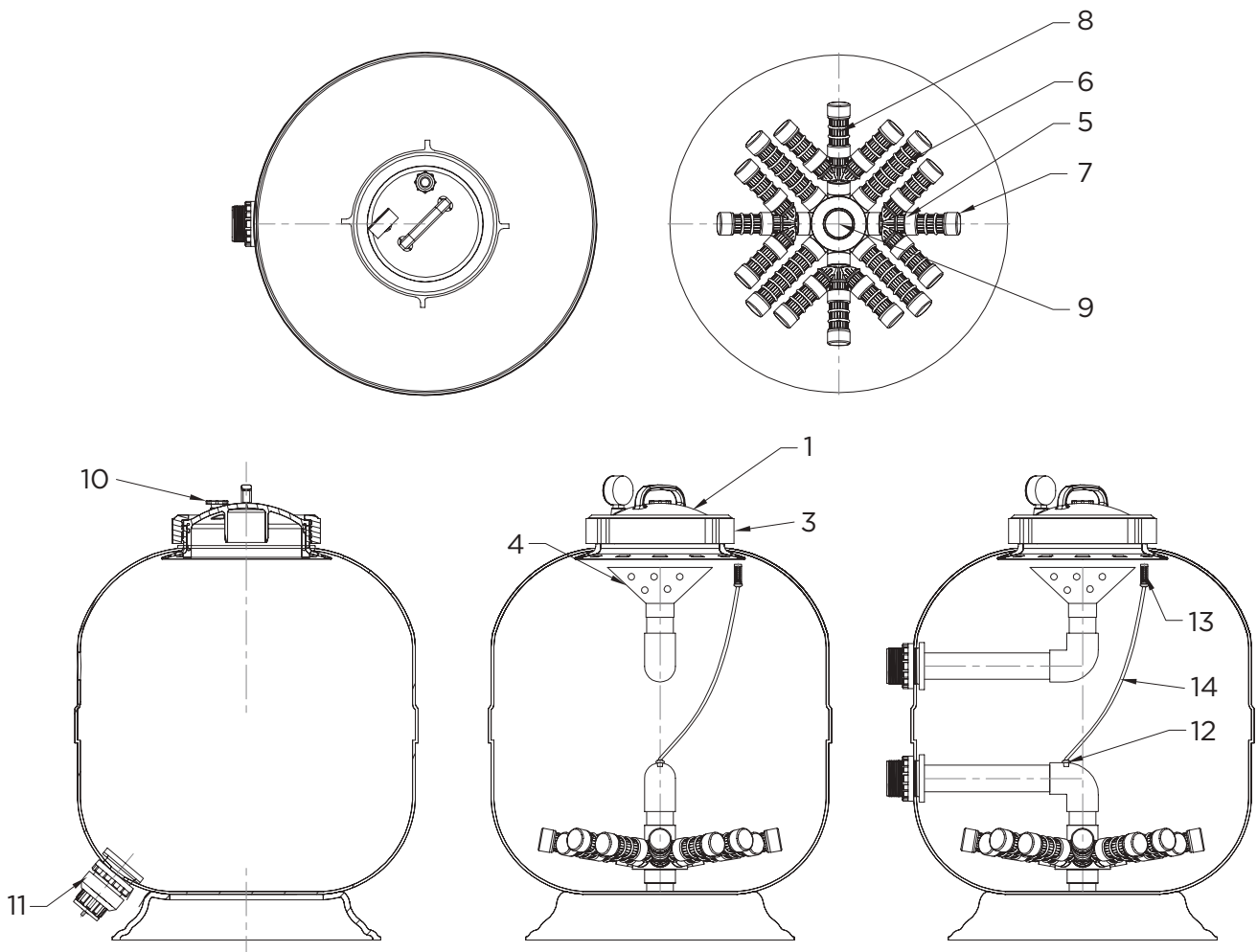
Lacron Pure -20

Part Number	Product Description	Diagram No.
6209291	Filter Lid 8" Clear	1
62026	T/L O-Ring	2
62024BLK	T/L Lock Ring Black	3
W02066	Funnel For Side Mount	4
6209226	Lateral Extention Arm Assembly Short (4 required per filter)	5
W02112PP	Lateral Waterco 110mm PP (4 required per filter)	6
W02117PP	Lateral End Cap Nut (16 required per filter)	7
W02111PP	Lateral Waterco 75mm PP (12 required per filter)	8
W02115PP	Manifold Waterco 50mm	9
620221	Air Relief Valve New Style Black	10
W04058BLK	Drain Plug 50mm Complete	11
W02268	Gasket 50mm Bulkhead	
W02271BLK	Bulkhead Lock Nut 50mm Black	
W02272BLK	Bulkhead Threaded Body 50mm Black	
W02158PP	Lateral End Cap Screw PP	
W02213	O-Ring 50mm B/U EPDM	
W02267	Drain Plug 50mm O-Ring	
W02269BLK	Drain Plug Body 50mm Black	
W02270BLK	Drain Plug End Cap 50mm Black	
85251	Gulfstream Plug	12
W02289	Air Relief Tube Screen	13
W02549	T/L Moulded Air Bleed 500mm C50	14



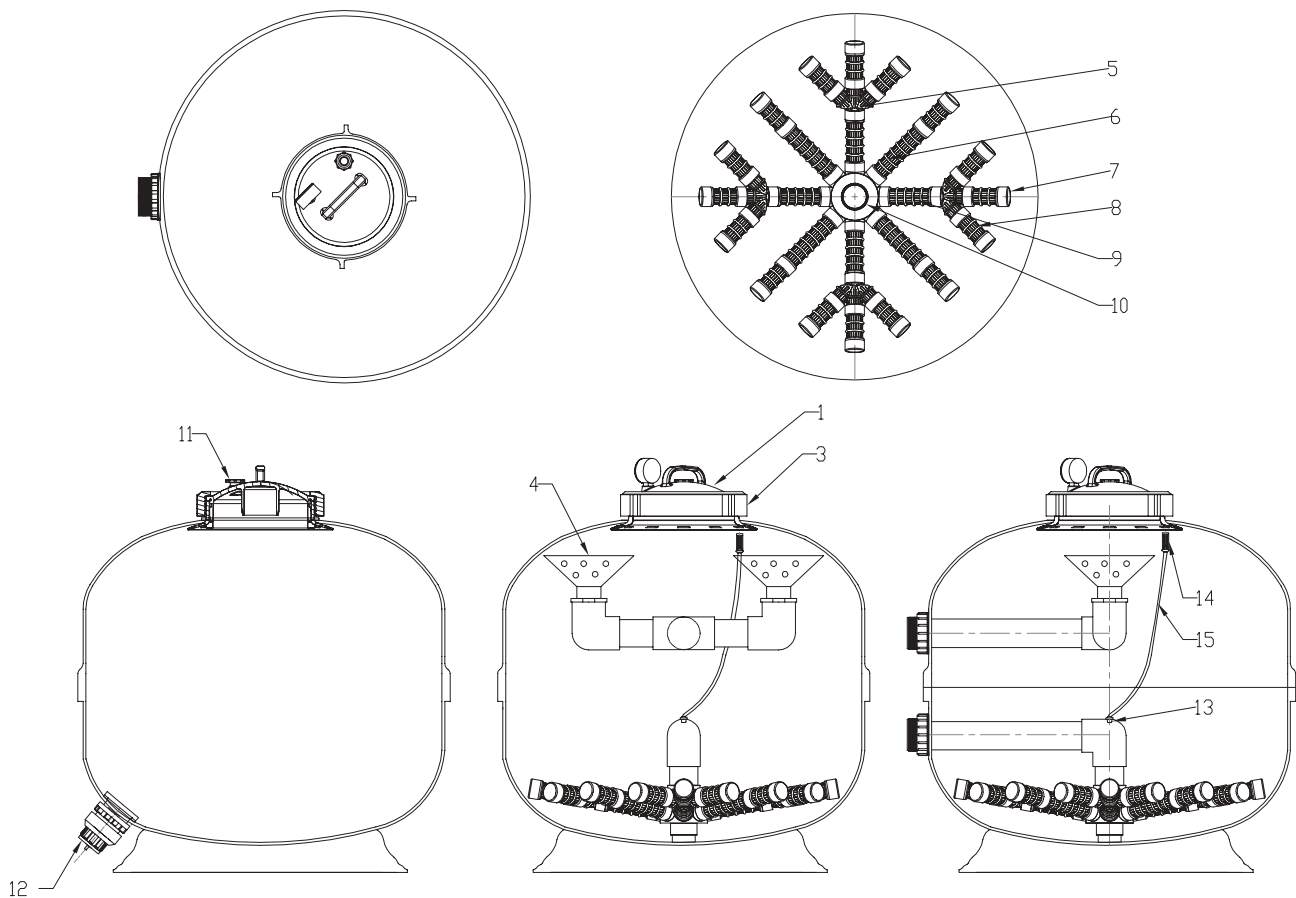
Lacron Pure -24

Part Number	Product Description	Diagram No.
6209291	Filter Lid 8" Clear	1
62026	T/L O-Ring	2
62024BLK	T/L Lock Ring Black	3
W02066	Funnel For Side Mount	4
6209226	Lateral Extention Arm Assembly Short (4 required per filter)	5
W02113PP	Lateral Waterco 145mm PP (4 required per filter)	6
W02117PP	Lateral End Cap Nut (16 required per filter)	7
W02111PP	Lateral Waterco 75mm PP (12 required per filter)	8
W02115	Manifold Waterco 50mm	9
620221	Air Relief Valve New Style Black	10
W04058BLK	Drain Plug 50mm Complete	11
W02268	Gasket 50mm Bulkhead	
W02271BLK	Bulkhead Lock Nut 50mm Black	
W02272BLK	Bulkhead Threaded Body 50mm Black	
W02158PP	Lateral End Cap Screw PP	
W02213	O-Ring 50mm B/U EPDM	
W02267	Drain Plug 50mm O-Ring	
W02269BLK	Drain Plug Body 50mm Black	
W02270BLK	Drain Plug End Cap 50mm Black	
85251	Gulfstream Plug	12
W02289	Air Relief Tube Screen	13
W02549	T/L Moulded Air Bleed 500mm C50	14



Lacron Pure -30

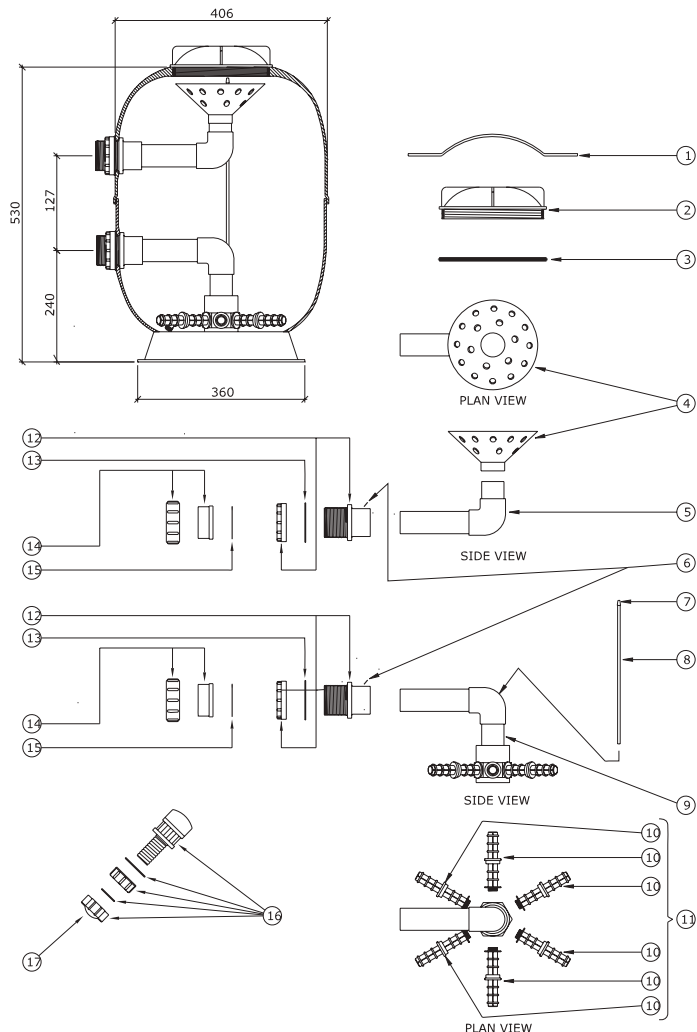
Part Number	Product Description	Diagram No.
6209291	Filter Lid 8" Clear	1
62026	T/L O-Ring	2
62024BLK	T/L Lock Ring Black	3
W02066	Funnel For Side Mount	4
6209226	Lateral Extention Arm Assembly Short (4 required per filter)	5
W02113PP	Lateral Waterco 145mm PP (4 required per filter)	6
W02117PP	Lateral End Cap Nut (16 required per filter)	7
W02111PP	Lateral Waterco 75mm PP (12 required per filter)	8
W02112PP	Lateral Waterco 110mm PP (4 required per filter)	9
W02116	Manifold Waterco 63mm	10
620221	Air Relief Valve New Style Black	11
W04058BLK	Drain Plug 50mm Complete	12
W02268	Gasket 50mm Bulkhead	
W02271BLK	Bulkhead Lock Nut 50mm Black	
W02272BLK	Bulkhead Threaded Body 50mm Black	
W02158PP	Lateral End Cap Screw PP	
W02213	O-Ring 40mm B/U EPDM	
W02267	Drain Plug 50mm O-Ring	
W02269BLK	Drain Plug Body 50mm Black	
W02270BLK	Drain Plug End Cap 50mm Black	
85251	Gulfstream Plug	13
W02289	Air Relief Tube Screen	14
W02549	T/L Moulded Air Bleed 740mm C75	15



Lacron LSR - 16

Part Number	Product Description	Diagram No.
6012 (1304A)	Lacron lid removal tool (8" new type) Metal	1
W22235	Lid removal tool Plastic	n/s
6000 (6209292)	Lid (8" new type) Polycarbonate	2
6011 (621053)	Lid 'O' ring 8"	3
620221	Air relief tap	n/s
W02066B	Rose distributor 5.5"	4
1366 (W32363)	1.5" Header (less rose)	5
1671	3/4" Self tap screw (Pack of 10)	6
W12045	Air bleed cap. Also order 1 x 85251 Rubber Grommit @ £0.85	7
17100 (W02549)	16" Lacron air bleed tube	8
1363 (W12247)	16" - 1.5" Underdrain less candles	9
6007 (W02985)	120mm Lateral (candle) (X 6 required per filter)	10
1393 (W12247)	lateral (candle) set	11
6013 (W02989 + W02271BLK)	1.5" Bulkhead fitting inc nut (Set of 2)	12
6015 (W02268HBG)	1.5" Bulkhead Gasket (set of 2)	13
6023 (W02209BLK + W02210BLK)	1.5" Union Adaptor nut and sleeve (set of 2)	14
6026 (W02213 x 2)	1.5" Union adaptor 'O' Ring (set of 2)	15
6001 (W02026BLK)	Drain plug complete	16
W02522C	Drian plug - cap only	17
W04002PP	16"/18"/20" Base Stand	n/a
PRE 2006		
6021 (W02992-2HBG)	1.5" Union adaptor inc sleeve (Set of 2)	14
6004 (1522) (W12332)	1.5" Union adaptor gasket (set of 2)	15
6113 (W02989)	1.5" Bulkhead Fitting inc. Nut (Set of 2)	12
1520 (W12253-2HBG)	1.5" Bulkhead gasket	13

PLEASE NOTE: 1 1/2" Lacron filters manufactured pre 2006 will have union adaptors (Barrel Unions) with **flat gaskets** 1 1/2" Lacron filters manufactured post 2006 will have union adaptors (Barrel Unions) with 'O' rings

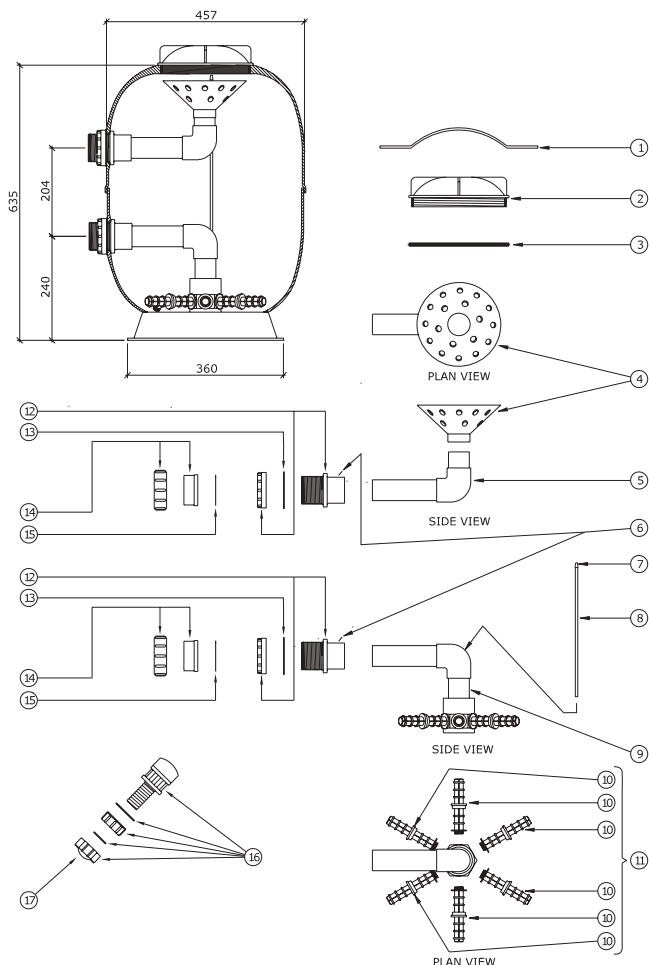


Lacron LSR - 18

Part Number	Product Description	Diagram No.
6012 (1304A)	Lid removal tool (8" new type) Metal	1
W22235	Lid removal tool Plastic	n/s
6000 (6209292)	Lid (New type 8") Polycarbonate	2
6011 (621053)	Lid 'O' Ring 8"	3
620929	6" Polycarbonate Lid	2
W02068	6" Lid 'O' Ring	3
620221	Air relief tap	n/s
W02066B	Rose distributor 5.5"	4
1366 (W32363)	1.5" Header (less rose)	5
1671	3/4" Self tap screw (Pack of 10)	6
W12045	Air bleed cap. Also order 1 x 85251 Rubber Grommit @ £0.85	7
17101 (W02549)	18" Airbleed tube	8
W22510 (1365)	18" - 1.5" Underdrain (less candles)	9
6007 (W02985)	120mm Lateral (candle) (X 6 required per filter)	10
1393 (W12247)	Lateral (candle) set	11
6013 (W02272BLK + W02271BLK)	1.5" Bulkhead fitting including nut	12
6015 (W02268HBG)	1.5" Bulkhead gasket (Set of 2)	13
6023 (W02209BLK + W02210BLK)	1.5" Union adaptor including sleeve (set of 2)	14
6026 (W02213 x 2)	1.5" Union adaptor O-ring (set of 2)	15
6001 (W02521BLK)	Drain plug complete	16
W02522C	Drain plug cap only	17
W04002PP	16"/18"/20" Base Stand	n/a

PRE 2006		
6021 (W02992-2HBG)	1.5" Union Adaptor nut and sleeve (set of 2)	14
6004 (1522) (W12332)	1.5" Union adapter gasket (set of 2)	15
6113 (W02989 + W02271BLK)	1.5" Bulkhead Fitting inc. Nut	12
1520 (W12253-2HBG)	1.5" Bulkhead gasket	13

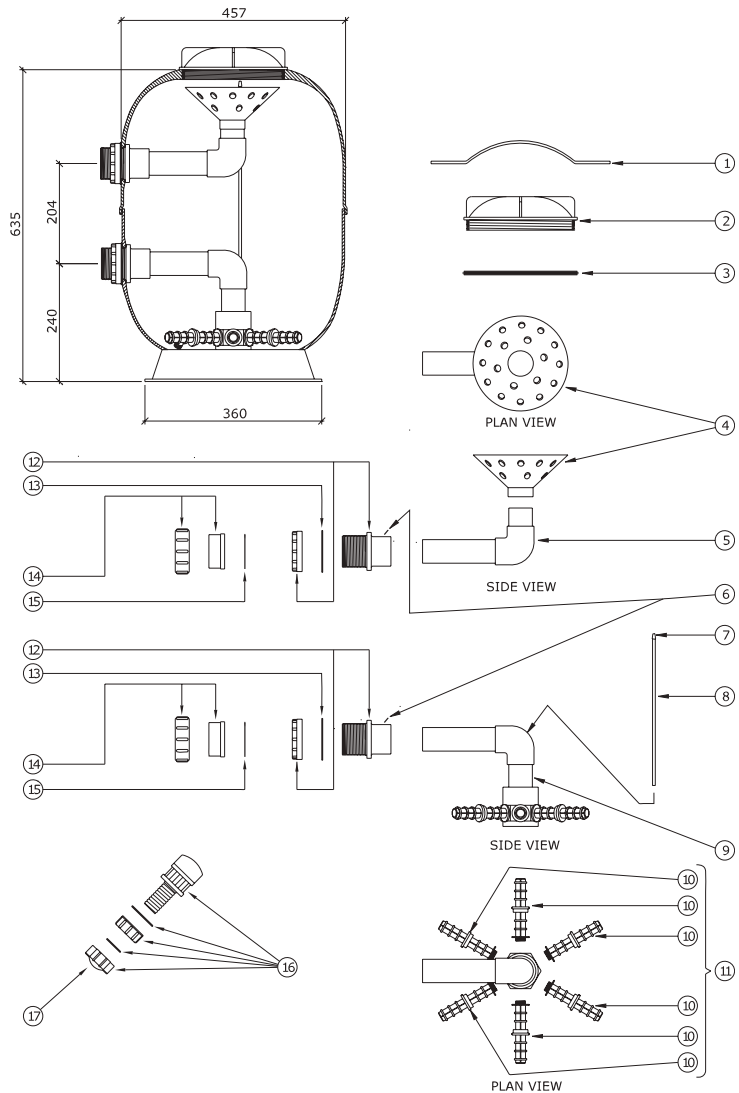
PLEASE NOTE: 1 1/2" Lacron filters manufactured pre 2006 will have union adaptors (Barrel Unions) with **flat gaskets** 1 1/2" Lacron filters manufactured post 2006 will have union adaptors (Barrel Unions) with 'O' rings



Lacron LSR - 20

Part Number	Product Description	Diagram No.
6012 (1304A)	Lid removal tool (8" new type) Metal	1
W22235	Lid removal tool Plastic	n/s
6000 (6209292)	Lid (New type 8") Polycarbonate	2
6011 (621053)	Lid 'O' Ring 8"	3
W02066	Rose distributor	4
1366 (W32363)	1.5" Header (less rose)	5
1671	3/4" Self tap screw (Pack of 10)	6
W12045	Air bleed cap. Also order 1 x 85251 Rubber Grommit @ £0.85	7
17101A	20" Airbleed tube	8
W22510 (1365A)	20" - 1.5" Underdrain (less candles)	9
6007 (W02985)	120mm Lateral (candle) (x 6 required per filter)	10
W12275 (1393A)	Lateral (candle) set	11
6013 (W0 2272BLK + W02271BLK)	1.5" Bulkhead fitting including nut	12
6015 (W02268)	1.5" Bulkhead gasket (Set of 2)	13
6023 (W02209BLK + W02210BLK)	1.5" Union Adaptor nut and sleeve (set of 2)	14
6026 (W02213 x 2)	1.5" Union adaptor 'O' Ring (set of 2)	15
6001 (W02026BLK)	Drain plug complete	16
W02522C	Drain plug cap only	17
W04002PP	16"/18"/20" Base Stand	n/a
PRE 2006		
6021 (W02992-2HBG)	1.5" Union adaptor including sleeve (set of 2)	14
6004 (1522) (W12332)	1.5" Union adaptor gasket (set of 2)	15
6113 (W02989)	1.5" Bulkhead fitting including Nut	12
1520 (W12253-2HBG)	1.5" Bulkhead gasket	13

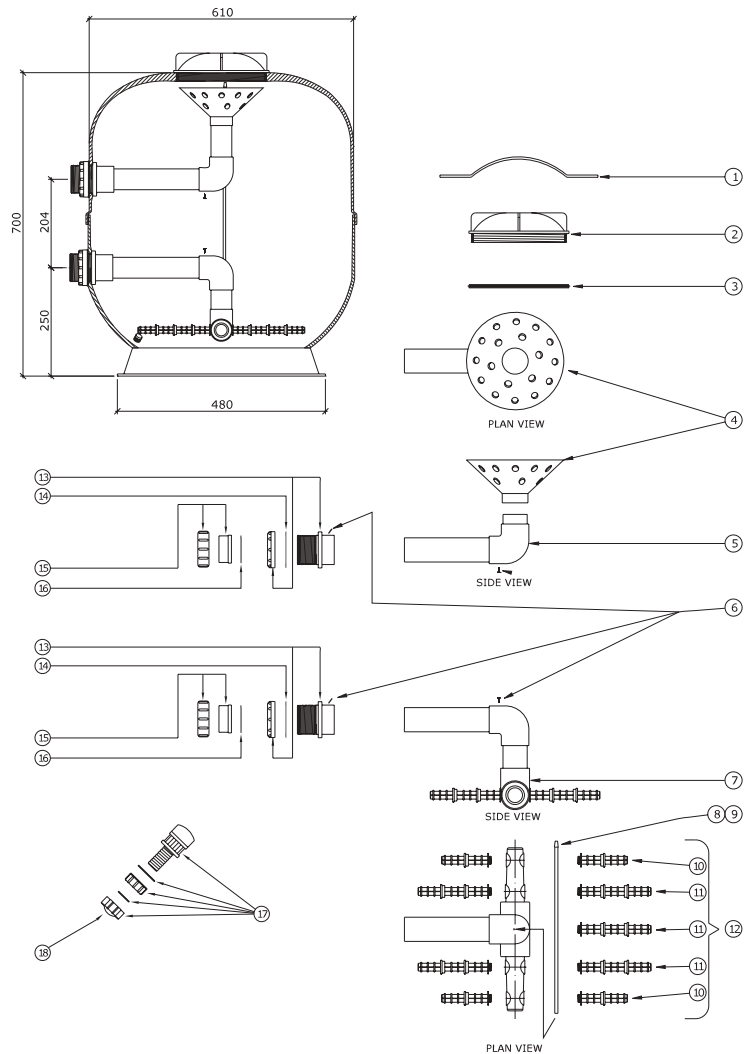
PLEASE NOTE: 1 1/2" Lacron filters manufactured pre 2006 will have union adaptors (Barrel Unions) with **flat gaskets** 1 1/2" Lacron filters manufactured post 2006 will have union adaptors (Barrel Unions) with 'O' rings



Lacron LSR - 24

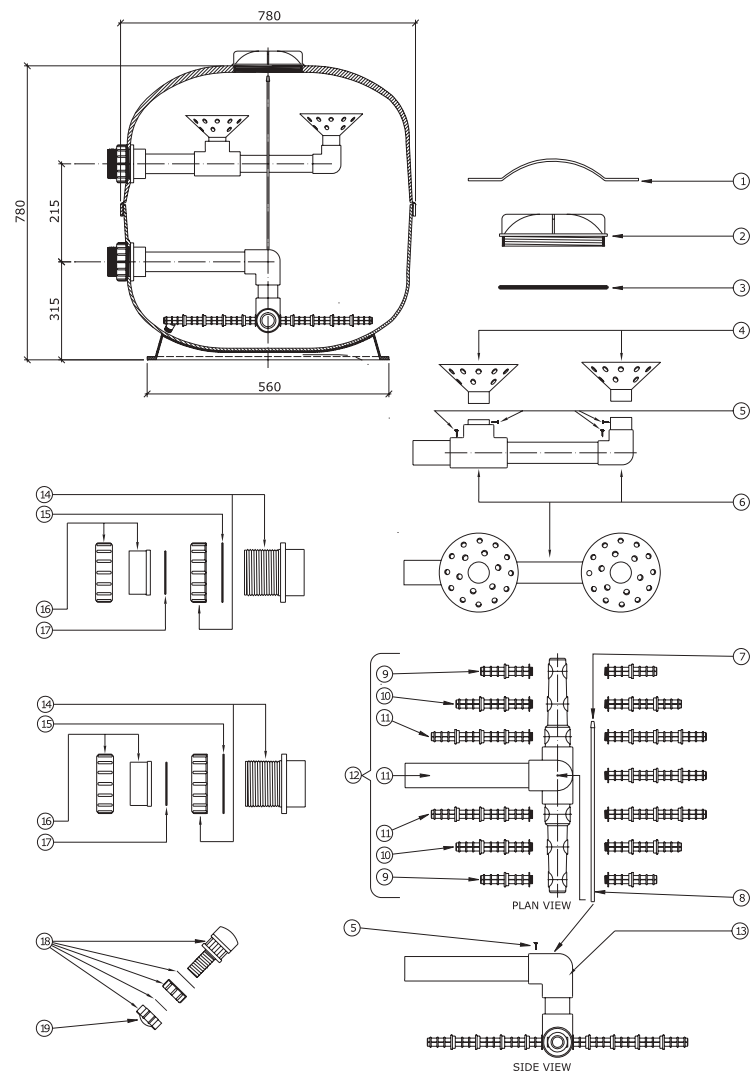
Part Number	Product Description	Diagram No.
6012 (1304A)	Lid Removal Tool (8" New Type) Metal	1
W22235	Lid removal tool Plastic	n/s
6000 (6209292)	Lacron Lid (Polycarbonate 8" New Type)	2
6011 (621053)	Lacron Lid 'O' Ring 8"	3
W02066	Rose Distributor	4
1366 (W32363)	1.5" Header (Less Rose)	5
1671	3/4" Self Tap Screw (Pack Of 10)	6
W22216 (1367)	24" - 1.5" Underdrain Less Candles	7
W02549 (17102)	24" Lacron Airbleed	8
W12045	Air Bleed Cap. Also order 1 x 85251 Rubber Grommit @ £0.85	9
6007 (W02985)	120Mm Lateral (Candle) (X 4 required per filter)	10
6008 (W02984 + W02991)	180Mm Lateral (Candle) (X 6 required per filter)	11
W22218 (1394)	Lateral (Candle) Set	12
6013 (W02272BLK + W02271BLK)	1.5" Bulkhead Fitting (Plus Nut)	13
6015 (W02268HBG)	1.5" Bulkhead Gasket (Set Of 2)	14
6023 (W02209BLK + W02210BLK)	1.5" Union Adaptor Nut And Sleeve (Set Of 2)	15
6026 (W02213 x 2)	1.5" Union Adaptor 'O' Ring (Set Of 2)	16
W02521BLK (6001)	Drain Plug Complete	17
W02522C	Drain Plug Cap	18
W04003PP	24" Base Stand	n/a
PRE 2006		
6021 (W02992-2HBG)	1.5" Adaptor Union (Plus Sleeve) (Set Of 2)	15
6004 (1522)(W12332)	1.5" Adaptor Gasket (Set Of 2)	16
6113 (W02989)	1.5" Bulkhead Fitting Including Nut	13
1520 (W12253-2HBG)	1.5" Bulkhead Gasket	14

PLEASE NOTE: 1 1/2" Lacron filters manufactured pre 2006 will have union adaptors (Barrel Unions) with **flat gaskets** 1 1/2" Lacron filters manufactured post 2006 will have union adaptors (Barrel Unions) with 'O' rings



Lacron LSR - 30

Part Number	Product Description	Diagram No.
6012 (1304A)	Lacron Lid Removal Tool (8" New Type)	1
W22235	LID REMOVAL TOOL PLASTIC	n/s
6000 (6209292)	Lacron Lid (Polycarbonate 8" New Type)	2
6011 (621053)	Lacron Lid 'O' Ring 8"	3
W02066	Rose Distributor	4
1671	$\frac{3}{4}$ " Self Tap Screw (Pack Of 10)	5
1370	2" Header (Less Rose)	6
W12045	Air Bleed Cap. Also order 1 x 85251 Rubber Grommit @ £0.85	7
W02550 (17103)	30" Lacron Airbleed	8
6007 (W02985)	120mm Lateral (Candle) (X 4 required per filter)	9
6008 (W02984 + W02991)	180mm Lateral (Candle) (X 4 required per filter)	10
6009 (W02991 + W02985)	240mm Lateral (Candle) (X 6 required per filter)	11
W22219 (1395)	Lateral (Candle) Set	12
W22217 (1369)	30" - 2" Underdrain Less Candles	13
6014 (W12065)	2" Bulkhead Fitting (Plus Nut)	14
6016 (W12252 x 2)	2" Bulkhead Gasket (Set Of 2)	15
6022 (W02983 + W02982)	2" Adaptor Union (Plus Sleeve) (Set Of 2)	16
6005 (W12253-2HBG)	2" Adaptor Gasket (Set Of 2)	17
W02026BLK (6001)	Drain Plug Complete	18
W02522C	Drain Plug Cap	19
W04004PP	30" Base Stand	n/a



Lacron LSC - 36 - 2

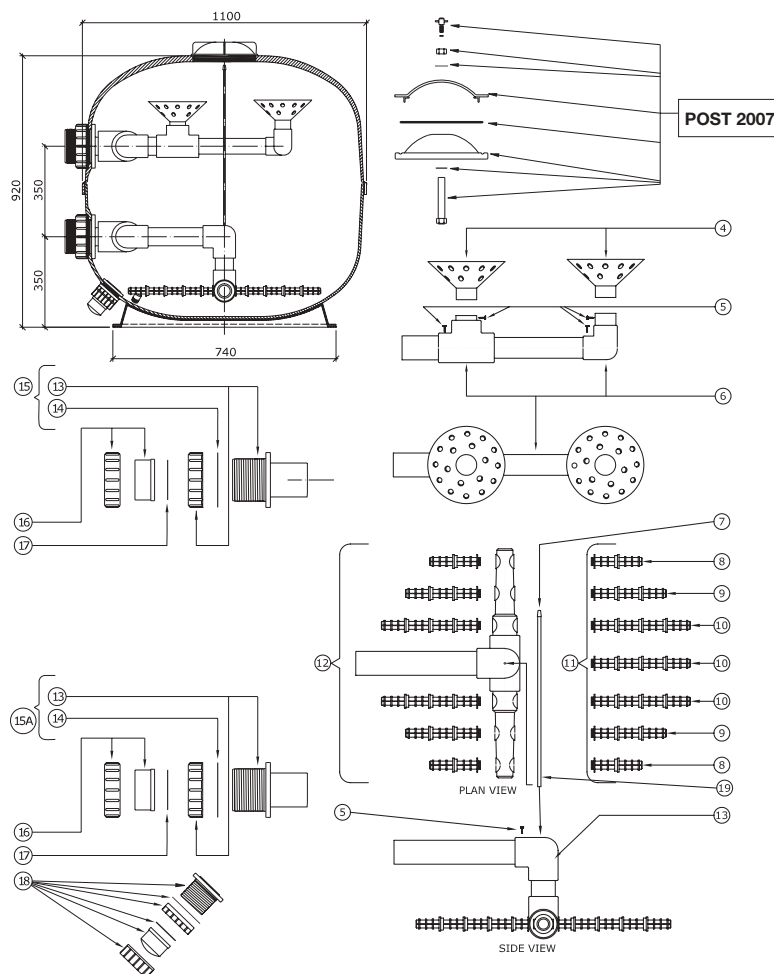
Part Number	Product Description	Diagram No.
W02066	Rose Distributor	4
1671	3/4" Self Tap Screw (Pack Of 10)	5
1370 (W022072)	2" Header (Less Rose)	6
W12045	Air Relief Tube Screen	7
17104 (W2222)	36" Lacron Airbleed (840mm)	19
6007 (W02985)	120mm Lateral (Candle) (X 4 required per filter)	8
6008 (W02984 + W02991)	180mm Lateral (Candle) (X 4 required per filter)	9
6009 (W02991 + W02985)	240mm Lateral (Candle) (X 6 required per filter)	10
1395A	Lateral (Candle) Set	11
1388B	2" Underdrain Less Candles	12a,12b,12c
6014 (W12065)	2" Bulkhead Fitting (Plus Nut)	13
6016 (W12252)	2" Bulkhead Gasket (Set Of 2)	14
6022 (W02983 + W02982)	2" Adaptor Union (Plus Sleeve)	16
6005 (W12253 + 2HBG)	2" Adaptor Gasket (Set Of 2)	17
W04058BLK	40mm Drain Plug Complete	18
W04854	36" Base Stand	N/s

For filters supplied prior to Clamp Style Lid

6012 (1304A)	Lacron Lid Removal Tool (8" New Type)	n/s
6000 (6209292)	Lacron Lid (Polycarbonate 8" New Type)	n/s
6011 (621053)	Lacron Lid 'O' Ring	n/s

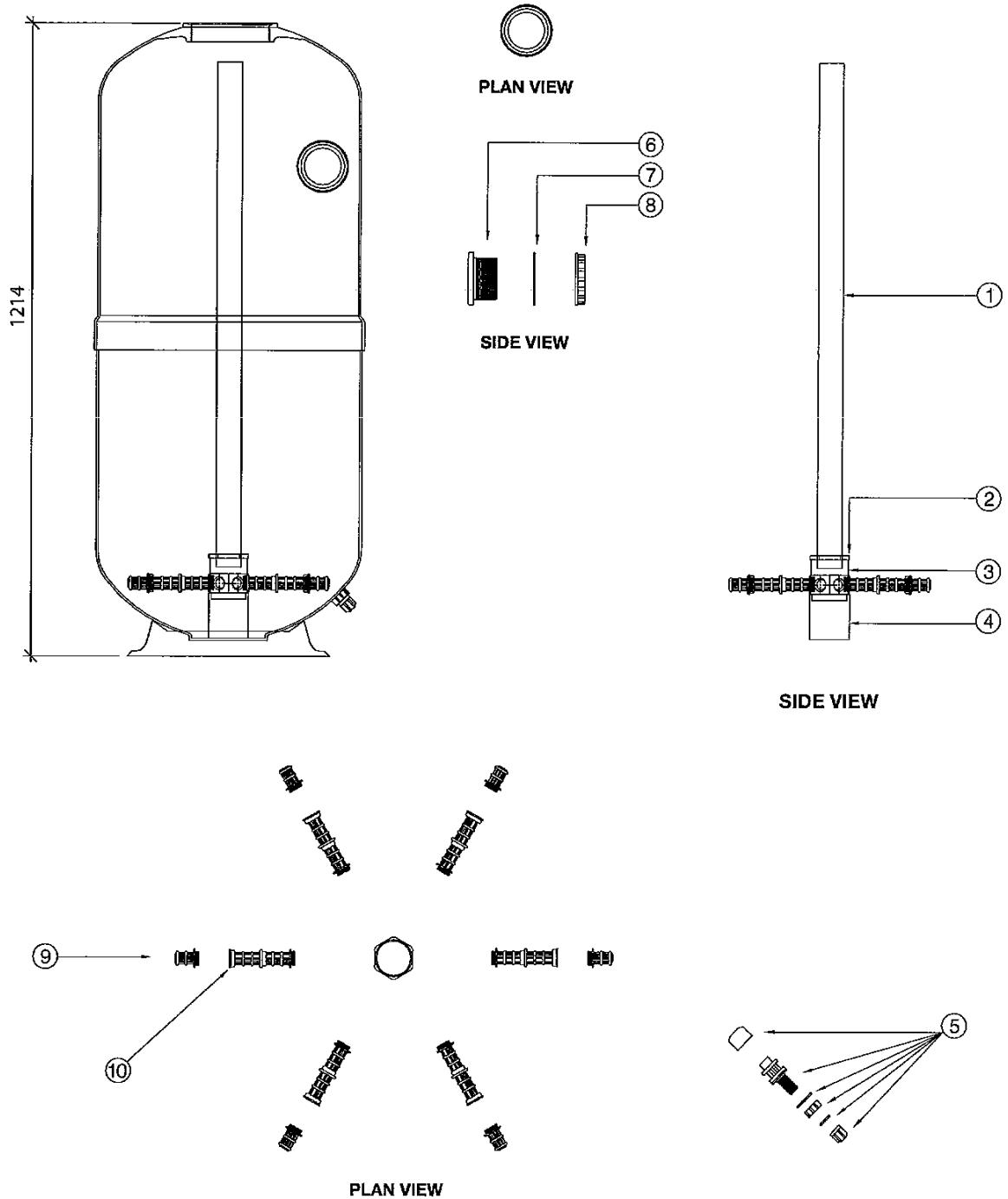
Post 2007 'Clamp Lid'

W12076	Nylon Air Relief Tap + 'O' Ring
W12248	Lid Retaining Clamp C/W Screw & Nut
W02933 (1993)	Small Oval Lid O Ring
W12135	Small Oval Lid



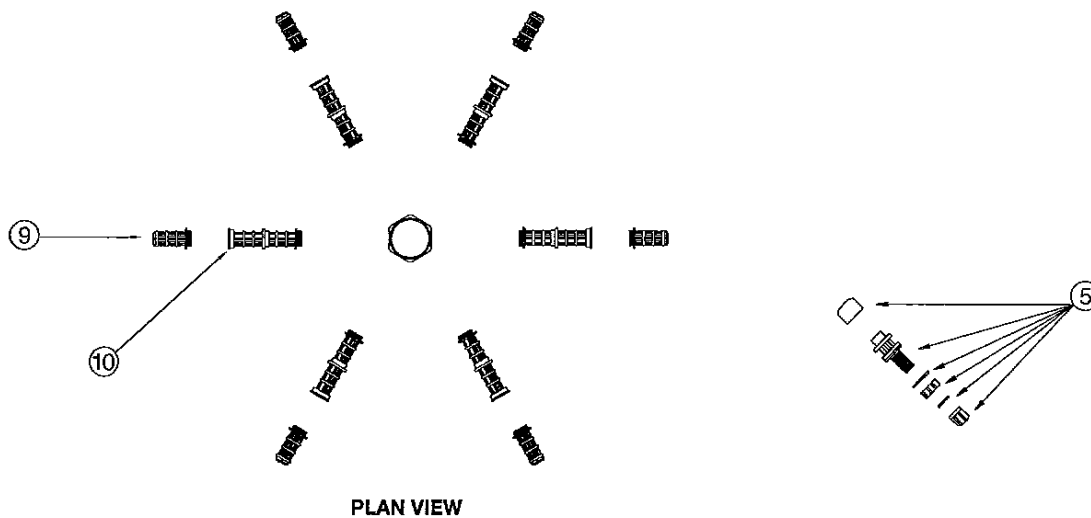
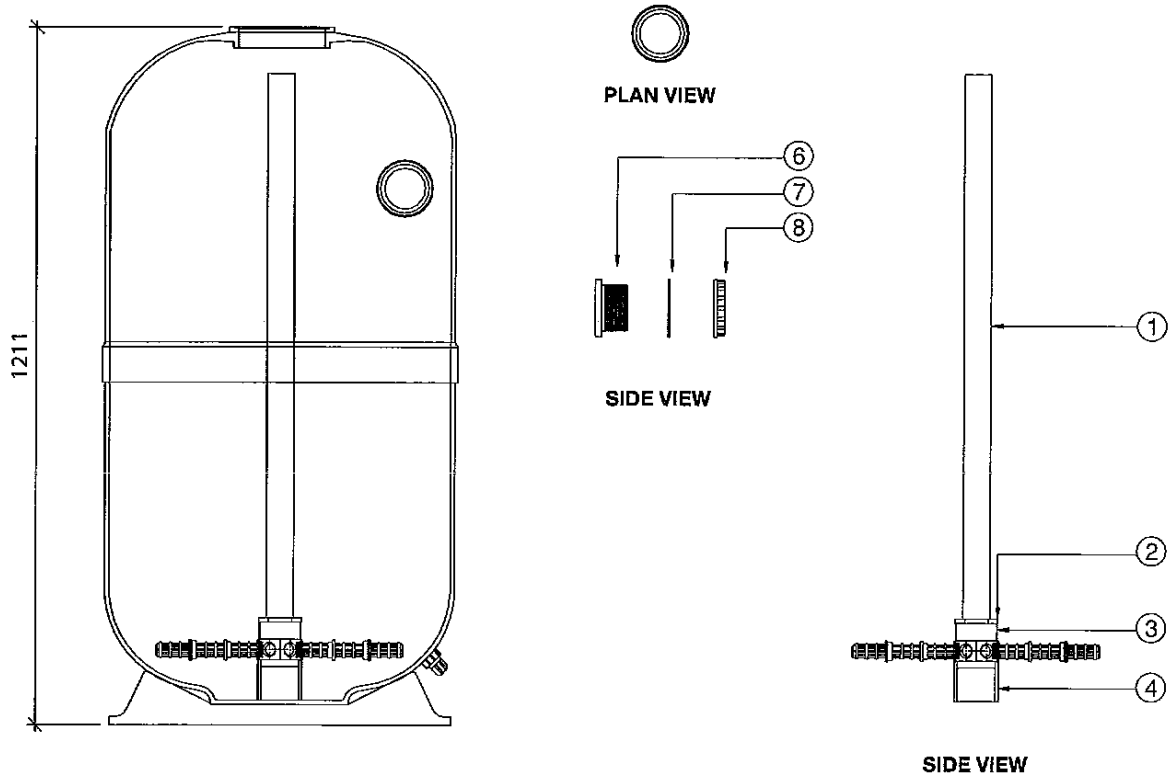
Lacron Plus Top Mount 20

Part Number	Product Description	Diagram No.
W99019	Pipe 1.5"	1
12555BLK	REDUCING BUSH 50 X 40	2
W12241	Hexagonal Manifold	3
116512	Pipe 65mm CL 12	4
W02026BLK (6001)	Drain Plug Complete 15mm	5
W22314	Sight glass 2" moulded	6
W02080	Gasket sight glass 2"	7
W02567	B/H lock Nut 2"	8
W02986	Candle 40mm capped (6 required per filter)	9
W02991	Candle 120mm open (6 required per filter)	10



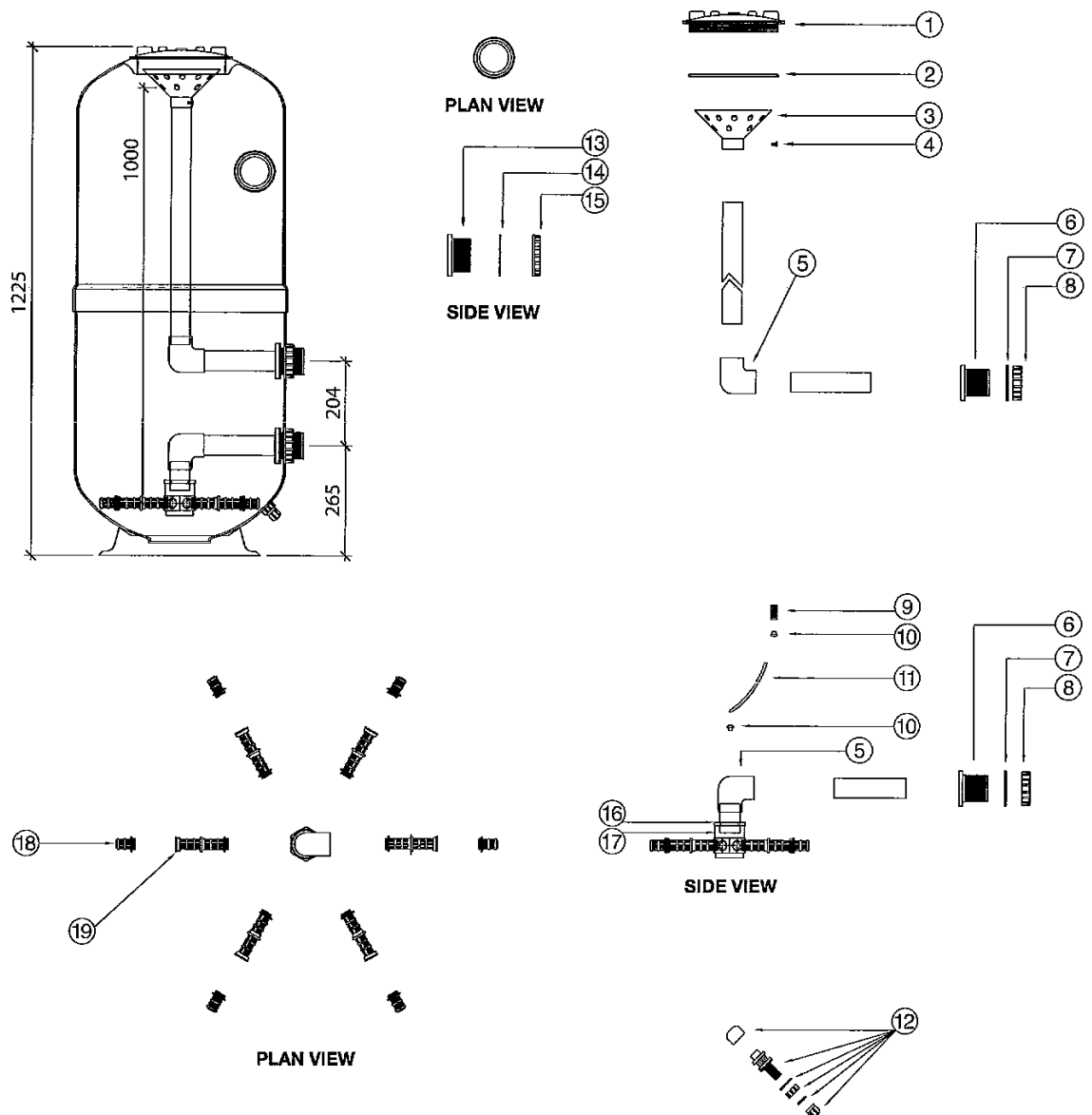
Lacron Plus Top Mount 24

Part Number	Product Description	Diagram No.
W99019	Pipe 1.5"	1
12555BLK	REDUCING BUSH 50 X 40	2
W12241	Hexagonal Manifold	3
116512	Pipe 65mm CL 12	4
W02026BLK (6001)	Drain Plug Complete 15mm	5
W22314	Sight glass 2" moulded	6
W02080	Gasket sight glass 2"	7
W02567	B/H lock Nut 2"	8
W02984	Candle 40mm capped (6 required per filter)	9
W02991	Candle 120mm open (6 required per filter)	10



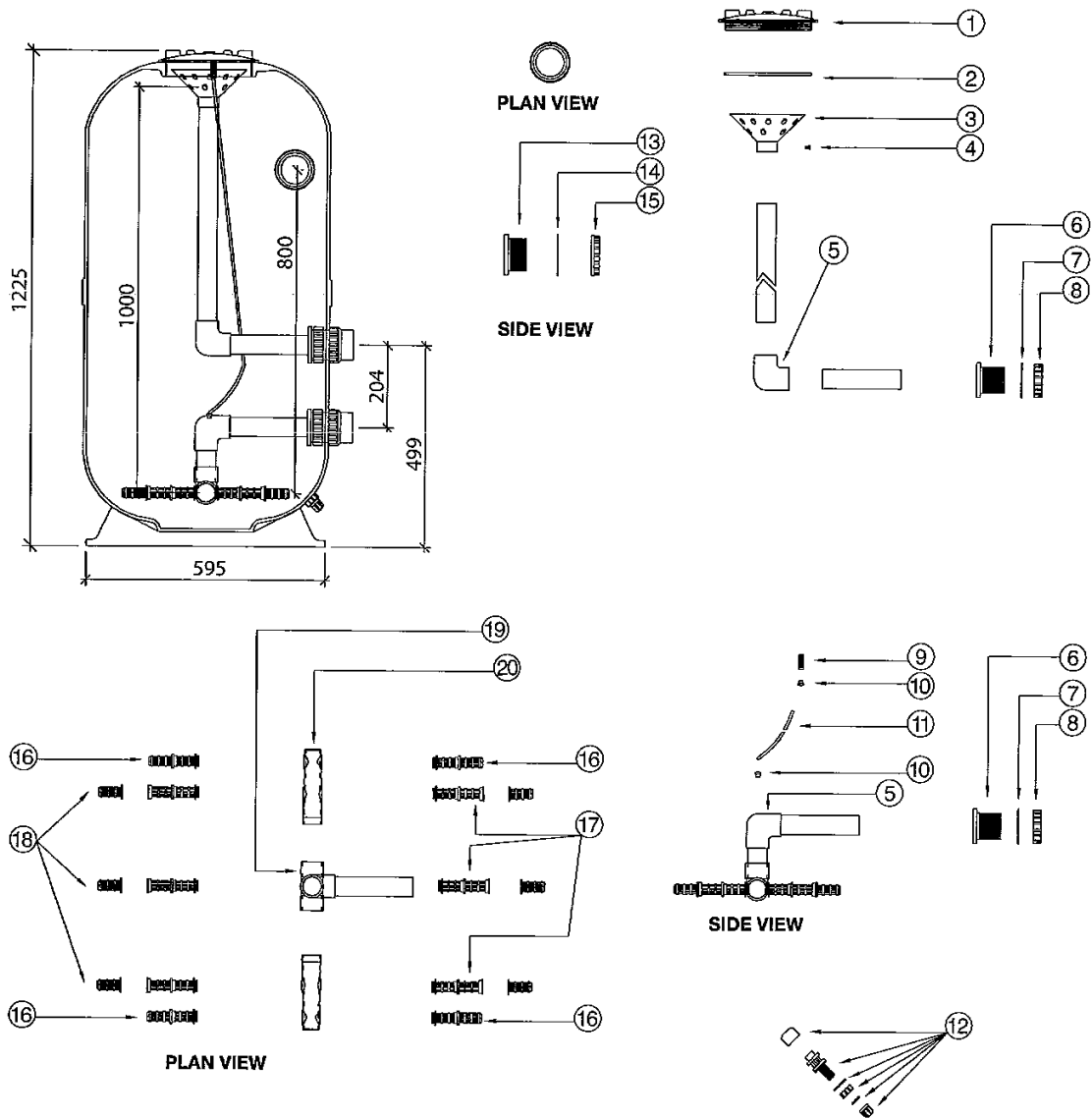
Lacron Plus Side Mount 20"

Part Number	Product Description	Diagram No.
6012 (1304A)	Lid removal tool (8" new type)	
W22235	Lacron Lid removal tool - Plastic	
6000 (6209292)	Lid (New type 8") Polycarbonate	1
6011 (621053)	Lid 'O' Ring	2
W02066	Rose distributor	3
W02214	Screw 8 x 5/8"	4
121340	Elbow 90deg. 50mm (Qty 2 required per filter)	5
W02272BLK	Bulkhead threaded body 50mm Black (Qty 2 required per filter)	6
W02268	Gasket Bulkhead body 50mm (Qty 2 required per filter)	7
W02271BLK	Bulkhead lock nut (Qty 2 required per filter)	8
W02289	Air Relief Tube Screen	9
85251	Gulfstream Plug (Qty 2 required per filter)	10
W02558	Airbleed Tube (1 m)	11
W02026BLK (6001)	Drain Plug complete 15mm	12
W22314	Sight glass 2" Moulded	13
W02080	Gasket Sight glass 2"	14
W02567	B/Head Lock Nut 2"	15
W1255BLK	Reducing Bush	16
W12087	Hexagonal manifold	17
W02986	Candle 40mm capped (Qty 6 required per filter)	18
W02991	Candle 120mm open (Qty 6 required per filter)	19



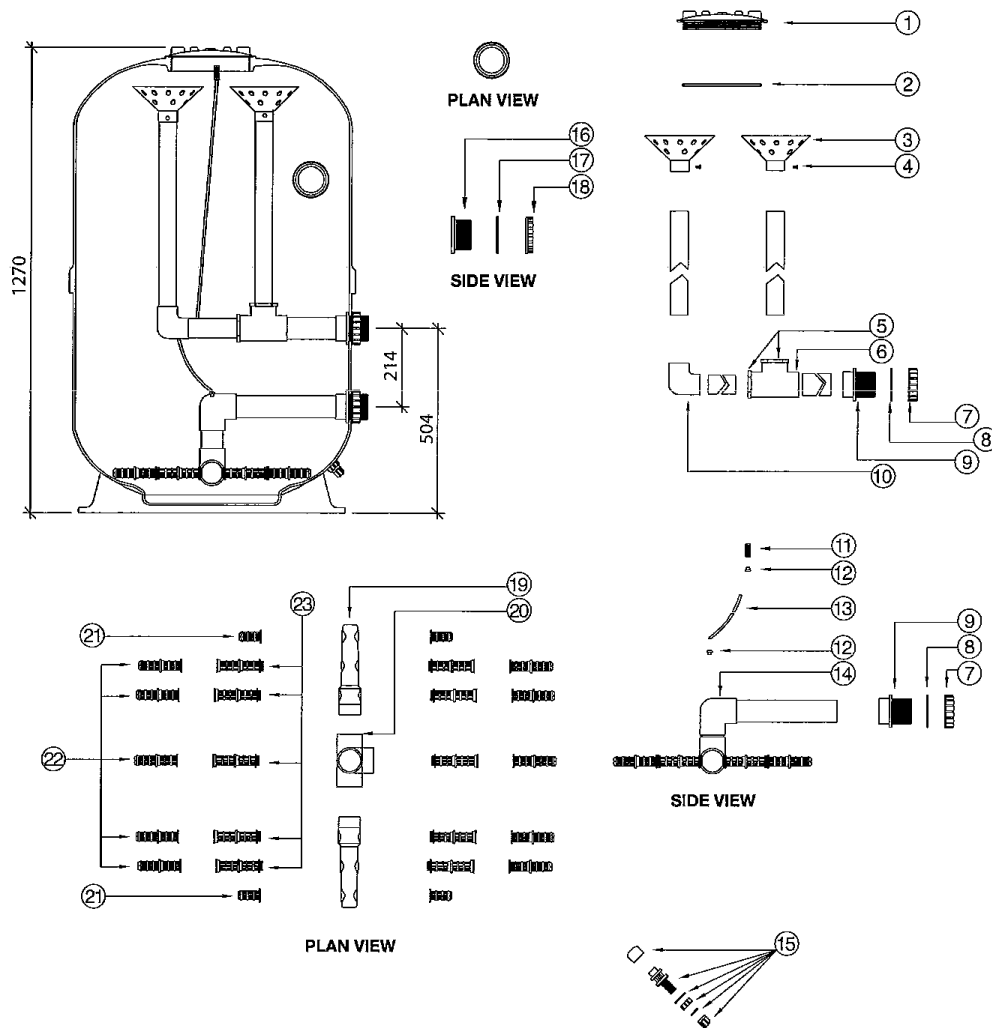
Lacron Plus Side Mount 24

Part Number	Product Description	Diagram No.
6012 (1304A)	Lid removal tool (8" new type)	n/s
W22235	Lacron Lid removal tool - Plastic	n/s
6000 (6209292)	Lid (New type 8") Polycarbonate	1
6011 (621053)	Lid 'O' Ring	2
W02066	Rose distributor	3
W02214	Screw 8 x 5/8"	4
121340	Elbow 90deg. 50mm (Qty 2 required per filter)	5
W02272BLK	Bulkhead threaded body 50mm Black (Qty 2 required per filter)	6
W02268	Gasket Bulkhead body 50mm (Qty 2 required per filter)	7
W02271BLK	Bulkhead lock nut (Qty 2 required per filter)	8
W02289	Air Relief Tube Screen	9
85251	Gulfstream Plug (Qty 2 required per filter)	10
W02558	Airbleed Tube (1 M)	11
W02026BLK	Drain Plug complete 15mm	12
W22314	Sight glass 2" Moulded	13
W02080	Gasket Sight glass 2"	14
W02567	B/Head Lock Nut 2"	15
w02985	Candle 120mm capped (Qty 4 required per filter)	16
W02991	Candle 120mm open (Qty 6 required per filter)	17
W02984	Candle 60mm capped (Qty 6 required per filter)	18
W12086	Tapped Tee	19
W12088	Tapped 2 Hole collector	20



Lacron Plus Side Mount 30

Part Number	Product Description	Diagram No.
6012 (1304A)	Lid removal tool (8" new type)	n/s
W22235	Lacron Lid removal tool - Plastic	n/s
6000 (6209292)	Lid (New type 8") Polycarbonate	1
6011 (621053)	Lid 'O' Ring	2
W02066	Rose distributor (Qty 2 required per filter)	3
W02214	Screw 8 x 5/8"	4
125555BLK	Reducing Bush	5
121950	2" Tee	6
W12066	B/head lock nut 2" (Qty 2 required per filter)	7
W12252	Gasket B/head (Qty 2 required per filter)	8
W12067	B/head body 2" (Qty 2 required per filter)	9
121340	Elbow 90deg. 50mm (Qty 2 required per filter)	10
W02289	Air Relief Tube Screen	11
85251	Gulfstream Plug (Qty 2 required per filter)	12
W02558	Airbleed Tube (1 M)	13
121350	Elbow 2"	14
W02026BLK	Drain Plug complete 15mm	15
W22314	Sight glass 2" Moulded	16
W02080	Gasket Sight glass 2"	17
W02567	B/Head Lock Nut 2"	18
W12089	Tapped 3-Hole Collector	19
W12119	Tapped Tee 2"	20
W02984	Candle 60mm capped (Qty 4 required per filter)	21
w02985	Candle 120mm capped (Qty 4 required per filter)	22
W02991	Candle 120mm open (Qty 6 required per filter)	23

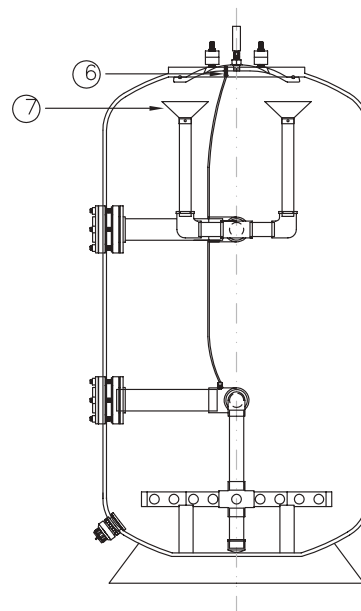
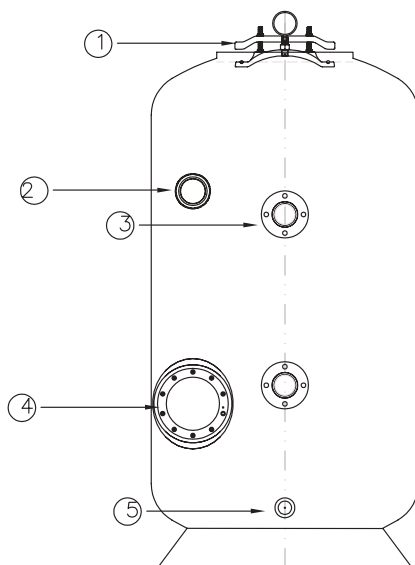
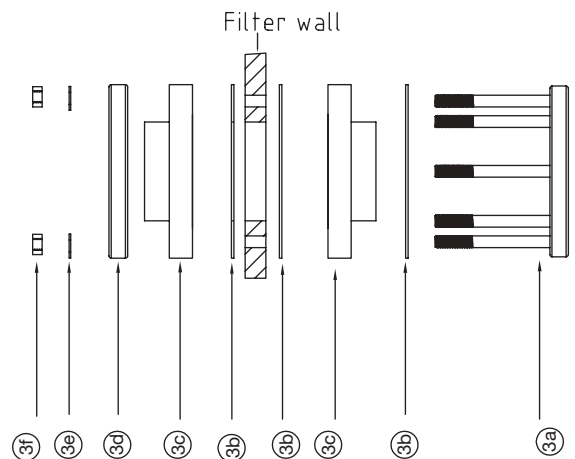


SMD / SMDD Side Mount Deep Bed Filters

Part Number	Product Description	Nos.	Diagram No.
W12720	Man Hole Cover 4 Stud Complete		1
6209430	Lid Yoke Lacron (2 required)		
620266	O Ring Manhole Cover Oval 4 Stud - Waterco		
634080BLK	Barrel Union Lock Nut 80mm Black (2 required -SMD only)		3
6340801	Barrel Union Lock Nut 100mm Black (2 required O ring -SMD only)		3
W02249	O B/U 90mm O ring -SMD only		3
W02553	O B/U 110mm O ring - SMD only		3
62380	Sight Glass 3" Complete (Post 2008)		2
W12132	Sight Glass 3" Acrylic Cap (Pre 2008)		2
W12299	Side Manhole Cover 18 Hole Oval		4
W12050FG	Side Hatch Round 200mm		4
W12300	Gasket for Side Manhole Oval 18 Hole		4
W12216	O Ring G210 for Side Hatch Round 200mm		4
W02026BLK	Drain Plug complete 15mm		5
W04058BLK	Drain Plug complete 40mm		5
6209305	Drain Plug complete 50mm		5
620936	Drain Plug Assembly Connector 1" BSPT		
W02066	Funnel For Port Size 3" & 4" (90mm & 110mm) (4 required) & 50mm		7
621013	Funnel for Port Size 6" (150mm) (4 required)		7
W02289	Air Relief Tube Screen		6
85251	Gulfstream Plug (2 required)		6
W02539	Bulkhead gasket 4"/110mm		
12221006	Bulkhead locknut 4"/110mm		
12221007	Bulkhead threaded body 4"/110mm		

For pressure gauges - see page 16 of main price list

Part Number	Product Description	Nos.	Diagram No.	Port Size
W22634	Flange Stud Ring	2	3a	3"
W22139		2		4"
W22410		2		6"
1216801	Gasket Flange	6	3b	3"
63453063		6		4"
W02251		6		6"
1216803	PVC Flange	4	3c	3"
12161004		4		4"
W12540		4		6"
W22633	Flange Clamp Ring	2	3d	3"
W22141		2		4"
W22142		2		6"
W12126	Washer SS304	8	3e	3"
W12126		16		4"
W12539		16		6"
W12912		8		3"
W12912	Hex Nut SS304	16		4"
W12910		16		6"



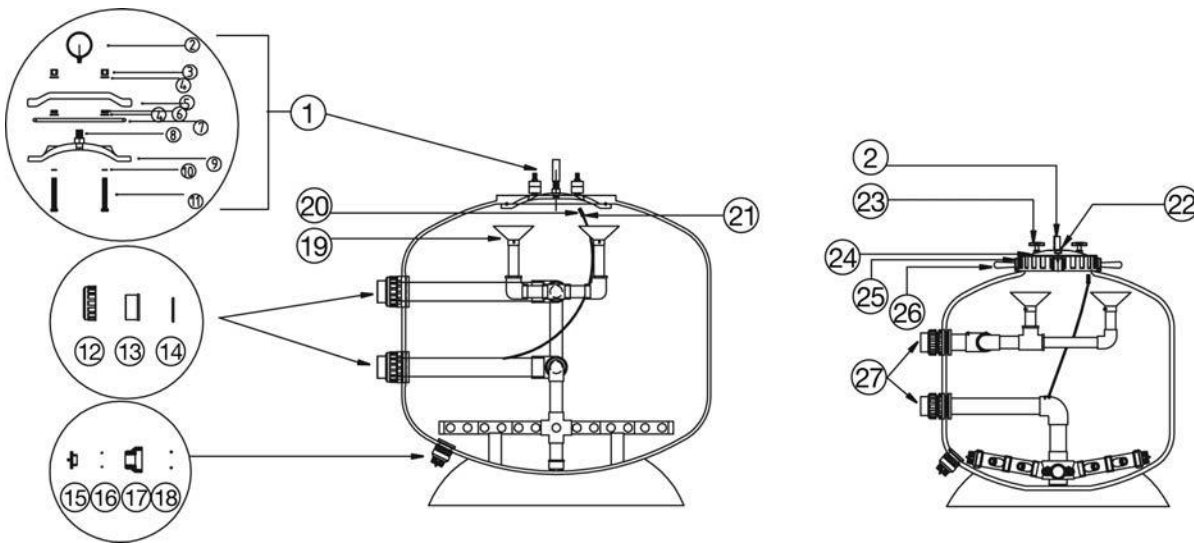
SMD / SMDD Side Mount Deep Bed Filters

Part No:	Manifold	WO2111PP	WO2112PP	WO2113PP	WO2114PP	WO2117PP	WO2158PP	W12073	WO2156	WO2157	6200912	WO2269BLK	WO2270BLK
		LATERALS				Lateral End Cap Nut	Lateral End Plug (male)	HRZ Cross Tee	HRZ LCT Extension	HRZ LCT End Cap	Extension Arm	Cap Body	Cap Nut
Model		75mm	110mm	145mm	200mm								
SMD/SMDD400	50mm	8	-	-	-	8	-	-	-	-	-		
SMD/SMDD500	50mm	-	-	8	-	8	-	-	-	-	-		
SMD/SMDD600	50mm	8	8	-	-	8	-	-	-	-	-		
SMD/SMDD750	63mm	8	-	8	-	8	-	-	-	-	-		
SMD/SMDD900 63mm Port	63mm	8	-	-	8	8	-	-	-	-	-		
SMD/SMDD900 90mm Port	-	4	22	4	2	36	4	2	8	4	-		
SMD/SMDD1050 63mm Port	63mm	-	8	8	-	8	-	-	-	-	-		
SMD/SMDD1050 75mm Port	75mm	8	16	-	12	20	-	-	-	-	8	4	4
SMD/SMDD1050 90mm Port	-	8	20	10	4	32	4	2	8	4	-		
SMD/SMDD1200 63mm Port	63mm	8	-	-	16	8	-	-	-	-	-		
SMD/SMDD1200 75mm Port	75mm	16	4	20	12	28	-	-	-	-	12	4	4
SMD/SMDD1200 90mm Port	-	2	26	8	6	32	4	2	8	4	-		
SMD/SMDD1200 90Port wLateral manhole#620947	-	3	6	25	6	32	4	2	8	4	-		
SMD/SMDD1200 110mm Port	-	4	4	4	36	-	48	-	-	-	-		
SMD/SMDD1400 90mm Port	-	8	8	36	14	48	4	2	12	4	-		
SMD/SMDD1400 110mm Port	-	10	8	12	32	-	52	-	-	-	-		
SMD/SMDD1600 90mm Port	-	4	16	42	18	48	4	2	12	4	-		
SMD/SMDD1600 110mm Port	-	10	22	22	38	-	60	-	-	-	-		
SMD/SMDD1600 160mm Port	-	18	8	80	14	-	68	-	-	-	-		
SMD/SMDD1800 110mm Port	-	8	42	22	68	-	76	-	-	-	-		
SMD/SMDD1800 150mm Port	-	46	4	22	68	-	76	-	-	-	-		
SMD/SMDD2000 110mm Port	-	2	52	20	74	-	80	-	-	-	-		
SMD/SMDD2000 160mm Port	-	22	54	30	68	-	80	-	-	-	-		
SMD/SMDD2000 160Port wLateral manhole #620947	-	22	53	29	68	-	80	-	-	-	-		
SMDD2200 160mm Port	-	64	34	30	88	-	96	-	-	-	-		
SMD/SMDD2350 160mm Port	-	4	62	42	122	-	104	-	-	-	-		
SMD/SMDD2500 160mm Port	-	54	4	20	160	-	108	-	-	-	-		

Micron Side Mount Commercial Filters

Part Number	Product Description	Diagram No.
W12720	Man Hole Cover 4 Stud Complete	1
6209430	Lid Yoke Lacron (2 required)	
620226	O Ring Manhole Cover Oval 4 Stud - Waterco	
634080BLK	3" Half Union Black (2 required)	12/13/14
634080EBLK	90mm half union black	12/13/14
6340801	110mm Half Union Black (2 required)	12/13/14
W02249	O Ring B/U 90mm	14
W02553	O Ring B/U 110mm	14
W04058BLK	Drain Plug complete 40mm	15/16/17/18
W02066	Funnel For Port Size 3" & 4" (90mm & 110mm) (4 required)	19
W02289	Air Relief Tube Screen	20
85251	Gulfstream Plug (2 required)	21
620221	Air Relief Valve	22
6202321	Handle for lid 12" (2 required)	23
W02630	Lid 12"	24
620232	Lock Ring 12"	25
6202321	Screwed handle for 12" lock ring (4 required)	26
62027	lid o ring 12"	26
63406565BLK	Half union 65mm c/w O ring (2 required)	27
W02539	Bulkhead gasket 4"/110mm	
12221006	Bulkhead locknut 4"/110mm	
12221007	Bulkhead threaded body 4"/110mm	

For pressure gauges - see page 16 of main price list



Part No:	Manifold	W0211PP	W02112PP	W02113PP	W02114PP	W02117PP	W02158PP	W12073	W02156	W02157	6200912	W02269BLK	W02270BLK
		LATERALS				Lateral End Cap Nut	Lateral End Plug (male)	Hz Cross Tee	Hz LCT Extension	Hz LCT End Cap	Extension Arm	Cap Body	Cap Nut
Model		75mm	110mm	145mm	200mm								
SM1050 75mm Port	65mm	8	16	-	12	20	-	-	-	-	8	4	4
SM1050	80mm	8	20	10	4	32	4	2	8	4	-		
SM1200 75mm Port	65mm	16	4	20	12	28	-	-	-	-	12	4	4
SM1200	-	2	26	8	6	32	4	2	8	4	-		
SM1400	-	8	8	36	14	48	4	2	12	4	-		
SM1600 90mm Port	-	4	16	42	18	48	4	2	12	4	-		
SM1600 110mm Port	-	10	22	22	38	-	60	-	-	-	-		
SM1800	-	8	42	22	68	-	76	-	-	-	-		
SM2000	-	2	52	20	74	-	80	-	-	-	-		
SM2200 110mm Port	-	20	34	78	88	-	96	-	-	-	-		
SM2200 160mm Port	-	64	34	30	88	-	96	-	-	-	-		

SPDD Side Mount Deep Bed Commercial Filters

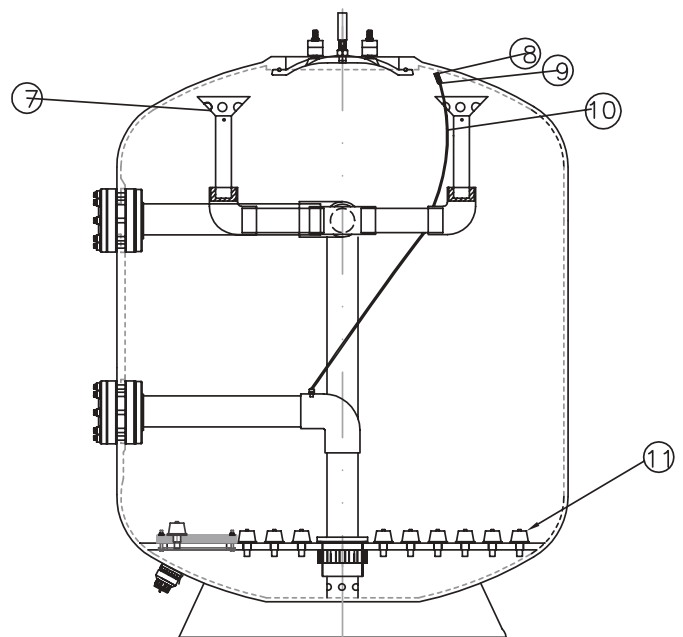
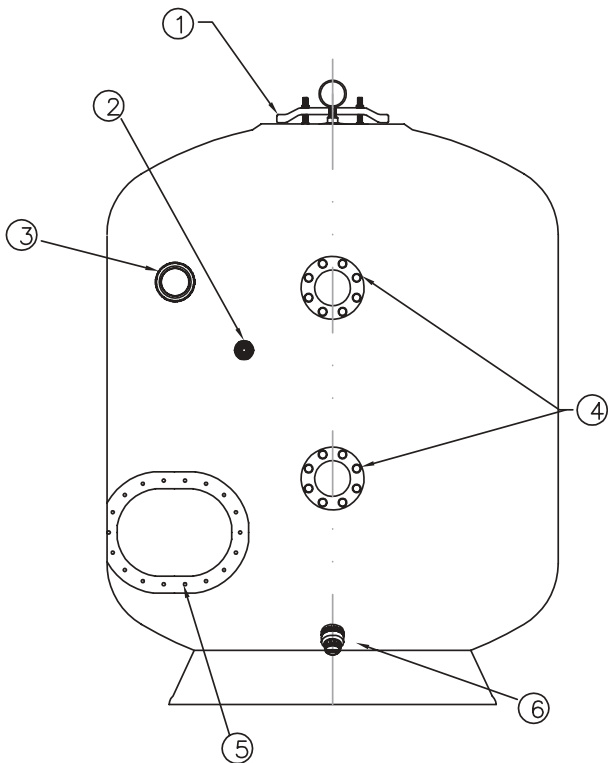
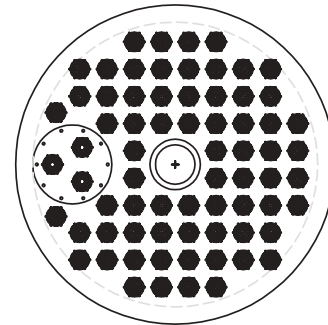
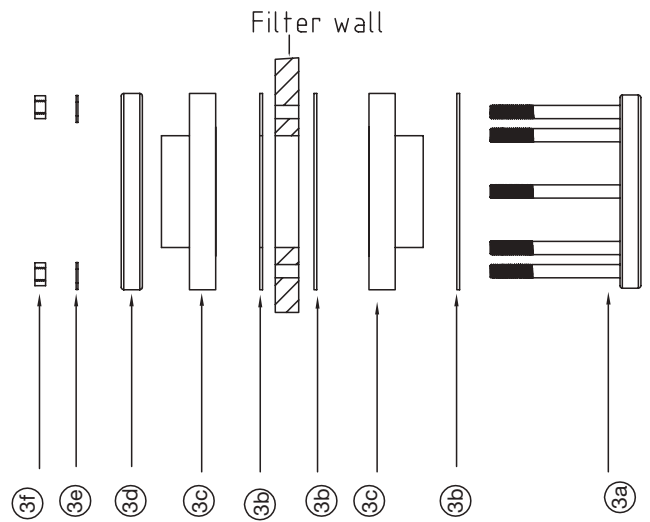
Part Number	Product Description	Nos.	Diagram No.
W12720	Man Hole Cover 4 Stud Complete		1
6209430	Lid Yoke Lacron (2 required)		
620266	O Ring Manhole Cover Oval 4 Stud - Waterco		
634080BLK	Union Black (2 required)		
6340801	Half Union Black (2 required)		
W02249	O B/U 90mm		
W02553	O B/U 110mm		
62380	Sight Glass 3" Complete (Post 2008)	3	
W12132	Sight Glass 3" Acrylic Cap (Pre 2008)	3	
W12299	Side Manhole Cover 18 Hole Oval	5	
W12050FG	Side Hatch Round 200mm	5	
W12300	Gasket for Side Manhole Oval 18 Hole	5	
W12216	O Ring G210 for Side Hatch Round 200mm	5	
W02026BLK	Drain Plug complete 15mm	6	
W04058BLK	Drain Plug complete 40mm	6	
6209305	Drain Plug complete 50mm	6	
620936	Drain Plug Assembly Connector 1" BSPT		
W02066	Funnel For Port Size 3" & 4" (90mm & 110mm) (4 required) & 50mm	7	
621013	Funnel for Port Size 6" (160mm) (4 required)	7	
W02289	Air Relief Tube Screen	8	
85251	Gulfstream Plug (2 required)		
1547	Filter Nozzle		
	Numbers of nozzles required for model:-		
	SPDD1050 (80mm port) - 59 required		
	SPDD1200 (80mm port) - 71 required		
	SPDD1400 (100mm port) - 101 required		
	SPDD1600 (100mm port) - 139 required		
	SPDD1800 (150mm port) - 187 required		
	SPDD2000 (150mm port) - 207 required		
	SPDD2200 (150mm port) - 263 required		
	SPDD2350 (150mm port) - 317 required		

For pressure gauges - see page 16 of main price list

* For diagram and flange fittings please see next page

SPDD Side Mount Deep Bed Commercial Filters

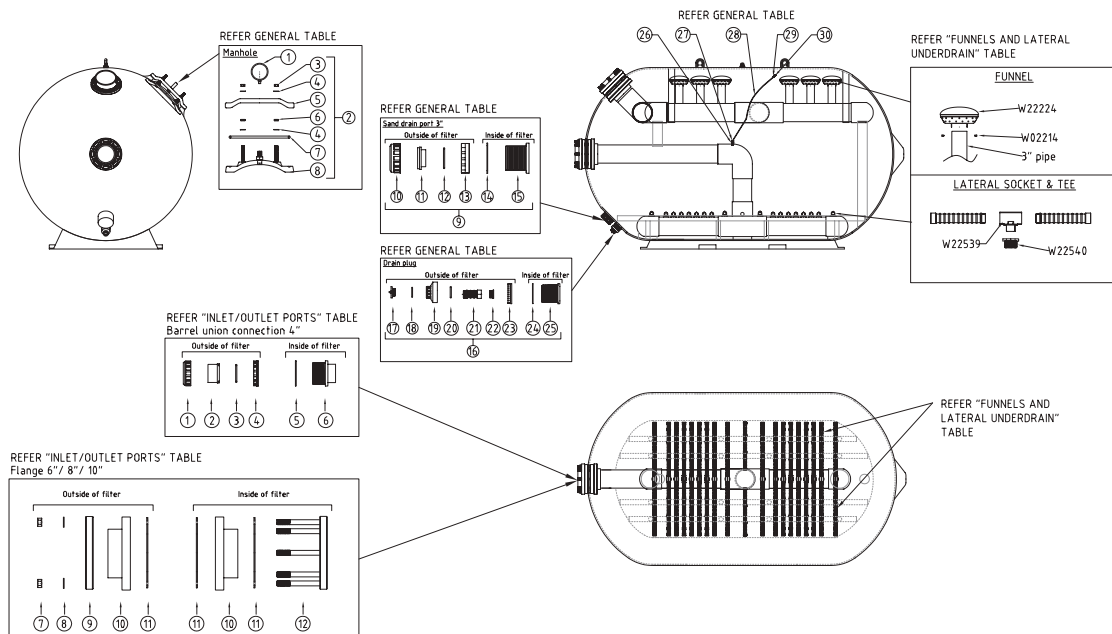
Part Number	Product Description	Nos.	Diagram No.	Port Size
W22634		2	3a	3"
W22139	Flange Stud Ring	2		4"
W22410		2		6"
1216801	Gasket Flange	6	3b	3"
63453063		6		4"
W02251		6		6"
1216803	PVC Flange	4	3c	3"
12161004		4		4"
W12540		4		6"
W22633	Flange Clamp Ring	2	3d	3"
W22141		2		4"
W22142		2		6"
W12126	Washer SS304	8	3e	3"
W12126		16		4"
W12539		16		6"
W12912	Hex Nut SS304	8	3f	3"
W12912		16		4"
W12910		16		6"



Micron Horizontal Commercial Sand Filters

Part Number	Product Description	M Series	MD Series	Diagram No.
W24319	Manhole Cover 600 Oval MK2 Complete		1	2
W12557	Manhole Cover 4-Stud Oval Pewter Complete	1		2
W22110	Nut Hex M22 S/S304		8	3
W12127	Nut Hex M16 S/S304	4		3
W22109	Washer M22 Full Face SS304		8	4
W12126	Washer M16 Full S/304	8		4
W24321	Manhole Cover Clamp 600mm Hole 24mm		2	5
6209430	Lid Yoke Lacron	2		5
W12324	Hex Thin Nut S/S M16	4		6
W12114	Manhole Cover 600mm O-Ring 674 x 534 x 12		1	7
W12304	O-Ring M/H Cover 4-Stud Lacaron L2611	1		7
W24320	Manhole Cover 600mm Oval 24mm Hole		1	8
W12558	Manhole Cover 4-Stud Oval Pewter	1		8
W22118L	Sand Drain 90mm Long Complete		1	9
W02253BLK	B/U Locking Nut 90mm Black		1	10
W22117	Sand Drain Cap 90mm		1	11
W02249	O-Ring 90mm BU EDPM		1	12
W02254B	Bulkhead Lock Nut 90mm Black		1	13
W02250	Gasket 90mm Bulkhead Rubber		1	14
W02252BL	Bulkhead Threaded Body 90mm Black Long		1	15
6209305	Drain Plug 50mm Complete Black		1	16
W04058BLK	Drain Plug Complete 50mm Black	1		16
W02270BLK	Drain Plug End Cap 50mm Black	1	1	17
W02267	Drain Plug 50mm "O" Ring	1	1	18
W02971	Drain Plug Body 63mm Black		1	19
W02269BLK	Drain Plug Body 50mm Black	1		19
W02280	O Ring 63mm B/U Nitrile		1	20
W02213	O Ring 50mm B/U EPDM	1		20
620921	Lateral Waterco 75mm	1	1	21
6209251	Lateral End Cap Screw	1	1	22
W02567	Bulkhead Locking Ring 63mm BLK		1	23
W02271BLK	Bulkhead Locknut 50mm Black	1		23
W02080	Gasket 100 x 81 x 3mm Rubber		1	24
W02268	Gasket 50mm Bulkhead	1		24
W02970	Bulkhead Threaded Body 63mm Long Black		1	25
W02272BLK	Bulkhead Threaded Body 50mm Black	1		25
W32284	Gland Nut Screw PG7	1	1	26
W32283	Gland Nut Stud	1	1	27
W32286	Air Bleed Rigid PVC Black	2.5	2.5	28
85251	Gulfstream Plug	1	1	29
W02289	Air Relief Tube Screen	1	1	30

For pressure gauges - see page 16 of main price list



Micron Horizontal Commercial Sand Filters

Commercial Horizontal Tables

Inlet / Outlet	Part No:	Description	M2500 (T-Style, Post 2011)	M3750 150mm (T-Style, Post 2011)	M5000 (T-Style, Post 2011)	MD5000 (T-Style, Post 2011)	MD5500 6" (T-Style, Post 2011)	MD5500 8" (T-Style, Post 2011)	MD6500 8" (T-Style, Post 2011)	MD8000 (T-Style, Post 2011)	MD10000 (T-Style, Post 2011)
Barrel Union Connection 4"	1	12221009	Barrel Union Lock Nut 100mm Black	2							
	2	12221011	Barrel Union Plain End 100mm Black	2							
	3	W02553	O Ring 100mm B/U Nitrile	2							
	4	12221006	Bulkhead Lock Nut 100mm Black	2							
	5	W02539	Gasket 100mm Bulkhead	2							
	6	12221007	Bulkhead Body 100mm Black	2							
Flange 6"	7	W12910	Nut Hex 3/4" BSW SS304		16	16	16	16			
	8	W12539	Washer M20 x 50mm x 3mm Flat S/S304		16	16	16	16			
	9	W22142	Flange Clamp Ring 6"		2	2	2	2			
	10	W22545	PVC Flange 6" ANSI SCH80 Vanstone NSF		6	4	4	4			
	11	W02251	Gasket HRZ Filter 280 x 4.5mm		6	6	6	6			
	12	W22140	Flange Inner Stud Ring 6" ANSI		2	2	2	2			
Flange 8"	7	W12910	Nut Hex 3/4" BSW SS304					16	16	16	
	8	W12539	Washer M20 x 50mm x 3mm Flat S/S304					16	16	16	
	9	W22343	Flange Clamp Ring 8"					2	2	2	
	10	W22936	PVC Flange 8" SCH80 Vanstone NSF					4	4	4	
	11	W12147	Gasket Flange PVC 343 x 5mm					6	6	6	
	12	W22342	Flange Inner Stud Ring 8" ANSI					2	2	2	
Flange 10"	7	W22959	Hex Nut 7/8" UNC SS316								24
	8	W22960	Washer 7/8" UNC SS316								24
	9	W22963	Flange Clamp Ring 10"								2
	10	W22877	PVC Flange 10" SCH80 Vanstone NSF								4
	11	W22228	Gasket Flange 10" ANSI								6
	12	W22962	Flange Inner Stud Ring 10" ANSI SS316								2

Micron Horizontal Commercial Sand Filters

Funnels and Lateral Underdrain Table

Part No:	Funnel				Lateral Under Drain			W22540	W22539
	W22224	W02214	620921	620922	620923	620924	6209251		
Description	Funnel Plastic 3" Hydrodome	UWL Screw #8 x 5/8 S/S	75mm	110mm	145mm	200mm	End Cap Screw	Lateral Socket 11/2 BSP x 25mm PVC	TEE Lateral Thread x 25mm PVC
M2500 (T-Style, Post 2011)	3	9	-	4	-	64	34	16	16
M3750 150mm (T-Style, Post 2011)	6	18	-	-	6	134	70	34	34
M5000 (T-Style, Post 2011)	10	30	-	-	6	134	70	34	34
MD5000 (T-Style, Post 2011)	5	15	28	12	26	72	38	18	18
MD5500 6" (T-Style, Post 2011)	6	18	36	-	38	76	38	18	18
MD5500 8" (T-Style, Post 2011)	6	18	28	-	30	60	30	14	14
MD6500 8" (T-Style, Post 2011)	6	18	36	-	38	76	38	18	18
MD8000 (T-Style, Post 2011)	8	24	52	-	58	116	58	28	28
MD10000 (T-Style, Post 2011)	10	30	-	68	70	140	70	34	34
Flange Inner Stud Ring 10" ANSI SS316									2

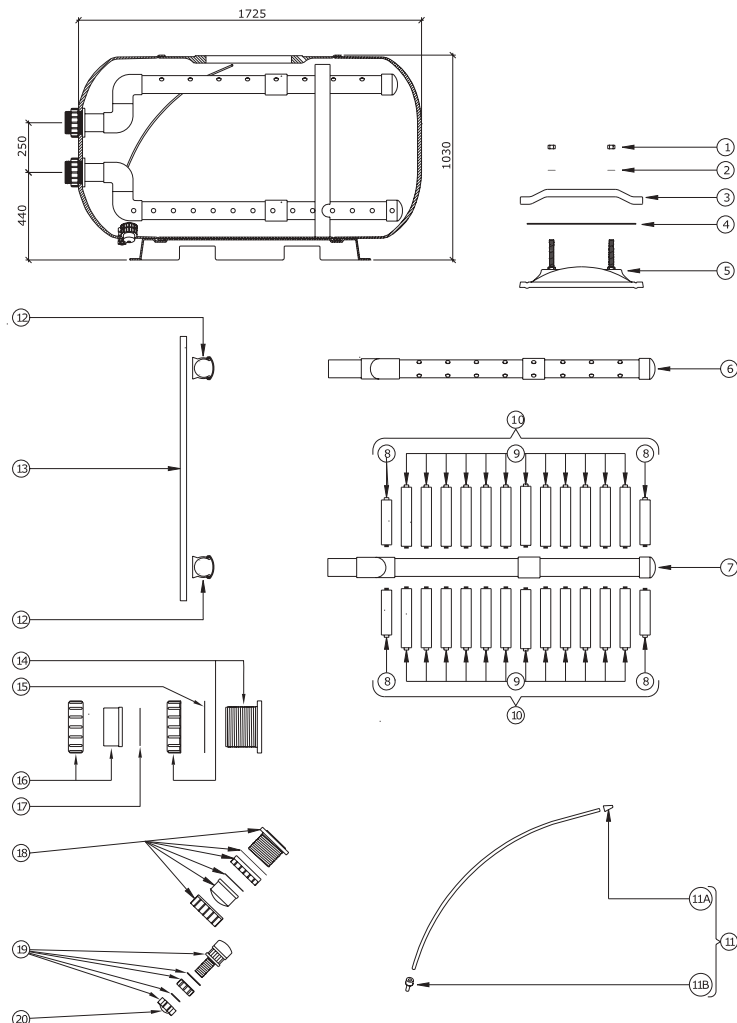
Hydron Split Tank Filter

Part Number	Product Description	Diagram No.	
W12720	Manhole cover 4 stud complete	1	
W12127	Hex nut M16 (4 Req.)	3	
W12126	Washer M16 s/s304 (8 Req.)	4	
6209430	Lid yoke Lacron (2 Req.)	5	
W12324	Hex thin nut (4 Req.)	6	
W12723	O-ring Manhole Cover Oval 4-stud	7	
W12724	s/s screw 1" BSW male 1/4" BSP Female thread	8	
W12722	Manhole Oval 4 stud	9	
W12301	O-ring BS113 (4 Req.)	10	
W12125	Hex Bolt (4 Req.)	11	
W22348	End Plug 3/4" BSP	12	
72591213	o-ring BS213	13	
W22349	Lock nut 1/2" BSP	14	
W02270BLK	Drain Plug 40mm Cap	15	
W02267	Drain Plug o-ring 40mm	16	
W02269BLK	Drain Plug Body 40mm	17	
W02213	o-ring B/U 40mm	18	
W02066	Funnel for side mount filters (3" & 4" / 90mm & 110mm)	19	
621013	Funnel for side mount filters (6" / 160mm)	19	
W02289	Air relief tube screen	20	
85251	Gulfstream plug (2 Req.)	21	
W22161	Steel flange 3" port	22A	
W22139	Inner flange stud ring 4" port (2 Req.)	22	
W22140	Inner flange stud ring 6" port (2 Req.)	22	
1216801	Flange Gasket 3" (6 Req.)	23	
63453063	Flange Gasket 4" (6 Req.)	23	
W02251	Flange Gasket 6" (6 Req.)	23	
1216803	PVC Stud flange 3" (2 Req.)	24	
12161004	PVC Stud flange 4" (2 Req.)	24	
W12540	PVC Stud flange 6" (2 Req.)	24	
W22141	Flange clamp ring 4"	25	
W22142	Flange clamp ring 6"	25	
W12126	Washer M16 Full face (3" & 4") (16 Req.)	26	
W12539	Washer M20x40x3 (6") (16 Req.)	26	
W12912	Hex nut (3" & 4") (16 Req.)	27	
W12910	Hex nut (6") (16 Req.)	27	
W12090	Bolt 3/4" BSW x 5.5" THRD 50mm	60 Req. for 1200 & 1400 72 Req. for 1600 90 Req. for 1800	28
W12539	Washer -flat	120 Req. for 1200 & 1400 144 Req. for 1600 180 Req. for 1800	29
W22422	Spring washer M20	60 Req. for 1200 & 1400 72 Req. for 1600 90 Req. for 1800	30
W12910	Hex Nut 3/4"BSW SS304	60 Req. for 1200 & 1400 72 Req. for 1600 90 Req. for 1800	31

For pressure gauges - see page 16 of main price list

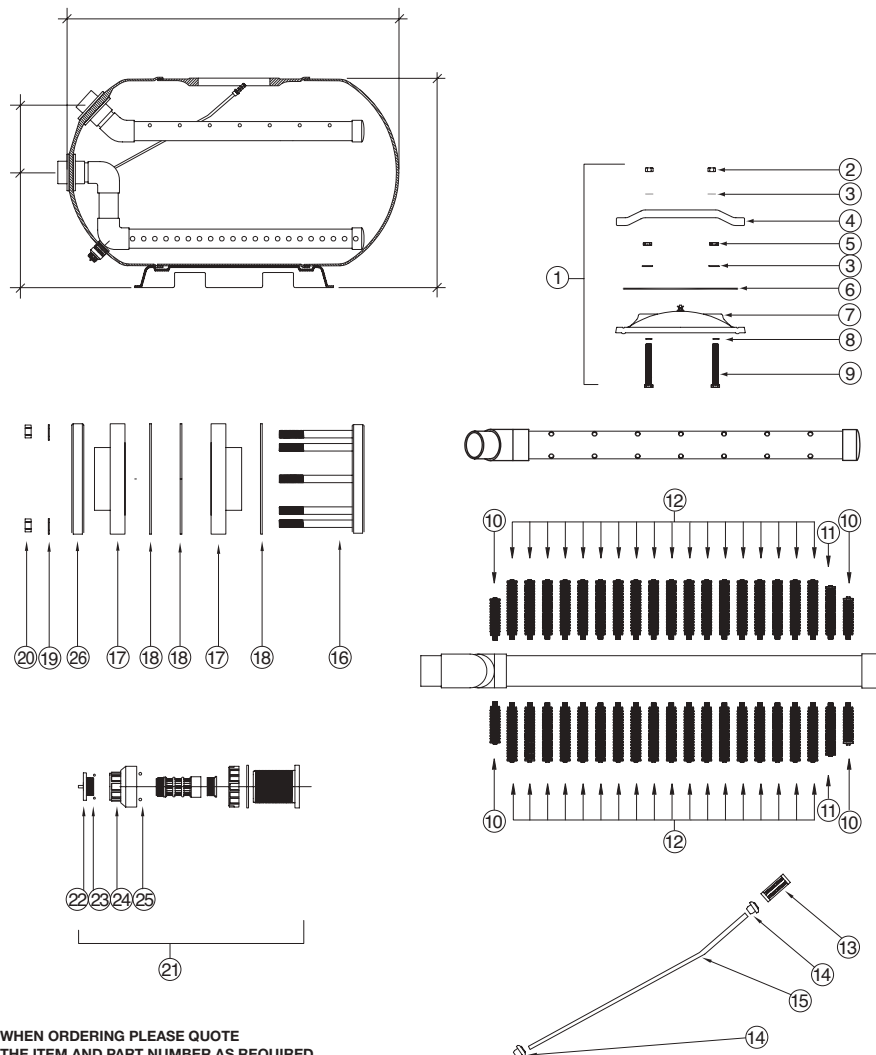
Lacron HZC - 36

Part Number	Product Description	Diagram No.
1762	M16 S/S Hex Nut	1
1769	M16 S/S Washer (Pack Of 5)	2
6209430	Lacron Lid Yoke Each	3
W12304	Lacron Oval Lid 'O' Ring (Old Square)	4
620266	Lacron Oval Lid 'O' Ring (New Round)	4A
W12722	Lacron 4 Stud Oval Lid	5
W12308	Manhole Lid 4 Stud Complete With Yoke, Nuts, Bolts 'O' Ring	1 to 5
1387F	HZC 36 Header Assy Complete	6
1387E	HZC 36 Underdrain Assy Complete	7
1319	Heavy Duty Laterals 206mm (X 4 required per filter)	8
1320	Heavy Duty Laterals 238mm (X 24 required per filter)	9
1387J	Heavy Duty Lateral Set Complete	10
17104A	HZC 36 Airbleed Assy Complete	11
W12045	Airbleed Cap	11A
1474	1/4" Airbleed Adaptor Fixing	11B
2613	3" Pipe Clamp Set Complete (Each)	12
2618	1 M Variable Brace Bar	13
6017 (W02252B + W2254B)	3" Bulkhead & Nut	14
1560	3" Bulkhead Gasket (Set Of 2)	15
6018 (W02253BLK / W02255BLK / W02255EBLK)	3"/90mm Adaptor Union (Plus Sleeve) 'O' Ring Type	16
6020 (1559)	3"/90mm Adaptor Gasket (Set Of 2) Pre 2007	17
6020A	3"/90mm Adaptor o ring (Set Of 2) Post 2007	17
W04058BLK	Drain plug complete 40mm black	18
W02026BLK (6001)	Drain Plug Complete	19
W02026ABLK	Drain Plug Cap	20



Lacron HZC - 42

Part Number	Product Description	Diagram No.																																										
W12303	Manhole Cover 4-Stub Oval Lido Blue Complete	1																																										
W12127	Nut Hex M16 S/S304	2																																										
W12126	Washer M16 S/S304	3																																										
6209430	Lid Yoke Lacron	4																																										
W12324	Hex Thin Nut S/S M16	5																																										
W12304	O-Ring M/H Cover 4-Stub Lacron L2611A	6																																										
W12772 (W14896)	Manhole Cover 4-Stub w Air Relief Valve	7																																										
W12301	ORing BS113	8																																										
W12125	Bolt Hex Full Thread M16 x 120 S/S304	9																																										
W12232	Heavy Duty Candle 206mm L1319 (4 required per filter)	10																																										
W12229	Heavy Duty Candle 268mm L1275 (2 required per filter)	11																																										
W12230	Heavy Duty Candle 300mm L1277 (36 required per filter)	12 </tr <tr> <td>W02289</td> <td>Air Relief Tube Screen</td> <td>13</td> </tr> <tr> <td>85251</td> <td>Gulfstream Plug</td> <td>14</td> </tr> <tr> <td>W02558</td> <td>Air Bleed Tube (1m length)</td> <td>15</td> </tr> <tr> <td>W22139</td> <td>Flange Stud Ring 4" ANSI</td> <td>16</td> </tr> <tr> <td>12161004</td> <td>PVC Stud Flange 4" ANSI (gf-PP Ring)</td> <td>17</td> </tr> <tr> <td>63453063</td> <td>Flange Gasket 4" ANSI</td> <td>18</td> </tr> <tr> <td>W12126</td> <td>Washer M16 Full S/S304</td> <td>19</td> </tr> <tr> <td>W12912</td> <td>Nut Hex 5/8" BSW SS304</td> <td>20</td> </tr> <tr> <td>W04058BLK</td> <td>Drain Plug Complete 40mm Black</td> <td>21</td> </tr> <tr> <td>W02270BLK</td> <td>Drain Plug End Cap 40mm Black</td> <td>22</td> </tr> <tr> <td>W02267</td> <td>Drain Plug 40mm O-Ring</td> <td>23</td> </tr> <tr> <td>W02269BLK</td> <td>Drain Plug Body 40mm Black</td> <td>24</td> </tr> <tr> <td>W02213</td> <td>O-Ring 40mm B/U EPDM</td> <td>25</td> </tr> <tr> <td>W22141</td> <td>Flange Clamp Ring 4" ANSI</td> <td>26</td> </tr>	W02289	Air Relief Tube Screen	13	85251	Gulfstream Plug	14	W02558	Air Bleed Tube (1m length)	15	W22139	Flange Stud Ring 4" ANSI	16	12161004	PVC Stud Flange 4" ANSI (gf-PP Ring)	17	63453063	Flange Gasket 4" ANSI	18	W12126	Washer M16 Full S/S304	19	W12912	Nut Hex 5/8" BSW SS304	20	W04058BLK	Drain Plug Complete 40mm Black	21	W02270BLK	Drain Plug End Cap 40mm Black	22	W02267	Drain Plug 40mm O-Ring	23	W02269BLK	Drain Plug Body 40mm Black	24	W02213	O-Ring 40mm B/U EPDM	25	W22141	Flange Clamp Ring 4" ANSI	26
W02289	Air Relief Tube Screen	13																																										
85251	Gulfstream Plug	14																																										
W02558	Air Bleed Tube (1m length)	15																																										
W22139	Flange Stud Ring 4" ANSI	16																																										
12161004	PVC Stud Flange 4" ANSI (gf-PP Ring)	17																																										
63453063	Flange Gasket 4" ANSI	18																																										
W12126	Washer M16 Full S/S304	19																																										
W12912	Nut Hex 5/8" BSW SS304	20																																										
W04058BLK	Drain Plug Complete 40mm Black	21																																										
W02270BLK	Drain Plug End Cap 40mm Black	22																																										
W02267	Drain Plug 40mm O-Ring	23																																										
W02269BLK	Drain Plug Body 40mm Black	24																																										
W02213	O-Ring 40mm B/U EPDM	25																																										
W22141	Flange Clamp Ring 4" ANSI	26																																										



WHEN ORDERING PLEASE QUOTE
THE ITEM AND PART NUMBER AS REQUIRED

Lacron LSC - 36 - 3

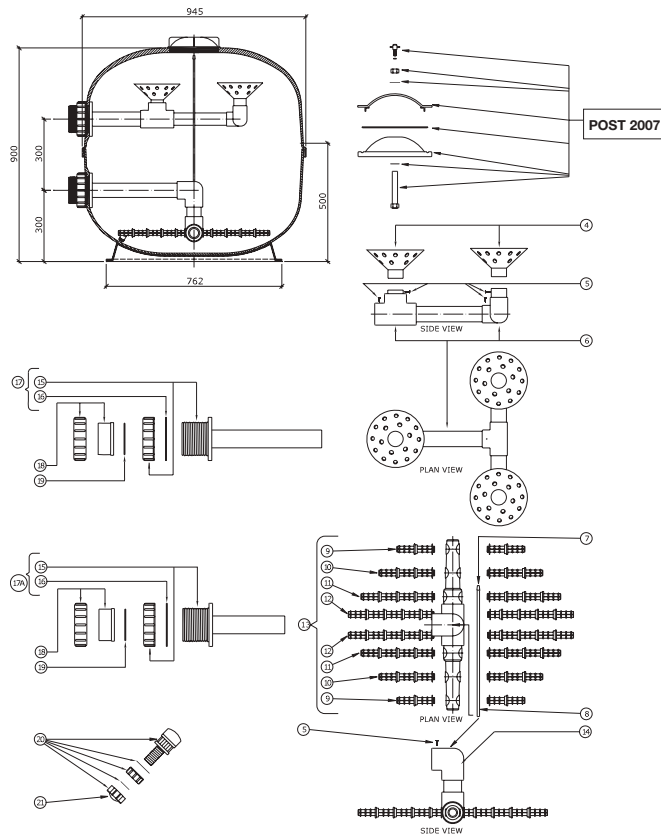
Part Number	Product Description	Diagram No.
1671	3/4" Self Tap Screw (Pack Of 10)	5
W02289	Air Relief Tube Screen	7
W04058BLK	40mm Drain Plug Complete	20
17104 (W2222)	36" Lacron Airbleed (840mm)	8
W12292	36" - 3" Header (Less Rose)	6
W02066	Rose Distributor (Funnel For SM)	4
W02249	O Ring For 3" / 90mm Half Union	19
634080EBLK	Half Union 90mm metric C/W O Ring	18+19
6017 (W02252B + W2254B)	Bulkhead 3" Bulkhead Fitting (Plus Nut)	15
W12295	Underdrain Complete Less Candles	14
6007 (W02985)	120mm Lateral (Candle) (X 4 required per filter)	9
6008 (W02984 + W02991)	180mm Lateral (Candle) (X 4 required per filter)	10
6009 (W02991 + W02985)	240mm Lateral (Candle) (X 4 required per filter)	11
6010 (W02991 + W02986)	280mm Lateral (Candle) (X 4 required per filter)	12
85251	Gulf Stream Plug	n/s
W04854	36" Base Stand	n/s
6018 (W02253BLK / W02255BLK / W02255EBLK)	half union 3" imperial c/w o ring	18+19
6020 (1559)	3"/90mm Adaptor Gasket (Set Of 2) Pre 2007	19
W02249	3"/90mm Adaptor 'O' Ring (Set Of 2) Post 2007	19
W02026BLK	Drain Plug Complete 15mm	20
W04058BLK	Drain plug complete 40mm	20

For filters supplied prior to Clamp Style Lid

6012 (1304A)	Lacron Lid Removal Tool (8" New Type)
6000 (6209292)	Lacron Lid (Polycarbonate 8" New Type)
6011 (621053)	Lacron Lid 'O' Ring

Post 2007 'Clamp Lid'

W12076	Nylon Air Relief Tap + 'O' Ring
W12248	Lid Retaining Clamp C/W Screw & Nut
W02933	Small Oval Lid O Ring
W12135	Small Oval Lid



Lacron LSC - 42

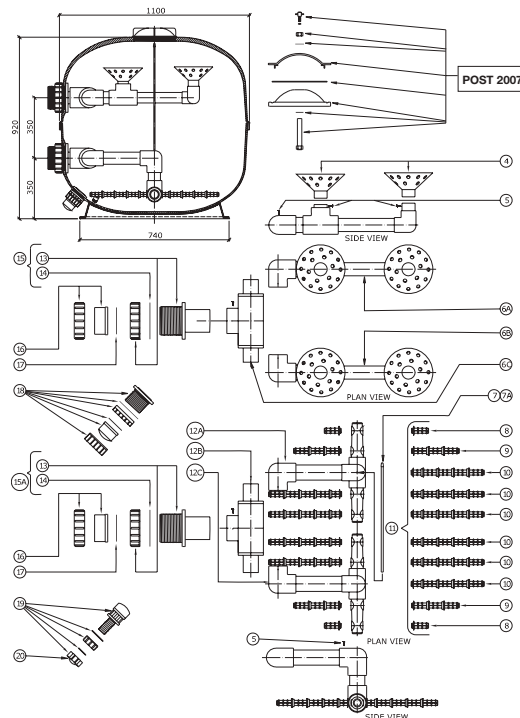
Part Number	Product Description	Diagram No.
85251	Gulf Stream Plug	n/s
W02066	Rose Distributor	4
1671	3/4" Self Tap Screw (Pack Of 10)	5
1372 (W22204)	42" Lhs Header (Less Rose)	6A
1372A (W22746)	42" Rhs Header (Less Rose)	6B
1372B (W12287)	42" Main Header 'T'	6C
W12045	Air Bleed Cap. Also order 1 x 85251 Rubber Grommit @ £0.85	7
17105	42" Lacron Airbleed	7A
6006 (W02984)	60mm Lateral (Candle) (X 4 required per filter)	8
6008 (W02984 + W02991)	180mm Lateral (Candle) (X 4 required per filter)	9
6010 (W02991 + W02986)	280mm Lateral (Candle) (X 12 required per filter)	10
1396	Lateral (Candle) Set	11
1371 (W12288)	42" Lhs Underdrain (Less Candles)	12A
1371B (W12289)	42" Main Underdrain 'T' & Con Pipe	12B
1371A (W12290)	42" Rhs Underdrain (Less Candles)	12C
6017 (W02252B + W2254B)	3" Bulkhead Fitting (Plus Nut)	13
6019 (1560)	3" Bulkhead Gasket (Set Of 2)	14
1525A	42" - 3" Bulkhead Fitting (Top)	15
1525B	42" - 3" Bulkhead Fitting (Bottom)	15A </td
6018 (W02253BLK / W02255BLK / W02255EBLK)	3"/90mm Adaptor Union (Plus Sleeve) 'O' Ring Type	16
6020 (1559)	3"/90mm Adaptor Gasket (Set Of 2) Pre 2007	17
6020A (W02249)	3"/90mm Adaptor 'O' Ring (Set Of 2) Post 2007	17
W04058BLK	Sand Drain Complete 40mm	18
W02026BLK (6001)	Drain Plug Complete	19
W02270BLK	Drain Plug Cap 40mm	20
W04846	42" Base Stand	n/a

For filters supplied prior to Clamp Style Lid

6012 (1304A)	Lacron Lid Removal Tool (8" New Type)
6000 (6209292)	Lacron Lid (Polycarbonate 8" New Type)
6011 (621053)	Lacron Lid 'O' Ring

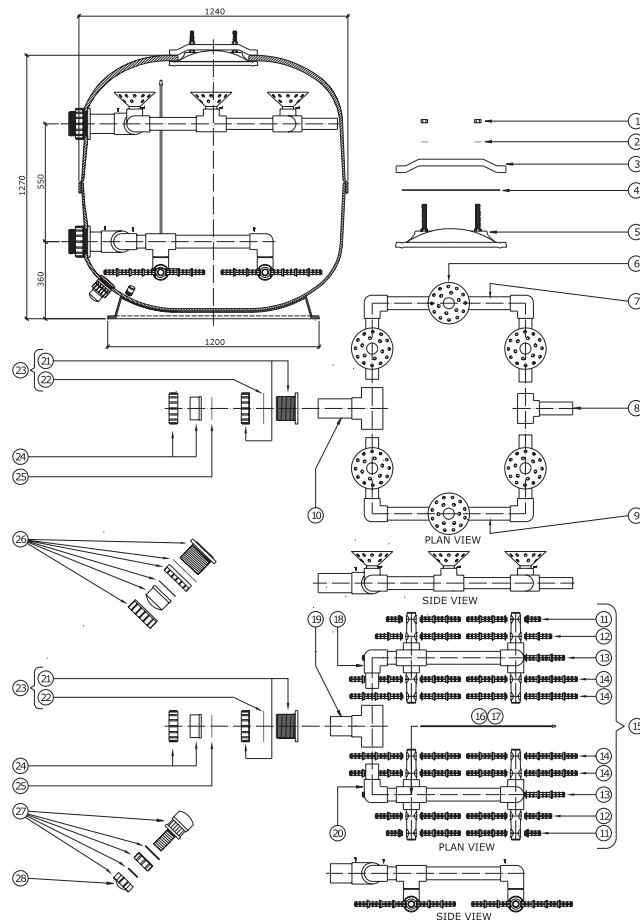
Post 2007 'Clamp Lid'

W12076	Nylon Air Relief Tap + 'O' Ring
W12248	Lid Retaining Clamp C/W Screw & Nut
W02933	Small Oval Lid O Ring
W12135	Small Oval Lid



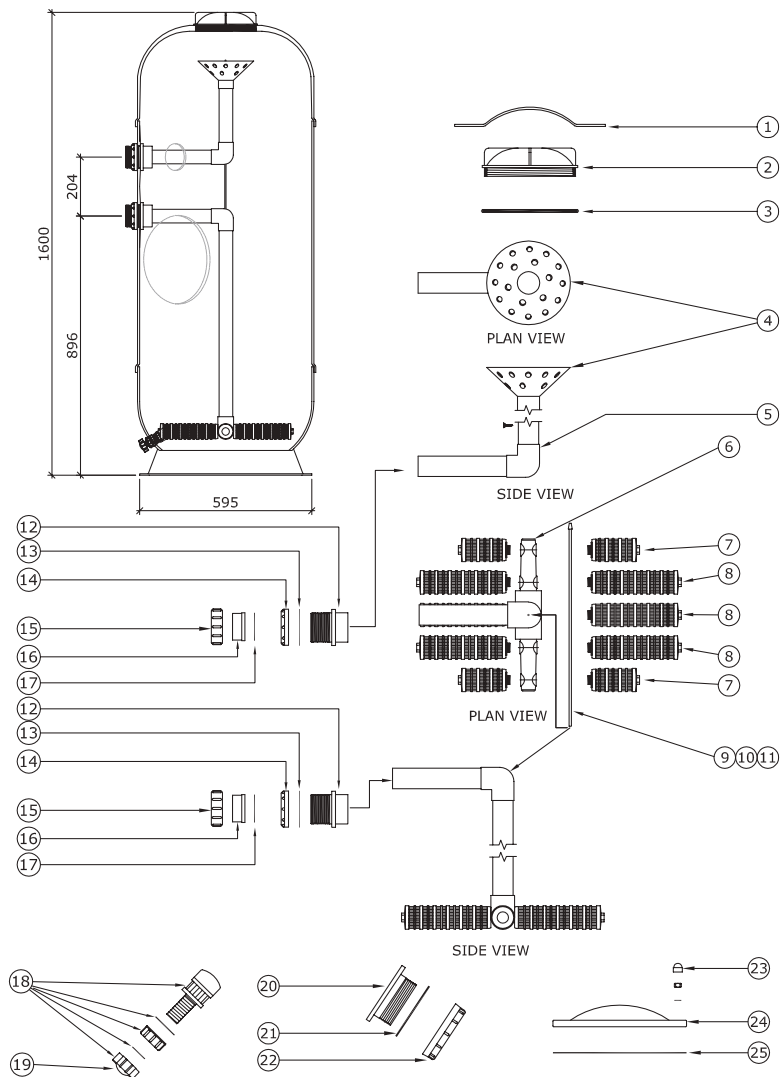
Lacron LSC - 48

Part Number	Product Description	Diagram No.
W12076	Nylon Air Relief Tap + 'O' Ring	1
W12248	Small Oval Lid Retaining Clamp C/W Screw & Nut	3
1993 (W12284)	Small Oval Lid 'O' Ring	4
W12135	Small Oval Lid	5
W02066	Rose Distributor	6
W12344	48" LHS Header (Less Rose)	7
W12346	48" Main Header Pipe Support 'T'	8
W12345	48" RHS Header (Less Rose)	9
W12347	48" Main Header Pipe Inlet 'T'	10
6006 (W02984)	60mm Lateral (Candle) (X 4 required per filter)	11
6007 (W02985)	120mm Lateral (Candle) (X 4 required per filter)	12
6008 (W02984 + W02991)	180mm Lateral (Candle) (X 24 required per filter)	13
6009 (W02991 + W02985)	240mm Lateral (Candle) 9 X 8 required per filter)	14
1396A	48" Lacron Lateral (Candle) Set	15
W12045	Air Bleed Cap. Also order 1 x 85251 Rubber Grommit @ £0.85	16
17106	48" Lacron Airbleed (Set Of 2)	17
W12348	48" LHS Underdrain (Less Candles)	18
W12350	48" Main Underdrain 'T' & Con Pipe	19
W12349	48" RHS Underdrain (Less Candles)	20
6017 (W02252B + W02254B)	3" Bulkhead Fitting (Plus Nut)	21
6019 (W02250)	3" Bulkhead Gasket (Set Of 2)	22
1524C	48" - 3" Bulkhead Fitting Inc Pipe	23
6018 (W02253BLK / W02255BLK / W02255EBLK)	3"/90mm Adaptor Union (Plus Sleeve) 'O' Ring Type	18
6020 (1559)	3"/90mm Adaptor Gasket (Set Of 2) Pre 2007	19
6020A	3"/90mm Adaptor 'O' Ring (Set Of 2) Post 2007	19
W04058BLK	Sand Drain Complete 40mm	26
W02026BLK (6001)	Drain Plug Complete 15mm	27
W02270BLK	Drain Plug Cap 40mm	28
1671	3/4" Self Tap Screw (Pack Of 10)	29



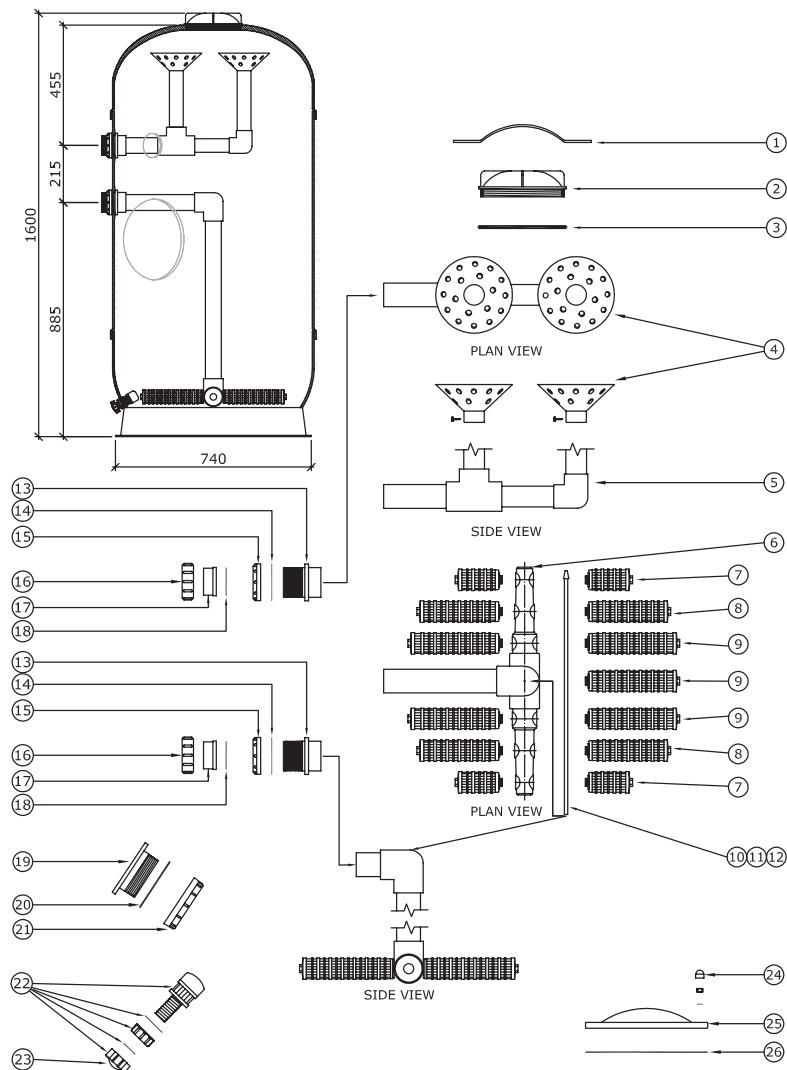
Lacron MBF - 24

Part Number	Product Description	Diagram No.
W22235	Lid Tool	1
6000	8" Clear Lid	2
6011	O-Ring for 8" Clear Lid	3
W02066	Rose Distributor	4
121340	Elbow 1/2" x 90 Deg	5
W12088	LCT Extension 1/2" x 2 Holes	6
1318 (W12231)	113mm Heavy Duty Lateral	7
1319 (W12232)	206mm Heavy Duty Lateral	8
W02550 (17131)	Air Bleed Tube 740mm	9
W02289	Air Relief Tube Screen	10
85251	Gulf Stream Plug	11
W02272BLK	Bulkhead Threaded Body 50mm Black	12
W02268	Gasket 50mm Bulkhead	13
W02271BLK	Bulkhead Locknut 50mm Black	14
W02209BLK	B/U Locking Nut 50mm	15
W02210BLK	B/UP / End 50mm Black	16
W02213	O-Ring 50mm B/U EPDM	17
W02026BLK	Drain Plug Complete 15mm	18
W02522C	Drain Plug Wing Nut 15mm	19
W22314	Sight Glass 50mm Moulded	20
W02080	Gasket 100 x 81 x 3mm Rubber	21
W02567	Bulkhead Locking Ring 50mm BLK	22
W12236	Cap Black M8 Nut Lacron L1766	23
W12050SB	Lid 10-Hole black - without centre hole	24
W12216	O-Ring G210 (5.7 x 209.3mm)	25



Lacron MBF - 30

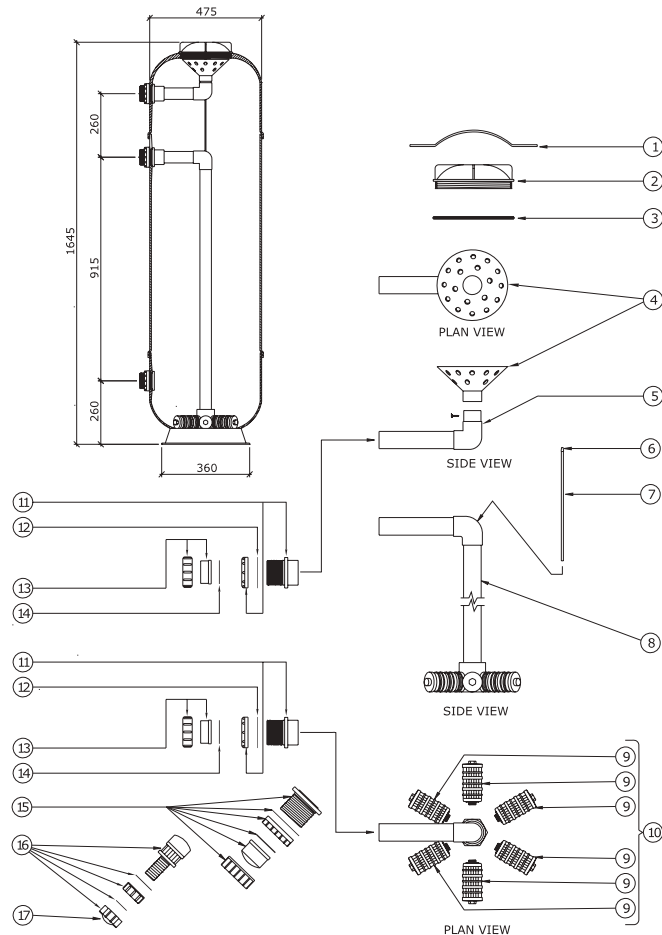
Part Number	Product Description	Diagram No.
W22235	Lid Tool	1
6000	8" Clear Lid	2
6011	O-Ring for 8" Clear Lid	3
W02066	Rose Distributor	4
121340	Elbow 1 1/2" x 90 Deg	5
W12089	LCT Extension 2" x 3 Holes	6
1318 (W12231)	113mm Heavy Duty Lateral (4 required per filter)	7
1319 (W12232)	206mm Heavy Duty Lateral (4 required per filter)	8
1320 (W12233)	237mm Heavy Duty Lateral (8 required per filter)	9
W02550	Air Bleed Tube 740mm	10
W02289	Air Relief Tube Screen	11
85251	Gulf Stream Plug	12
W12067	Bulkhead Body 2" Lacron 1268A	13
W12252	Gasket Bulkhead 2" Lacron L1521	14
W12066	Bulkhead Locking Nut 2" Lacron 1268A	15
W02982	B/U Locking Nut 2" Lacron 1270A	16
W02983	B/U Plain End S/S 2" Lacron 1270B	17
W12253	B/U Gasket 2" Lacron L1523	18
W22314	Sight Glass 50mm Moulded	19
W02080	Gasket 100 x 81 x 3mm Rubber	20
W02567	Bulkhead Locking Ring 50mm Blk	21
W02026BLK	Drain Plug Complete 15mm	22
W02522C	Drain Plug Wing Nut 15mm	23
W12236	Cap Black M8 Nut Lacron L1766	24
W12050SB	Lid 10-Hole black	25
W12216	O-Ring G210 (5.7 x 209.3mm)	26



Lacron DBF - 18

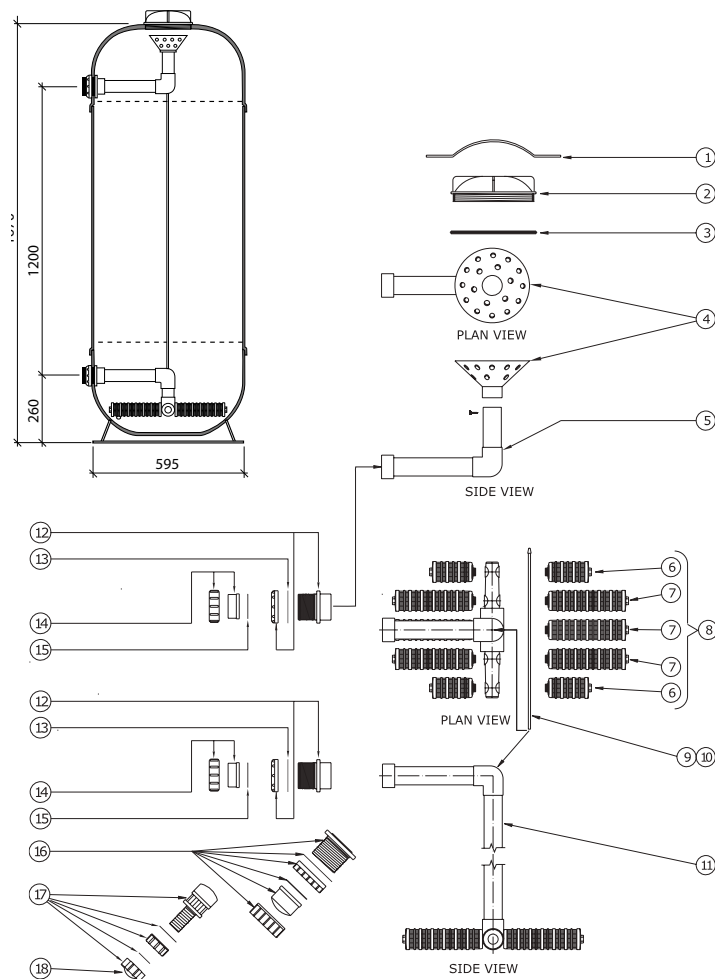
Part Number	Product Description	Diagram No.
6012 (1304A)	Lacron Lid removal tool (new type - 8")	1
6000	Lacron Lid (new type 8")	2
6011	Lacron Lid 'O' ring	3
W02066	Rose distributor	4
17160	18" x 1 1/2" Header (less rose)	5
W12045	Air bleed cap (old style)	6
17130	18" DBF airbleed tube	7
1365 (W22217)	18" Underdrain (less candles)	8
1318 (W12231)	113mm Heavy duty Lateral (candle) (X 6 required per filter)	9
1393B	18" DBF Lateral (candle) set	10
6013 (W02989 + W02271BLK)	1 1/2" Bulkhead fitting including nut	11
6015 (1520)	1 1/2" Bulkhead gasket (set of two)	12
6021 (W02981 + W02980)	1 1/2" Union adaptor & nut (set of 2)	13
6004 (1522)	1 1/2" Union adaptor gasket (set of 2)	14
W04058BLK	1 1/2" Sand drain complete	15
W02026BLK (6001)	Drain plug complete	16
W02522C	Drain plug cap only	17
1671	3/4" S/S self tapping screw (set of 10)	18
W12050SB	Side Hatch Cover	
W12216	Side Hatch Cover 'O' Ring	
POST 2004		
6023 (W02209BLK+W02210BLK)	1.5 Union Adaptor Nut and Sleeve (Set of 2)	
6026 (W02213)	1.5" Union adaptor 'O' Ring (set of 2)	
CLAMP LID		
W12076	NYLON AIR RELIEF TAP + 'O' RING	
W12248	LID RETAINING CLAMP c/w SCREW & NUT	
W02933	SMALL OVAL LID O RING	
W12135	SMALL OVAL LID	

PLEASE NOTE: 1 1/2" Lacron filters manufactured pre 2006 will have union adaptors (Barrel Unions with **flat gaskets**)
 1 1/2" Lacron filters manufactured post 2006 will have union adaptors (Barrel Unions) with 'O' rings



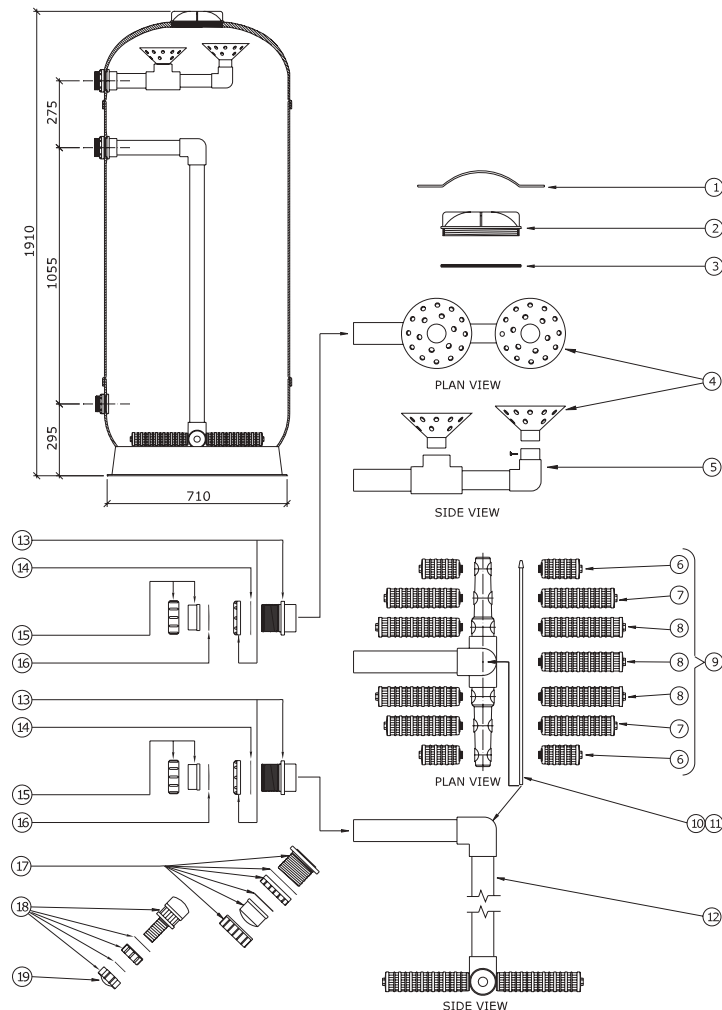
Lacron DBF - 24

Part Number	Product Description	Diagram No.
6012 (1304A)	Lacron Lid removal tool (new type - 8")	1
6000	Lacron Lid (new type 8")	2
6011	Lacron Lid 'O' ring	3
W02066	Rose distributor	4
1368A	24" - 2" Header (less rose)	5
W12231	113mm Heavy duty Lateral (candle) (X 4 required per filter)	6
W12232	206mm Heavy duty lateral (candle) (X 6 required per filter)	7
1394B	24" DBF - Lateral (candle) set	8
W12045	Air bleed cap (old type)	9
W02550 (17131)	Airbleed tube	10
1382	1.5" Underdrain (less candles)	11
6014 (W12065)	2" Bulkhead fitting including nut	12
6016	2" Bulkhead gasket (set of two)	13
6022 (W02983 + W02982)	2" Union adaptor inc sleeve (set of 2)	14
6005	2" Union adaptor gasket (set of 2)	15
W04058BLK	1.5" Sand drain complete	16
W02026BLK (6001)	Drain plug complete	17
W02522C	Drain plug cap only	18
1671	3/4" S/S self tapping screw (set of 10)	
W12050SB	10 Hole side hatch cover	
W12216	10 Hole Cover 'O' Ring	
CLAMP LID		
W12076	NYLON AIR RELIEF TAP + 'O' RING	
W12248	LID RETAINING CLAMP c/w SCREW & NUT	
W02933	SMALL OVAL LID O RING	
W12135	SMALL OVAL LID	



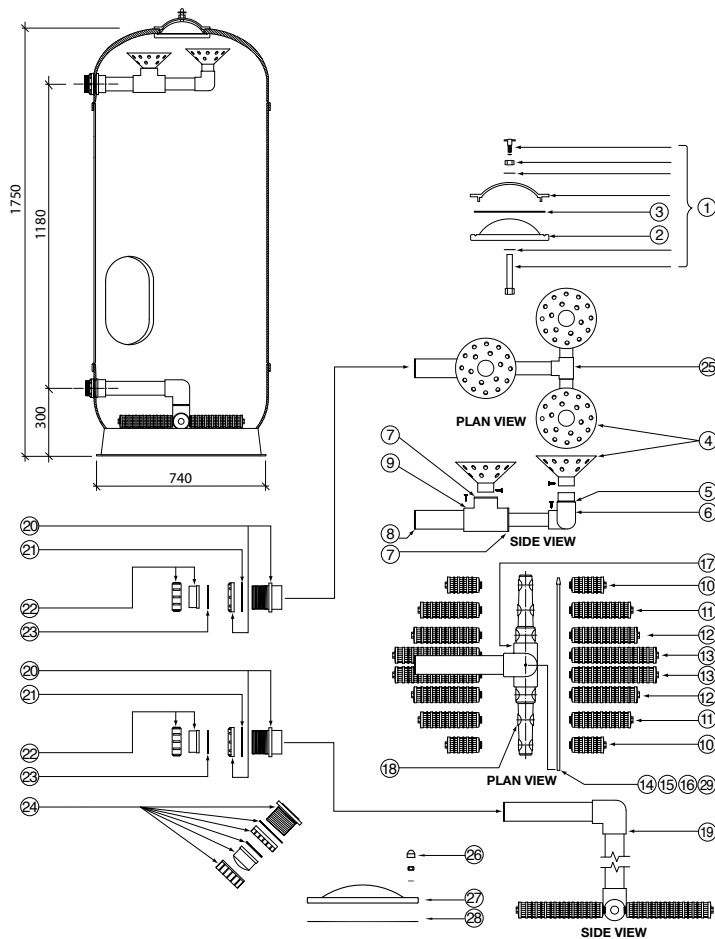
Lacron DBF - 30"

Part Number	Product Description	Diagram No.
6012 (1304A)	Lacron Lid removal tool (new type - 8")	1
6000	Lacron Lid (new type 8")	2
6011	Lacron Lid 'O' ring	3
W02066	Rose distributor (each)	4
1370 (W22072)	30" - 2" Header (less rose)	5
1318 (W12231)	113mm Heavy duty Lateral (candle) (X 4 required per filter)	6
1319 (W12232)	206mm Heavy duty lateral (candle) (X 4 required per filter)	7
1320 (W12233)	238mm Heavy duty lateral (candle) (X 6 required per filter)	8
1395B	30 x 2" DBF - Lateral (candle) set	9
W12045	Air bleed cap (old type)	10
17131	30" DBF airbleed tube	11
1383	2" Underdrain (less candles)	12
6014 (W12065 + 1472)	2" Bulkhead fitting including nut	13
6016 (1521)	2" Bulkhead gasket (set of two)	14
6022 (W02983 + W02982)	2" Union adaptor inc sleeve (set of 2)	15
6005 (1523)	2" Union adapter gasket (set of 2)	16
W04058BLK	1/2" Sand drain complete	17
W02026BLK (6001)	Drain plug complete	18
W02522C	Drain plug cap only	19
1671	3/4" S/S self tapping screw (set of 10)	n/s
W12050SB	Side Hatch Cover	
W12216	Side Hatch Cover 'O' Ring	
CLAMP LID		
W12076	NYLON AIR RELIEF TAP + 'O' RING	
W12248	LID RETAINING CLAMP c/w with screw and nut	
W02933	SMALL OVAL LID 'O' RING	
W12135	SMALL OVAL LID	



Lacron DBF - 36

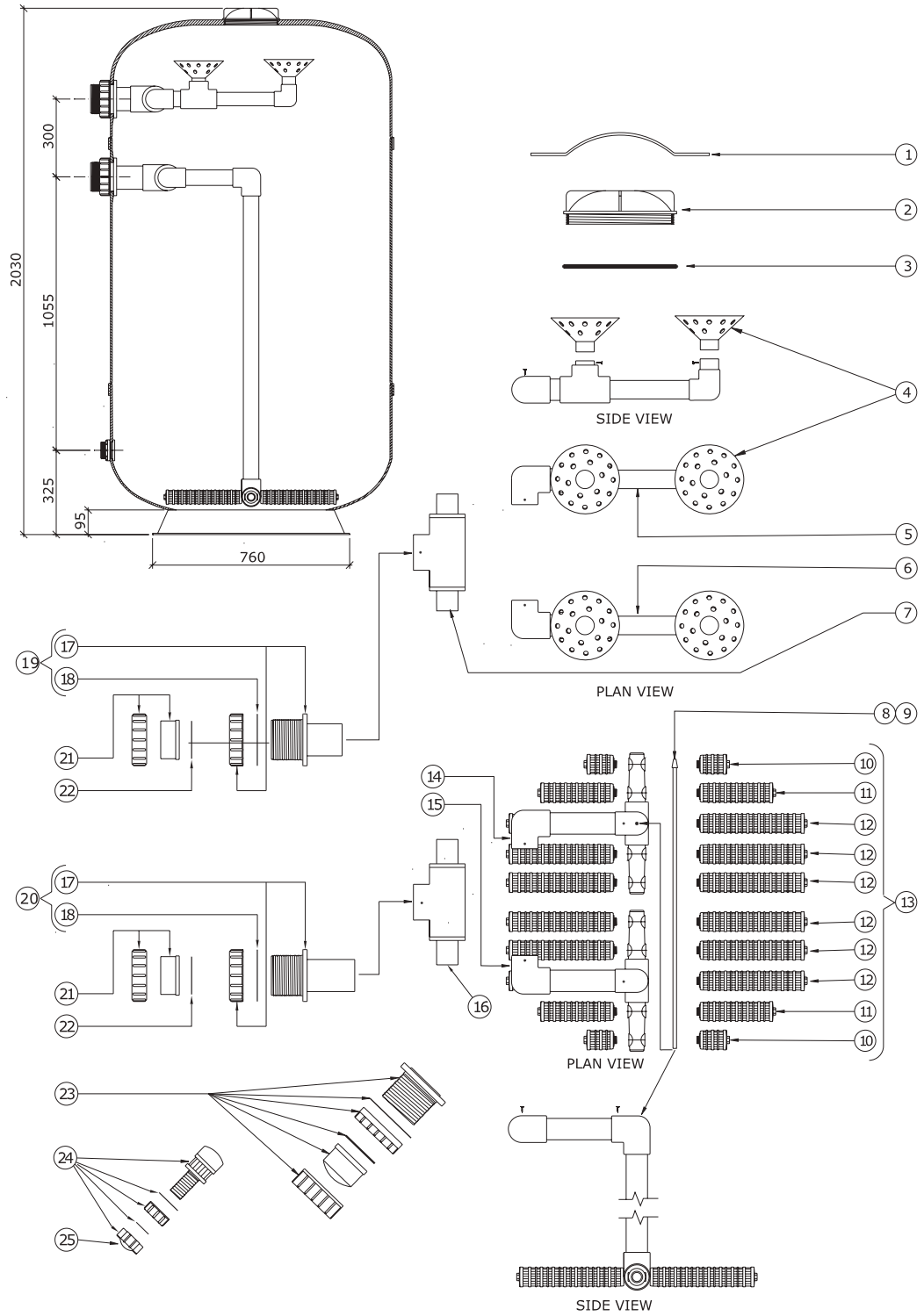
Part Number	Product Description	Diagram No.
W12248	9" x 6" Clamp Assembly (inc. nuts, washers, clamp & airtap)	1
W12135	9" x 6" Lid Oval	2
W02933	O-ring G225	3
W02066	Rose distributor	4
12555BLK	Reducing bush 2" x 1 1/2"	5
121350	Elbow 50mm	6
12566	Reducing Bush 65 x 50	n/s
12588	Reducing bush 3" x 2 1/2"	n/s
121962	Tee 65mm	9
1318 (W12231)	113mm Heavy Duty Lateral (candle) (X 4 required per filter)	10
1319 (W12232)	206mm Heavy Duty Lateral (candle) (X 6 required per filter)	11
1320 (W12233)	238mm Heavy Duty Lateral (candle) (X 6 required per filter)	12
1275 (W12229)	268mm Heavy Duty Lateral (candle) (X 4 required per filter)	13
1395C	36" DBF - Lateral (candle) set	
W02289	Air relief tube screen	14
85251	Gulf stream plug	15
W02558	Air bleed tube	16
W12297	Tapped Tee 2 1/2"	17
W12089	LCT extension 3 hole	18
121365	Elbow 65mm	19
W12955	Bulkhead Body + Lock Nut 3" Blk	20
W02250	Gasket Bulkhead Body 3"	21
W12954	B/U Lock But + Plain End 3" Black	22
W02249	O-ring 3" B/U	23
W04058BLK	Drain Plug Complete 40mm Complete	24
121950	Tee 50mm	25
W12956	Black Cap Nut M12	26
W12311	Large Oval Hatch 18-Hole	27
W12300	Gasket Oval 18-Hole	28
W22173	Gland PG7 (3 - 6.5)	28



Lacron DBF - 42

Part Number	Product Description	Diagram No.
6012	Lacron Lid removal tool (new type - 8")	1
6000	Lacron Lid (new type 8")	2
6011	Lacron Lid 'O' ring	3
W02066	Rose distributor (each)	4
1372	42" LHS - Header (less rose)	5
1372A	42" RHS - Header (less rose)	6
1372B	42" Main header 'T' (inc connect pipe)	7
W12045	Air bleed cap (old style)	8
17133	Air bleed tube	9
W12228	82mm Heavy duty Lateral (candle) (X 4)	10
1320 (W12233)	238mm Heavy duty lateral (candle) (X 4)	11
1277 (W12230)	300mm Heavy duty lateral (candle) (X 12)	12
1396B	42" DBF - Lateral (candle) set	13
1371	42" LHS Underdrain (less candles)	14
1371A	42" RHS Underdrain (less candles)	15
1371B	42" Main underdrain 'T' (incl connecting pipe)	16
6017 (W02252B + W2254B)	3" Bulkhead fitting including nut	17
6019 (W02250)	3" Bulkhead gasket (set of two)	18
1525A	42" Bulkhead fitting (top)	19
1525B	42" Bulkhead fitting (bottom)	20
6018 (W02253BLK /W02255BLK /W02255EBLK)	3" Union adaptor inc sleeve (each) 'O' Ring type	21
6020 (1559)	3" Union adaptor gasket (set of 2) Pre 2007	22
W02249 (6020A)	3"/90mm ADAPTOR 'O' RING (Set of 2) POST 2007	
W04058BLK	1/2" Sand drain complete	23
W02026BLK	Drain plug complete	24
W02026ABLK	Drain plug cap only	25
1671	3/4" S/S self tapping screw (set of 10)	
W12311	Oval hatch 18 hole	
W12300	Oval Gasket 18 hole	
POST 2007 'CLAMP LID'		
W12076	NYLON AIR RELIEF TAP + 'O' RING	
W12248	LID RETAINING CLAMP c/w SCREW & NUT	
W02933	SMALL OVAL LID O RING	
W12135	SMALL OVAL LID	

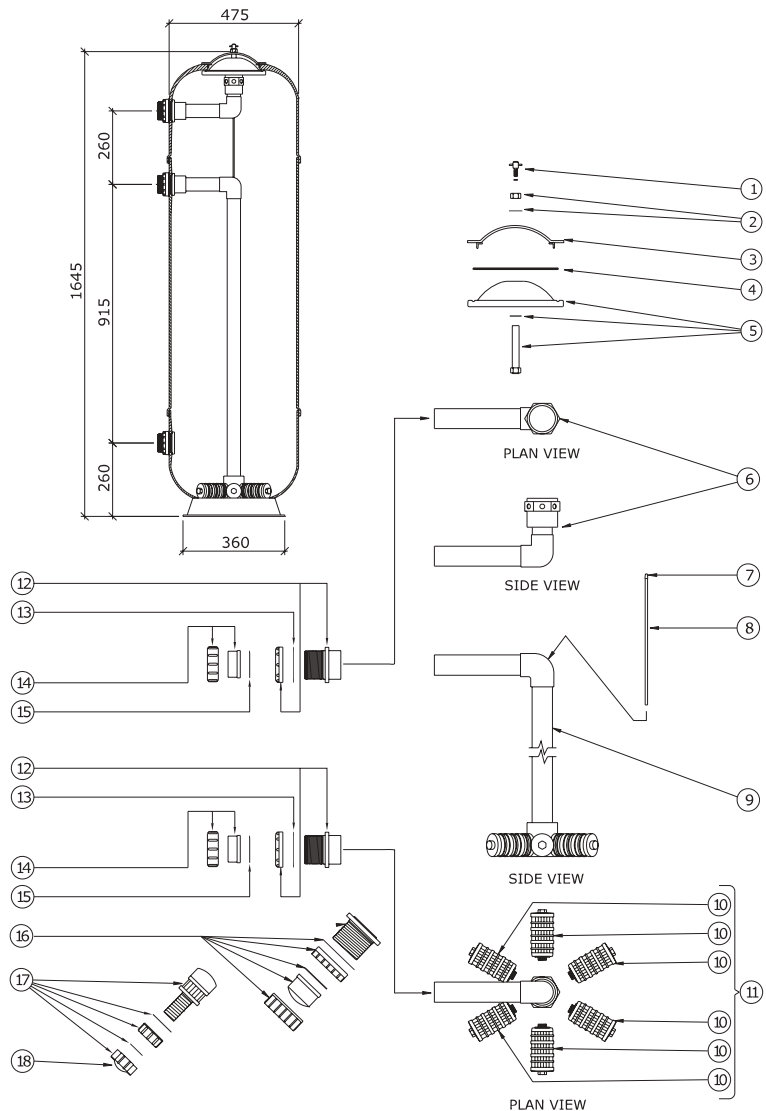
Lacron DBF - 42



Lacron HPF - 18

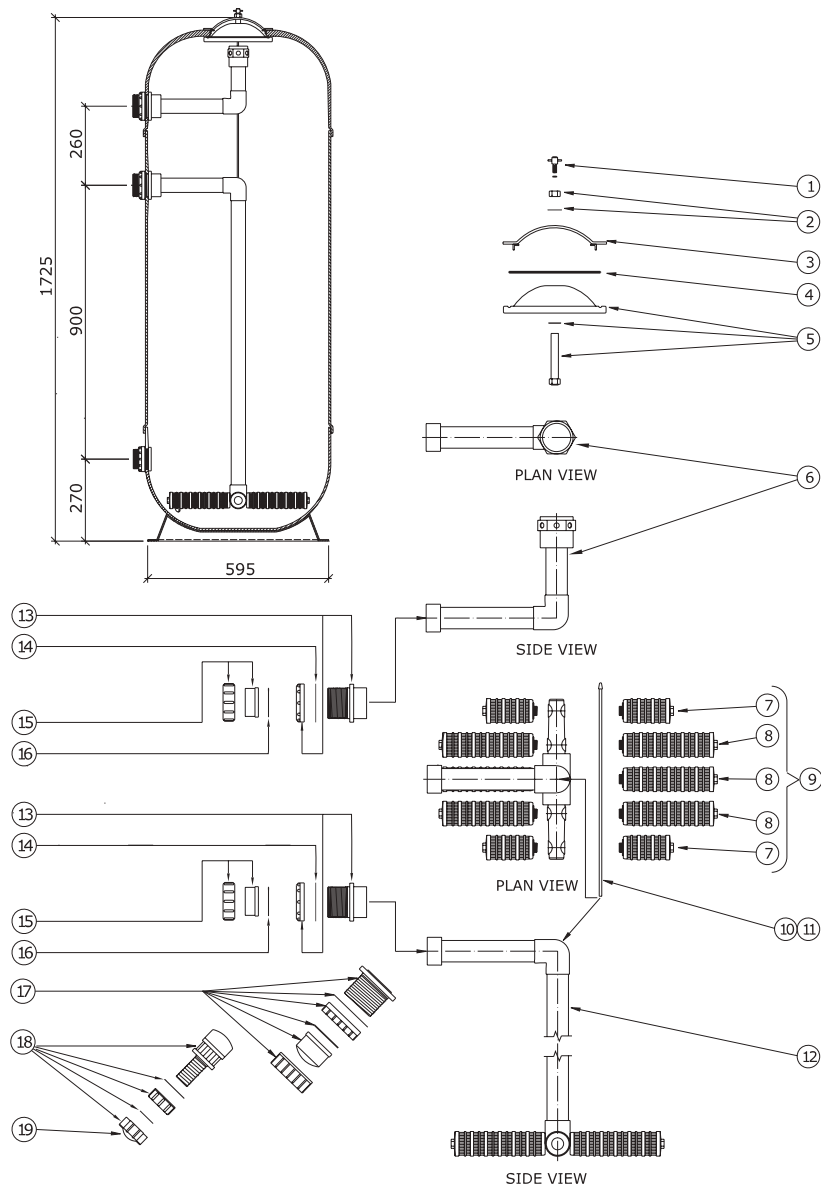
Part Number	Product Description	Diagram No.
W12076	Nylon Air Relief Tap + 'O' Ring	1
W12248	Small Oval Lid Retaining Clamp C/W Screw & Nut	3+2
W02933	Small Oval Lid 'O' Ring	4
W12135	Small Oval Lid	5
W12087	HEXAGONAL HUB	
17160	18" - 1.5" Hp Header (Less Rose)	6
W12045	Air Bleed Cap	7
17130	18" Dbf Standard/Hp Airbleed Tube	8
1365A	18" - 1.5" Underdrain Less Candles	9
1318 (W12231)	113mm Heavy Duty Lateral (X 6)	10
1393B	18" Dbf - Lateral (Candle) Set	11
6013 (W02989 + W02271BLK)	1.5" Bulkhead Fitting	12
6015 (1520)	1.5" Bulkhead Gasket (Set Of 2)	13
6021 (W02981 + W02980)	1.5" Union Adaptor (Set Of 2)	14
6004 (1522)	1.5" Union Adaptor Gasket (Set Of 2)	15
W04058BLK	1.5" Sand Drain Complete	16
6001 (W02026BLK)	Drain Plug Complete	17
W02026ABLK	Drain Plug Cap	18
1671	3/4" Self Tap Screw (Pack Of 10)	19
Post 2006		
6023 (W02209BLK + W02210BLK)	1.5" Union Adaptor Nut And Sleeve (Set Of 2)	
6026 (W02213)	1.5" Union Adaptor 'O' Ring (Set Of 2)	

PLEASE NOTE: 1 1/2" Lacron filters manufactured pre 2006 will have union adaptors (Barrel Unions) with **flat gaskets**
 1 1/2" Lacron filters manufactured post 2006 will have union adaptors (Barrel Unions) with 'O' rings



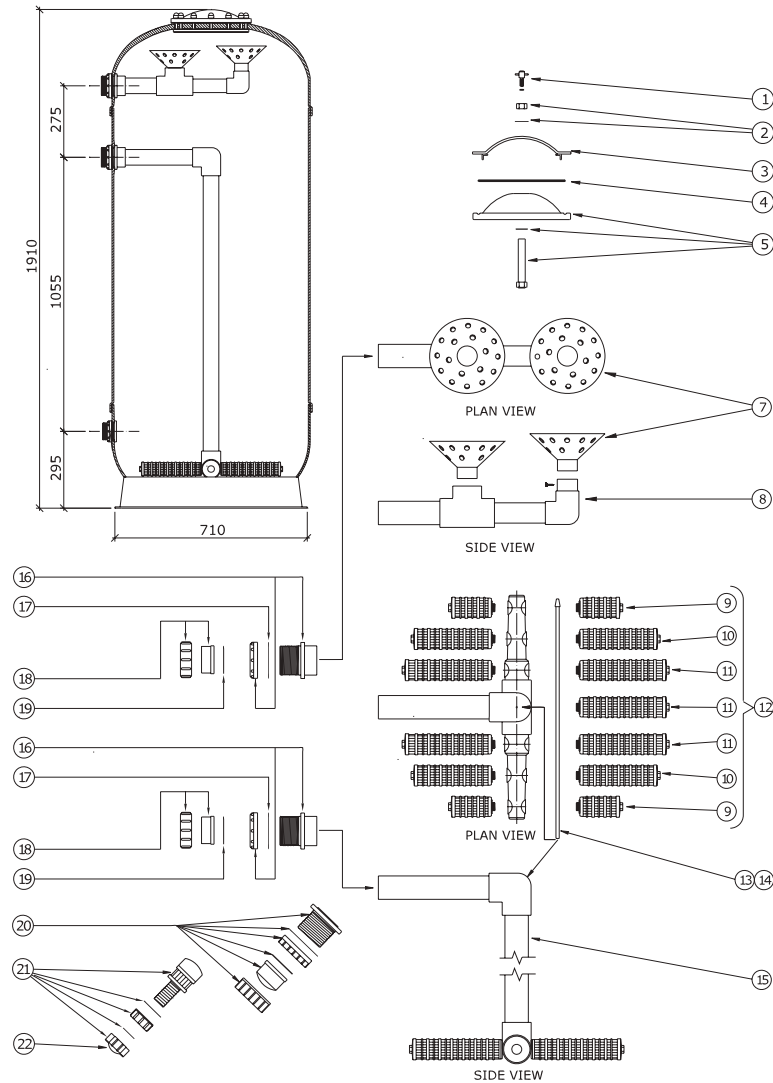
Lacron HPF - 24

Part Number	Product Description	Diagram No.
W12076	Nylon Air Relief Tap + 'O' Ring	1
W12248	Small Oval Lid Retaining Clamp C/W Screw & Nut	2+3
W12284	Small Oval Lid 'O' Ring	4
W12135	Small Oval Lid	5
W12087	HEXAGONAL HUB	
1366 (W32363)	24" Header Assembly Complete Less Rose	6
1318 (W12231)	113mm Heavy Duty Lateral (X 4 required per filter)	7
1319 (W12232)	206mm Heavy Duty Lateral (X 6 required per filter)	8
1394B	24" Dbf - Lateral (Candle) Set	9
W12045	Air Bleed Cap	10
17131	Airbleed Tube	11
1382	1.5" Underdrain Less Candles	12
6014A (W12065 + 1472)	2" Bulkhead Fitting (Plus Nut)	13
6016 (1521)	2" Bulkhead Gasket (Set Of 2)	14
6022 (W02983 + W02982)	2" Union Adaptor (Plus Sleeve) (Set Of 2)	15
6005 (1523)	2" Union Adaptor Gasket (Set Of 2)	16
W04058BLK	1.5" Sand Drain Complete	17
W02521BLK (6001)	Drain Plug Complete	18
W02522C	Drain Plug Cap	19
1671	3/4" Self Tap Screw (Pack Of 10)	20



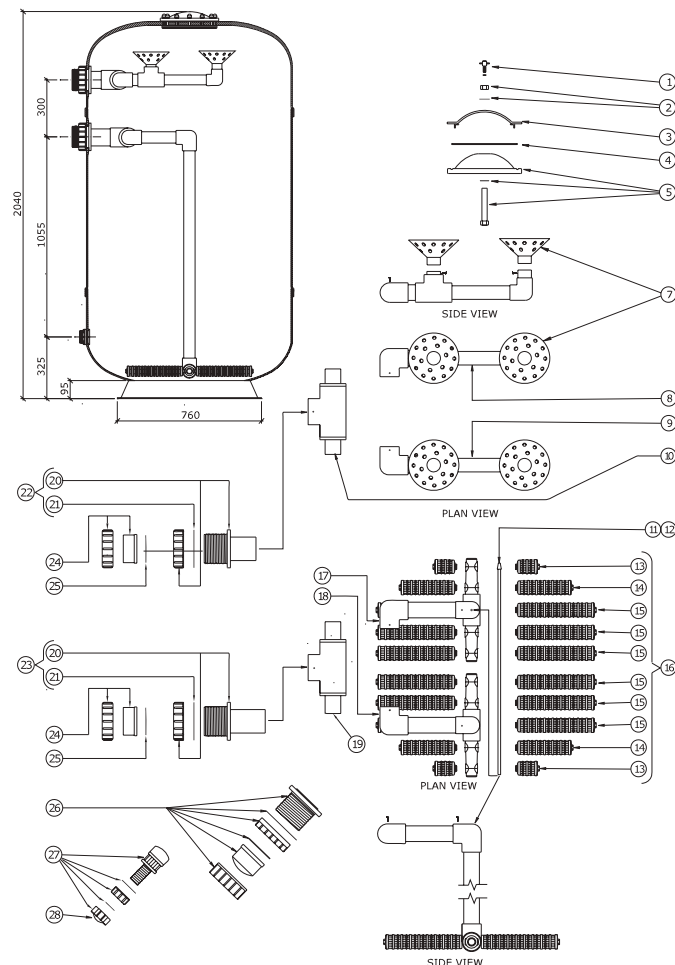
Lacron HPF - 30

Part Number	Product Description	Diagram No.
W12076	Nylon Air Relief Tap + 'O' Ring	1
W12248	Small Oval Lid Retaining Clamp C/W Screw & Nut	3+2
W12284	Small Oval Lid 'O' Ring	4
W12135	Small Oval Lid	5
W02066	Rose Distributor	7
1370 (W22070)	30" - 2" Header (Less Rose)	8
1318 (W12231)	113mm Heavy Duty Lateral (X 4 required per filter)	9
1319 (W12232)	206mm Heavy Duty Lateral (X 4 required per filter)	10
1320 (W12233)	238mm Heavy Duty Lateral (X 6 required per filter)	11
1395B	30" DBF - Lateral (Candle) Set	12
W12045	Air Bleed Cap	13
17132	30" DBF Standard / HP Airbleed Tube	14
1383	30" - 2" Underdrain Less Candles	15
6014	2" Bulkhead Fitting (Plus Nut)	16
6016 (1521)	2" Bulkhead Gasket (Set Of 2)	17
6022 (W02983 + W02982)	2" Union Adaptor (Plus Sleeve) (Set Of 2)	18
6005 (1523)	2" Union Adaptor Gasket (Set Of 2)	19
W04058BLK	1.5" Sand Drain Complete	20
6001 (W02026BLK)	Drain Plug Complete	21
W02522C	Drain Plug Cap	22
1671	3/4" Self Tap Screw (Pack Of 10)	23



Lacron HPF - 42

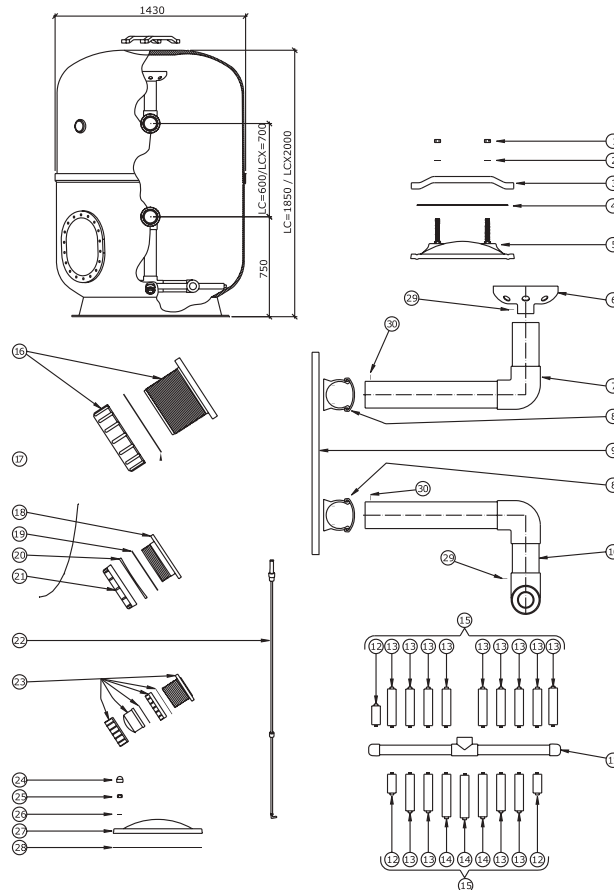
Part Number	Product Description	Diagram No.
W12076	Nylon Air Relief Tap + 'O' Ring	1
W12248	Small Oval Lid Retaining Clamp C/W Screw & Nut	3+2
W12284	Small Oval Lid 'O' Ring	4
W12135	Small Oval Lid	5
W02066	Rose Distributor	7
1372 (W22204)	42" LHS Header (Less Rose)	8
1372A	42" RHS Header (Less Rose)	9
1372B	42" Main Header 'T'	10
W12045	Air Bleed Cap	11
17133	Airbleed Tube	12
W12228	82mm Heavy Duty Lateral (X 4 required per filter)	13
1320 (W12233)	238mm Heavy Duty Lateral (X 4 required per filter)	14
1277 (W12230)	300mm Heavy Duty Lateral (X 12 required per filter)	15
1396B	Lateral (Candle) Set	16
1371	42" LHS Underdrain (Less Candles)	17
1371A	42" RHS Underdrain (Less Candles)	18
1371B	42" Main Underdrain 'T' & Con Pipe	19
6017 (W02252B + W2254B)	3" Bulkhead Fitting (Plus Nut)	20
6019 (1560)	3" Bulkhead Gasket (Set Of 2)	21
1525A	42" - 3" Bulkhead Fitting (Top)	22
1525B	42" - 3" Bulkhead Fitting (Bottom)	23
6018 (W02253BLK / W02255BLK / W02255EBLK)	3" Adaptor Union (Plus Sleeve) 'O' Ring Type	24
6020 (1559)	3" Adaptor Gasket (Set Of 2) Pre 2007	25
6020A	3"/90Mm Adaptor 'O' Ring (Set Of 2) Post 2007	25
W04058BLK	Sand Drain Complete 40mm	26
W02521BLK (6001)	Drain Plug Complete 15mm	27
W02522C	Drain Plug Cap 15mm	28
1671	3/4" Self Tap Screw (Pack Of 10)	29



Lacron LCX/LCP - 1200

Part Number	Product Description	Diagram No.
6209430	Lacron Lid Yoke	3
2611	Lacron Oval Lid 'O' Ring	4
W12308	Manhole Lid 4 Stud Complete With Yoke, Nuts, Bolts 'O' Ring	1 to 5
17501A	3" Rose Distributor	6
1373E	Lcx-Lcp 1200 Header Assy Complete	7
2618	1 M Variable Brace Bar	8
2613	3" Pipe Clamp Set Complete	9
1373C	Lcx 1200 Underdrain Assy Complete	10
1373A	Drilled & Tapped Collector Set	11
1318	Heavy Duty Laterals 113mm (Lcx) (X 6)	12
1319	Heavy Duty Laterals 206mm (Lcx) (X 26)	13
1320	Heavy Duty Laterals 238mm (Lcx) (X 6)	14
1373D	Heavy Duty Lateral Set Complete	15
1524	3" Bulkhead & Nut	16
1560	3" S.n.n Gasket (Set Of 2)	17
1290	Threaded Clear Acrylic Disc	18
1789	2" S.n.n Gasket (3Mm Thk)	19
1434	2" Countoured Spacing Disc	20
W12065	2" S.n.n Black	21
17500B	LCX 1200 Airbleed Assy Complete	22
W04058BLK	1.5" Sand Drain Complete	23
1767	M12 Black Nut Cap (Pack Of 10)	24
1685	M12 S/S Nut	25
1684	M12 S/S Washer (Pack Of 5)	26
42809A	Large Oval Hatch (18 Hole)	27
1713	Oval Hatch Gasket (18 Hole)	28
1753	M6 X 25mm Set Screw (Pack Of 10)	29
1753A	M6 X 20mm Set Screw (Pack Of 10)	30
1547 (W12633)	Filter Nozzle & Socket (LCP) (64 required)	n/a

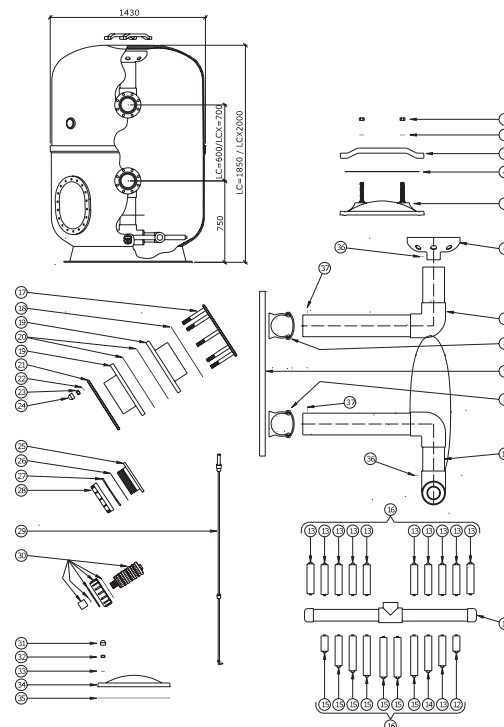
Note: For LCX/LCP made post year 2007, refer to SMDD/SPDD spare list



Lacron LCX/LCP - 1400

Part Number	Product Description	Diagram No.
6209430	Lacron Lid Yoke	3
2611	Lacron Oval Lid 'O' Ring	4
W12308	Manhole Lid 4 Stud Complete With Yoke, Nuts, Bolts 'O' Ring	1 to 5
17501B	4" Rose Distributor	6
1373H	Lcx-Lcp 1400 Header Assy Complete	7
2618	1 M Variable Brace Bar	8
2614	4" Pipe Clamp Set Complete	9
1373F	Lcx 1400 Underdrain Assy Complete	10
1373B	Drilled & Tapped Collector Set	11
1318	Heavy Duty Laterals 113mm (Lcx) (X 4)	12
1319	Heavy Duty Laterals 206mm (Lcx) (X 24)	13
1320	Heavy Duty Laterals 238mm (Lcx) (X 4)	14
1275	Heavy Duty Laterals 268mm (Lcx) (X 8)	15
1373G	Heavy Duty Lateral Set Complete	16
1554	4" 8 Stud Backing Ring	17
1534	4" Gasket Large (8 Hole)	18
1540	4" / 110mm Pvc Flange	19
1535	4" Gasket Small (8 Hole)	20
1552	4" Facing Ring	21
1684	M12 S/S Washer (Pack Of 5)	22
1685	M12 S/S Nut	23
1767	M12 Black Nut Cap (Pack Of 10)	24
1290	Threaded Clear Acrylic Disc	25
1789	2" S.n.n Gasket (3Mm Thk)	26
1434	2" Countoured Spacing Disc	27
W12065	2" S.n.n Body + Nut	28
17500C	LCX 1400 Airbleed Assy Complete	29
1478B	2" Sand Drain Complete	30
1767	M12 Black Nut Cap (Pack Of 10)	31
1685	M12 S/S Nut	32
1684	M12 S/S Washer (Pack Of 5)	33
42809A	Large Oval Hatch (18 Hole)	34
1713	Oval Hatch Gasket (18 Hole)	35
1753	M6 X 25mm Set Screw (Pack Of 10)	36
1753A	M6 X 20mm Set Screw (Pack Of 10)	37
1547 (W12633)	Filter Nozzle & Socket (LCP) (104 required)	n/a

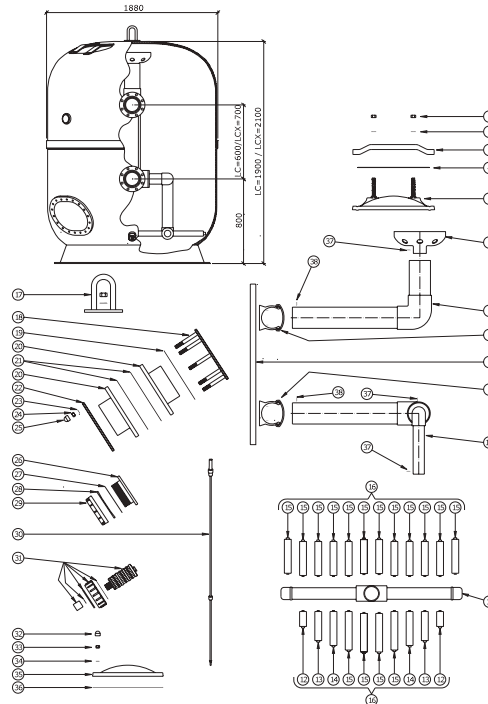
Note: For LCX/LCP made post year 2007, refer to SMDD/SPDD spare list



Lacron LCX/LCP - 1600

Part Number	Product Description	Diagram No.
6209430	Lacron Lid Yoke	3
2611	Lacron Oval Lid 'O' Ring	4
W12308	Manhole Lid 4 Stud Complete With Yoke, Nuts, Bolts 'O' Ring	1 to 5
17501B	4" Rose Distributor	6
1374E	LCX-LCP 1600 Header Assy Complete	7
2618	1 M Variable Brace Bar	8
2614	4" Pipe Clamp Set Complete	9
1374C	LCX 1600 Underdrain Assy Complete	10
1374A	Drilled & Tapped Collector Set	11
1318	Heavy Duty Laterals 113Mm (LCX) (X 4)	12
1319	Heavy Duty Laterals 206Mm (LCX) (X 4)	13
1320	Heavy Duty Laterals 238Mm (LCX) (X 28)	14
1275	Heavy Duty Laterals 268Mm (LCX) (X 8)	15
1401B	Heavy Duty Lateral Set Complete	16
1882G	Lifting Eye Assembly Complete	17
1554	4" 8 Stud Backing Ring	18
1534	4" Gasket Large (8 Hole)	19
1540	4" / 110mm Pvc Flange	20
1535	4" Gasket Small (8 Hole)	21
1552	4" Facing Ring	22
1769	M16 S/S Washer (Pack Of 5)	23
1762	M16 S/S Nut	24
1768	M16 Black Nut Cap (Pack Of 10)	25
1290	Threaded Clear Acrylic Disc	26
1789	2" S.n.n Gasket (3mm Thk)	27
1434	2" Countoured Spacing Disc	28
W12065	2" S.n.n Body + Nut	29
17500D	LCX 1600 Airbleed Assy Complete	30
1478B	2" Sand Drain Complete	31
1767	M12 Black Nut Cap (Pack Of 10)	32
1685	M12 S/S Nut	33
1684	M12 S/S Washer (Pack Of 5)	34
42809A	Large Oval Hatch (18 Hole)	35
1713	Oval Hatch Gasket (18 Hole)	36
1753	M6 X 25Mm Set Screw (Pack Of 10)	37
1753A	M6 X 20Mm Set Screw (Pack Of 10)	38
1547 (W12633)	Filter Nozzle & Socket (LCP) (92 required)	n/a

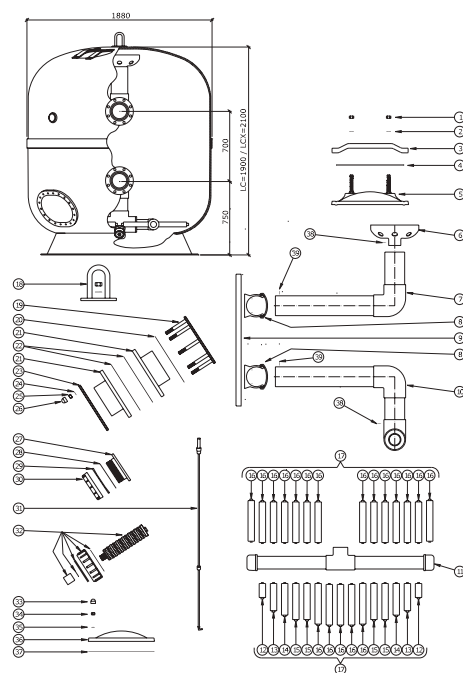
Note: For LCX/LCP made post year 2007, refer to SMDD/SPDD spare list



Lacron LCX/LCP - 1850

Part Number	Product Description	Diagram No.
6209430	Lacron Lid Yoke	3
2611	Lacron Oval Lid 'O' Ring	4
W12308	Manhole Lid 4 Stud Complete With Yoke, Nuts, Bolts 'O' Ring	1 to 5
17501	6" Rose Distributor	6
72093	LCX-LCP 1850 Header Assy Complete	7
2618	1 M Variable Brace Bar	8
2615	6" Pipe Clamp Set Complete (Set Of 2)	9
72092	Lcx 1850 Underdrain Assy Complete	10
1374B	Drilled & Tapped Collector Set	11
1318	Heavy Duty Laterals 113mm (LCX) (X 4)	12
1319	Heavy Duty Laterals 206mm (LCX) (X 4)	13
1320	Heavy Duty Laterals 238mm (LCX) (X 4)	14
1275	Heavy Duty Laterals 268mm (LCX) (X 8)	15
1277	Heavy Duty Laterals 300mm (LCX) (X 38)	16
1374F	Heavy Duty Lateral Set Complete	17
1882G	Lifting Eye Assembly Complete	18
2163	6" 8 Stud Backing Ring	19
2166	6" Gasket Large (8 Hole)	20
2167	6" / 160Mm Pvc Flange	21
2165	6" Gasket Small (8 Hole)	22
2164	6" Facing Ring	23
1769	M16 S/S Washer (Pack Of 5)	24
1762	M16 S/S Nut	25
1768	M16 Black Nut Cap (Pack Of 10)	26
1290	Threaded Clear Acrylic Disc	27
1789	2" S.n.n Gasket (3Mm Thk)	28
1434	2" Countoured Spacing Disc	29
W12065	2" S.n.n Body + Nut	30
17500	LCX 1850 Airbleed Assy Complete	31
1478A	3" Sand Drain Complete	32
1767	M12 Black Nut Cap (Pack Of 10)	33
1685	M12 S/S Nut	34
1684	M12 S/S Washer (Pack Of 5)	35
42809A	Large Oval Hatch (18 Hole)	36
1713	Oval Hatch Gasket (18 Hole)	37
1753	M6 X 25Mm Set Screw (Pack Of 10)	38
1753A	M6 X 20Mm Set Screw (Pack Of 10)	39
1547 (W12633)	Filter Nozzle & Socket (Lcp) (144 required)	n/a

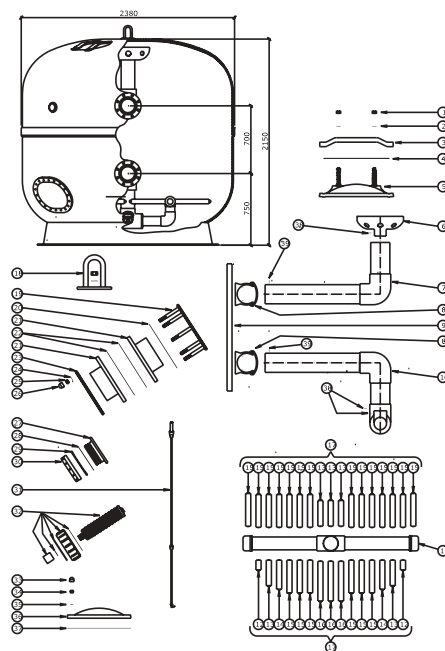
Note: For LCX/LCP made post year 2007, refer to SMDD/SPDD spare list



Lacron LCX/LCP - 2000

Part Number	Product Description	Diagram No.
6209430	Lacron Lid Yoke	3
2611	Lacron Oval Lid 'O' Ring	4
W12308	Manhole Lid 4 Stud Complete With Yoke, Nuts, Bolts 'O' Ring	1 to 5
17501	6" Rose Distributor	6
72772	LCX-LCP 2000 Header Assy Complete	7
2618	1 M Variable Brace Bar	8
2615	6" Pipe Clamp Set Complete (Set Of 2)	9
72771	LCX 2000 Underdrain Assy Complete	10
1375B	Drilled & Tapped Collector Set	11
1318	Heavy Duty Laterals 113mm (LCX) (X 4)	12
1320	Heavy Duty Laterals 238mm (LCX) (X 10)	13
1275	Heavy Duty Laterals 268mm (LCX) (X 4)	14
1277	Heavy Duty Laterals 300mm (LCX) (X 40)	15
1324	Heavy Duty Laterals 361mm (LCX) (X 6)	16
72770	Heavy Duty Lateral Candle Set	17
1882G	Lifting Eye Assembly Complete	18
2163	6" 8 Stud Backing Ring	19
2166	6" Gasket Large (8 Hole)	20
2167	6" / 160mm Pvc Flange	21
2165	6" Gasket Small (8 Hole)	22
2164	6" Facing Ring	23
1769	M16 S/S Washer (Pack Of 5)	24
1762	M16 S/S Nut	25
1768	M16 Black Nut Cap (Pack Of 10)	26
1290	Threaded Clear Acrylic Disc	27
1789	2" S.n.n Gasket (3mm Thk)	28
1434	2" Countoured Spacing Disc	29
W12065	2" S.n.n Body + Nut	30
17500A	LCX 2000 Airbleed Assy Complete	31
1478A	3" Sand Drain Complete	32
1767	M12 Black Nut Cap (Pack Of 10)	33
1685	M12 S/S Nut	34
1684	M12 S/S Washer (Pack Of 5)	35
42809A	Large Oval Hatch (18 Hole)	36
1713	Oval Hatch Gasket (18 Hole)	37
1753	M6 X 25mm Set Screw (Pack Of 10)	38
1753A	M6 X 20mm Set Screw (Pack Of 10)	39
1547 (W12633)	Filter Nozzle & Socket (LCP) (160 required)	n/a

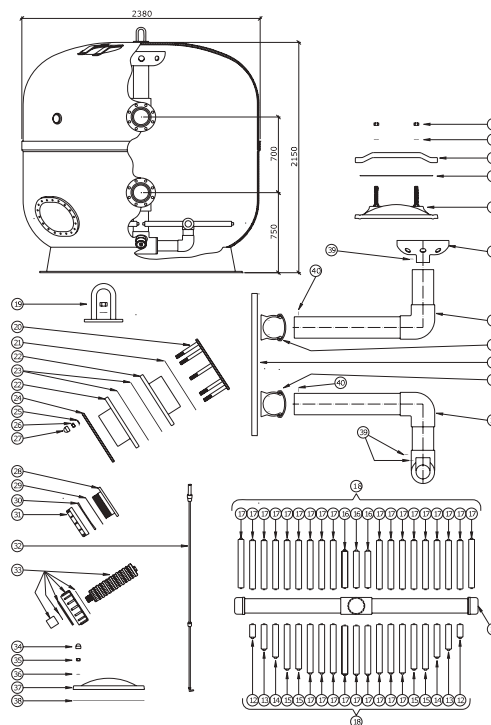
Note: For LCX/LCP made post year 2007, refer to SMDD/SPDD spare list



Lacron LCX/LCP - 2350

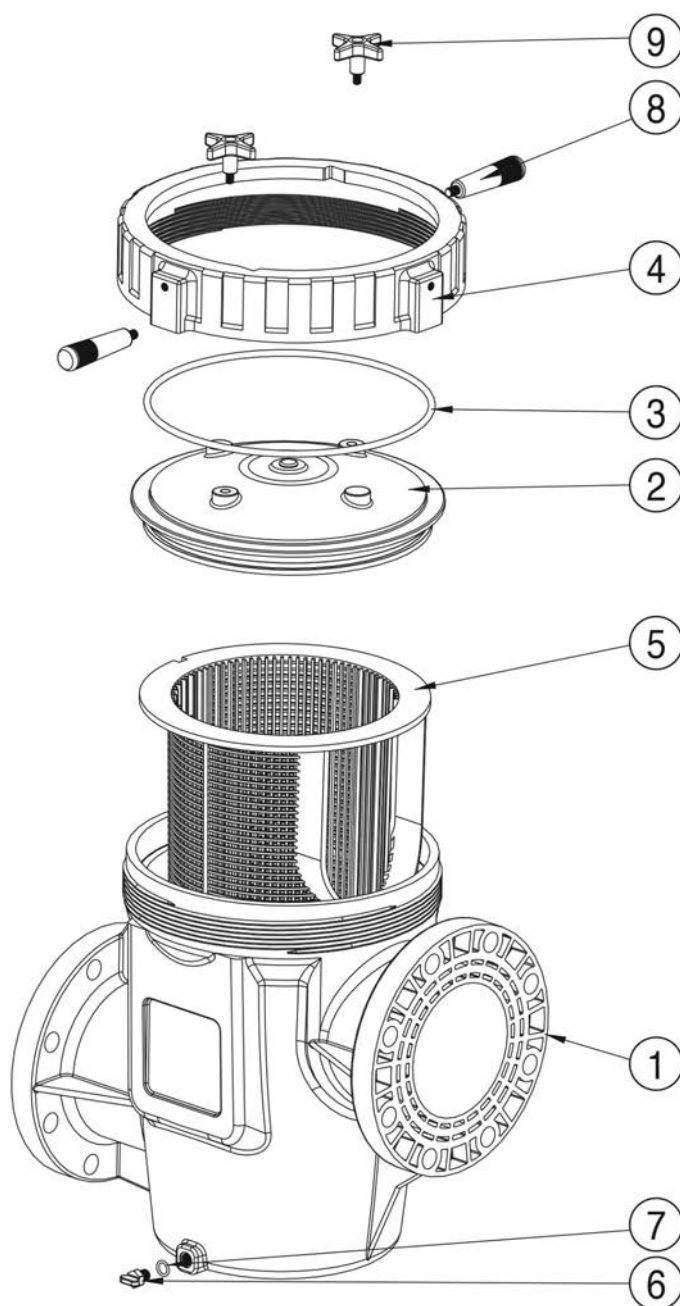
Part Number	Product Description	Diagram No.
6209430	Lacron Lid Yoke	3
2611	Lacron Oval Lid 'O' Ring	4
W12308	Manhole Lid 4 Stud Complete With Yoke, Nuts, Bolts 'O' Ring	1 to 5
17501	6" Rose Distributor	6
72876	LCX-LCP 2350 Header Assy Complete	7
2618	1 M Variable Brace Bar	8
2615	6" Pipe Clamp Set Complete (Set Of 2)	9
72877	LCX 2350 Underdrain Assy Complete	10
1375B	Drilled & Tapped Collector Set	11
1318	Heavy Duty Laterals 113mm (LCX) (X 4)	12
1319	Heavy Duty Laterals 206mm (LCX) (X 10)	13
1275	Heavy Duty Laterals 268mm (LCX) (X 4)	14
1277	Heavy Duty Laterals 300mm (LCX) (X 40)	15
1324	Heavy Duty Laterals 361mm (LCX) (X 6)	16
1325	Heavy Duty Laterals 392mm (LCX)	17
72785	Heavy Duty Lateral Set Complete	18
1882G	Lifting Eye Assembly Complete	19
2163	6" 8 Stud Backing Ring	20
2166	6" Gasket Large (8 Hole)	21
2167	6" / 160mm Pvc Flange	22
2165	6" Gasket Small (8 Hole)	23
2164	6" Facing Ring	24
1769	M16 S/S Washer (Pack Of 5)	25
1762	M16 S/S Nut	26
1768	M16 Black Nut Cap (Pack Of 10)	27
1290	Threaded Clear Acrylic Disc	28
1789	2" S.n.n Gasket (3mm Thk)	29
1434	2" Countoured Spacing Disc	30
W12065	2" S.n.n Black	31
17500E	LCX 2350 Airbleed Assy Complete	32
1478A	3" Sand Drain Complete	33
1767	M12 Black Nut Cap (Pack Of 10)	34
1685	M12 S/S Nut	35
1684	M12 S/S Washer (Pack Of 5)	36
42809A	Large Oval Hatch (18 Hole)	37
1713	Oval Hatch Gasket (18 Hole)	38
1753	M6 X 25Mm Set Screw (Pack Of 10)	39
1753A	M6 X 20Mm Set Screw (Pack Of 10)	40
1547 (W12633)	Filter Nozzle & Socket (LCP) (236 required)	n/s

Note: For LCX/LCP made post year 2007, refer to SMDD/SPDD spare list



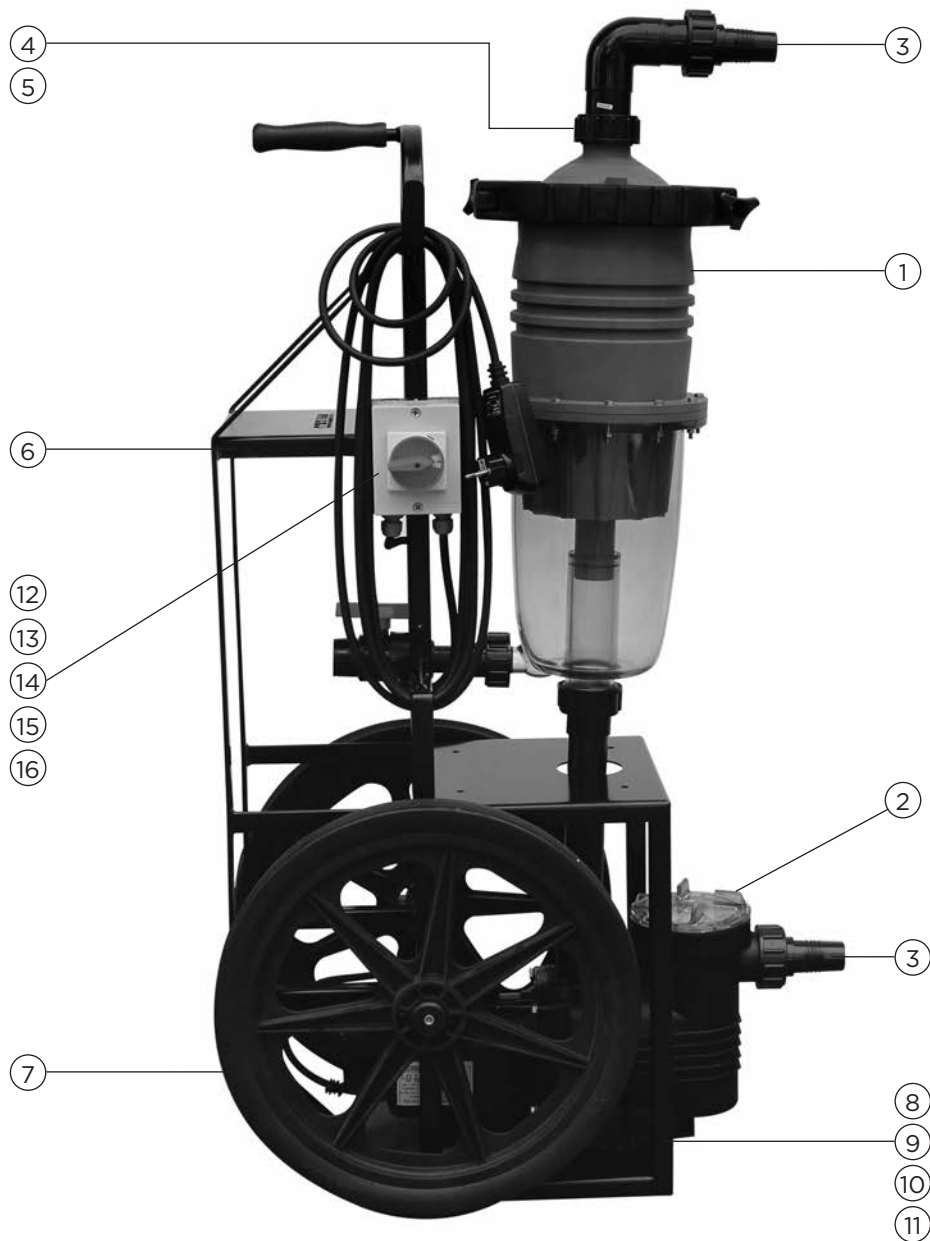
Hydro Commercial Strainer

Part Number	Product Description	Diagram No.
63409031	PP Strainer Housing 4" Threaded Port SS	1
63409032	PP Strainer Housing 6" Flange Port SS	1
63450581	PP Strainer Housing 4" Flange Port B/Hydro	1
63450582	PP Strainer Housing 4" Threaded Port B/Hydro	1
63450580	PP Strainer Housing 6" Flange Port B/Hydro	1
63450500	Hair & Lint Pot Lid 12" PC Clear	2
W32672	Lid O Ring AS452A NBR 50 Shore	3
620232	Filter Lock Ring 12"	4
63450520	Strainer Basket PP	5
63402302	Drain Plug 1/4" BSP	6
620193	O Ring BS112	7
6202321	Handles x 2, Opal Lid/12" + 16" lock ring	8
AXFI168	CF Knob	9



Ultravac Portable Cart

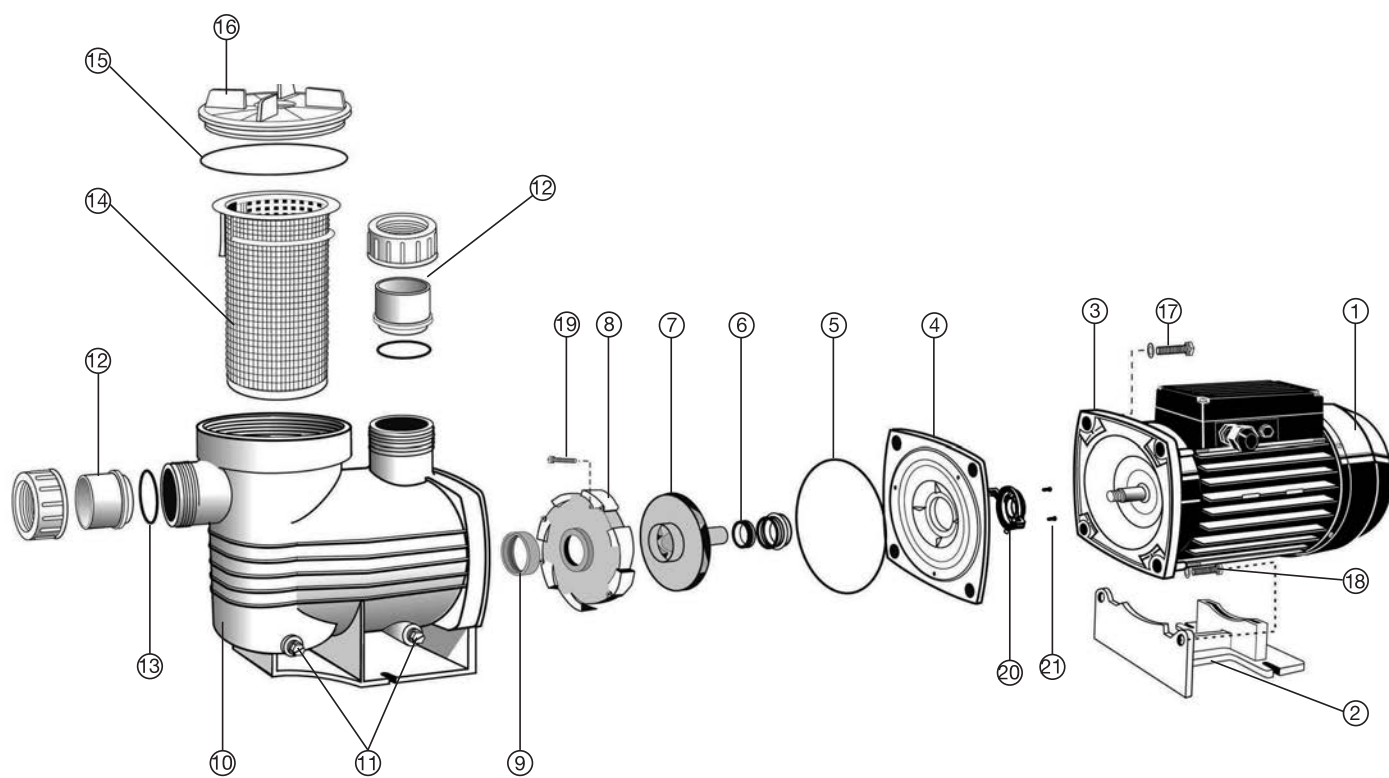
Part Number	Product Description	Diagram No.
200380	Multicyclone 12 Plus C40 Cart 50mm Metric EUM - See main pricelist	1
2403050PNR-M	Supastream Pump 050 PNR Metric - see main pricelist	2
122312	Hose Adaptor Barbed 1" x 1/2" Union	3
W02213	O-Ring 40mm B/U EPDM	4
W02208B	B/U Threaded End Slip / THRD 40mm Black	5
W32483	Metal Trolley Rack	6
W32487	Hollow Tread Wheel with PP Spoked Rim 20" x 1 3/4"	7
6340040	Bolt M6 x 20 SS316 For Pump Foot Mounting	8
W32478	Washer M6 SS304 For Pump Foot Mounting	9
W32479	Nut Hex M6 SS316 For Pump Foot Mounting	10
6340040	Washer M6 SS316 For Pump Foot Mounting	11
W32480	Screw M4 x 40 Allen Cap SS316 For Isolator Mounting	12
6340826	Nut M4 Nyloc Hexagonal SS304 For Isolator Mounting	13
W32482	Washer M4 SS316 For Isolator Mounting	14
S13314A	Wire Loom 1.5 x 300 Green For Grounding	15
W32484	Isolator 32A 230V - 440V & RCD Plug & Cable Assembly Suit UK Plug	16



Aquamite

Part Number	Product Description	Diagram No.
635029EM	Motor 0.37kW single phase motor (Pre November 2015)	1
635030EM	Motor 0.55kW single phase motor (Pre November 2015)	1
635034EM	Motor 0.75kW single phase motor (Pre November 2015)	1
6350255	Motor 550W (For 0.33HP - 1HP)	
6350275	Motor 750W (1.25HP)	
631781	Motor slinger (for 635034E)	n/s
635072	Pump foot	2
635074	Pump foot insert	n/s
6340222	Pump Foot (Post November 2015)	
634021	Pump Foot Insert (Post November 2015)	
S1226911	Pump body o ring	5
6340162	Mechanical seal (316 S/S)	6
63401625	Mechanical seal (Silicon Carbide S/S Viton)	6
635064	Impeller (Aquamite 33)	7
635065	Impeller (Aquamite 50)	7
635066	Impeller (Aquamite 75)	7
635067	Impeller (Aquamite 100)	7
635068	Impeller (Aquamite 125)	7
635061	Diffuser	8
635060	Diffuser gasket	9
635082	Pump face Hair/Lint pot body	10
63402302	Drain plug	11
620193	O-Ring BS112	n/s
122243B	1 1/2" half union c/w o ring	12
122245B	50mm European metric half union c/w o ring	12
W02213	Half union o ring	13
635085	H/L pot basket	14
635084	H/L pot lid o ring	15
635083	H/L Pot lid	16
63505321	Aquamite multi pack M8 bolts & washers	17/18
	2 x 635053 (M8 x 30 bolt)	
	4 x 630218 (M8 washer)	
	2 x 6350540 (M8 x 40 bolt)	
63506351	Aquamite/Aquastream Adaptor Kit:-	
	63506340 - Square bracket kit	4/19
	S1290816 - Screw M3x30mm Pan Head SS (each, 4 required)	19
	6340165 - Flange Protector kit	20
	63400833 - Screw # 4 x 3/8" pan head SS (each, 2 required)	21
	6340162 - Mechanical Seal SS 316	6
85517	Solar Insert Check Valve	22
634086	Lid Toolbar (suits all pumps)	n/s
For pumps with fan covers including screw fixings:		
6340451	Capacitors for Aquamite 033 & 050	n/s
6340452	Fans for Aquamite 033 & 050	n/s
6340444	Fan covers for Aquamite 033 & 050	n/s
6340446	Capacitors for Aquamite 075, 100 & 125	n/s
6340454	Fans for Aquamite 075, 100 & 125	n/s
6340440	Fan covers for Aquamite 075, 100 & 125	
634044704	Capacitor For Aquamite 0.33HP - 1.25HP (Post November 2015)	
For pumps with push on fan covers:		
634044	Fan cowling (100,125,150)	n/s
63404411	Fan cowling (50,75)	n/s
634045	Fan (100,125,150)	n/s
63404502	Fan (50,75)	n/s
634044701	Capacitor (100,125)	n/s
63404472	Capacitor (150)	n/s
634044601	Capacitor (50, 75)	n/s

Aquamite



Lacronite Pump

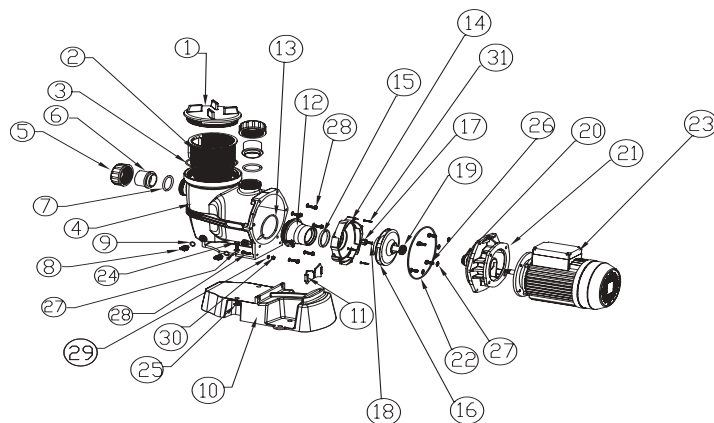
Part Number	Product Description	Diagram No.
63400821	Screw PT SS316 M4x25mm	31
6340060	H&L Pot Foot Nut M6 Ss316	30
6340030	H&L Pot Foot Washer M6 SS316	29
6340040	H&L Pot foot bolt (x20) SS316	28
6302180	Mounting Washer SS316 5/16x5/8	27
63401830	Hex set M8x20 SS316 (bracket to motor)	26
W22039	Nut M8 Heat Pump	25
W22424	Bolt M8x25mm SS316	24
63402700	Motor 700W (For 0.75HP & 0.5HP)	23
6340274EM	Motor 1HP	23
6340271	Motor 120W (For 1.25HP)	23
634017	Bracket O-Ring	22
63402031	Bracket Assembly MK3	21
6340162	Mechanical Seal SS316	19 & 20
82444205	O-Ring BS011	18
W22912	L/H Cap Screw Moulded	17
63401255	050 Impeller	16
63401256	050, 075 Impellor	16
63401257	100 Impellor (with hole)	16
6340130	125 Impellor (with hole)	16
63401430	150 Impellor (with hole)	16
6340145	200 Impellor (with hole)	16
634011	Diffuser Gasket	15
634010	Diffuser	14
6340113	Diffuser O-Ring	13
634079	Suction Nozzle	12
634021	Pump Foot Insert	11
6340892	Lacronite Pump Base	10
620193	O-Ring BS112	9
63402301	Drain Plug 1/4" NPT	8
122243B	1/2" Union Complete with O-Ring	5,6 & 7
122245B	50mm Union Complete with O-Ring	5,6 & 7
6340894	Lacronite Pump Housing 1/2 Port	4
63151	H&L Pot Lid O-Ring	3
6340891	Lacronite H&L pot	2
634000	H&L Pot Lid	1

For pumps with fan covers including screw fixings:

6340451	Capacitors for Aquamite 033 & 050	n/s
6340452	Fans for Aquamite 033 & 050	n/s
6340444	Fan Covers for Aquamite 033 & 050	n/s
6340446	Capacitors for Aquamite 075, 100 & 125	n/s
6340454	Fans for Aquamite 075, 100 & 125	n/s
6340440	Fan Covers for Aquamite 075, 100 & 125	n/s

For pumps with push on fan covers:

634044	Fan Cowling (100,125,150)	n/s
63404411	Fan Cowling (50,75)	n/s
634045	Fan (100,125,150)	n/s
63404502	Fan (50,75)	n/s
634044701	Capacitor (100,125)	n/s
63404472	Capacitor (150)	n/s
634044601	Capacitor (50, 75)	n/s

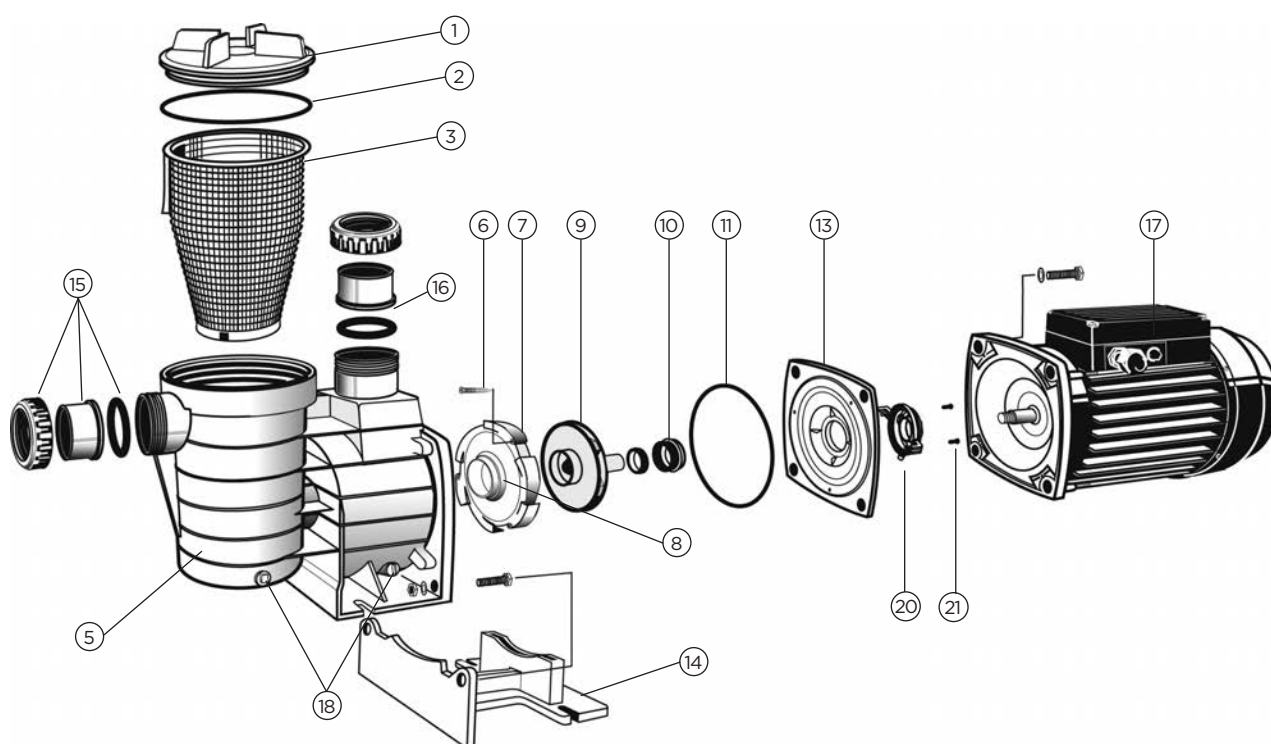


Supatuf

Part Number	Product Description	Diagram No.
634000	H/L pot lid	1
63151	H/L pot lid o ring	2
6350011	H/L pot basket mk2	3
6350191	Pump face H/L pot body (Supatuf 50 - 200)	5
63501912	Pump face H/L pot (Supatuf 250 - 300)	5
635017	Diffuser (Supatuf 50 - 200)	7
635022	Diffuser (Supatuf 250 - 300)	7
634011	Diffuser gasket	8
635015	Impeller (Supatuf 50)	9
635010	Impeller (Supatuf 75)	9
63501100	Impeller (Supatuf 100)	9
635014	Impeller (Supatuf 125)	9
63501200	Impeller (Supatuf 150)	9
6350134	Impeller (Supatuf 200)	9
6350230	Impeller (Supatuf 250)	9
6350160	Impeller (Supatuf 300) (suit screw type)	9
6350180	Impeller (Supatuf 350) (suit screw type)	9
6340162	Mechanical seal (316 s/s)	10
63401625	Mechanical seal (Silicon Carbide S/S Viton)	10
635028	Pump body o ring	11
6340222	Pump foot (Supatuf 75 -125)	14
6340223	Pump foot (Supatuf 150 - 250)	14
634024BLK	2" Half union c/w o ring	15
634024EBLK	63mm European metric Half union c/w o ring	15
W02280	Half union o ring	16
635029EM	Motor 0.37 kW single phase (For 0.5HP)	17
635030EM	Motor 0.55 kW single phase (For 0.75HP)	17
635034EM	Motor 0.75 kW single phase (For 1HP & 1.25HP)	17
635035EM	Motor 1.10 kW single phase (For 1.5HP)	17
635036EM	Motor 1.50 kW single phase (For 2HP & 2.5HP)	17
635038EM	Motor 1.80 kW single phase (For 3HP)	17
63502933	Motor 0.37 kW three phase (IE3)	17
63503033	Motor 0.55 kW three phase (IE3)	17
63503433	Motor 0.75 kW three phase (IE3)	17
63503533	Motor 1.10 kW three phase (IE3)	17
63503633	Motor 1.50 kW three phase (IE3)	17
63503733	Motor 1.80 kW three phase (IE3)	17
63503833	Motor 2.20 kW three phase (IE3)	17
63402301	Drain Plug	18
6340020	Supatuf M6 multi pack bolts & washers 2 x 6340060 (M6 nut) 2 x 6340030 (M6 washer) 2 x 63400410 (M6 x 25 bolt)	n/s
63401813	Supatuf M10 multi pack bolts & washers (pre 2003) 4 x 6302181 (M10 washer) 4 x 6340181 (M10 x 30 bolt)	n/s
63401812	Supatuf M8 multi pack bolts & washers(2003 current body) 4 x 6302180 (M8 washer) 4 x 6350530 (M8 x 30 bolt)	n/s
634086	Lid Toolbar (suits all pumps)	n/s
6350212	Adaptor kit for Supatuf/Supaflo (50 - 200) 6350215 -Square Bracket S1290816 - Screw M3x30mm Pan Head SS (each, 3 required) 6340165 - Flange Protector Kit 63400833 - Screw # 4 x 3/8" Pan Head SS (each, 2 required) 6340162 - Mechanical Seal SS 316	13 6 20 21 10
TBA	Adaptor kit for Supatuf/Supaflo (250 - 350) 6350215 -Square Bracket 63400835 - Screw M3x45 SS304 Pan Head SS (each, 3 required) 6340165 - Flange Protector Kit 63400833 - Screw # 4 x 3/8" Pan Head SS (each, 2 required) 6340162 - Mechanical Seal SS 316	13 6 20 21 10

Supatuf

6350215	Adapter plate	13
6340162	Mechanical seal (316 s/s)	10
63401625	Mechanical seal (Silicon Carbide S/S Viton)	10
634086	Lid Toolbar (suits all pumps)	n/s
6340451	Capacitors for Supatuf 050	n/s
6340452	Fans for Supatuf & 050	n/s
6340444	Fan covers for Supatuf 050	n/s
6340446	Capacitors for Supatuf 075, 100 & 125	n/s
6340454	Fans for Supatuf 075, 100 & 125	n/s
6340440	Fan covers for Supatuf 075, 100 & 125	n/s
6340447	Capacitors for Supatuf 150, 200 & 250	n/s
6340455	Fans for Supatuf 150, 200 & 250	n/s
6340443	Fan covers for Supatuf 150, 200 & 250	n/s

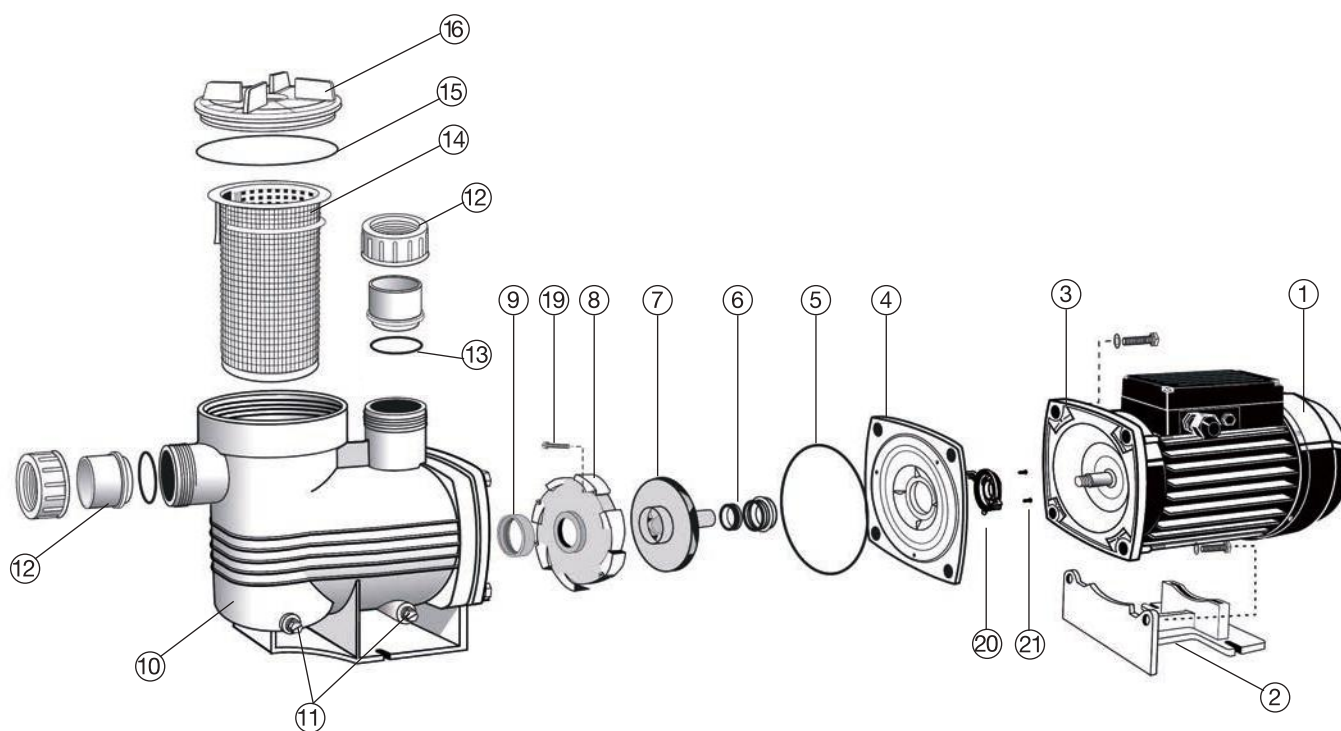


Supastream

Part Number	Product Description	Diagram No.
635029EM	Motor 0.37 kW Single Phase (Pre July 2014)	1
635030EM	Motor 0.55 kW Single Phase (Pre July 2014)	1
635034EM	Motor 0.75 kW Single Phase (Pre July 2014)	1
635035EM	Motor 1.10 kW Single Phase (Pre July 2014)	1
6350293EM	Motor 0.37 kW Three Phase (Pre July 2014)	1
6350303EM	Motor 0.55 kW Three Phase (Pre July 2014)	1
6350343EM	Motor 0.75 kW Three Phase (Pre July 2014)	1
6350353EM	Motor 1.10 kW Three Phase (Pre July 2014)	1
6350255	Motor 550W (For 1Hp & 1.25Hp) (Post July 2014)	
6350275	Motor 750W (For 0.5Hp & 0.75Hp) (Post July 2014)	
6350295	Motor 1100W (For 1.5Hp) (Post July 2014)	
635072	Motor Pump Foot (Pre July 2014)	2
635074	Pump Foot Insert (Supastream 75, 100 & 125) (Pre July 2014)	n/s
6340222	Pump Foot (Pre July 2014)	
634021	Pump Foot Insert 0.5Hp - 1Hp)	
63506350	Square Bracket With Brass Insert	4
S1226911	Pump Body O Ring	5
6340162	Mechanical Seal (316 S/S)	6
63401625	Mechanical Seal (Silicon Carbide S/S Viton)	6
635065	Impeller (Supastream 50)	7
635096	Impeller (Supastream 75)	7
635097	Impeller (Supastream 100)	7
635098	Impeller (Supastream 125)	7
635099	Impeller (Supastream 150)	7
635061	Diffuser	8
635060	Diffuser Gasket	9
W12963	Pump Face H/L Pot Body	10
63402302	Drain Plug 1/4" BSP	11
122243B	1 1/2" Half Union C/W O Ring	12
122245B	50mm European Metric Half Union C/W O Ring	12
W02213	Half Union O-Ring	13
635087	H/L Pot Basket	14
635052	H/L Pot Lid O Ring	15
635051	H/L Pot Lid	16
S1160963	Supastream M8 Multi Pack Bolts & Washers	17
	2 X 6350530 (M8 X 30 Bolt) (Pre July 2014)	
	4 X 6302180 (M8 Washer) (Pre July 2014)	
	2 X 6350530 (M8 X 30 Bolt) (Pre July 2014)	
	4 X 6350540 (M8 X 40 Bolt) (Post July 2014)	
	4 X 6302180 (M8 Washer) (Post July 2014)	
634086	Toolbar (suit all pumps)	n/s
635063510	Adaptor kit	
	63506350 - Square Bracket Kit	4 & 19
	S1290816 - Screw M3 x 30mm Pan Head SS (each, 4 required)	19
	6340165 - Flange Protector Kit	20
	63400833 - Screw#4x3/8" Pan Head SS (each, 2 required)	21
	6340162 - Mechanical Seal SS 316	6
	63813922 - O-Ring BS029	
6340446	Capacitors for Supastream 075, 100 & 125	n/s
6340454	Fans for Supastream 075, 100 & 125	n/s
6340440	Fan covers for Supastream 075, 100 & 125	n/s
6340447	Capacitors for Supastream 150, 200 & 250	n/s
6340455	Fans for Supastream 150, 200 & 250	n/s
6340443	Fan covers for Supastream 150, 200 & 250	n/s
	For pumps with fan covers including screw fixings:	
6340451	Capacitors for Supastream 033 & 050	n/s
6340452	Fans for Supastream 033 & 050	n/s
6340444	Fan covers for Supastream 033 & 050	n/s
6340446	Capacitors for Supastream 075, 100 & 125	n/s
6340454	Fans for Supastream 075, 100 & 125	n/s
6340440	Fan covers for Supastream 075, 100 & 125	n/s
634044704	Capacitor For Supastream 0.5 - 1.5HP (Post July 2014)	

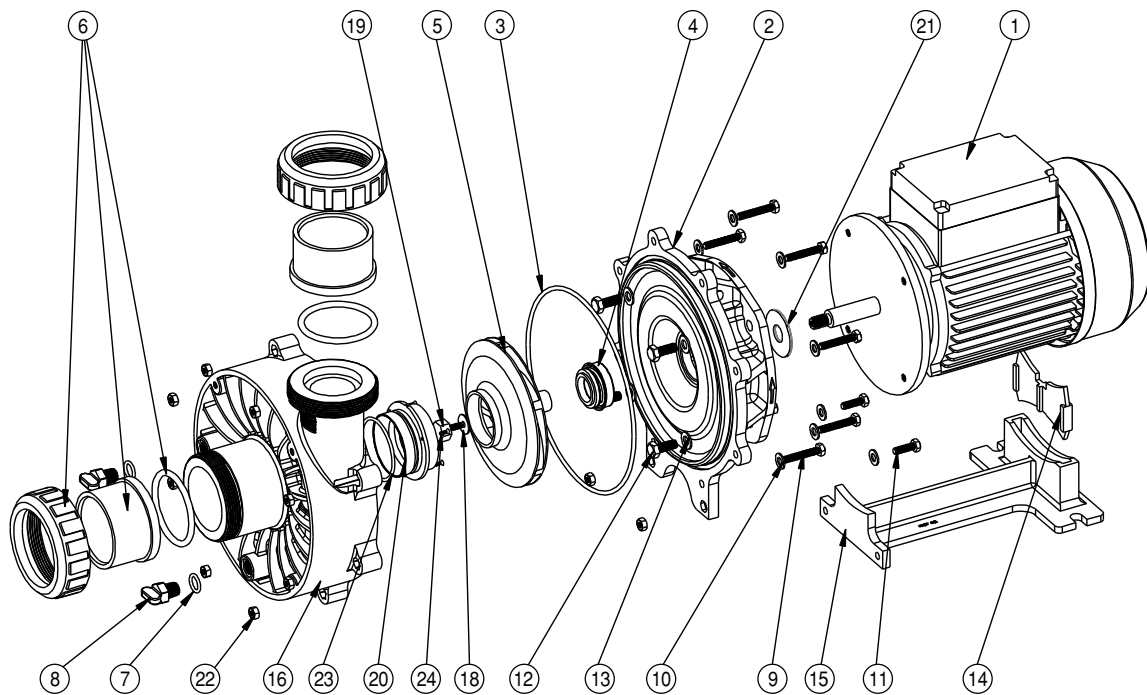
Supastream

For pumps with push on fan covers:		
634044	Fan cowling (100,125,150)	n/s
63404411	Fan cowling (50,75)	n/s
634045	Fan (100,125,150)	n/s
63404502	Fan (50,75)	n/s
634044701	Capacitor (100,125)	n/s
63404472	Capacitor (150)	n/s
634044601	Capacitor (50, 75)	n/s



Turboflo

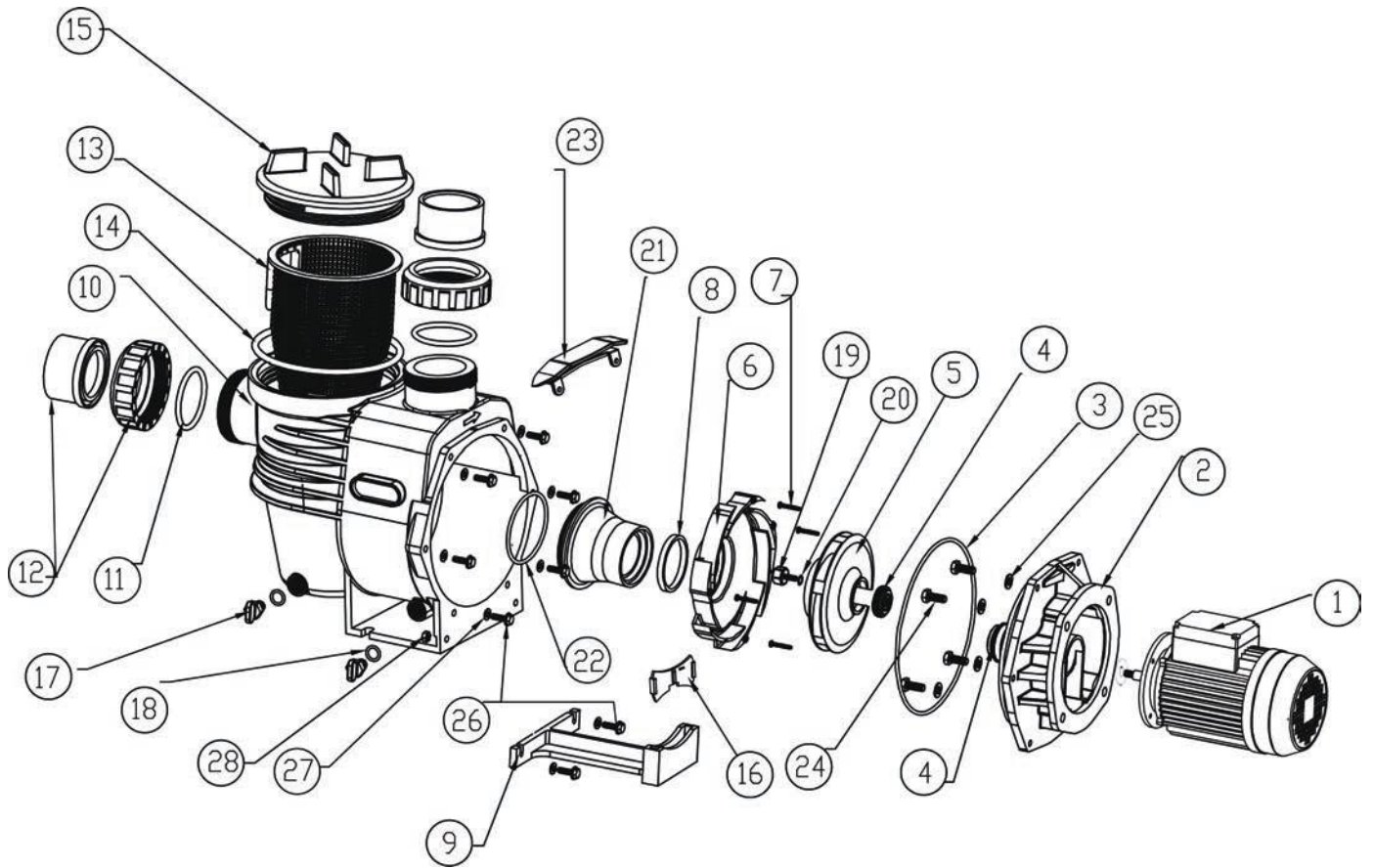
Part Number	Product Description	Diagram No.
6340274EM	Motor 0.75HP & 1HP, IPH	1
634027433	Motor 0.75HP & 1HP, 3PH, IE3	1
6340275EM	Motor 1.25HP & 1.5HP, 2HP, IPH	1
634027533	Motor 1.25HP & 1.5HP, 2HP, 3PH, IE3	1
6340277EM	Motor 2.5HP, IPH	1
63402933	Motor 2.5HP, 3PH, IE3	1
634030EM	Motor 3.0HP, IPH	1
63403033	Motor 3.0HP, 3PH, PE3	1
634040303IE3	Motor 4HP, 3PH, IE3	1
634101	Bracket	2
61307	Bracket O-Ring	3
6340162	Mechanical seal	4
634012	Impeller - 1.0hp	5
6340143	Impeller - 1.5hp	5
6340145	Impeller - 2.0hp	5
6340157	Impeller - 2.5hp	5
63401534	Impeller - 3.0hp	5
634055	Impeller - 4.0hp	5
634024BLK	Half Union 50mm with O Ring (x2)	6
620193	Drain Plug O Ring - BS112 (x2)	7
63402301	Drain Plug (x2)	8
63400411	Hex Set Screw - M6x35 SS316 (x8)	9
6340030	Washer - 1/4x9 SS316 (x10)	10
6340040	Hex Set Screw - M6x20 SS316 (x2)	11
63401830	Hex Set Screw - M8x20 SS316 (x4)	12
6302180	Washer - 5/16x5 SS316 (x4)	13
63402122	Foot Insert (alternate)*	14
634106	Pump Foot	15
634100	Pump Body	16
82444205	O-Ring BS011 (3HP & Below)	18
6340412	O Ring (for 4.0hp)	18
W22912	H/Hand Screw M5 x 18 Moulded (3HP & Below)	19
6340411	Nut M10 Overmoulded 4.0hp	19
634104	Suction Nozzle - 1.0hp to 2.5hp	20
631781	Motor Slinger - 1.0hp to 2.5hp	21
631782	Motor Slinger - 3.0hp, 4.0hp	21
72591133	Suction Nozzle O Ring - BS138 (1.0hp to 2.5hp)	23
63612642	PT Screw 3Gx6.5, Countersunk SS316 (x3)	24



Hydrostorm

Part Number	Product Description	Diagram No.
6340274EM	Motor 0.75 Kw Single Phase	1
6340275EM	Motor 1.10 Kw Single Phase	1
6340277EM	Motor 1.50 Kw Single Phase	1
634030EM	Motor 2.20 Kw Single Phase	1
634027433	Motor 0.75 Kw Three Phase IE3	1
634027533	Motor 1.10 Kw Three Phase IE3	1
63402933	Motor 1.50 Kw Three Phase IE3	1
6340303EM	Motor 2.20 Kw Three Phase IE3	1
63402033	Mounting Bracket/Adaptor Plate	2
634017	Pump Body O-Ring	3
6340162	Mechanical Seal (316 S/S)	4
63401625	Mechanical Seal (Silicon Carbide S/S Viton)	4
6340120	Impeller (Hydrostorm 75)	5
6340130	Impeller (Hydrostorm 100)	5
63401430	Impeller (Hydrostorm 150)	5
6340145	Impeller (Hydrostorm 200)	5
6340157	Impeller (Hydrostorm 250)	5
63401534	Impeller (Hydrostorm 300)	5
63401533	Impeller (Hydrostorm 350)	5
W22912	L/Hand Screw Moulded M5 x 18	19
634010	Diffuser (Hydrostorm 75, 100, 150, 200, 250)	6
6340103	Diffuser (Hydrostorm 300, 350)	6
W22841	Diffuser Screw (set of 4)	7
82444205	O-Ring BS011	20
634011	Diffuser Gasket	8
6340113	Diffuser O-Ring 3.50hp	8
634022	Pump Foot	9
634021	Pump Foot Insert (Hydrostorm 300-350 & All 3 Phase)	16
6340052	H/L Pot Body & Pump Face	10
W02280	2" Half Union O-Ring	11
634024BLK	2" Half Union C/W O Ring	12
63402400	63Mm European Metric Half Union C/W O Ring	12
122257	2" X 1 1/2" Half Union (Suit 1.00, 1.25Hp 2002)	12
634001	H/L Pot Basket	13
63151	H/L Pot Lid O-Ring	14
634000	H/L Pot Lid	15
63402301	Drain Plug 1/4" NPT	17
620193	O-Ring BS112	18
634018371	Hydrostorm M8 Multi Pack Bolts & Washers (316 S/S)	n/s
	6 X 63401830 (M8 X 20 Bolt)	
	6 X 6302180 (M8 Washer)	
634086	Lid Toolbar (Suits All Pumps)	n/s
6340446	Capacitors For Hydrostorm 075, 100 & 125	n/s
6340454	Fans For Hydrostorm 075, 100 & 125	n/s
6340440	Fan Covers For Hydrostorm 075, 100 & 125	n/s
6340447	Capacitors For Hydrostorm 150, 200 & 250	n/s
6340455	Fans For Hydrostorm 150, 200 & 250	n/s
6340443	Fan Covers For Hydrostorm 150, 200 & 250	n/s
6340790	Suction Nozzle (1HP - 2.5HP)	21
6340810	Suction Nozzle (3HP - 3.5HP)	21
6340113	O-Ring BS234	22
63402030	Hydrostorm Bracket Handle	23
63401830	Bolt M8 x 20 x 4	24
6302180	Washer M8 x 4	25
63400410	Bolt M6 x 25 x 6	26
6340030	Washer M6 x 8	27
6340060	Nut M6	28

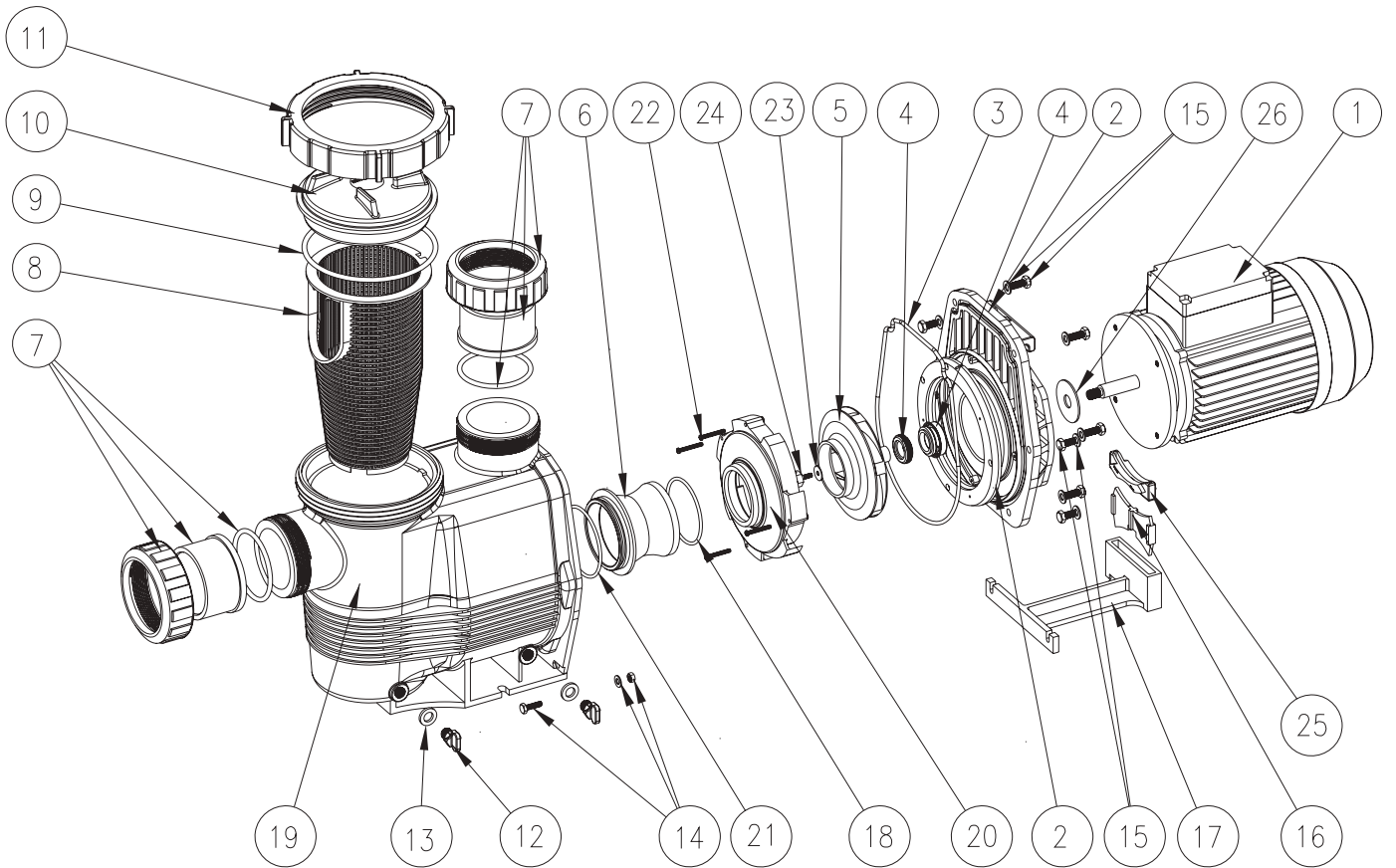
Hydrostorm



Hydrostorm Plus

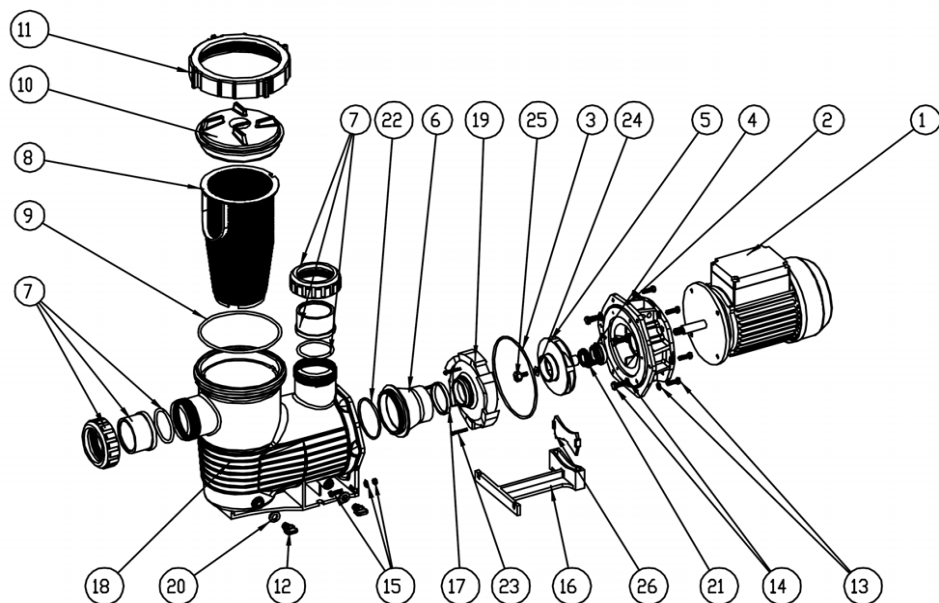
Part Number	Product Description	Diagram No.
6340274EM	Motor 0.75 kW Single Phase	1
6340275EM	Motor 1.10 kW Single Phase	1
6340277EM	Motor 1.50 kW Single Phase	1
634030EM	Motor 2.20 kW Single Phase	1
634027433	Motor 0.75 kW Three Phase	1
634027533	Motor 1.10 kW Three Phase	1
63402933	Motor 1.50 kW Three Phase	1
63403773	Motor 1.80 kW Three Phase	1
63403033	Motor 2.20 kW Three Phase	1
63406813	Bracket Assembly	2
634070	Pump Body O-Ring	3
6340162	Mechanical Seal (316 S/S)	4
63401625	Mechanical Seal (Silicon Carbide S/S Viton)	4
6340120	Impeller (Hydrostorm Plus 100)	5
6340130	Impeller (Hydrostorm Plus 125)	5
63401430	Impeller (Hydrostorm Plus 150)	5
6340145	Impeller (Hydrostorm Plus 200)	5
6340157	Impeller (Hydrostorm Plus 250)	5
63401534	Impeller (Hydrostorm Plus 300)	5
63401533	Impeller (Hydrostorm Plus 350)	5
634015350	Impeller With Flats (Hydrostorm Plus 400)	5
634079	Suction Nozzle (100 - 250)	6
634081	Suction Nozzle (300 - 400)	6
634024Blk	2" Half Union C/W O Ring	7
63402400	63Mm European Metric Half Union C/W O Ring	7
W02280	2" Half Union O-Ring	7
63406550Blk	2 1/2" / 2" Half Union (Suit 6340783)	7
63406556Blk	2 1/2" / 2" Half Union C/W 63 Mm Metric Tail Piece	7
63406565Eblk	2 1/2" Half Union C/W 75Mm Metric Tail Piece C/W O Ring	7
644490	2 1/2" / 3" Half Union Plain End Only (Suit 6340783)	7
12780	Coupling 3"	N/S
634085	H/L Pot Basket	8
61214	H/L Pot O Ring	9
634082	H/L Pot Lid	10
61209	H/L Pot Lock Ring	11
63402301	Drain Plug	12
620193	O-Ring Bs112	13
634004211	Hydrostorm M6 Multi Pack Bolts & Washers (316 S/S)	14
	2 X 6340040 (M6 X 20 Bolt)	
	2 X 6340030 (M6 Washer)	
	2 X 6340060 (M6 Nut)	
634018371	Hydrostorm M8 Multi Pack Bolts & Washers (316 S/S)	15
	10 X 63401830 (M8 X 20 Bolt)	
	10 X 6302180 (M8 Washer)	
634021	Pump Foot Insert (100 - 350)	16
634073	Pump Foot Insert (400 Only)	16
634022	Pump Foot (100 - 350)	17
634072	Pump Foot (400 Only)	17
634011	Diffuser Gasket (100 - 250)	18
6340113	Diffuser Gasket (300 - 400)	18
634076	Pump Face H/L Pot Body 50Mm (Hydrostorm Plus 100 - 250)	19
634078	Pump Face H/L Pot Body 65Mm (Hydrostorm Plus 300, 350)	19
634010	Diffuser (Hydrostorm Plus 100 - 250)	20
6340103	Diffuser (Hydrostorm Plus 300, 400)	20
6340113	Suction Nozzle O-Ring	21
W22841	Diffuser Screw (Set Of 4) (100 - 250)	22
S1290816	Diffuser Screw (Set Of 4) (300 - 400)	22
82444205	O-Ring Bs011 (1Hp - 3Hp)	23
6340412	O Ring Bs113 (400 Only)	23
W22912	4 Hand Screw M5 X 18 Moulded	24
6340411	Nut M10 Overmoulded	24
631782	Motor Slinger (1Hp - 2.5Hp)	26
634086	Lid Toolbar (Suits All Pumps)	N/S

Hydrostorm Plus



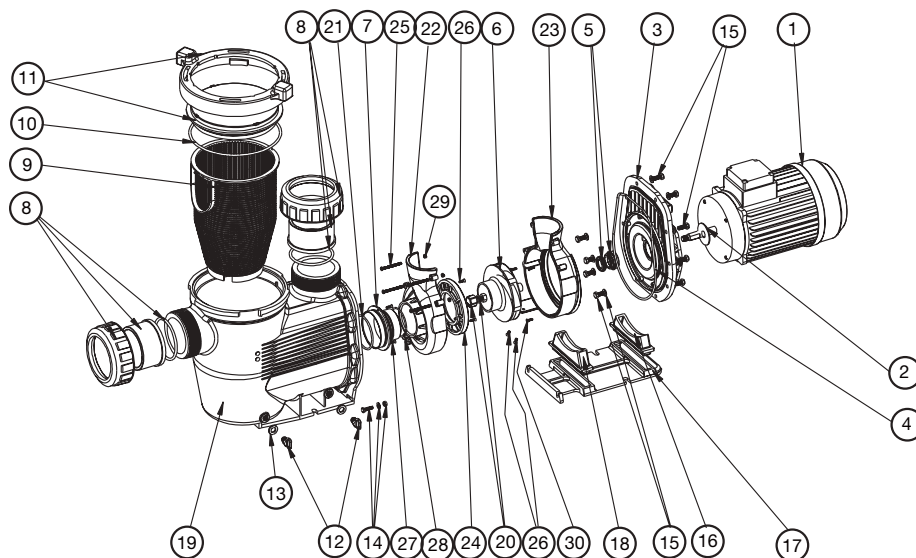
Hydrotuf

Part Number	Product Description	Diagram No.
6340274EM	Motor for Hydrotuf 100, 125	1
6340275EM	Motor for Hydrotuf 150, 200 (Pre June 2016)	
63402743	Motor for Hydrotuf (Post June 2016)	1
6350216	Hydrotuf Bracket	2
635028	Pump Body O ring	3
6340162	Mechanical Seal	4
63501625	Mechanical seal (silicone carbide s/s viton)	4
63501103	Impeller 100	5
63501403	Impeller 125	5
63501201	Impeller 150	5
63401340	Impeller 200	5
6350232	Impeller 250	5
6350162	Impeller 300	5
634079	Suction Nozzle	6
634024BLK	2" imperial Half Union C/W O-Ring	7
63402400	63mm Metric Half Union C/W O-Ring	7
634085	H/L Pot Basket	8
61214	H/L Pot O ring	9
634082	H/L Pot Lid	10
61209	H/L Pot Lock Ring	11
63402301	Drain Plug 1/4" NPT (2 required)	12
620193	O-Ring BS112	
634018371	M8 Multi Pack Bolts & Washers 316 S/S 10 x 6302180 M8 Washer (4 required) 10 x 63401830 M8 x 20 Bolt (4 required)	14
634004211	M6 Multi Pack Bolts & Washers 316 S/S 2 x 6340030 M6 Washer (8 required) 2 x 6340040 M6 x 20 Bolt (8 required) 2 x 6340060 M6 Nut (2 required)	15
6340223	Pump Foot	16
634011	Diffuser Gasket	17
63501915	Pump Face H/L Pot Body 50mm	18
635017	Diffuser	19
6340212	Pump Foot Insert (150, 200)	26
63402123	Pump Foot Insert (075, 100, 125)	26
634086	Lid Toolbar (suits all pumps)	n/s
6340113	O-Ring BS234	22
S1290816	Diffuser Screw (Require 4)	23
82444205	O-Ring BS011	24
W22912	L/Hand Screw Moulded	25



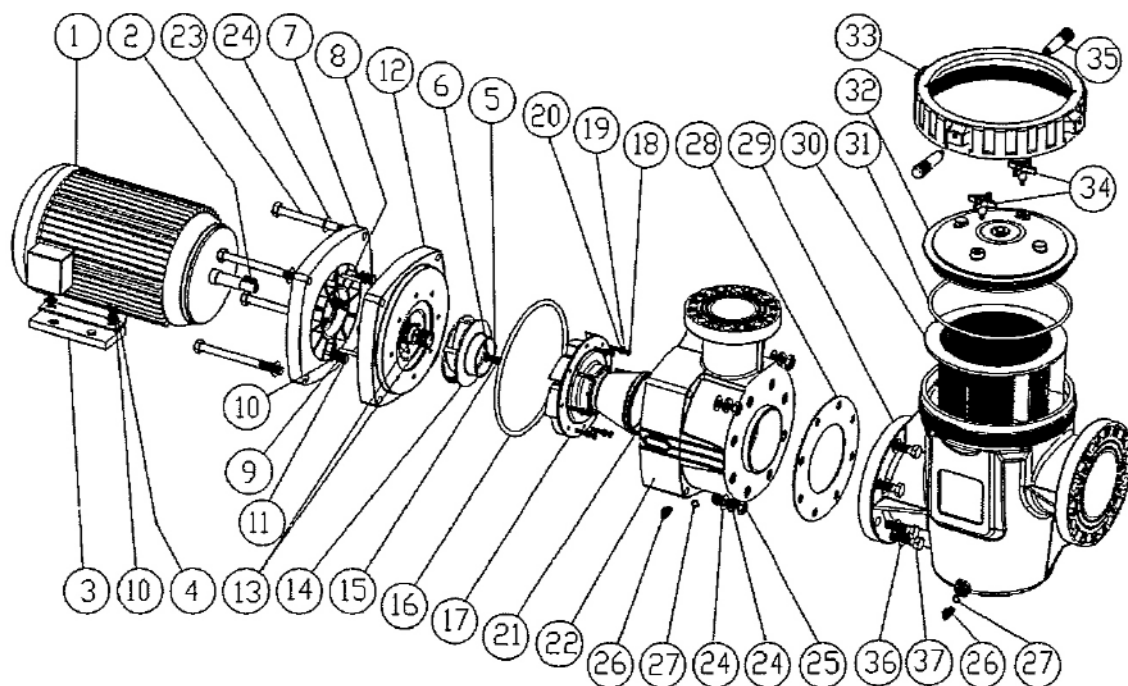
Hydrostar Commercial MK3 (Post 08/2006)

Part Number	Product Description	Diagram No.
634040313	Motor 3 kW Three Phase IE3 (Hydrostar 400, 500)	1 & 2
634055313	Motor Three Phase IE3 (Hydrostar 600)	1 & 2
6340700313	Motor 5.5 kW Three Phase IE3 (Hydrostar 700)	1 & 2
631782	Motor Slinger 52 X 16 X 2	2
6340682	Hydrostar Bracket	3
6340700	Bracket O Ring	4
6340162	Mechanical Seal (316 S/S)	5
63401625	Mechanical Seal (Silicon Carbide S/S Viton)	5
6340550	Impeller (Hydrostar 400 Mk2) To Suit Keyshaft	6
6340560	Impeller (Hydrostar 500 Mk2) To Suit Keyshaft	6
6340570	Impeller (Hydrostar 600 Mk2) To Suit Keyshaft	6
6340580	Impeller (Hydrostar 700 Mk2) To Suit Keyshaft	6
6340543	Hydrostar Volute Nozzle	7
634080BLK	3" Half Union C/W O Ring	8
634080EBLK	90Mm European Metric Half Union C/W O-Ring	8
W02249	3" Half Union O-Ring	8
6340630	Basket Pump Hydrostar Commercial	9
634075	H/L Pot Lid O-Ring	10
6340651	H/L Pot Quarter Turn Lid And Lock Ring	11
63402301	Drain Plug 1/4" Npt (2 Required)	12
620193	O-Ring BS112	13
634004211	M6 Multi Pack S/S 316 (Pack Of 2)	14
	2 X 6340040 (Screw M6 X 20 Hex Set SS316)	
	2 X 6340030 (Washer Ss316 1/4" X 9/16" X 18G)	
	2 X 6340060 (Nut M6 Hex Ss316)	
634018371	M8 Multi Pack S/S 316 (Pack Of 6)	15
	14 X 63401830 (Screw Hex Set M8 X 20 S/S316)	
	14 X 6302180 (Washer S/S 316 5/16" X 5/8" X 18G)	
634073	Pump Foot Insert (Hydrostar 400 - 600)	16/18
6340741	Pump Foot Insert (Hydrostar 700)	16/18
634072	Pump Foot (All Models)	17
6340514	Hydrostar Body 3" Port Mk2	19
6340411	Nut M10 Overmoulded (For Mk2 Motors)	20
6340412	O-Ring (BS113)	20
663393	O-Ring (BS152)	21
6340540	Volute Front	22
6340541	Volute Rear	23
6340542	Volute Insert (400, 500)	24
6340825	Screw M4 X 40Mm P/Head SS304 (4 Required)	25
6340828	Screw 8G X 3/8" Countersunk SS304 (5 Required)	26
W12276	1/2" X4g SS316 Screw	27
6340115	O-Ring (Bs145)	28
6340826	Nut M4 Nyloc Hex SS304 (4 Required)	29
6340827	Screw 8G X 13Mm Countersunk Ss304 (3 Required)	30
636059	Motor Rotation Indicator	n/s



Hydrostar Plus

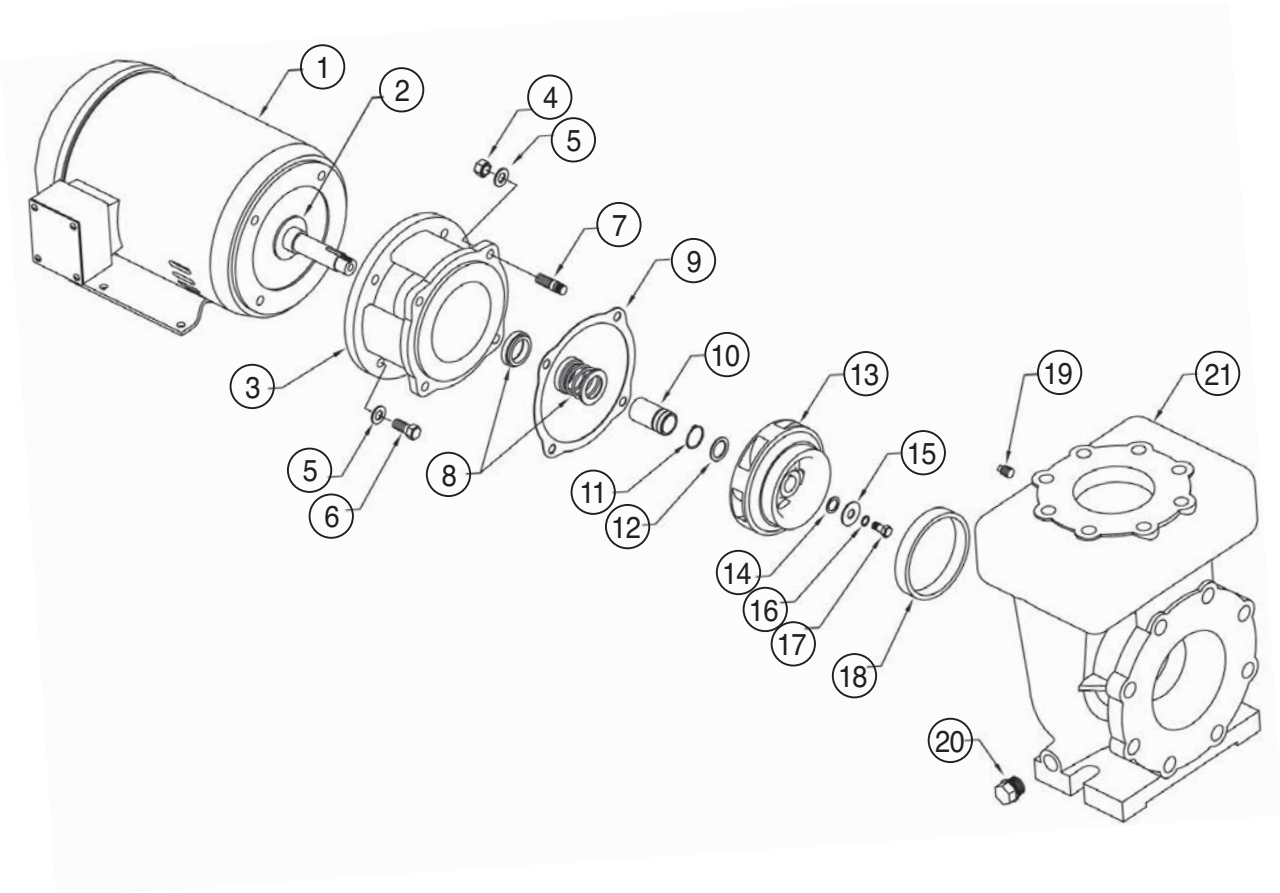
Part Number	Product Description	Diagram No.
6340402203	Motor 7.5KW 3PH Baker Hydro EUR1 IE3	1
6340402102	Motor 5.5KW 3PH Baker Hydro EUR1 IE2	1
63450660	Shaft Key $\frac{3}{16}$ " X $\frac{3}{16}$ " SS	2
6340742	Motor Support Spacer	3
6340920	Bolt M12X25 Hex HD SS304	4
6345035	Spring Washer $\frac{3}{8}$ " S/Steel	5
6302181	M10 Washer SS	6
634600	Motor Adaptor Plate	7
6340650	Dowel Pin 5/16" X 54mm SS316	8
W12769	Spring Washer $\frac{1}{2}$ " S/Steel	9
6340936	Plain Washer	10
W12768	Bolt $\frac{3}{8}$ " UNC x 1 S/Steel	11
634601	Pump Seal Plate w/Inserts	12
63401629	Mech Seal Type 2100 1" DIA	13
63401624	Marine Grade Mechanical Seal 1" DIA	13
634610	Impeller 10HP w/Insert	14
634611	Impeller 7.5 HP w/Insert	14
634651	Screw S/Head $\frac{3}{8}$ "-UNCX1"SS304	15
634605	O'Ring 286 ID X 9.5MM	16
634602	Diffuser w/Brass Ring	17
634652	Bolt Hex HD $\frac{1}{4}$ "-UNC X 1 $\frac{3}{4}$ "SS304	18
645461	Salty/SS $\frac{1}{4}$ " Spring Washer	19
6340030	Washer	20
634606	O'Ring BS354	21
634604	Pump Housing H/Star + 10HP 4" JIS Flange	22
63409380	Bolt Hex $\frac{5}{8}$ "-UNC X 8" SS304	23
63409370	Washer $\frac{5}{8}$ " X 1 $\frac{1}{4}$ " X 14G SS304	24
63409390	Nut Hex STD $\frac{5}{8}$ "-UNC Brass	25
63402302	Drain Plug $\frac{1}{4}$ " BSP	26
620193	O'Ring BS112 Air R Vlv/Drain	27
63453064	Flange Gasket 6" Bore	28
63450580	PP Strainer Housing 6" FL Port B/Hydro	29
63450520	Strainer Basket Polypropylene Mk2	30
62027	O'Ring Opal Lid	31
63450500	Strainer Lid PC Clear	32
620232	Filter Lock Ring 12"	33
AXFI168	Opal Cartridge Handle (AXFI168)	34
6202321	Handle 12" & 16" Lockring	35
63409370	Washer $\frac{5}{8}$ " X 1 $\frac{1}{4}$ " X 14G SS304	36



Cast Iron Pump

Part Number	Product Description	Diagram No.
6340402003	Motor 4.0kW MEPS2 IE3	1
6340402103	Motor 5.5kW MEPS2 IE3	1
6340402203	Motor 7.5kW MEPS2 IE3	1
6340402303	Motor 11.0kW MEPS2 IE3	1
631786	Motor Slinger (4.0, 5.5, 7.5)	2
631787	Motor Slinger (11kW)	2
6345039	Pump Bracket 4.0kW	3
6345040	Pump Bracket 5.5-7.5kW	3
6345041	Pump Bracket 11.0kW	3
6345036	Nut ½"UNC Hex SS	4
6345038	Spring Washer ½" SS	5
6345037	Bolt ½"UNCx1.25" SS	6
6345034	Stud ½"UNCx1.5"	7
6345032	Seal Assembly 1.250" (4.0, 5.5, 7.5kW)	8
6345033	Seal Assembly 1.750" (11.0kW)	8
6345025	Pump Body Gasket	9
6345028	Shaft Sleeve 1.25" OD (4.0, 5.5, 7.5kW)	10
6345029	Shaft Sleeve 1.75" OD (11.0kW)	10
6345030	External Circlip 1.187" SS (4.0, 5.5, 7.5kW)	11
6345031	External Circlip 1.75" SS (11.0kW)	11
6345026	Sleeve Gasket 1.25" (4.0, 5.5, 7.5kW)	12
6345027	Sleeve Gasket 1.75" (11.0kW)	12
63450210	Impeller 154.7mm - 4.0kW MEPS 2	13
63450220	Impeller 154.7mm - 5.5kW MEPS 2	13
6345023	Impeller 147mm - 7.5kW MEPS 2	13
6345024	Impeller 154.7mm - 11.0kW MEPS 2	13
6345017	Washer Gasket 1.19" (4.0, 5.5, 7.5kW)	14
6345018	Washer Gasket 1.625" (11.0kW)	14
6345019	Impeller Washer 1.1875" SS (4.0, 5.5, 7.5kW)	15
6345020	Impeller Washer 1.625" SS (11.0kW)	15
6345015	Washer - Stat-O-Seal SS ⅜" (4.0, 5.5, 7.5kW)	16
6345016	Washer - Stat-O-Seal SS ½" (11.0kW)	16
6345062	Bolt ⅜"UNCx1" SS (4.0, 5.5, 7.5kW)	17
6345063	Bolt ½"UNCx1" SS (11.0kW)	17
6345013	Bronze Wear Ring	18
6345011	Plug ¼"	19
6345012	Plug ½"	20
63450100	Pump Housing Assembly	21
6345010	Pump Housing - Cast Iron	21

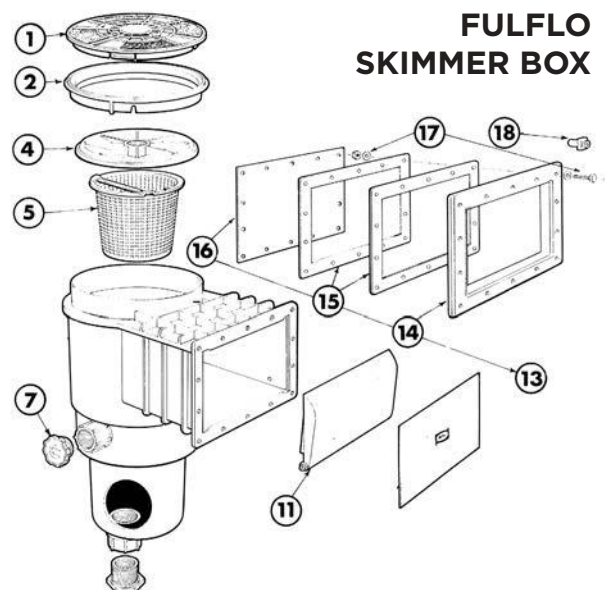
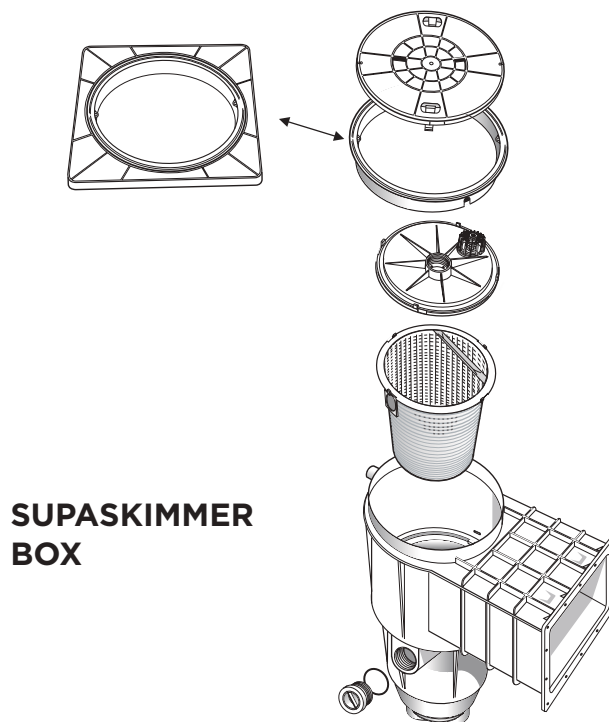
Cast Iron Pump



Waterco Supaskimmer / Fulflo

Part	Product Description	Diagram No.
62411S	Deck lid Sandstone colour	1
624171S	Deck lid MK2 (Suit T/lock type) Sandstone	1
6241119S	Commercial deck lid assembly T/lock Sandstone GFABS - See main pricelist	1+2
6241019S	Commercial dress ring T/lock Sandstone GFABS - See main pricelist	1+2
624105	Dress ring Sandstone colour - See main pricelist	2
624181S	Square dress ring T/lock Sandstone	2
624191S	Round dress ring T/lock Sandstone	2
624105	Dress Ring Extension - 60mm	
624024	Supa skimmer leaf basket	5
62408	Supa skimmer vacuum plate / Skimtrol Assy	4
62469	Vacuum plate o ring BS 272	
62407	Weir door assembly	11
62412	Weir door clip	
62404	Plug 1/2"	7
29260	Escutcheon Assembly Kit	13
292631	Face plate standard	14
829111	Gasket set (2)	15
62444	Stainless steel screw each	17
62439	Escutcheon Clip	18
62426	Widemouth Escutcheon Kit	
62438	Nutserts (Each)	
W22579	Skimmer deck lid latch s/stone post Oct 2012	
W22580	Skimmer deck lid slider s/stone post Oct 2012	
SKIMTROL - CONTROL VACUUM PLATE		
W02266	Valve Spring	
32731	Valve Stem	
32732	Valve Strainer	

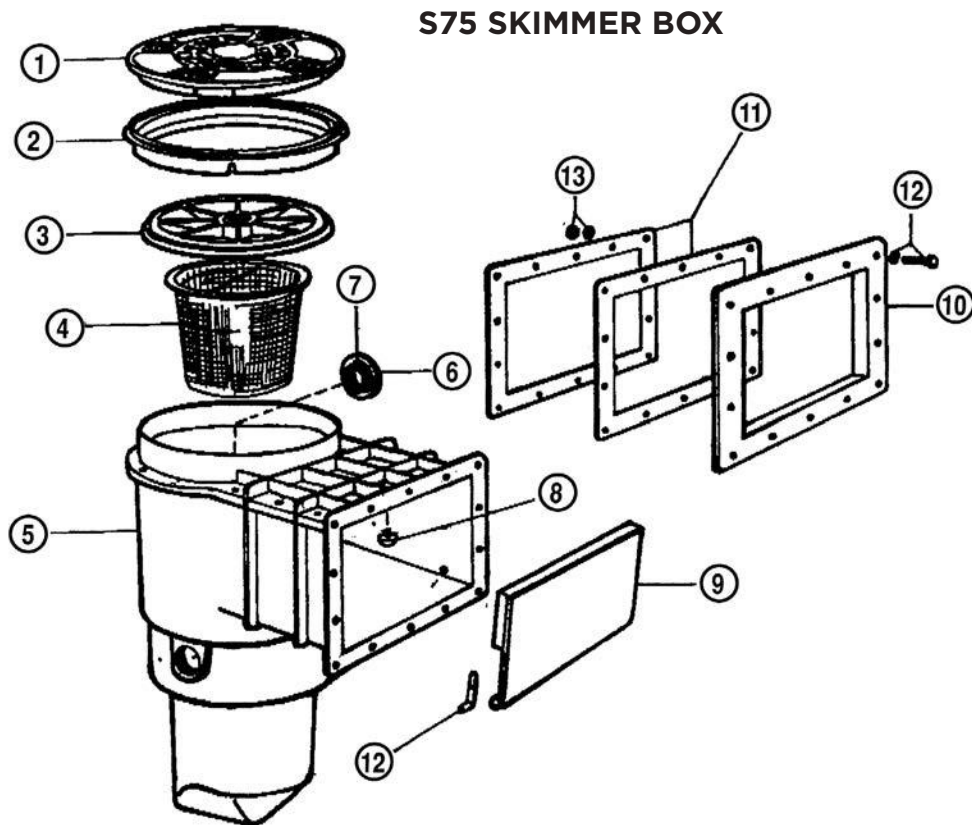
Post Oct 2012 additional interlocking mechanism is added



Waterco S75

Part Number	Product Description	Diagram No.
62411S	Deck lid Sandstone colour	1
624119S	Commercial deck lid assembly T/lock Sandstone GFABS	1
624171S	Deck Lid MK2 (Suit Twist Lock Type) Sandstone	1
624181S	Supaskimmer, S75 T/lock Square ring - Sandstone colour	2
6241019S	Commercial dress ring T/lock Sandstone GFABS	2
62410S	Dress ring Sandstone colour	2
624191S	Round Dress Ring Twist Lock - Sandstone	2
624105	Dress Ring Extension - 60mm	n/s
32717	Vacuum plate / Skimtrol Assy	3
62403	Leaf basket	4
624032	Leaf basket lock down type	4
62404	1 1/2" Plug	6
29260	Escutcheon Assembly Kit	n/s
292631	Skimmer face plate	10
829111	Gasket set (2)	11
62444	Stainless steel screws (14) Each	12
29264	Template	13
62439	Escutcheon CL11	n/s
62416	Weir door stop	8
62407	Weir door assembly	9
62412	Weir door clip	12
624005	Skimmer S75 Body	5
62469	Vacuum plate o ring BS 272	n/s
62421	Skimmer lintel	n/s
W22579	Skimmer deck lid latch s/stone post Oct 2012	n/s
W22580	Skimmer deck lid slider s/stone post Oct 2012	n/s

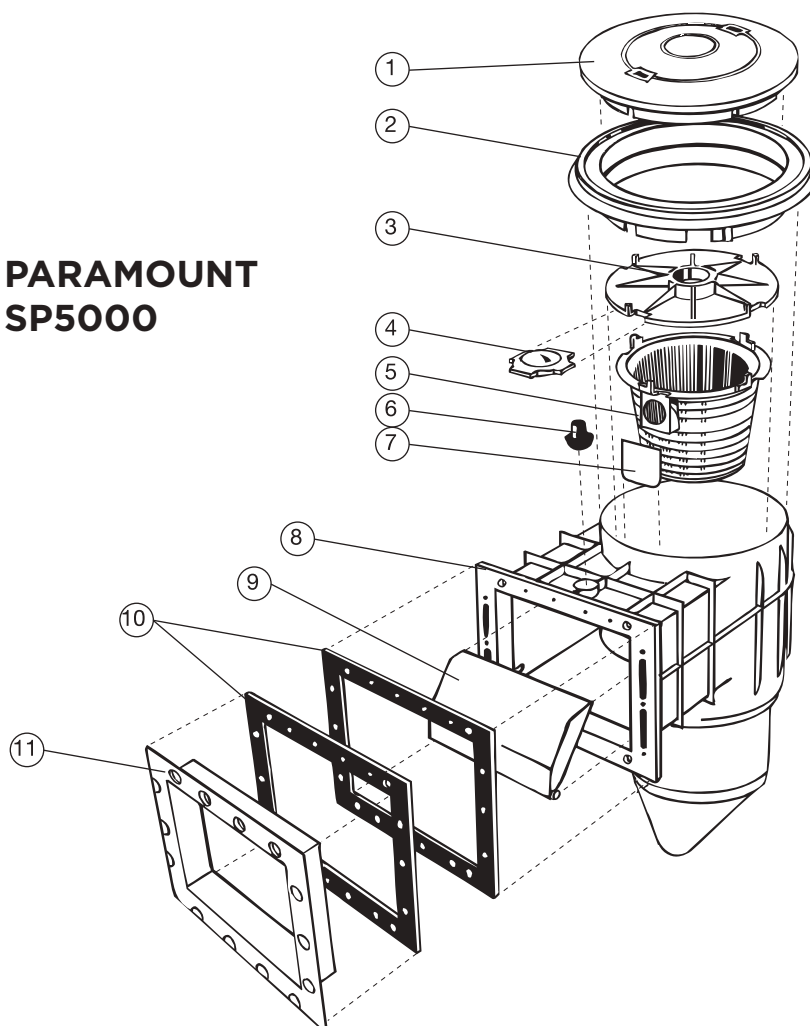
** 29263 & 29267 replaced by 292631 & 62439



Waterco SP5000

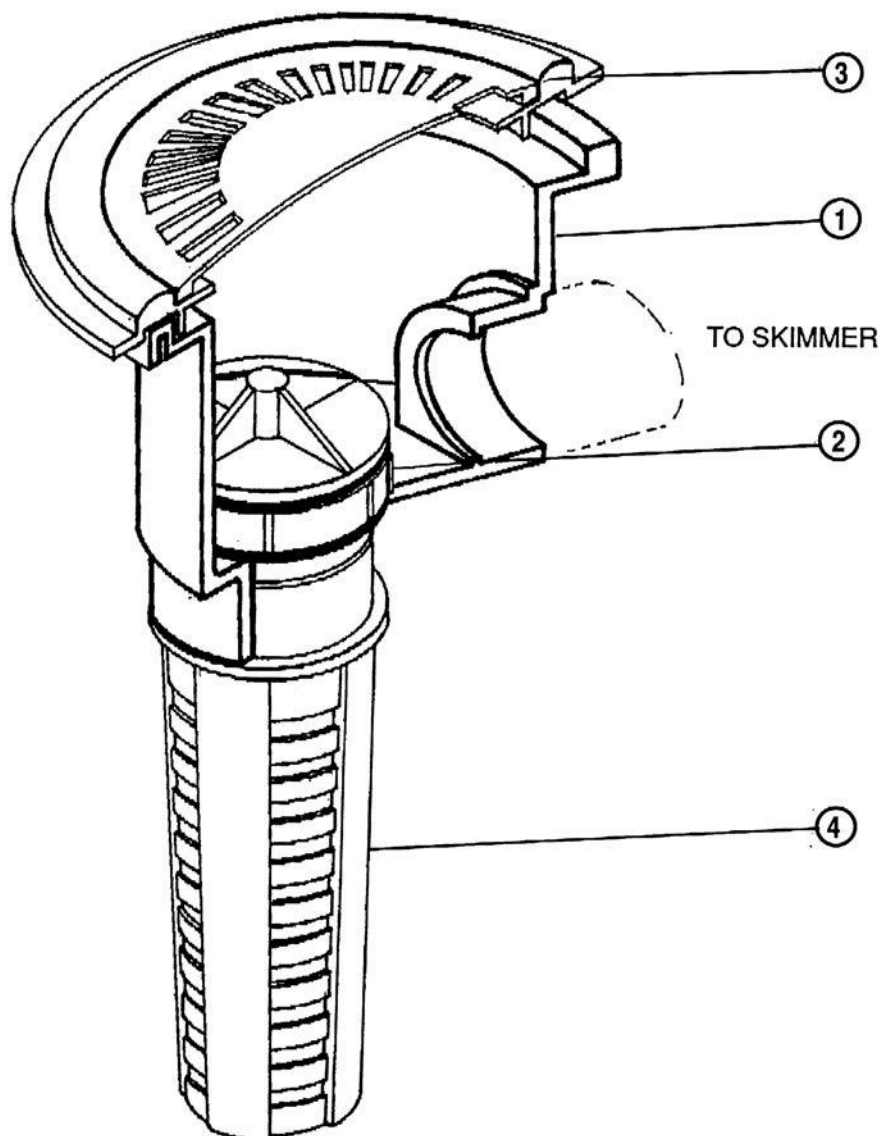
Part Number	Product Description	Diagram No.
AXSM009	Deck lid - Beige	1
AXSM009S	Deck lid - Sandstone	1
AXSM075	Deck lid - Sandstone T/Lock (suit lock down type)	n/s
AXSM012	Dress ring - Beige	2
AXSM012S	Dress ring - Sandstone	2
AXSM073	Round dress ring - Sandstone T/lock (suit lock down type)	n/s
AXSM074	Square dress ring - Sandstone T/lock (suit lock down type)	n/s
AXSM025	Vacuum plate (pre July 2011)	3
32715	Vac Plate W Skimtrol (post July 2011)	n/s
AXSM004	Skimmer body flow adjuster	4
AXSM014	Skimmer basket	5
AXSM006	Rubber buffer (pre Oct 2011)	6
AXSM0061	Rubber buffer MK2 (post Oct 2011)	n/s
AXSM003	Adjustment slide skimmer body	7
AXSM002	Skimmer body	8
AXSM020	Skimmer weir door (pre Oct 2011)	9
624077	Weir Door Assy MK2	n/s
AXSM038	Escutcheon gasket	10
AXSM033	Escutcheon plate	11
AXSM028	Escutcheon kit assembly	n/s
AXSM036	Escutcheon stainless steel screws	n/s
AXSM042	Rubber plug for main drain & vac plate	n/s
AXSM040	Extension throat body	n/s
AC703	Cap for port	n/s
AXSM0390	Escutcheon Clip	n/s

PARAMOUNT SP5000



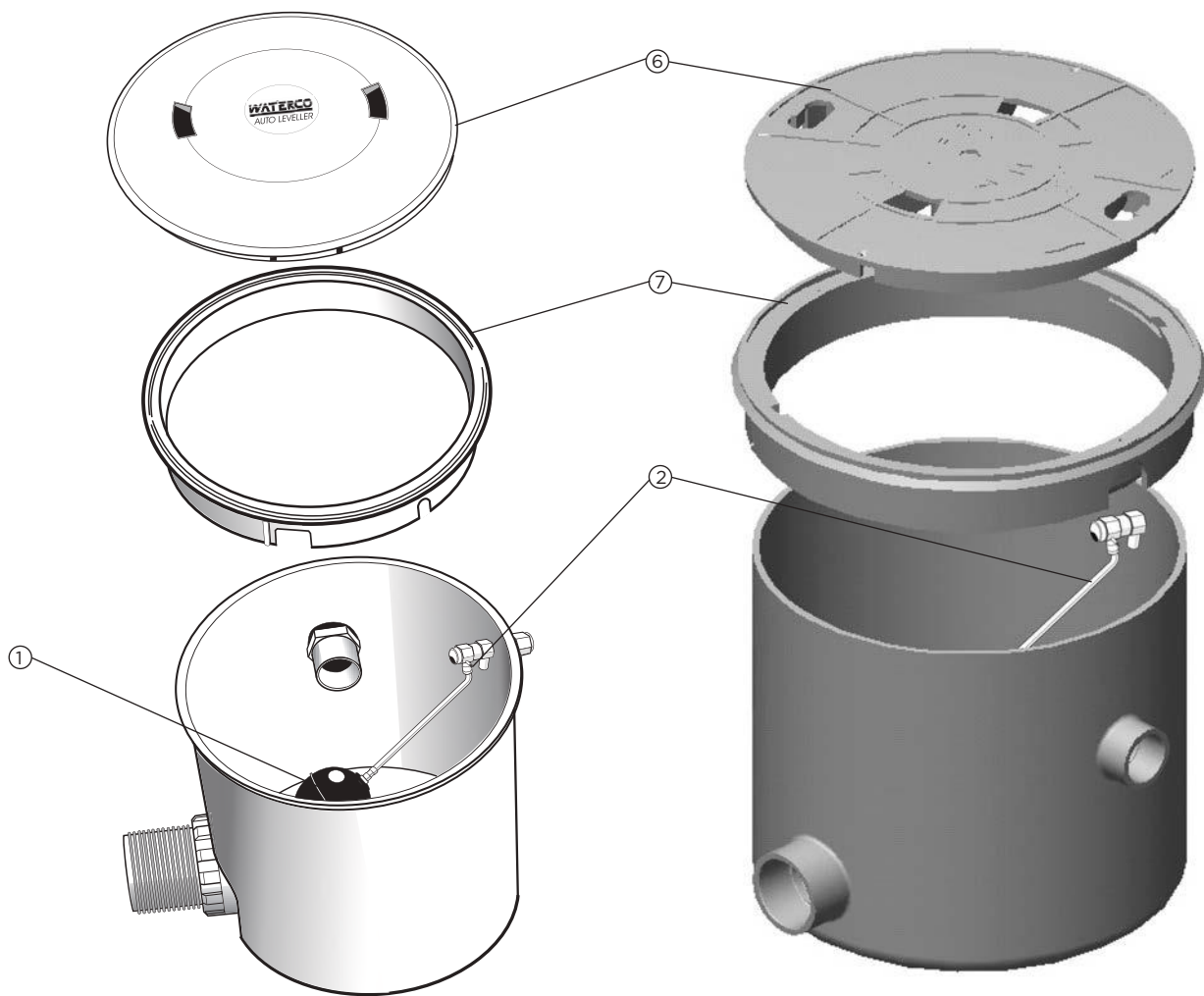
Waterco Main Drain

Part Number	Product Description	Diagram No.
29301	Main drain body	1
29302	Hydrostatic valve	2
29303	Cover & dress ring (white)	3
29304	Main drain stem	4
29306	Screw & plug set (white)	n/s



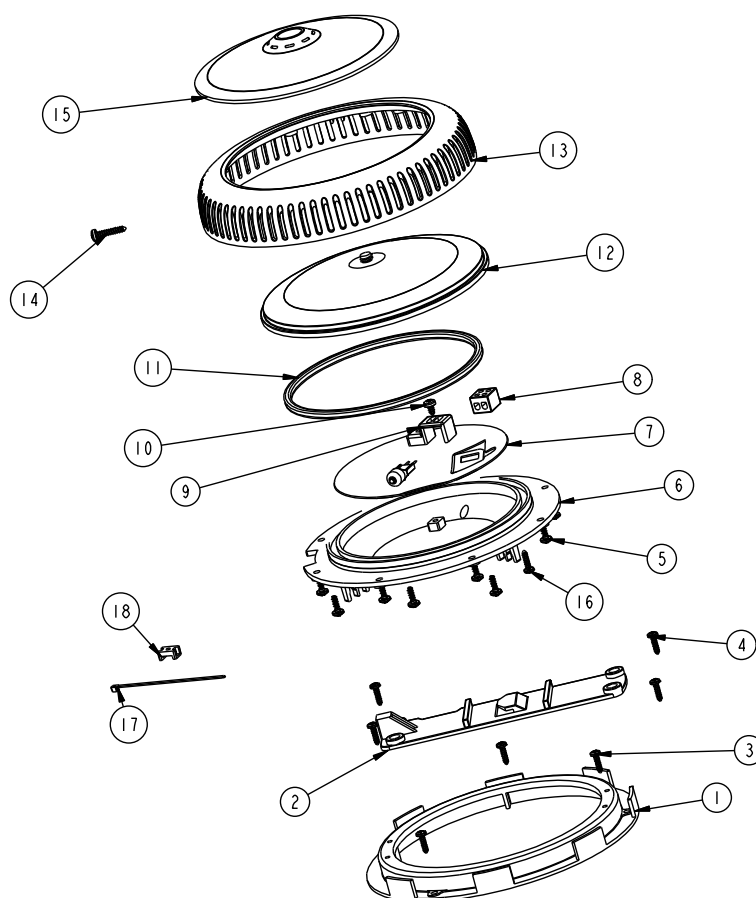
Auto Poolwater Leveller

Part Number	Product Description	Diagram No.
62270	Plastic float	1
62271	3/8" float valve brass	2
62272	3/8" x 1/2" brass bush	n/s
62273	1/2" kinco nut	n/s
62274	1/2" olive plastic	n/s
AXSM009	Lid - Beige (Suit MK1 Leveller)	6
AXSM009S	Lid - Sandstone (Suit MK1 Leveller)	6
624171S	Deck Lid MK2 (Suit T/Lock Type) Sandstone	6
AXSM012	Dress ring (Suit MK1 Leveller)	7
AXSM012S	Dress ring - Sandstone (suit MK1 Leveller)	7
624191S	Round Dress Ring T/Lock - Sandstone	7



Litestream Underwater Pool Light

Part Number	Product Description	Diagram No.
65001	Light wall ring	1
65002	Light bracket	2
65012	Screw 8G x 13mm (each - 3 required)	3
65012	Screw 8G x 13mm (each - 4 required)	4
65012	Screw 8G x 13mm (each - 1 required)	5
65004	Reflector Plate	7
65006	Ceramic Terminal Block	8
65007	Connector Block	9
65013	S/S screw (connector block) 10g x 3/8 inch (each)	10
65008	Light gasket	11
65009	Lens - clear diffuser c/w rubber plug	12
650102	Rim Pool Light MK3	13
65014	Light S/S screw outer rim 10G x 5/8	14
26603	Lens cover - blue	15
26605	Lens cover - red	15
26606	Lens cover - green	15
650120	Screw 8G x 13mm (8 required)	16
64603	Cable Tie	17
646032	Cable Tie Clamp	18
650051	Light globe 12V 100W	n/s
650105	Adaptor Pool lights	n/s
263080	UWL Replacement Kit - consists of:	2, 4-14, 16-18
	13030 - Hose Clamp 6 - 12mm (2 required)	n/s
	SB113402 - Tube PVC 8mm	n/s
	861812 - Sleeve - 20mm long (2 required)	n/s
65016	U/W light w/o lead and globe	
26500	Transformer 22volt	n/s
26505	Transformer 12volt	n/s
26503	Transformer 12volt plug in	n/s
26601	Vinyl/fiberglass conversion kit	n/s

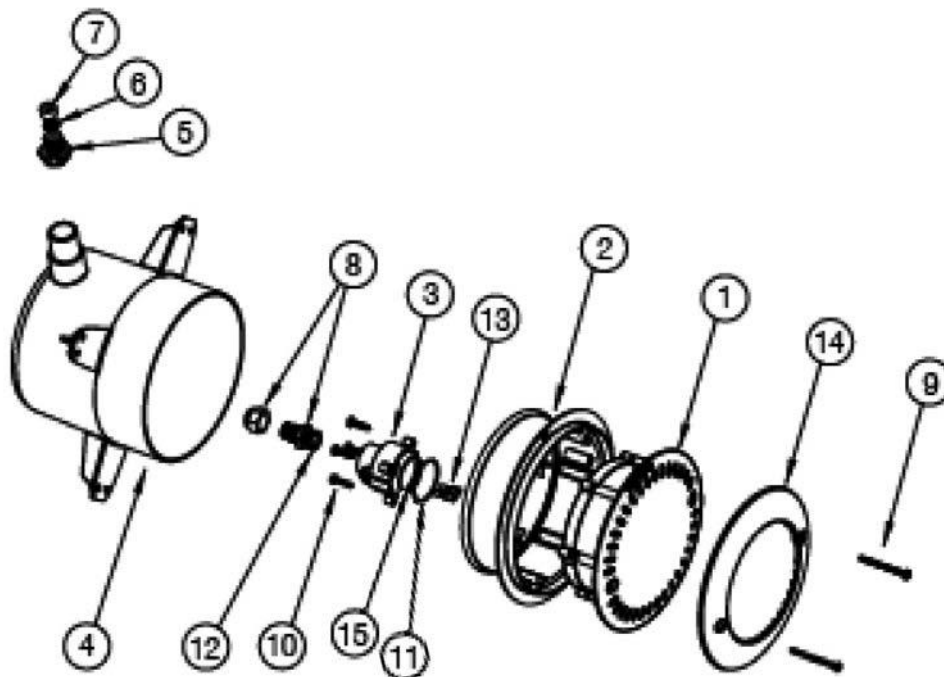


Britestream LED Light

Part Number	Product Description
650032	L/S Back Plate White (MK2 Model)
65001	Litestream Wall Ring (MK2 / MK3 / MK4 / MK5 Model)
65002	Litestream Light Bracket (MK2 / MK3 / MK4 / MK5 Model)
650096	Lens Dress Ring 11mm (MK2 Model)
65012	S/S Screw 8g X 5/8 (MK2 / MK3 / MK4 / MK5 Model)
650091	Rear lens cover (MK2 Model)

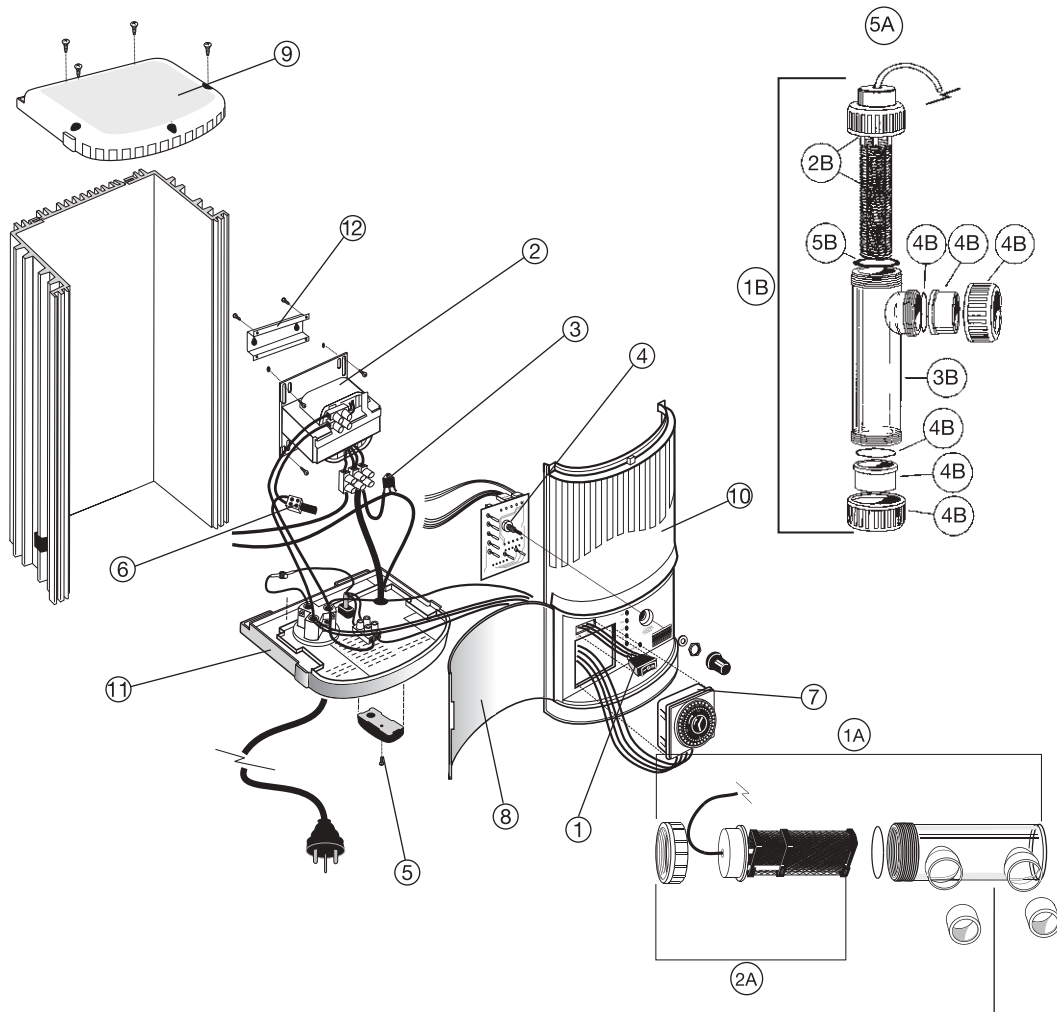
Britestream LED Niche Light

Part Number	Product Description	Diagram No.
6501107	Gland Mount	3
6501108	Gland Mount (for 12mm cable)	3
264421	Niche assembly	4
650152	Cable Gland	8
6501124	Cable Gland (for 12mm cable)	8
6501122	Screw x 2	9
6501121	Screw x 4 (Model produced before 31-3-2015)	10
W22957	Screw Thross Head x 4 (Model produced before 31-3-2015)	10
6501117	O ring BS 025	11
650153	O ring Metric 15 x 1.5	12
6501125	O ring BS 019	12
W22953	O ring BS 123	12
S13879	Terminal Female x 2	13
6501130	Dress Ring	14



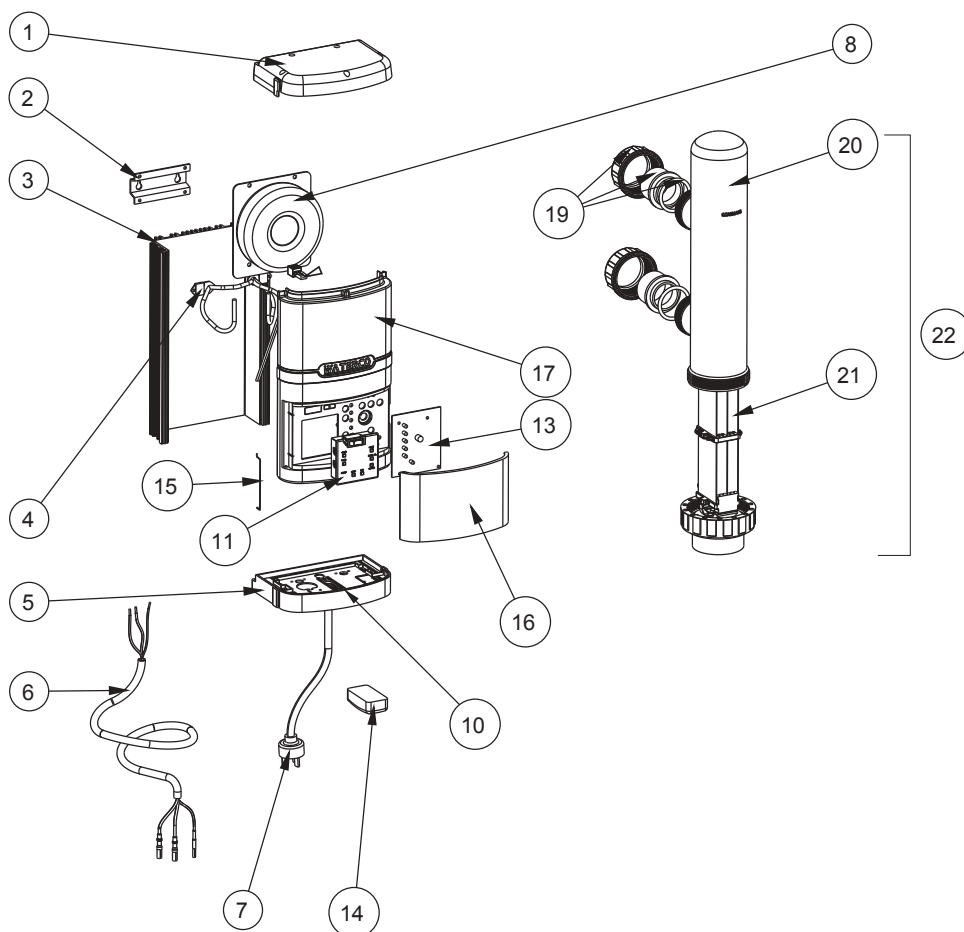
Electrochlor 20A, 30A, 20 ASC, 30A SC

Part Number	Product Description	Diagram No.
644084	Manual/OFF/Auto switch	1
641162	Transformer 20A	2
641160	Transformer 30A	2
W24570	SCR assembly 20A SC & 30A SC	3
W32569	SCR assembly 20A & 30A	3
645083	PC board 20A & 30A	4
645075	PC board 20A SC & 30A SC	4
64128	Junction Box (suits all)	5
641326	Fuse - slow blow 4A 5 x 20mm	6
644072	Timer only Electrochlor	7
644025	Electrochlor Clear Perspex Front Cover	8
644023	Top	9
644022	Front	10
644024	Base	11
6440713	Mounting Bracket	12
645003	Electrochlor Power Pack (20A)	
645002	Electrochlor Power Pack (30A)	
645004	Electrochlor Power Pack (20A SC)	
645001	Electrochlor Power Pack (30A SC)	
644958	Electrochlor cell assembly complete with housing (20A SC)	1A
644959	Electrochlor cell assembly complete with housing (30A SC)	1A
64428612	Electrochlor Electrode & Head Assembly (20A SC)	2A
64428512	Electrochlor Electrode & Head Assembly (30A SC)	2A
644954	Electrochlor Cell Assembly Complete with Housing (20A)	1B
644953	Electrochlor Cell Assembly Complete with Housing (30A)	1B
64428511	Cell electrode assembly 30A	2B
64428611	Cell electrode assembly 20A	2B
644331	Cell body (suits 20A & 30A) Electrochlor	3B



Hydrochlor

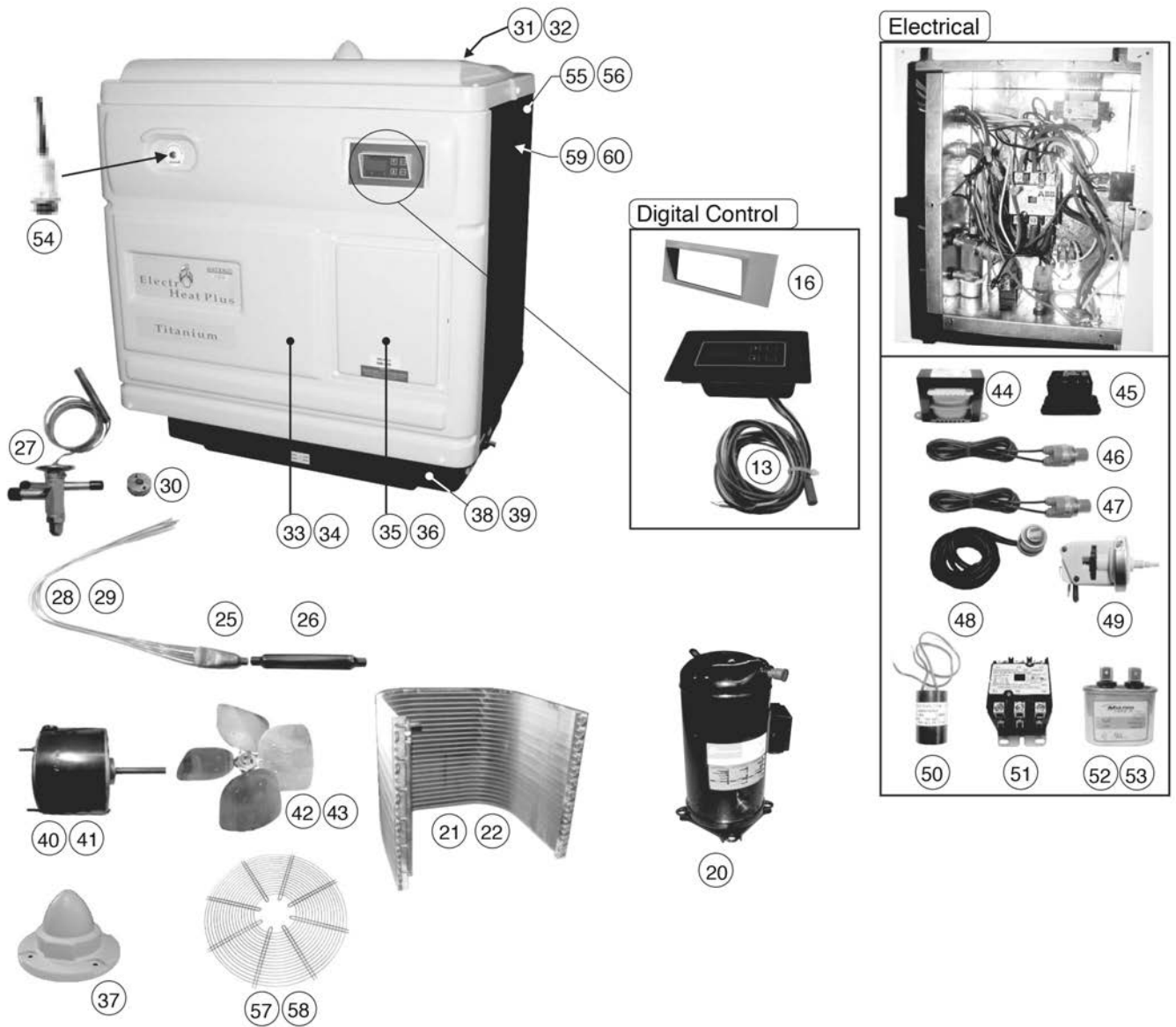
Part Number	Product Description	Diagram No.
6440232	Hydrochlor P/PAK Top	1
6440713	Mounting Bracket	2
6440710	Heatsink Power Pack	3
W24570	SCR Assembly 20A SC - 30A SC	4
644024	Chlorinator P/P Bottom Housing	5
64134	Mains Lead 10A 240V	7
644915	Cell Lead Assembly	6
641162	Toroidal Transformer 250VA 240V/8.5V	8
641160	Toroidal Transformer 400VA 240V/8V	8
641326	Fuse Slow Blow 4A 5 x 20mm	10
6440813	24 Hour Timer Hydrochlor	11
6450756	PC Board SC Hydrochlor	13
64128	Junction Box (suits all)	14
6440250	Spring Housing Window Top	15
6440251	Spring Housing Window Bottom	15
644025	Chlorinator P/P Housing Window	16
6440222	Hydrochlor P/Pk Front	17
634024BLK	Half Union Black 50mm c/w O'Ring	19
644509	Cell Housing 20A, 25A & 30A	20
64428614	Cell Plates Ass'y Hydrochlor 20A SC (nut not included)	21
64428615	Cell Plates Ass'y Hydrochlor 25A SC (nut not included)	21
64428616	Cell Plates Ass'y Hydrochlor 30A SC (nut not included)	21
6449620	Cell & Housing Ass'y Hydrochlor 20A SC	22
6449625	Cell & Housing Ass'y Hydrochlor 25A SC	22
6449630	Cell & Housing Ass'y Hydrochlor 30A SC	22
6450020	Hydrochlor 20A SC Power Pack	23
6450026	Hydrochlor 25A SC Power Pack	23
6450030	Hydrochlor 30A SC Power Pack	23
6450821	Current Sensing Harness	
641360	Fuse Holder 20x5mm	



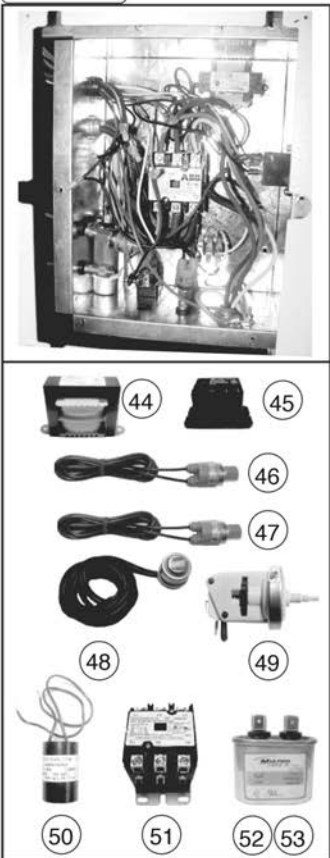
Electroheat Plus MKI Models 85,105,125 150 Single and Three Phase

Part Number	Product Description	Diagram No.
20-1300	Liquid Tight Connector 3/4" - 2 required	5
20-1306	Nipple 1/8" Barb - 3 required	8
20-1319	Thermostat Well 67.5 mm	9
20-1320	Thermostat Well O Ring	
80-1504	Canister O'Ring 7 1/4"	11
80-1410	Canister Clamp	10
20-1303	Clear Plastic Hose 1/8"ID x 1/4"OD (Pressure Switch) - 41" length	7
20-1312	Plastic Cap 3/4" NPT - 2 required	14
05-1505	Digital Control Assembly	13
10-1008SA	Compressor 1 phase (85 model)	20
10-1012	Compressor Plus 105	20
10-1038	Compressor 3 phase (105 model)	20
10-1014SA	Compressor 3 phase (125 & 150 models)	20
10-1223	Heat Exchanger 24" Assembly complete Titanium (85)	A/B
05-1350	Heat Exchanger 28" Assembly complete Titanium (105, 125 & 150)	A/B
10-1302	Refrigerant Distributor 3/8" - 6 tubes	25
10-1345	Filter/Dryer	26
10-1365	Expansion Valve (150 model)	27
05-1317	Capillary - 132" (85 model)	28
05-1319	Capillary - 240" (105 model)	28
05-1320	Capillary - 180" (125 model)	29
10-1355	Orifice G6 (150 model)	30
20-1500	Fan Motor Protective Cone	37
30-1006	Fan Motor 1/6 hp 900/1075 rpm (85)	40
30-1004	Fan Motor 1/4 hp 900 rmp (105, 125 & 150)	41
30-1106	Fan Blade Plastic 20" (85 model) (30-1106P)	42
30-1107	Fan Blade 22" (105, 125, and 150 models)	43
40-0001	Transformer 240/24-12V	44
40-0002	24V Fan Relay	45
40-1002	High Pressure Switch 250-425PSI	46
40-1003	Low Pressure Switch 25-50PSI	47
40-1005	Defrost Control	48
40-1006	Water Pressure Switch	49
80-1512	Retaining Ring Pressure Switch	N/S
40-1016	24V Time Delay - 3min	50
50-1009	Contactactor 40A/24V 3 Poles	51
50-1103	Fan Run Capacitor (85 model)	52
50-1205	Green Light - 250V - 28" wires	54
60-1103	Fan Grill (85 model)	57
60-1104	Fan Grill (105, 125, and 150 models)	58

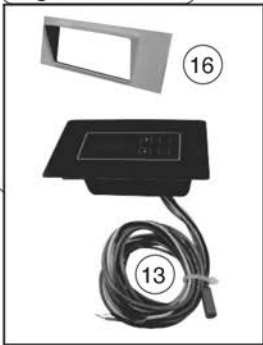
Electroheat Plus MKI Models 85,105,125 150 Single and Three Phase



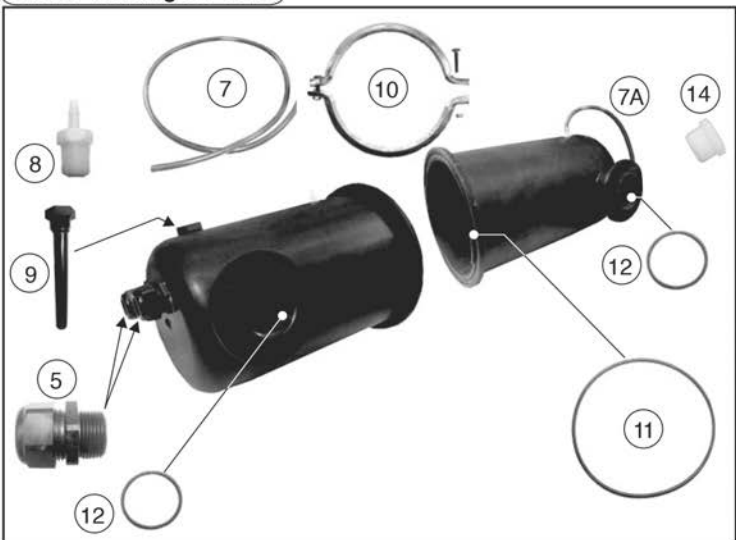
Electrical



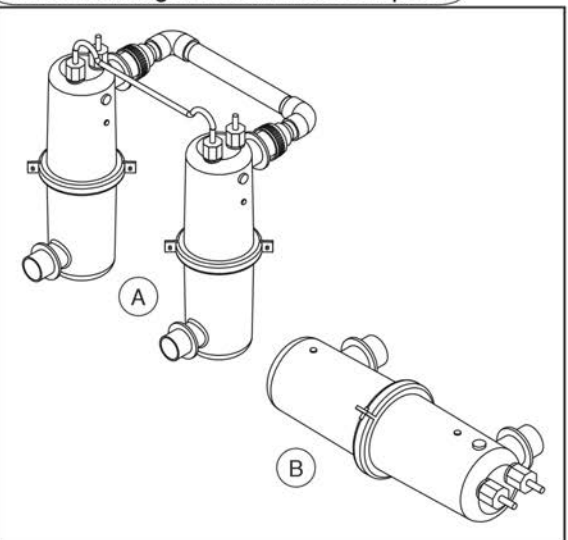
Digital Control



Heat Exchanger Parts



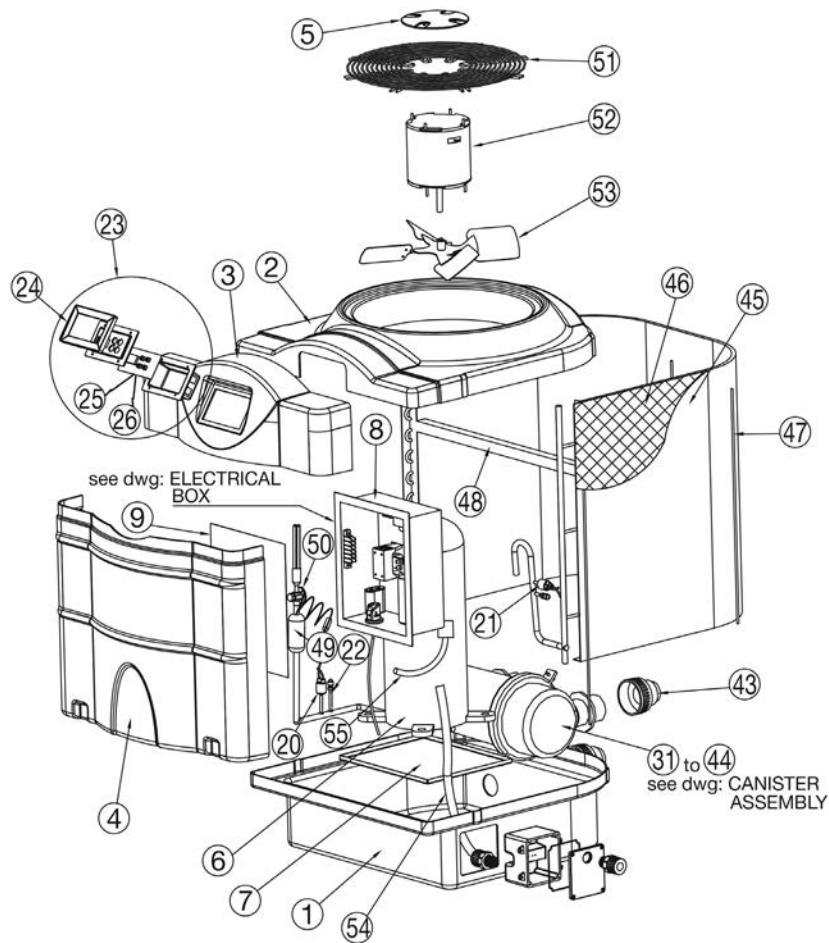
Heat Exchanger Assemblies Complete



Electroheat Plus MKII Models 85,105,125 150 Three Phase

Part Number	Product Description	Diagram No.
20-1524	Cabinet Ventilation Cap	5
10-1038	Compressor Scroll 5hp R407C (85)	6
10-1014	Compressor Scroll 6hp R407C (105)	6
10-1040	Compressor Scroll 7hp R407C (125)	
10-1047	Compressor Scroll 58hp R407C (150)	6
ELECTRICAL BOX		
50-1103	5mf - 370 VAC	10
40-1006	Water Pressure Switch	11
80-1512	Retaining Ring Pressure Switch	11
50-1009	Contactors	12
40-0001	Transformer	13
40-0002	Fan Relay 24V	14
40-1017	Phase Monitor	15
20-1303	Clear Rubber Hose - 1m Length	16
SWITCH		
40-1002FV	425 - 325 PSI Flare R407C	20
40-1003V	25 - 50 PSI Flare R407C	21
10-1319	Access Valve Schrader	22
CONTROLLER		
40-2000	EH Control Assy - All Models (40-1032)	23
20-1527	Escutcheon White	24
40-1030	Defrost Sensor Probe - Yellow	25
40-1031	Water Temperature Sensor Probe - Black	26
HEAT EXCHANGER		
10-1236M	56' Large Align W/Dcoil 19/23kW	34
10-1225	16' Small Opposite - In (Right) (105)	35
10-1226	16' Small Opposite - Out (Left) (105)	36
10-1227	20' Small Opposite - In (Right) (125)	37
10-1228	20' Small Opposite - Out (Left) (125)	38
10-1231	24' Large Opposite - In (Right) (150)	39
10-1232	24' Large Opposite - Out (Left) (150)	40
122243B	40mm Half Union c/w O Ring Black	43
05-1359	Connecting Tube	44
FILTER DRYER		
10-1345	1/2" X 1 5/8" OD (85) (30-1106P)	49
10-1339	1/2" ODF 5 Tons (105, 125 & 150)	49
EXPANSION VALVE		
10-1359	Expansion Valve 4 Tons R407C	50
10-1372	Expansion Valve 5 Tons R407C (85)	50
10-1365	Expansion Valve 6 Tons R407C (105)	50
FAN GUARD		
60-1103	Round Medium (85)	51
60-1104	Round Large (105, 125 & 150)	51
FAN MOTOR		
30-1006	1/6 hp 900/1075 RPM (85)	52
30-1004	1/4 hp 900 RPM (105, 125 & 150)	52
FAN BLADES		
30-1106	Fan Blades 20" (85) (30-1106P)	55
30-1107	Fan Blades 22" (105, 125 & 150)	55
CANISTER		
20-1359	Plastic Clamp Band (one piece)	64
80-1504	Rubber O Ring	65
20-1300	Cable Gland 3/4 NPT	66
20-1306	Hose Nipple	67
20-1357	Hose Nipple O Ring	67
20-1319	Thermostat Well 67.5 mm	68
20-1320	Thermostat Well O Ring	
50-1205	Light Indicator (85)	N/S

Electroheat Plus MKII Models 85,105,125 150 Three Phase

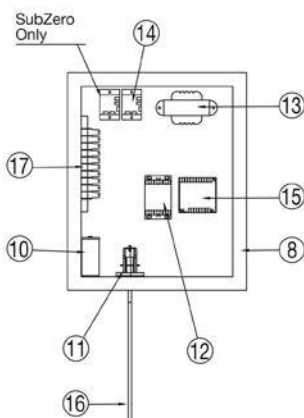


Electrical Box

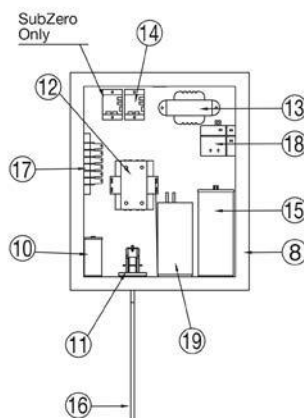
(all models)

Canister Assembly

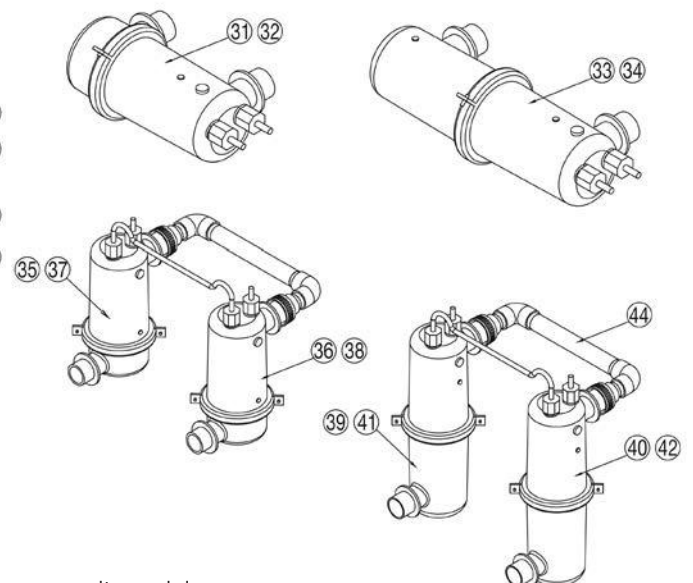
(all models)



3 ph



1 ph

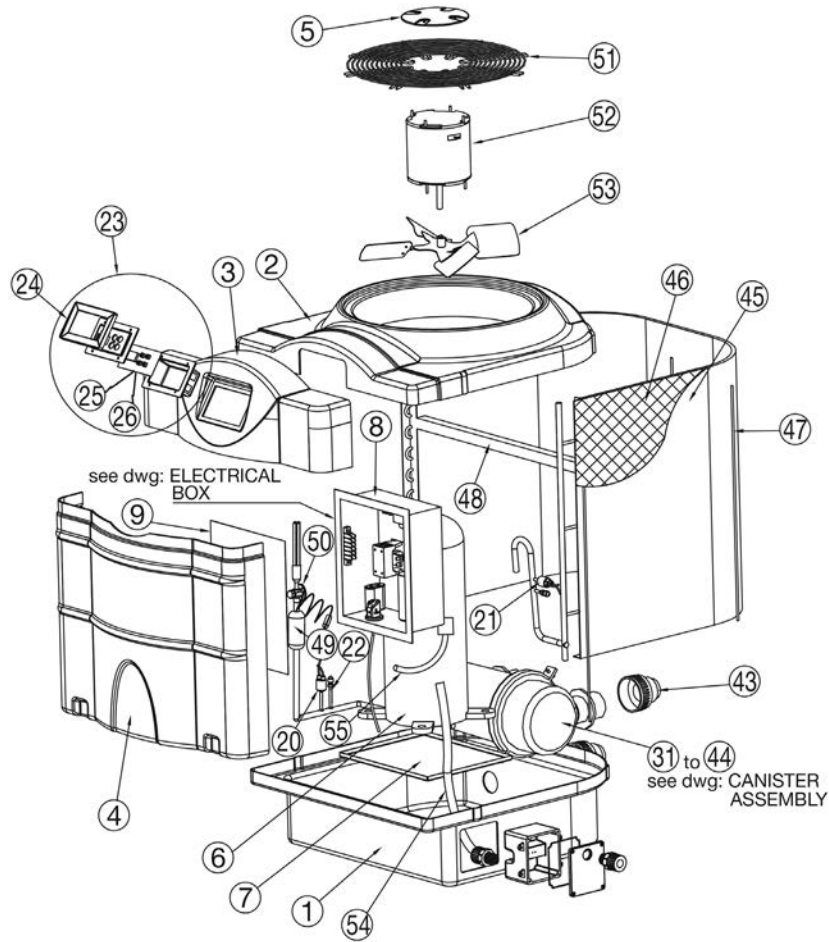


The images are for illustration only and may differ slightly to your unit model.

Electroheat Plus MKIII Models 25kW, 31kW, 37kW & 44kW Three Phase

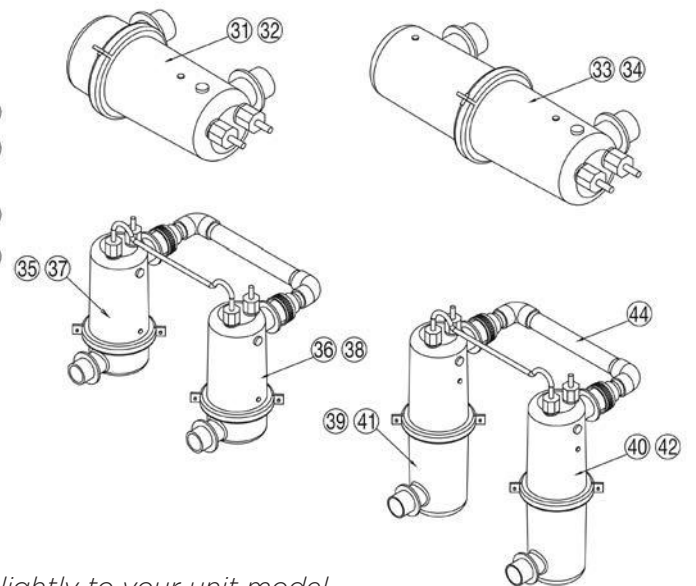
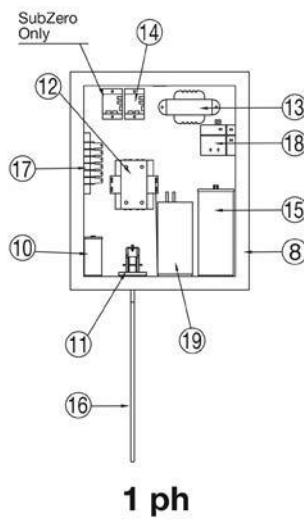
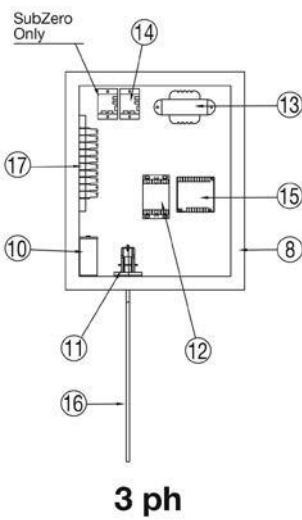
Part Number	Product Description	Diagram No.
20-1524	Cabinet Ventilation Cap	5
10-1065	Compressor Scroll 6hp R410A (25KW)	6
10-1070	Compressor Scroll 7hp R410A (31KW)	6
10-1071SA	Compressor Scroll 8hp R410A (37KW)	6
10-1072SA	Compressor Scroll 10hp R410A (44KW)	6
ELECTRICAL BOX		
50-1103	Capacitor 5MFD 370 VAC E/H80 - 150BTU	10
40-1006	Pressure switch	11
80-1512	Flat Washer	11
50-1009	Contactora (40A 24V 3-POLE)	12
40-0001	Transformer	13
40-0002	Relay 24V	14
40-1017	Phase Monitor	15
20-1303	Clear Rubber Hose	16
SWITCH		
40-1041	565 - 400 PSI Flare R410A	20
40-1033V	55 - 75 PSI Flare R410A	21
10-1311	Acces Vavle Schrader 5/16"	22
CONTROLLER		
40-2000	EH Control Assy - All Models (40-1032)	
20-1527	Escutcheon White	24
40-1030	Defrost Sensor Probe - Yellow	25
40-1031	Water Temperature Sensor Probe - Black	26
HEAT EXCHANGER		
10-1236M	56' Large Align W/Dcoil 19/23kW	34
10-1227	20' Small Opposite - In (Right) (31KW, 37KW)	37
10-1228	20' Small Opposite - Out (Left) (31KW, 37KW)	38
10-1233	28' Large Opposite - In (Right) (44KW)	41
10-1234	28' Large Opposite - Out (Left) (44KW)	42
122243B	40mm Half Union c/w O Ring Black	43
05-1359	Connecting Tube (31KW, 37KW & 44KW)	44
FILTER DRYER		
10-1345	1/2" X 1 5/8" OD (25KW)	49
10-1339	1/2" ODF 5 Tons (31KW, 37KW & 44KW)	49
EXPANSION VALVE		
10-1377	Expansion Valve 5 Tons R410A (25KW)	50
10-1378	Expansion Valve 6 Tons R410A (31KW)	50
10-1379	Expansion Valve 8 Tons R410A (37KW)	50
10-1380	Expansion Valve 9 Tons R410A (44KW)	50
FAN GUARD		
60-1103	Round Medium (25KW)	51
60-1104	Round Large (31KW, 37KW & 44KW)	51
FAN MOTOR		
30-1006	1/6 hp 900/1075 RPM (25KW)	52
30-1004	1/4 hp 900 RPM (31KW, 37KW & 44KW)	52
FAN BLADES		
30-1106	Fan Blades 20" (16, 25KW) (30-1106P)	55
30-1107	Fan Blades 22" (31KW, 37KW & 44KW)	55
CANISTER		
20-1359	Plastic Clamp Band (one piece)	64
80-1504	Rubber O Ring	65
20-1300	Cable Gland 3/4 NPT	66
20-1306	Hose Nipple	67
20-1357	Hose Nipple O Ring	67
20-1319	Thermostat Well 67.5 mm	68
20-1320	Thermostat Well O Ring	68
50-1205	Light Indicator	N/S

Electroheat Plus MKIII Models 25kW, 31kW, 37kW & 44kW Three Phase



Electrical Box (all models)

Canister Assembly (all models)



The images are for illustration only and may differ slightly to your unit model.

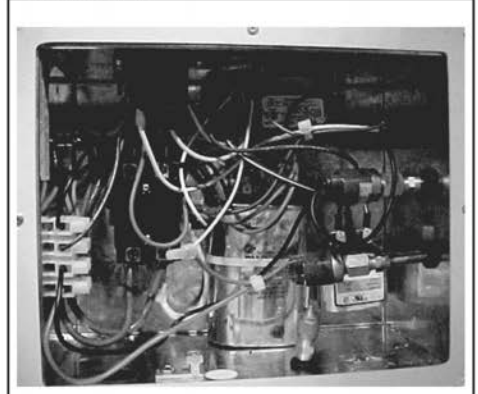
Electroheat Titanium MKI Model 55 & 80 Single Phase

Part Number	Product Description	Diagram No.
COMPRESSOR		
10-1009	Compressor 240V - 50Hz 1 phase	1
CONDENSATION		
05-1350	Heat Exchanger Assembly Complete EH80 28 Titanium	A/B
20-1300	Liquid Tight Connector $\frac{3}{4}$ " - 2 required	5
20-1303	Clear Plastic Hose $\frac{1}{2}$ "ID x $\frac{1}{4}$ "OD (Pressure Switch) - 30" length	7
20-1319	Thermostat Well 67.5 mm	9
20-1320	Thermostat Well O Ring	
80-1410	Canister Clamp	10
80-1504	Canister O'Ring $7\frac{1}{4}$ "	11
80-1505	Water Inlet and Outlet O'Ring - 2 required	12
20-1312	Plastic Cap $\frac{3}{4}$ " NPT - 2 required	14
VENTILATION		
30-1008	$\frac{1}{8}$ " hp - 900 rpm	21
50-1103	Fan Run Capacitor	34
30-1103	Fan Blade 16" (30-1103P)	22
60-1129	Fan Grill ElectroHeat 80	36
EVAPORATION & EXPANSION		
10-1410	Capillary Assembly	4
10-1409	Capillary Kit Sanyo EH80	4
10-1302	Refrigerant Distributor $\frac{3}{8}$ " - 6 tubes	NA
SAFETY SYSTEM		
40-1006	Water Pressure Switch	32
80-1512	Retaining Ring Pressure Switch	NA
20-1303	Tube PVC 30"	7
40-1002	High Pressure Switch 250-425PSI	23
40-1003	Low Pressure Switch 25-50PSI	24
40-1030	Defrost Sensor	31
20-1306	Nipple $\frac{1}{8}$ " Barb - 3 required	8
40-1005	Defrost Control	31
CONTROLLER		
05-1505	EH Control Assy - All Models	25
20-1526	Sun Shade Dig/Control	28
ELECTRIC BOX		
50-1008	Contactora 40A/24V/2 Poles	33
40-0001	Transformer 240/24-12V	29
40-0002	24V Fan Relay	30
40-1016	24V Time Delay - 3 min	NA

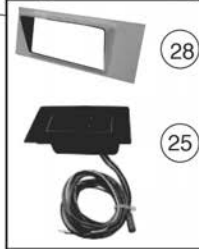
Electroheat Titanium MKI Model 55 & 80 Single Phase



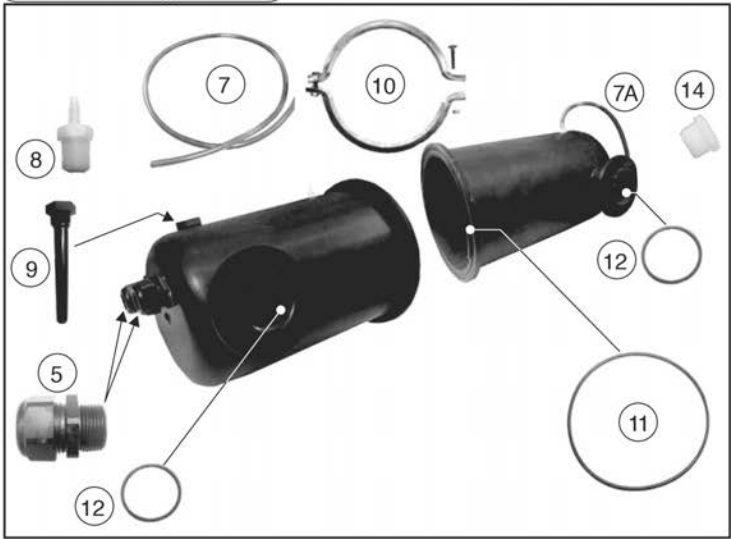
Electrical



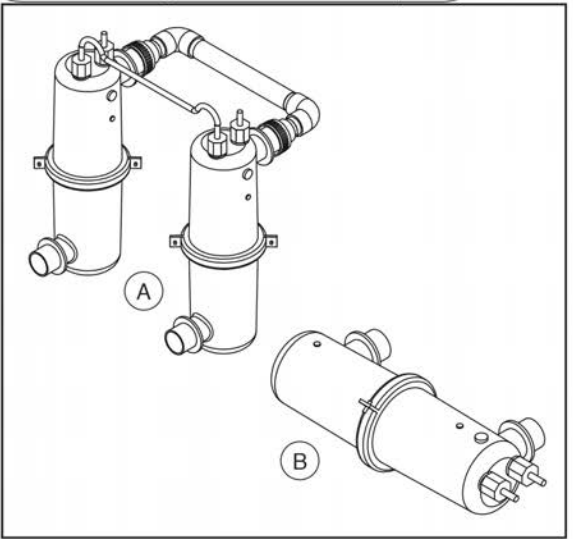
Digital Control



Heat Exchanger Parts



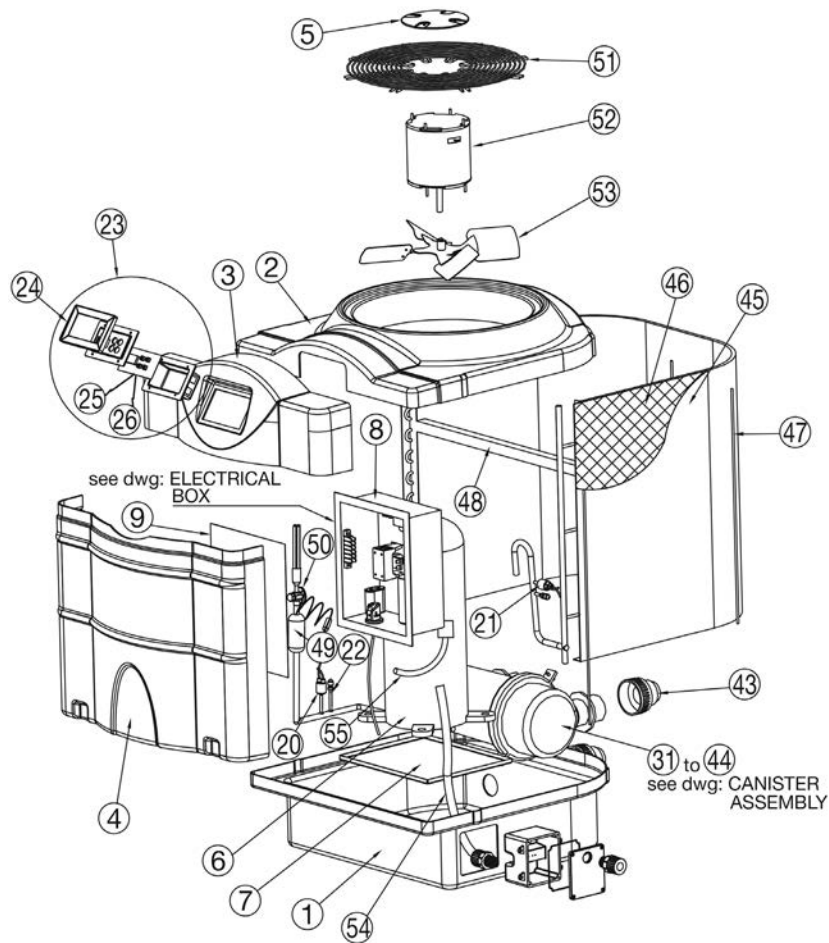
Heat Exchanger Assemblies Complete



Electroheat Titanium MKII Model 55 & 80 Single Phase

Part Number	Product Description	Diagram No.
20-1524	Cabinet Ventilation Cap	5
10-1008DS	Compressor Scroll 4hp R407C (55)	6
10-1012	Compressor Plus 105	6
ELECTRICAL BOX		
50-1103	5mf - 370 VAC	10
40-1006	Water Pressure Switch	11
80-1512	Retaining Ring Pressure Switch	11
50-1008	Contactora (40A 24V 2-POLE)	12
40-0001	Transformer	13
40-0002	Fan Relay 24V	14
50-1110	70 mf - 440 VAC	15
20-1303	Tube PVC 30"	16
50-1332	Terminal Block 6 Poles	17
50-1119	Start Assist (55, 80)	19
40-1025	Potential Relay (85)	18
50-1126	Start Capacitor (85)	19
SWITCH		
40-1002FV	425 - 325 PSI Flare R407C	20
40-1003V	25 - 50 PSI Flare R407C	21
10-1319	Access Valve Schrader	22
CONTROLLER		
40-2000	EH Control Assy - All Models (40-1032)	
20-1527	Escutcheon - White	24
40-1030	Defrost Sensor Probe - Yellow	25
40-1031	Water Temperature Sensor Probe - Black	26
HEAT EXCHANGER		
10-1230	20' Small Align (55)	32
10-1236M	56' Large Align W/Dcoil 19/23kW	34
122243B	40mm Half Union c/w O Ring Black	43
05-1359	Connecting Tube (55, 80)	44
FILTER DRYER		
10-1345	1/2" X 1 5/8" OD	49
CAPILLARIES & EXPANSION VALVE		
10-1425	Capillaries 6 X 34" TC 54 (55)	50
10-1409	Capillaries 6 X 22" TC 64 (80)	50
10-1372	Expansion Valve 5 Tons R407C (85)	50
FAN GUARD		
60-1128	Compact Small (55)	51
60-1129	Compact Large (80)	51
60-1103	Round Medium (85)	51
FAN MOTOR		
30-1008	1/8 hp 900 (55, 80)	52
30-1006	1/6 hp 900/1075 RPM (85)	52
FAN BLADES		
30-1110P	Fan Blades 14" (55)	53
30-1103P	Fan Blades 16" (80)	53
30-1106	Fan Blades 20" (85)	53
CANISTER		
05-1351	Inlet large (85)	56
20-1344	Stabilization Bar 9" (85) Required 1 each for both inlet & outlet	56
05-1353	Outlet Large (85)	57
20-1359	Plastic Clamp Band (one piece)	64
80-1504	Rubber O Ring	65
20-1300	Cable Gland 3/4 NPT	66
20-1306	Hose Nipple	67
20-1357	Hose Nipple O Ring	67
20-1319	Thermostat Well 67.5 mm	68
20-1320	Thermostat Well O Ring	
50-1205	Light Indicator (85)	N/S

Electroheat Titanium MKII Model 55 & 80 Single Phase

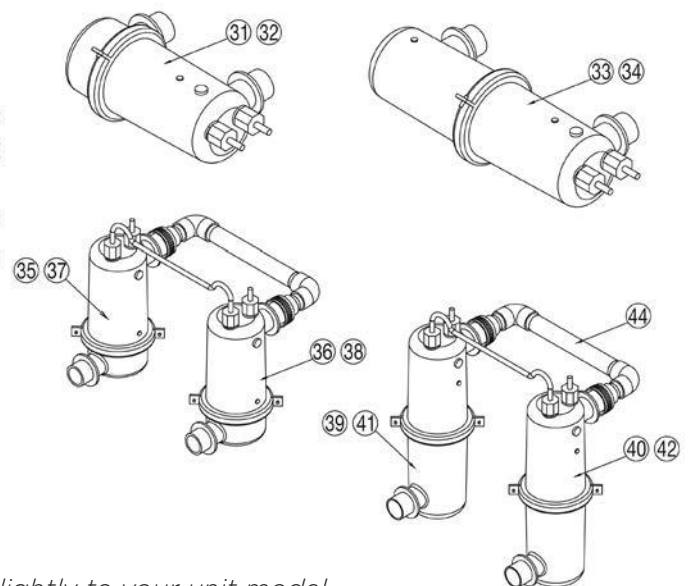
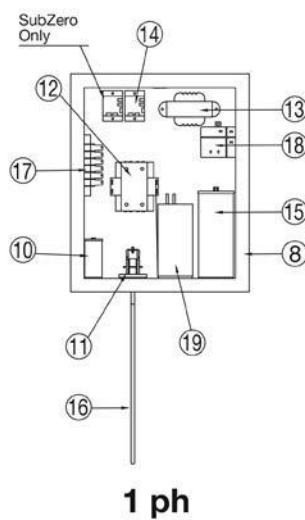
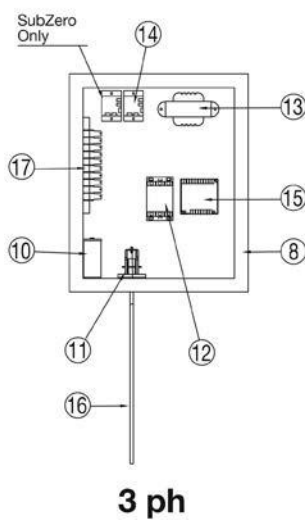


Electrical Box

(all models)

Canister Assembly

(all models)

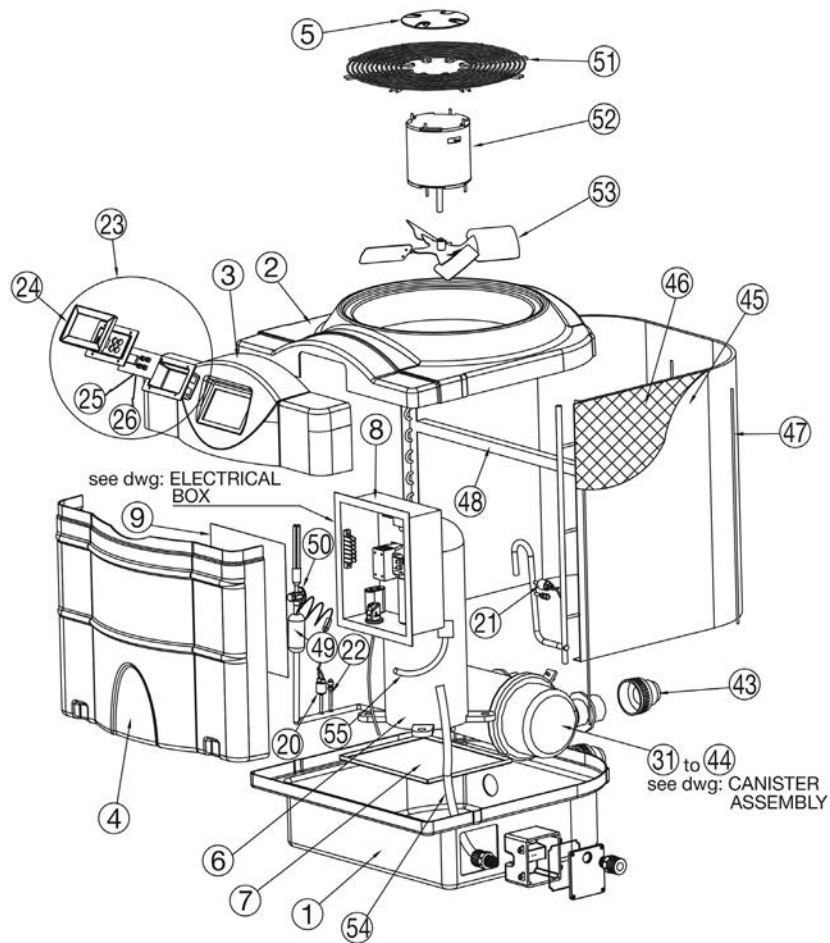


The images are for illustration only and may differ slightly to your unit model.

Electroheat Titanium MKIII Models 16kW & 23kW Single Phase

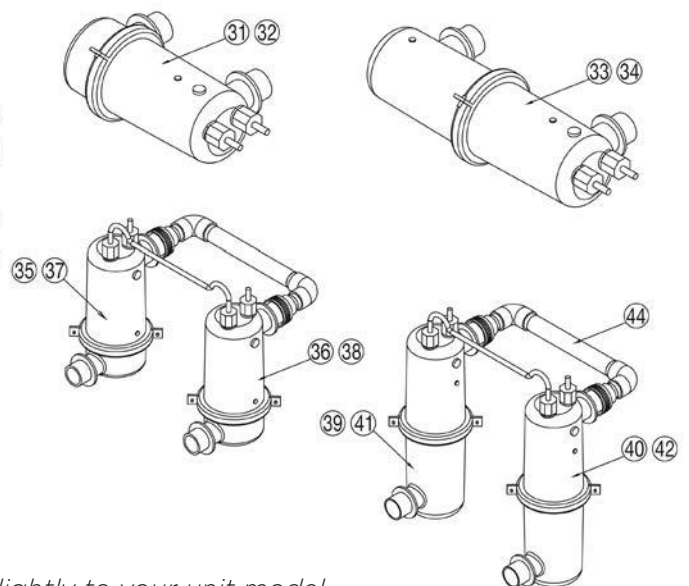
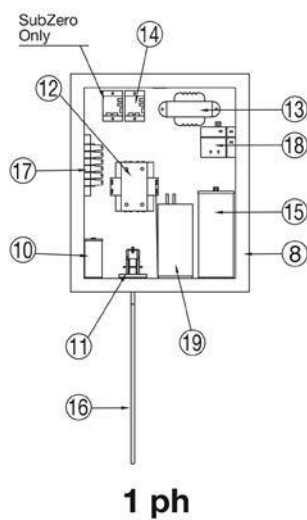
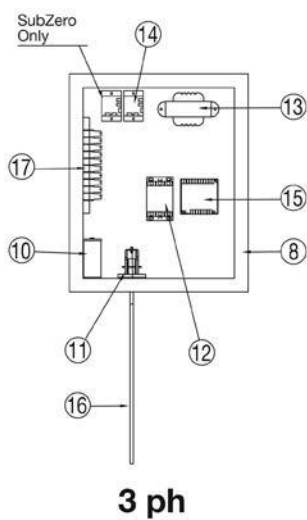
Part Number	Product Description	Diagram No.
20-1524	Cabinet Ventilation Cap	5
10-008DS	Compressor Scroll 4hp R407C (16KW)	6
10-1078CS	Compressor Scroll 4hp R410A (16KW)	6
10-1075DS	Compressor Scroll 5hp R410A (23KW)	6
10-1076DS	Compressor Scroll 6hp R410A (25KW)	6
ELECTRICAL BOX		
50-1103	5mf - 370 VAC	10
40-1006	Water Pressure Switch	11
80-1512	Retaining Ring Pressure Switch	11
50-1008	Contactora (40A 24V 2-POLE)	12
40-0001	Transformer	13
40-0002	Fan Relay 24V	14
50-1110	70 mf - 440 VAC (16KW)	15
50-1127	80 mf - 440 VAC (16KW)	15
50-1106	55 mf - 440 VAC (23KW)	15
20-1303	Tube PVC 30"	16
50-1333	Terminal Block 10 Poles (16KW, 23KW)	17
50-1119	Start Assist (16KW, 23KW)	19
SWITCH		
40-1002FV	425 - 325 PSI Flare R407C (16KW)	20
40-1041	565 - 400 PSI Flare R410A	20
40-1003V	25 - 50 PSI Flare R407C (16KW)	21
40-1033V	55 - 75 PSI Flare R410A	21
10-1311	Access Valve Schrader 5/16"	22
CONTROLLER		
40-2000	EH Control Assy - All Models (40-1032)	
20-1527	Escutcheon White	24
40-1030	Defrost Sensor Probe - Yellow	25
40-1031	Water Temperature Sensor Probe - Black	26
HEAT EXCHANGER		
10-1230	20' Small Align (16KW)	32
10-1236M	56' Large Align W/Dcoil 19/23kW	34
122243B	40mm Half Union c/w O Ring Black	43
FILTER DRYER		
10-1345	1/2" X 1 5/8" OD	49
CAPILLARIES & EXPANSION VAIVE		
10-1425	Capillaries 6 X 34" TC 54 R407C (16KW)	50
10-1451	Capillaries 6 X 41" TC 64 R410A (16KW)	50
10-1405	Capillaries 6 X 24" TC 64 R410A (23KW)	50
10-1377	Expansion Valve 5 Tons R410A (25KW)	50
FAN GUARD		
60-1128	Compact Small (16KW)	51
60-1129	Compact Large (23KW)	51
60-1103	Round Medium (25KW)	51
FAN MOTOR		
30-1008	1/8 hp 900 (16KW, 23KW)	52
30-1006	1/6 hp 900/1075 RPM (25KW)	52
FAN BLADES		
30-1110P	Fan Blades 14" (13KW)	53
30-1103P	Fan Blades 16" (23KW) - old	53
30-1106P	Fan Blades 20" (25KW)	53
CANISTER		
05-1351	Inlet large (25KW)	56
20-1344	Stabilization Bar 9" (25KW) Required 1 each for both inlet & outlet	56
05-1353	Outlet Large (25KW)	57
20-1359	Plastic Clamp Band (one piece)	64
80-1504	Rubber O Ring	65
20-1300	Cable Gland 3/4 NPT	66
20-1306	Hose Nipple	67
20-1357	Hose Nipple O Ring	67
20-1319	Thermostat Well 67.5 mm	68
20-1320	Thermostat Well O Ring	68
50-1205	Light Indicator	N/S

Electroheat Titanium MKIII Models 16kW & 23kW Single Phase



Electrical Box
(all models)

Canister Assembly
(all models)



The images are for illustration only and may differ slightly to your unit model.

Electroheat Inverter 12kW 2781210EU

Part Number	Product Description
COMPRESSOR	
69405523	Compressor Rotary Inverter Mitsubishi R410A
69405524	Thermoacoustic Compressor Jacket
SWITCHES	
69405525	High Pressure Switches OFF 3.6MPA (522 PSI)
69405526	High Pressure Switches OFF 0.09MPA 13 PSI)
69101311	Access Valve 5/16"
69401035	Adjustable Water Pressure Switch
CONTROLLER	
69405527	Inverter Controller System 3HP
69405528	Inverter Controller Cover
69405543	Controller Display Inverter
69405544	PCB Inverter Controller Board
69405545	Communication cable inverter
69405546	Temperature sensor 10k L725mm Inverter
69405547	Temperature Sensor x 3-L 1.2m 10k L0.7m (10k & 50k) inverter
69405548	Temperature sensor 10k L2m inverter
69405549	Inductor 500uH/25A inverter
HEAT EXCHANGER	
69101235M	Heat Exchanger 28" Small Align with Double Coil
122243B	Half Union 40mm c/w 'O' Ring Black
W22125	plug 1/8 BSP Heat Pump
69201319	Thermostat Well 67.5mm
69801504	o-ring canister
69405529	Nipple o-ring
69405530	Thermostat Well o-ring
69405531	Clamp Band Heat Pump
69201306	1/8" Barb nipple heat pump
69201300	3/4" Liquid tight connector 16mm dia. Seal
69405532	Canister outlet small
FILTER DRIER & ACCUMULATOR	
69405533	Filter Drier 5 Tonne
69405534	Accumulator
CAPPILARIES & EXPANSION VALVE	
69405542	Electronic Expansion Valve
FAN	
69601102	Fan Guard
69801619	Rubber Grommit
69405535	Fan Motor DC280V 8P IP44
69405536	Fan blade 19.5" 3 blade plastic
69405537	Fan cover black
4 WAY REVERSING VALVES	
69405538	4 Way Reversing Valves
PANELS	
69405539	Front Panel Inverter Grey
OTHERS	
69405540	Flat Bar Support SS318
69801024N	Cap Large - black Screws
69801025	Cap Base for Big Screw Cap
69405541	Nylon Screw Cover

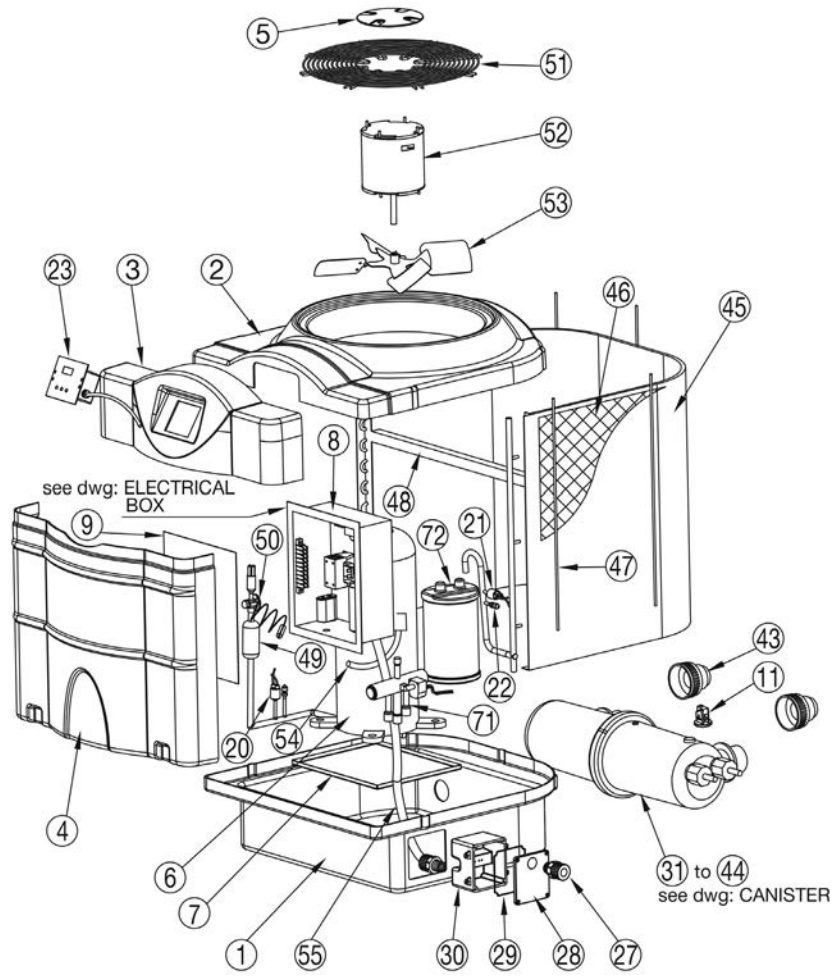
ElectroHeat Eco V Inverter 17 ,21, 25kW

Part Number	Product Description
COMPRESSOR	
69405512	Compressor H42D5VZAAC2 Panasonic 25kW
69405550	Compressor 5V330ZAA21 Panasonic 17&21kW
SWITCH	
69405509	Temperature sensor
69405510	Temperature sensor
69405511	Temperature sensor
69405507	Water Flow switch (2013)
69405517	High pressure switch
64905518	Low pressure switch
CONTROLLER	
6940550	Variable frequency drive module 25kW
6940551	Variable frequency drive module KLT1329 4.7kW 17 & 21kW
69405501	Circuit board
69405502	Wired controller
HEAT EXCHANGER	
69101236M	Heat exchanger 56' Large Align with double coil
WATER CONNECTIONS	
69405522	Water inlet / outlet slip 1½ / 50mm
FAN	
69405506	Fan Motor YDK-200-6
69405521	Fan O560 169
ELECTRICAL	
69405503	Contactora 35A 5.5kW
69405504	Transformer 24V
69405505	Fan Mtr Capacitor 10QF/450V CBB61C
69405508	Relay JQX-105F- 4/220AC
69405513	Electronic expansion valve
69405514	Electronic expansion valve coil
OTHERS	
69405519	Needle valve R410A
69405520	Gas pressure gauge R410A
69405515	Four Way Valve STF
69405516	Four Way Valve Coil

Electroheat Ultra Models 22kW, 29kW & 44kW Three Phase

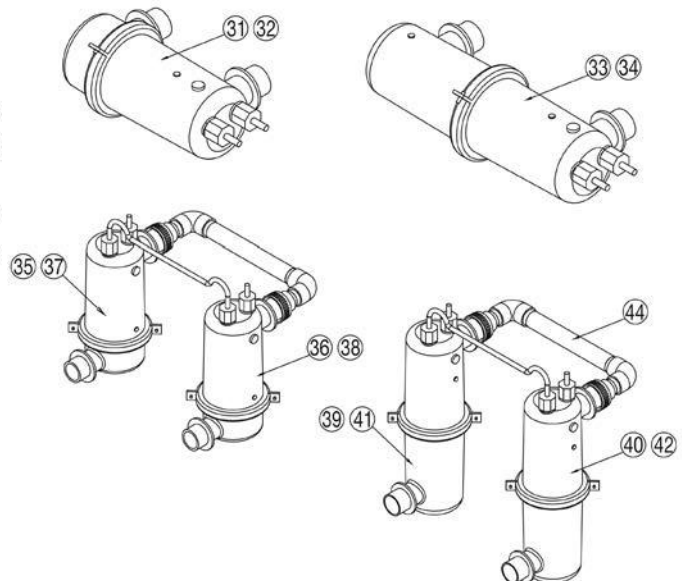
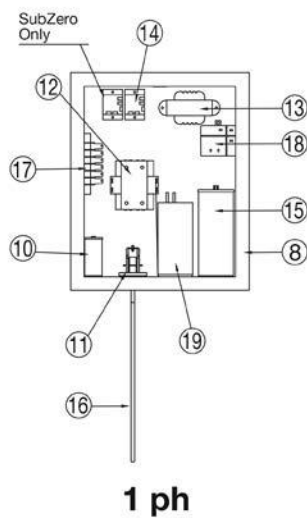
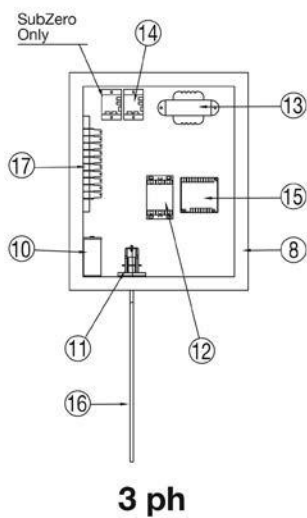
Part Number	Product Description	Diagram No.
20-1525	Ventilation Cap	5
10-1065SA	Compressor Scroll 6 HP R410A (22kW)	6
10-1070SA	Compressor Scroll 7 HP R410A (29kW)	6
70-1208EC	Compressor Support Scroll 4 Holes	7
10-1072SA	Compressor Scroll 10 hp (44kW)	6
ELECTRICAL BOX		
50-1103	5 mf - 370 VAC	10
40-1006A	Pressure Switch	11
50-1009	Contactora	12
40-0001	Transformer	13
40-0002	Relay 24 V	14
40-1017	Phase Monitor	15
50-1333	Terminal Block 10 poles	17
SWITCH		
40-1040	50 - 25 PSI R410A (All Models) - Low Pressure	20
40-1041	565 - 400 PSI R410A (all Models) - High Pressure	20
10-1311	Acces Valve Schrader 5/16"	22
CONTROLLER		
40-5000M2	Control Assembly Multi function	23
HEAT EXCHANGER		
05-1305R	16' Small Opposite - In (Right) 22KW	35
05-1305L	16' Small Opposite - Out (Left) 22KW	36
05-1306R	20' Small Opposite - In (Right) 29KW	37
05-1306L	20' Small Opposite - Out (Left) 29KW	38
122243B	40mm Half Union c/w O Ring Black	43
10-1236MR	Large Opposite in (Right) 44KW	
10-1236L	Large Opposite out (Left) 44KW	
05-1362	Connecting Tube PVC	44
FILTER DRYER		
10-1340	Bi-Flow 1/2" ODF 5 Tons (22kW & 29kW)	49
10-1376	Bi Flow 3/8" ODF 10 Tons (44kW)	49
EXPANSION VALVE		
10-1381	Expansion Valve 4 Ton R410A (22kW)	50
10-1378	Expansion Valve 6 Ton R410A (29kW)	50
10-1380	Expansion Valve 9 Ton R410A (44kW)	50
FAN GUARD		
60-1104	Round Large (All Models)	51
FAN MOTOR		
30-1004	1/4 hp 900 RPM (All Models)	52
FAN BLADES		
30-1107	Fan Blades 22"	53
CANISTER		
W22041	Plastic Clamp Band (one piece)	64
W12419	Rubber O Ring	65
20-1300	Cable Gland 3/4 NPT	66
20-1306	Nipple 1/8" Barb	67
W22031	Hose Nipple O Ring	67
20-1319	Thermostat Well 67.5 mm	68
W22038	Thermostat Well O Ring	68
OTHERS		
50-1205	Light Indicator	70
10-1362	4 Way Reversing Valve	71
10-1501	Suction Line Accumulator	72

Electroheat SubZero and Ultra



Electrical Box
(all models)

Canister Assembly
(all models)

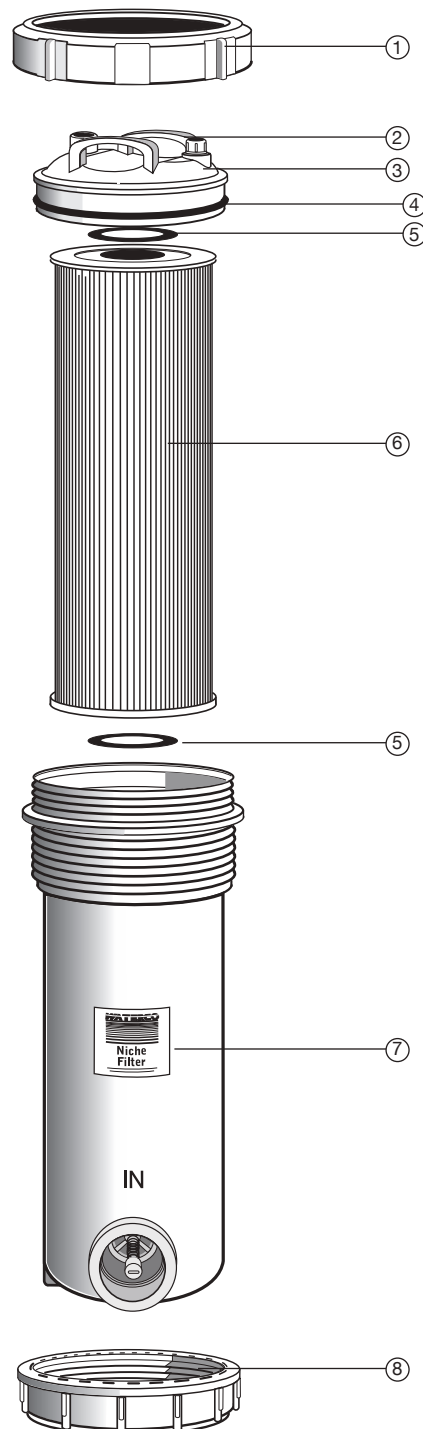


Electroheat MKIV & Ultra 278092, 278094, 278122, 278151, 278191, 278231, 2781911, 2782311

Part Number	Product Description
COMPRESSOR	
10-1024HI	Compressor Rotary 2.4HP R410 240V 50HZ (9kW)
10-1084HI	Compressor Rotary 3.2 HP R410 240V 50HZ (12kW & 15kW)
10-1074SA	Compressor Scroll 4.5 hp R410A (19kW)
10-1076DS	Compressor Scroll 6.0 hp R410 (23kW)
HEAT EXCHANGER	
10-1235M	Heat Exchanger 28' Sml Align with Double Coil (9KW - 278094 / 12KW / 15kW)
10-1236M	Heat Exchanger 56' Large Align with Double Coil (19kW/23kW)
20-1300	3/4" Liquid Tight Connector H/Pump
122243B	40mm Half Union C/W O'ring - Black
20-1319	Thermostat Well 67.5 mm
W22038	Thermostat Well O Ring
CAPILLARY	
W22891	Capillary Kit with Distributor 3x21" TC54
10-1388	Bi Flow Distributor Assembly #89 with strainer 3/8" (19kW)
10-1389	Bi Flow Distributor Assembly #102 with strainer 3/8" (23kW)
10-1385	Reversing Valve Assy Ultra
ELECTRICAL	
40-1006AV	Flow Switch Adjustable - Flare 3/4 NPT
30-1023	Fan Motor 45W 208-230 50/60hZ 6P
30-1116	Fan Blades 18" 12.7mm PP + Fibre
60-1131	Fan Guard 18"
50-1008	Contactator
40-0001	Transformer
40-0002	Fan Relay 24V
40-2000	Heat Pump Control Assy W Diagnostics
40-5000M2	Heat Pump Control Assy Reversing W/Diagnostics 40-1036 (Ultra, 19kW & 23kW)
20-1531	Escutcheon Assy Black Tinted Clear Cover
40-1040	Low Press Switch R410 25 - 50 PSI
40-1041	High Press Switch R410 565 - 400 PSI
40-2005M2	Defrost Sensor Probe - Yellow
40-2007M2	Water Temperature Sensor Probe - Black
BODY PANELS	
W44529	Base Panel - Black
20-1942	Top Panel - Black
60-1117	Support Rod Small

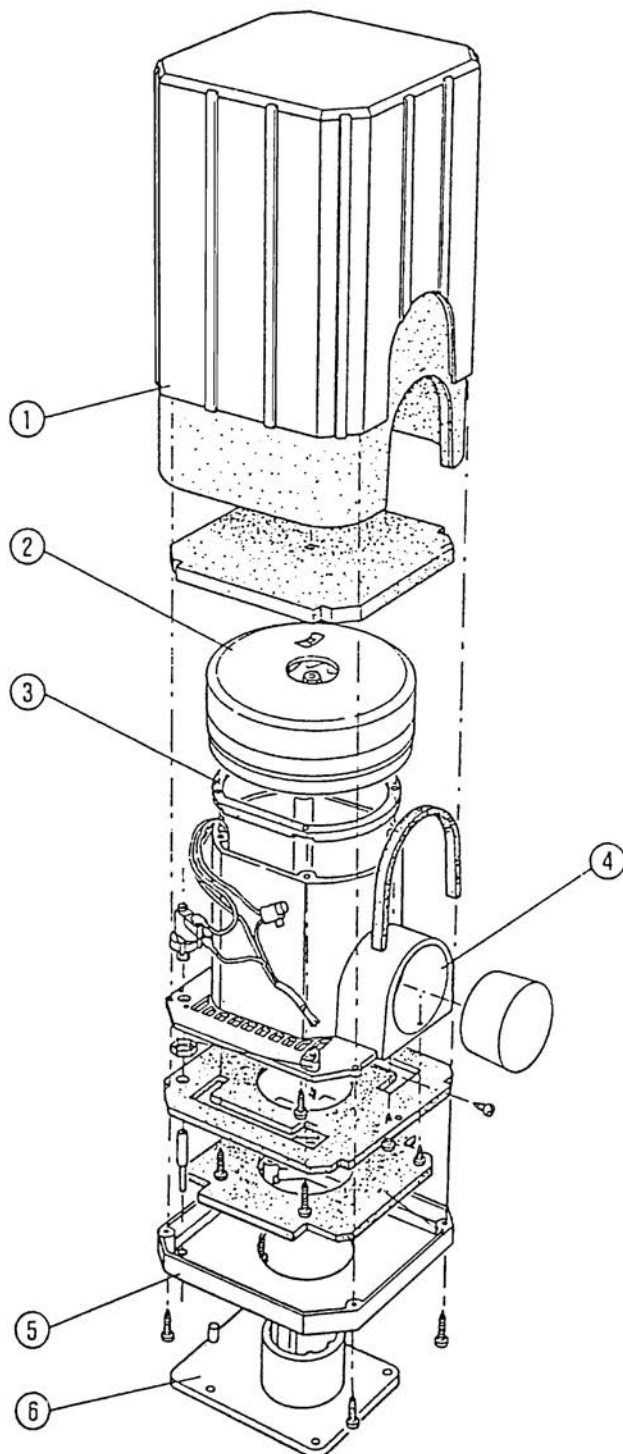
Top Load Cartridge Filter

Part Number	Product Description	Diagram No.
61209	Lid lock ring	1
61206	Air release valve	2
61207	Air release o ring	n/s
61205	Lid	3
61208	Lid o ring	4
61213	Spacer ring	5
62010	50sq ft cartridge	6
62009	75sq ft cartridge	6
61210	Top load filter tank 50	7
61211	Top load filter tank 75	7
61212	Body lock ring	8
61200	Bi-pass valve	n/s



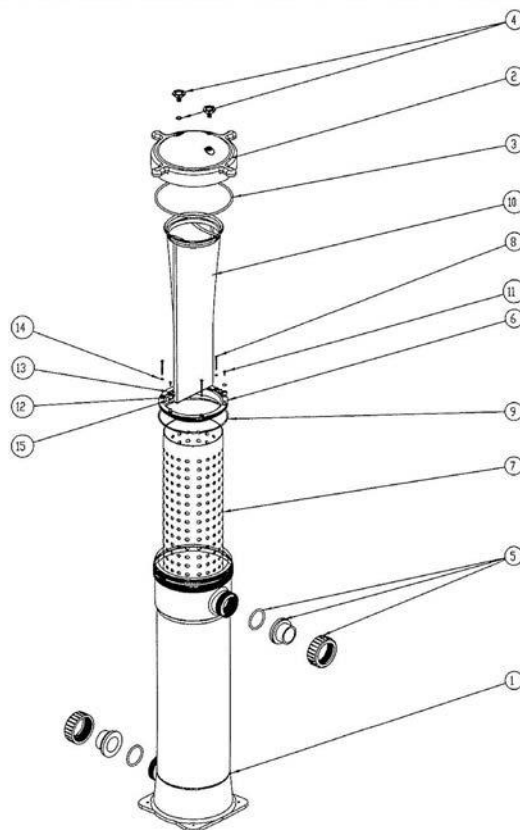
Whisper Air / Airflo Blowers

Part Number	Product Description	Diagram No.
S130501	Blower outer housing	1
S07267L	Blower motor	2
S130551	Blower motor mounting gasket	3
S130581	Internal motor mount	4
S130531	Blower bottom cowl	5
S130511	Blower base (stand)	6
S130571	Plug	
S13785	Blower motor brushes (each)	
S12811	Air Switch Latch	
82443911	Fair-Rite Suppression Core	
82443905	EMI Filter	



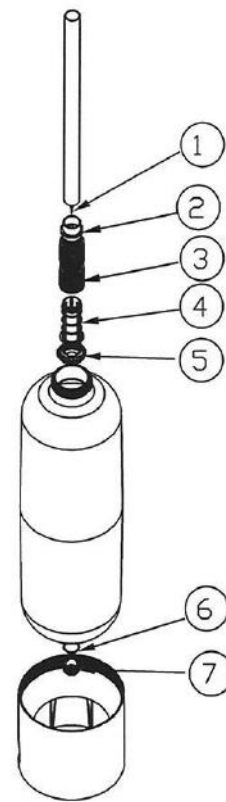
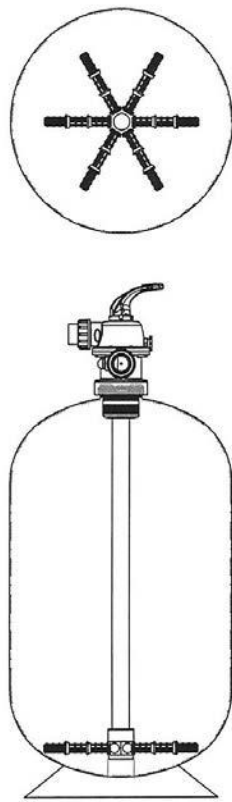
Commandomatic Trimline Filters

Part Number	Product Description	Diagram No.
COMMANDOMATIC BAG FILTER (TBF)		
3651931	1 micron filter bag - C50	10
36519310	1 micron filter bag - C75	10
3651924	5 micron filter bag - C50	10
36519240	5 micron filter bag - C75	10
3651925	25 micron filter bag - C50	10
36519250	25 micron filter bag - C75	10
3651926	50 micron filter bag - C50	10
36519260	50 micron filter bag - C75	10
36519265	800 micron filter bag - C50	10
36519266	800 micron filter bag - C75	10
62044130	Trimline Bag Filter C50 Tank Drilled	1
62044180	Trimline Bag Filter C75 Tank Drilled	1
6204417	Trimline Bag Housing Lid	2
620262	O Ring G220	3
620261	O Ring G220 - Viton	3
620221	Air release valve (x1)	4
6201931	Air release valve - Viton (O Ring)	4
122256BLK	Half Union Trimline 2"/50mm Black (2 required)	5
122257BLK	Half Union Trimline 2"/1.5" Black (2 required)	5
W02647BLK	Lock nut 2" (2 required)	5
6340246BLK	Tail end 2" x 50mm (2 required)	5
W02648BLK	Tail end 2" x 1.5" (2 required)	5
W02280	O Ring BS332 Half Union 2"	5
3651947	Cage Ring	6
3651946	T/L Bottle with drill Hole - C50	7
36519460	T/L Bottle with drill Hole -C75	7
620292	Screw - CSK 10g x 50 SLD TPPNG	8
620293	O Ring 205 x 4	9
6340087	Screw - CSK 8g x 13 SLD TPPNG	11
620291	latch	12
620294	washer	13
82444204	o ring BS 011	14
82444205	o ring BS 010	15



W & WD Series Deep Bed Filter

Part	Product Description	Diagram No.
W02026BLK	Drain Plug 15mm Assembly	
W02936	Pressure Gauge 110mm - 6 Bar	
855172	Adaptor A15 Clack Valve (Auto Valve)	
62093021	40mm End Plug	7
823319	DE Screw Elbow O-Ring 40mm	6
W22279	Locater + Bayonet Assembly	5
6209222	Lateral Diverter MK2	4
6209211	Lateral W300	3
6209252	Lateral Socket MK2	2
W22208	Screw G8 x 1" Stainless Steel 316 P/Head	1



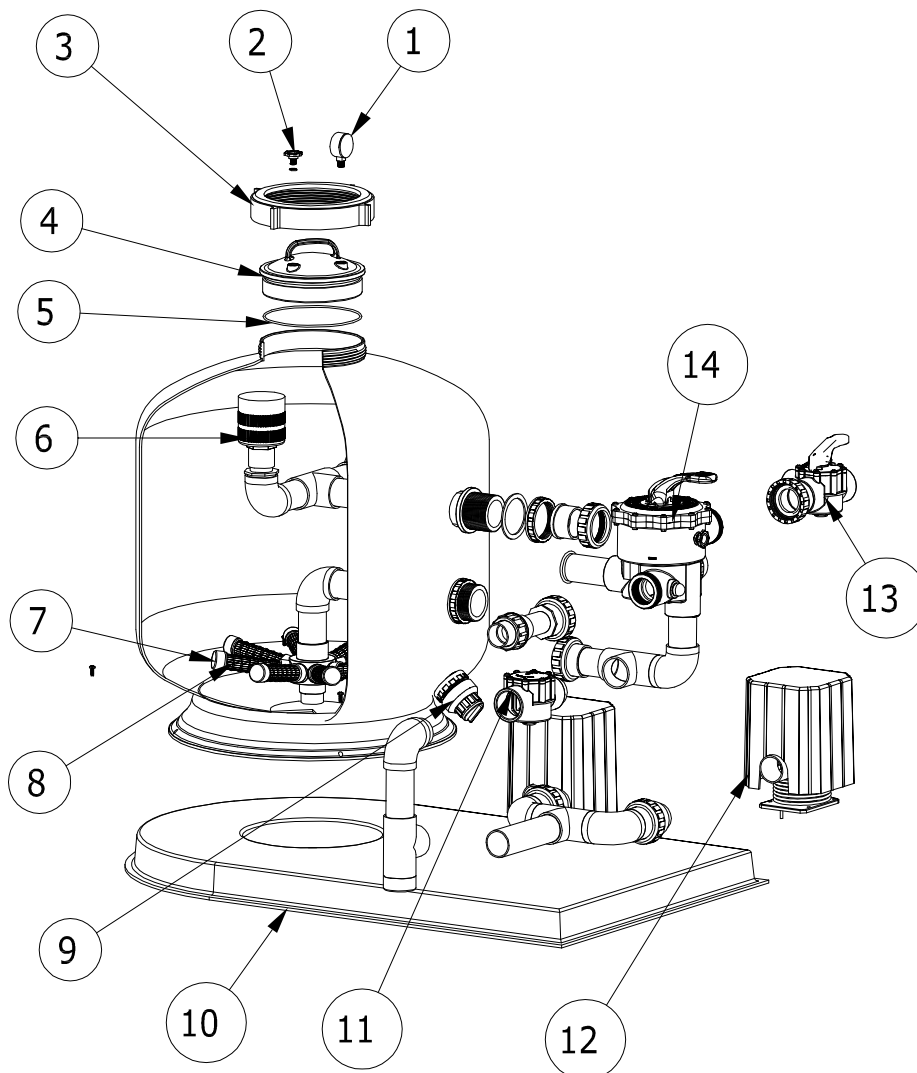
Model W250 & W300

Part No:	Hexagonal Manifold	W02986	W02984	W02985	W02991
		LATERALS			
Model		40mm	60mm	120mm	120mm
W400/WD400	1	-	-	6	-
W500/WD500	1	6	-	-	6
W600/WD600	1	-	6	-	6
W700/WD700	1	-	-	6	6

Aquabiome Skid Pack (SM400 - SM900)

Part Number	Product Description	Diagram No.
14862	Wat 50/652W valve (SM700, Sm900)	13
14852	FPI 2 way valve white (SM400, SM500, SM600)	13
282400	Spa blow air flow 1000 (SM750, SM900) - 2 Nos required Spa blow air flow 1000 (SM400, SM500, SM600) - 1 Nos required	12
14651	Check valve 50/60mm 180DG	11
455569	Skid base T/P T600 (SM400, SM500)	10
620822	Base bead Filter 24" (SM600)	10
620823	Base bead filter 30"/36" (SM750, SM900)	10
W04058BLK	D/P complete 40mm Black	9
6209240	Lateral 1.1 x 200mm (SM900) - 8 Nos required	8
6209220	Lateral 1.1 x 110mm (SM600) - 8 Nos required	8
6209230	Lateral 1.1 x 145mm (SM500, SM750)	8
6209210	Lateral 1.1 x 75mm (SM400, SM600, SM750, SM900) - 8 Nos required	8
W02117PP	Lateral end cap nut PP - 8 Nos required	7
6209412	Diffuser 0.5mm slot short (SM750, SM900) - 2 Nos required Diffuser 0.5mm slot short (SM400, SM500, SM600) - 1 Nos required	6
62026	T/L lid 'O' ring	5
6209291	Filter lid 8" clear	4
62024BLK	TCF lock ring black	3
620221	Air relief valve - new - 2 Nos required	2

For multiport valves and pressure gauges see page 14-16 of the main pricelist



Exotuf Aquabiome Skid Pack (E500, E600, E702)

Part Number	Product Description	Diagram No.
282410	Blower Airflo Europe (E500+, E600+)	14
282501	Spa blower Whisperair 1200 Watt motor (E702+)	14
14642	Spring ball check valve 40mm (E500+, E600+)	13
W32979	Spring ball check valve 50mm F/Threaded (E702+)	13
620221	Air relief valve - new style - black	12
6409412	Diffuser 0.5mm slot short	11
6209240	Lateral 1.1 x 200mm (E702+) - 8 Nos required	10
6209220	Lateral 1.1 x 110mm (E500+, E600+) - 8 Nos required	10
6209210	Lateral 1.1 x 75mm (E600+) - 8 Nos required	10
W02117PP	Lateral end cap nut PP - 8 Nos required	9
W02026BLK	Drain plug complete 15mm - black	7
6220208	Clamp band 8" - 2 Nos required	6
62092911	Filter clear lid 8" clamp type	5
622203	Screw overmolded M8 x 60 S/S hex bolt - 2 Nos required	4
W22479	'O' ring 197.2 x 4.5mm NBR black Shore70	3
W22280	Washer flat M8 brass (8.4 x 18 x 1.5mm) - 2 Nos required	2
W02195TLJ	De knob w0.6" head DIA brass insert - 2 Nos required	1

For multiport valves and pressure gauges see page 14-16 of the main pricelist

