

# **WATERCO**

**EUROPE**

**LTD**

**ΕΥΡΩΠΗ**

**ΓΙΔ**

**WATERCO**



# **WATERCO**

---

## **water, the liquid of life**

### **Manufacturing Power House**

Waterco's R&D division has led to the development of innovative products, meeting the challenges of change in the market place. The key to Waterco's success has been its pioneering fibreglass and plastic moulding techniques, as well as its efficient manufacturing processes.

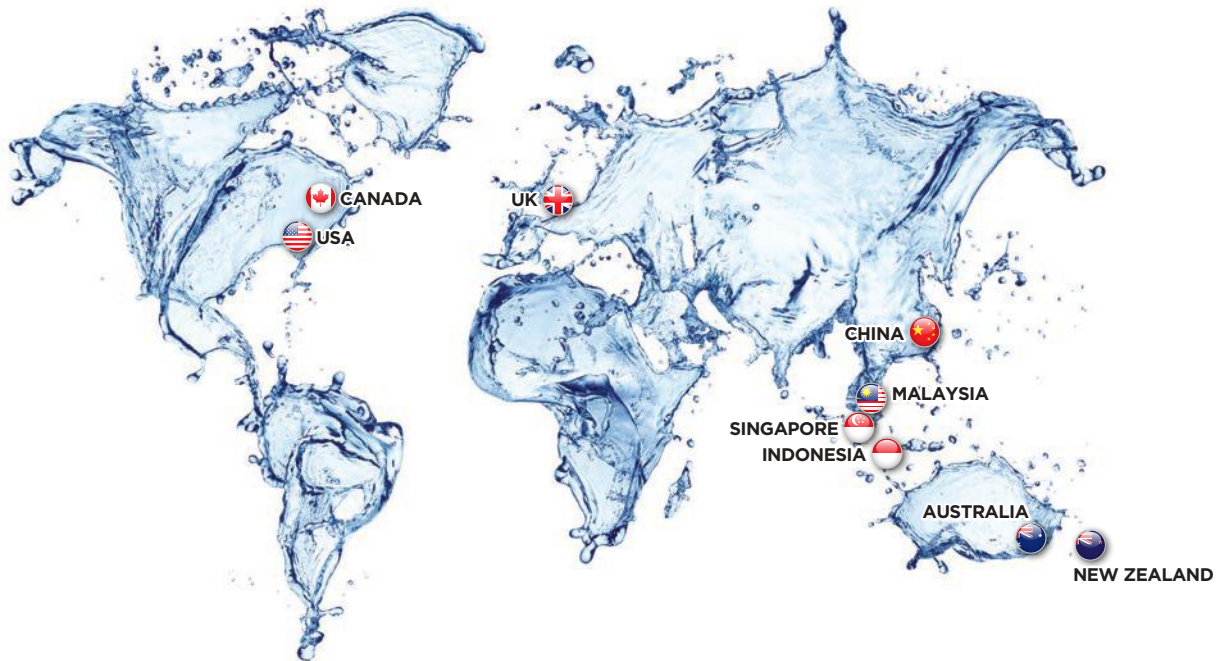
Waterco acquired Lacron Limited, at the time the UK's largest and most progressive manufacturer of pressure sand filters. Since this acquisition, Waterco has used this UK base for all its European operations.

### **Mission Statement**

To be a proactive company with a strong international presence in the water treatment and related industries.  
To provide outstanding customer service and technological support for its growing product range.



Waterco exports to over 40 countries via branches operating in Australia, New Zealand, Malaysia, China, the United Kingdom, United States of America, Canada and Indonesia as well as through international distributors.



**Waterco Europe Limited**

Radfield, London Road, Teynham, Sittingbourne, Kent ME9 9PS, United Kingdom.

**Tel:** 44 (0) 1795 521 733 **Fax:** 44 (0) 1795 522 085

**Email:** [info@waterco.eu](mailto:info@waterco.eu) [www.waterco.eu](http://www.waterco.eu)

Effective 1st January 2023

## Transport weights & dimensions

Please find below a list of approximate shipping weights and dimensions for some of our commercial filters and pumps.

### MICRON COMMERCIAL:

#### SMD filters—palletised:

<b>SMD 900</b>	120 x 100 x 220cm	180kgs
<b>SMD 1050</b>	120 x 120 x 220cm	190kgs
<b>SMD 1200</b>	120 x 130 x 220cm	220kgs
<b>SMD 1400</b>	160 x 150 x 220cm	240kgs
<b>SMD 1600</b>	160 x 170 x 220cm	260kgs
<b>SMD 1800</b>	200 x 190 x 220cm	460kgs
<b>SMD 2000</b>	210 x 200 x 220cm	650kgs

#### SPDD filters—palletised:

<b>SPDD 1050</b>	120 x 120 x 240cm	200kgs
<b>SPDD 1200</b>	120 x 130 x 240cm	220kgs
<b>SPDD 1400</b>	160 x 150 x 240cm	300kgs
<b>SPDD 1600</b>	160 x 170 x 240cm	370kgs
<b>SPDD 1800</b>	200 x 210 x 240cm	680kgs
<b>SPDD 2000</b>	200 x 210 x 240cm	940kgs
<b>SPDD 2200</b>	220 x 230 x 240cm	1058kgs
<b>SPDD 2350</b>	240 x 240 x 240cm	1250kgs

#### SMDD filters—palletised:

<b>SMDD 750</b>	120 x 100 x 240cm	80kgs
<b>SMDD 900</b>	120 x 100 x 240cm	182kgs
<b>SMDD 1050</b>	120 x 120 x 240cm	200kgs
<b>SMDD 1200</b>	120 x 130 x 240cm	240kgs
<b>SMDD 1400</b>	160 x 150 x 240cm	300kgs
<b>SMDD 1600</b>	160 x 170 x 240cm	380kgs
<b>SMDD 1800</b>	200 x 190 x 240cm	450kgs
<b>SMDD 2000</b>	200 x 210 x 240cm	630kgs
<b>SMDD 2200</b>	220 x 230 x 240cm	800kgs
<b>SMDD 2350</b>	240 x 240 x 240cm	940kgs

#### Hydron Split tank filters—palletised:

<b>Hydron Split tank 1200</b>	140 x 140 x 240cm	400kgs
<b>Hydron Split tank 1400</b>	160 x 160 x 240cm	586kgs
<b>Hydron Split tank 1600</b>	180 x 180 x 240cm	735kgs
<b>Hydron Split tank 1800</b>	200 x 200 x 240cm	850kgs

### LACRON COMMERCIAL:

#### Lacron HZC filter—palletised:

<b>HZC 42</b>	213 x 112 x 132cm	170kgs
---------------	-------------------	--------

#### Lacron finaflow DBF filter—palletised:

<b>DBF 24</b>	120 x 80 x 200cm	46kgs
<b>DBF 30</b>	120 x 80 x 200cm	65kgs
<b>DBF 36</b>	120 x 100 x 200cm	75kgs
<b>DBF 42</b>	120 x 100 x 200cm	180kgs

#### Lacron LSC filter—palletised:

<b>LSC 36</b>	120 x 100 x 110cm	83kgs
<b>LSC 42</b>	120 x 115 x 120cm	140kgs
<b>LSC 48</b>	120 x 120 x 130cm	150kgs

### COMMERCIAL PUMPS:

#### Hydrostar Plus pump—palletised:

<b>Hydrostar Plus 7.5HP</b>	120 x 80 x 70cm	99kgs
<b>Hydrostar Plus 10HP</b>	120 x 80 x 70cm	109kgs
<b>Hydrostar Plus 12.5HP</b>	120 x 80 x 70cm	115kgs
<b>Hydrostar Plus 15HP</b>	120 x 80 x 70cm	171kgs
<b>BH5000 cast Iron pump 11.3kW</b>	120 x 80 x 70cm	120kgs

IMPORTANT NOTE: weights and dimensions shown are approximate and shown as a guideline only. Details may vary slightly at time of shipping.



# Conversion Tables

## SOME USEFUL CONVERSIONS

Kilowatts	x 3412	=	B.T.U.	Ft <sup>3</sup>	x 0.0283	=	m <sup>3</sup>
Kg	x 2.205	=	Pounds	Ft <sup>3</sup>	x 6.2288	=	Gallons (imperial)
H.P.	x 0.7457	=	Kilowatts	m <sup>3</sup>	x 220	=	Gallons (imperial)
Inches	x 2.540	=	Centimetres	imp Gallons	x 4.5461	=	Litres
Feet	x 0.3048	=	Metres	Ft <sup>3</sup>	x 28.317	=	Litres
Sq. Ft.	x 0.0929	=	Sq. Metres	m <sup>3</sup>	x 1000	=	Litres

Imperial Gallon	= 1.201	US Gallons	1m <sup>3</sup>	= 220	Imperial Gallons
	= 0.004546	m <sup>3</sup>		= 264.20	US Gallons
	= 4.546	litres		= 1,000	litres
US Gallons	= 0.833	Imperial Gallons	1 Litre	= 0.2200	Imperial Gallons
	= 0.003785	m <sup>3</sup>		= 0.2640	US Gallons
	= 3.785	litres		= 0.0010	m <sup>3</sup>

## UPVC & ABS IMPERIAL PIPE - DIMENSIONS AND FLOW RATES

PIPE SIZE	PIPE CLASS	OUTSIDE DIAMETER	INTERNAL DIAMETER	CROSS SECTION AREA	SUCTION FLOWRATE		RETURN FLOWRATE	
					MAX FLOW AT 1.2m/ sec VELOCITY	MAX FLOW AT 2.0m/ sec VELOCITY	MAX FLOW AT 1.2m/ sec VELOCITY	MAX FLOW AT 2.0m/ sec VELOCITY
inches		inches	inches	square inches	gal/hour	m <sup>3</sup> /hour	gal/hour	m <sup>3</sup> /hour
0.5"	E	0.842	0.692	0.376	232	1.1	386	1.5
0.75"	E	1.053	0.888	0.619	381	1.7	634	2.4
1"	E	1.321	1.102	0.954	587	2.7	978	3.7
1.25"	E	1.663	1.409	1.559	959	4.4	1598	6.0
1.5"	C	1.900	1.609	2.032	1250	5.7	2084	7.8
2"	C	2.375	2.137	3.586	2206	10.0	3677	13.9
3"	E	3.500	3.012	7.124	4382	19.9	7305	27.6
4"	E	4.500	3.846	11.615	7145	32.5	11910	45.0

## HEAD AND PRESSURE

1ft Head	= 0.3048	metres head	1metre Head	= 3.281ft	ft Head
	= 0.4335	psi		= 1.422	psi
	= 0.02989	bar		= 0.09807	bar
	= 0.8827	inch/hg vacuum		= 2.896	inch/hg vacuum
	= 0.03048	kgf/cm <sup>2</sup>		= 0.1000	kgf/cm <sup>2</sup>

## EQUIVALENT

METRIC		IMPERIAL	
Outside Dia.	Outside Dia. (Imperial)	Nominal Bore	Outside Dia. (Imperial)
20mm	0.67"	3/8"	0.675"
None	-	1/2"	0.842"
25mm	0.98"	3/4"	1.053"
32mm	1.26"	1"	1.321"
40mm	1.58"	1 1/4"	1.663"
50mm	1.97"	1 1/2"	1.900"
63mm	2.48"	2"	2.375"
75mm	2.95"	2 1/2"	2.960"
90mm	3.54"	3"	3.500"
110mm	4.33"	4"	4.500"
125mm	4.92"	none	-
140mm	5.51"	5"	5.520"
160mm	6.30"	6"	6.625"

IMPORTANT NOTE: When referring to pipe sizes, metric pipe is quoted by its actual outside diameter. Imperial pipe is quoted by its nominal bore or inside diameter.

## Product Catalogue

### 8 Terms & Conditions of Sale

### 11-16 Valves

Flow Check Non Return Valves  
FPI Valves  
Actuator Valves  
Multiport Valves  
Commercial Multiport Valves  
Pressure Gauges

### 17-22 Multicyclone Prefilters

Multicyclone  
Multicyclone Plus / Ultra  
Multicyclone PRO  
Base Stands  
Multicyclone MC70XL

### 23-32 Filters

Micron Top  
Micron Side  
Lacron LSR Side  
Lacron TMV Top  
Lacron LSR Pure Side  
Exotuf Top  
Moulded Skid Base  
Trimline Cartridge Filter  
Opal XL Cartridge  
Fulflo Tri-Cartridge  
Trimline Leaf Trapper

### 33-48 Commercial Filters

Micron SMD  
Micron SMDD  
Micron SPDD Nozzle Plate  
Micron SPDD DIN  
Hydron Split Tank  
Micron Horizontal  
Lacron HZC Horizontal  
Lacron LSC  
Finaflow MBF  
Finaflow DBF  
Valve Batteries  
Pressure Gauge Panel  
Hydro Commercial Strainer  
Flange Kits  
Air Release Valve  
Sight Glass

### 49-52 Filtration Media

EcoPure Glass Media  
Glass Pearls

### 53-62 Pumps

Aquamite  
Supastream  
Lacronite / Lacronite ECO  
Supatuf / Supatuf ECO V  
Hydrostorm  
Hydrostorm Plus  
TurboFlo

### 63-70 Commercial Pumps

Hydrostar MKIII  
Hydrostar MKIV  
Hydrostar Plus 2940 rpm  
Hydrostar Plus 1450 rpm  
Pump Specifications Table

### 71-78 Maintenance Equipment

Ultravac Portable Filtration Cart  
PRO Pool Care  
AquaFingers

### 79-80 Pool Water recirculation

Skimmers  
Hydrostatic valve

### 81-86 Underwater Lights

### 87-90 Sanitization

Hydrochlor MK3 Mineral Chlorinator

### 91-96 Heating

ElectroHeat Ultra ECO V  
ElectroHeat XL  
ElectroHeat XL ECO-V  
ElectroHeat Pumps MKIII

### 97-100 Aquaculture

Exotuf Aquabiome Bead Filter  
Micron Aquabiome Bead Filter  
Airflo Air Blower

### 101-106 Purification Systems

Micron W / WD Series  
Commandomatic TCF Cartridge Filter  
Commandomatic TBF Bag Filter

### 107-110 Warranty Terms and Conditions

# Index

## Spare Parts Catalogue

- 2-7 MPVs**  
4 way 1.5" / 50mm  
6 way 1.5" / 50mm  
6 way 2" / 63mm  
6 way 2.5" / 75mm  
6 way 3" / 90mm  
Commercial 4" / 110mm
- 8-13 MultiCyclone**  
MultiCyclone 12 Plus / Ultra  
MultiCyclone 16 Plus / Ultra  
MultiCyclone 12 (standard)  
MultiCyclone 16 (standard)  
MultiCyclone 70 XL commercial
- 14-42 Filters - domestic**  
Trimline Cartridge TCF  
Opal Cartridge  
Opal XL Cartridge  
Fulflo Tri-Cartridge  
Fulflo DE (Astra)  
Waterco TM Micron/Exotuf  
Exotuf Plus SM  
Exotuf Plus TM  
Micron SM  
LacronTM  
Lacron Pure  
Lacron SM  
Lacron Plus
- 43-75 Filters - commercial**  
Micron SMD / SMDD  
Micron SPDD  
Micron horizontal  
Hydron Split tank  
Lacron horizontal  
Lacron commercial SM  
Lacron MBF  
Lacron HPF  
Lacron LCX/ LCP
- 76-77 General Equipment**  
Commercial strainer  
Ultra Vac Cart
- 78-94 Pumps**  
Aquamite  
Lacronite  
Supatuf  
Supastream  
Turboflo  
Hydrostorm  
Hydrostorm Plus  
Hydrotuf  
Hydrostar  
Hydrostar Plus  
Cast Iron pump
- 95-103 General Equipment**  
Supaskimmer/Fulflo/S75/SP500  
Main Drain  
Auto water leveller  
Litestream light  
Britestream light  
Electrochlor  
Hydrochlor
- 104-120 Heat Pumps**  
ElectroHeat Plus  
ElectroHeat Titanium  
ElectroHeat Inverter  
ElectroHeat Ultra / Subzero
- 121-124 General Equipment**  
Top load cartridge filter  
Air Blowers  
Commandomatic Trimline filter  
W & WD deep bed filter
- 121-124 General Equipment**  
Top load cartridge filter
- 125-126 Aquaculture**  
Aquabiome SM400-900  
Exotuf Aquabiome E500, E600, E702

# Terms and Conditions of Sale

## 1. PURCHASES

We request that orders be made in writing using product code numbers and descriptions as published in our price list. This will minimise the possibilities of errors.

## 2. DELIVERY

Delivery time will be 14 days from receipt of orders in the case of material available ex-stock. Where items are out of stock, we will specify supply date immediately upon receipt of order. Supply date is the date materials leave our warehouses as we cannot be held responsible for changes in shipping schedules or shipping delays.

## 3. PAYMENT

Payment in advance by telegraphic transfer unless credit arrangements have been approved.

## 4. MINIMUM ORDER

Minimum order value is £50.00 (excluding taxes and freight) or a surcharge of £20.00 will apply.

## 5. PRICES

Prices are inclusive of standard packing ex-warehouse and in £. Waterco Europe Ltd reserve the right to change the price without prior notice.

## 6. SPECIFICATIONS

All specifications are for guidance only and dimensions are subject to tolerance (+/-1%). Designs may be modified without notice. Please contact Waterco to confirm current product dimensions.

## 7. WARRANTY

All Waterco Europe Ltd products are manufactured using the finest quality materials available and are subject to the most stringent quality and performance tests. For full details of our Warranty Terms and Conditions, please see page 107-110.

## 8. ORDERS

The customer shall, within fourteen (14) days upon receipt of a completed order, report to Waterco Europe Ltd in writing, all incorrect deliveries. Deliveries shall be assumed to be correct and no adjustment shall be made unless such notice is provided to Waterco Europe Ltd within fourteen (14) days of the date of receipt of the goods. No stock returns will be accepted without prior written agreement from Waterco Europe Ltd.

## 9. RESTOCKING FEES

PRODUCT	RESTOCKING FEES
Commercial Filters	£100
Heat Pump	£100
Commercial Pumps	£50
All other products	25% of value

## PLEASE NOTE THESE ARE RE-STOCKING FEES ONLY AND NOT APPLICABLE TO WARRANTY RETURNS.

Return carriage charges and arrangements will be the responsibility of the customer wishing to return the goods, and no carriage charges will be included in any subsequent refund issued.

No credit will be issued unless goods are returned in a resalable condition including all packaging, and after the product has been tested/inspected and approved.

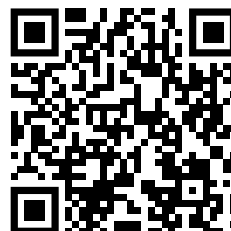
## 10. OWNERSHIP OF GOODS

Ownership of the goods in all cases shall be retained by Waterco Europe Ltd until payment is made for such goods and for all goods supplied by Waterco Europe Ltd to the customer and such payment is received in full. In the event that the customer fails to make payment within the due date stipulated by Waterco Europe Ltd, Waterco Europe Ltd shall have the right to enter upon the premises of the customer and to regain possession of the said goods. In the event that such goods are sold by the customer prior to payment thereof, or if they shall become constituents of other goods, then the proceeds of sale thereof shall be the property of Waterco Europe Ltd.

## 11. DISPUTES

Any dispute must be received in writing by Waterco Europe Ltd within 14 days of receipt of goods.

12. The Waterco (Europe) Ltd Terms & Conditions of Sale are correct at the time of print. These terms & conditions can be updated at any time and are available to download from our Waterco Ltd Website; [www.waterco.eu](http://www.waterco.eu) or by scanning the QR code.





# Contents

VALVES

MULTICYCLONE

FILTERS

COMMERCIAL FILTERS

MEDIA

PUMPS

COMMERCIAL PUMPS

MAINTENANCE EQUIPMENT

POOL WATER RECIRCULATION

LIGHTS

SANITISATION

HEATING

AQUACULTURE

PURIFICATION SYSTEMS

SPARES



CLIMATE CARE  
CERTIFIED

THE NEW BENCHMARK IN  
**ENVIRONMENTAL SUSTAINABILITY**  
FOR SWIMMING POOLS & SPAS



The Climate Care Certification Program is an initiative of the Swimming Pool & Spa Association of Australia Ltd (SPASA Australia).

It is the industry's efficiency and sustainability certification program.

A CLIMATE CARE CERTIFIED PRODUCT, SYSTEM OR INSTALLATION / RETROFIT / CONSTRUCTION IS ONE THAT CREATES A NEW BENCHMARK FOR SWIMMING POOLS AND SPAS WHICH UTILISES:

- ✓ WATER EFFICIENCY / SUSTAINABILITY
- ✓ ENERGY EFFICIENCY
- ✓ NOISE REDUCTION MEASURES
- ✓ ENVIRONMENTALLY SUSTAINABLE DESIGNS
- ✓ EFFICIENCY / SUSTAINABILITY / INNOVATION

**WATERCO**  
EUROPE LTD  
water, the liquid of life

# Valves



# Valves



Flow Check Valve 180°

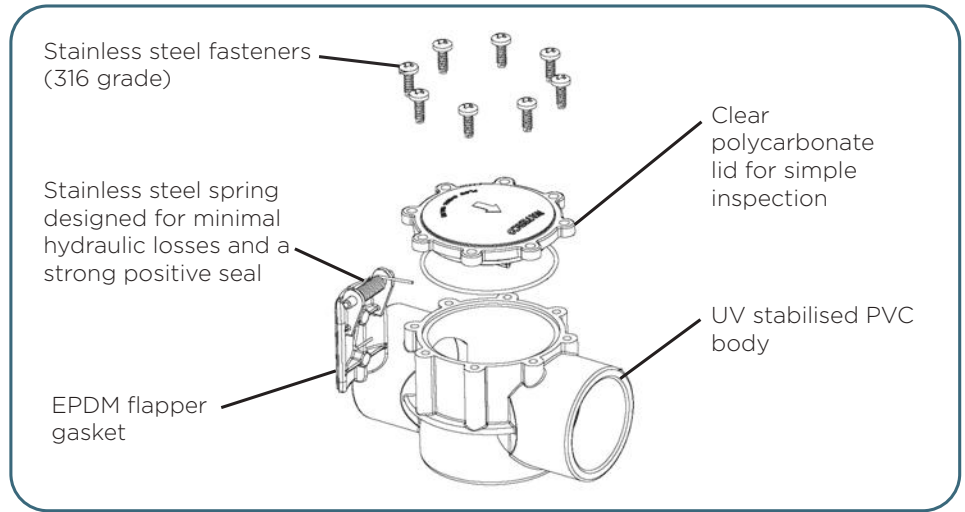


Flow Check Valve 90°

### FLOW CHECK NON RETURN VALVE

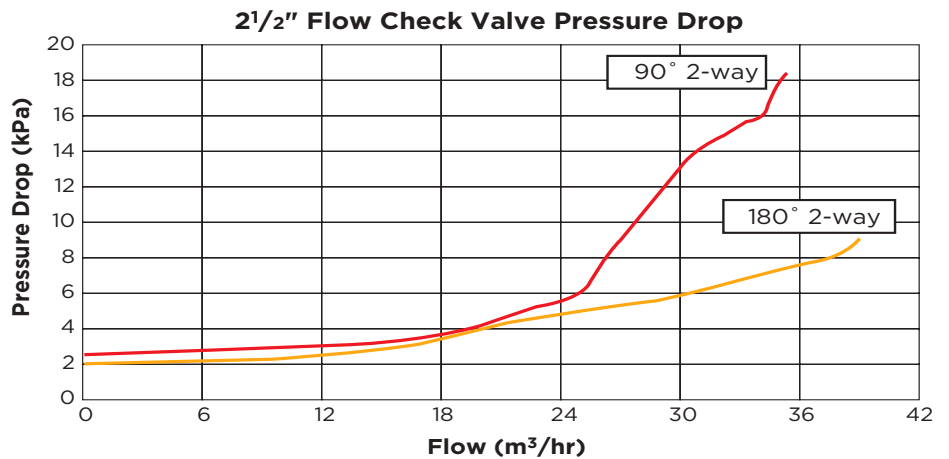
Part No.	Product Description	Nom. Size
14653	Flow Check Valve 180°	63/75mm
14651	Flow Check Valve 180°	2"/2 1/2"
146539	Flow Check Valve 90°	63/75mm
146519	Flow Check Valve 90°	2"/2 1/2"

The Flow Check Valve has been designed to be simple to install, inspect and service. With a stainless steel spring designed for minimal hydraulic losses and a stronger positive seal, it is ideal for both inlet and return lines.



- Eliminate the loss of prime on the suction side of a pump.
- Prevent the drain down of water towards pumps and filters.
- Prevent water flow in an unwanted direction.

The Flow Check Valve's pressure rating of 4 bar (58 psi) and its 316 stainless steel fasteners make it suitable for domestic and commercial applications.





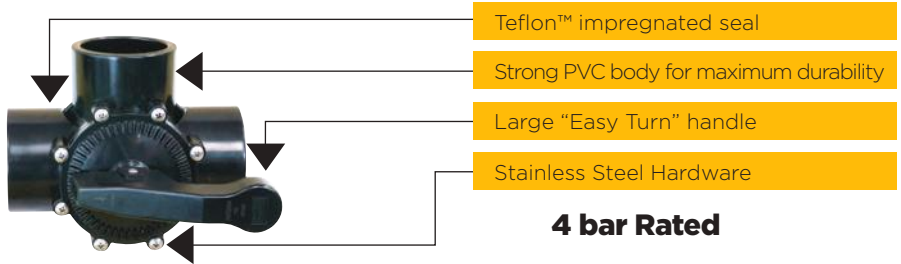
# Valves



3 way valve 14863

### MANUAL FPI VALVES - with teflon seals

Part No.	Product Description	Nom. Size
14852	2 Way Valve slip fit - Teflon™ impregnated seals	1/2"/2"
14853	3 Way Valve slip fit - Teflon™ impregnated seals	1/2"/2"
148533	3 Way Valve slip fit - Teflon™ impregnated seals	50mm
148563	2 Way Valve slip fit - Teflon™ impregnated seals	63/75mm
148603	3 Way Valve 360° slip fit Metric- Teflon™ impregnated seals	63/75mm



#### Teflon™ seals

Teflon™ seals offer minimal friction and smooth operation.

#### Quick installation

The FPI valve body is made from UPVC. Its compatibility with PVC pipes will ensure quick setting and a stronger bond.

#### Engineered strength

Both the FPI Valve lid and handle are constructed from premium ABS plastic. The valve's steel components are constructed from high quality 316 grade stainless steel.

#### High pressure rating

The advanced design and construction of the FPI valves enable them to withstand a working pressure of 4 bar (58 psi).



### FPI VALVES ACTUATOR

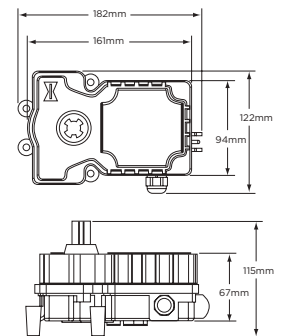
Part No.	Product Description
3652607	24VAC FPI Valve Actuator

For compatible valves please see below

- **Designed to operate 2-way and 3-way FPI valves**
- **Adjustable cam rotates diverter valves to multiple degree settings**
- **Provides automatic control of valves for water features, pool/spa combinations, solar collectors and pool cleaners**
- **Retro-fits into all pool/spa control systems offered in the market**

#### Specifications

Voltage	24 VAC
Amps	0.65
Torque	250 inch pounds (288 kilograms force centimeter)
Material	Housing - Noryl; Gears - steel
Grease	MoS2 Lubricant
Cord length	15' (457.2 cm)
Rated	Outdoor use



### ACTUATOR FPI VALVES - SUITABLE FOR USE WITH 3652607 VALVE ACTUATOR

Part No.	Product Description
148584	3 Way Valve Slip-fit Teflon impregnated seal 2"/2 1/2"
148564	2 Way Valve Slip-fit Teflon impregnated seal 2"/2 1/2"

The actuator FPI valve is specifically designed to be used in conjunction with the FPI valve actuator (3652607 above).

By simply unscrewing the thumb screw the valve handle can be removed and the valve actuator fitted.

# Valves

## TOP MOUNT MULTIPOINT VALVES 4 Bar

Part Number	Product Description:	SUITS FILTER
<b>All valves come complete with PVC quick connect unions and air-relief valve</b>		
<b>Top Mount MPV 1 1/2"</b>		
2280424	1 1/2" / 50mm clamp type 6"	Thermoplastic T400, T500 / Exotuf E400, E450
22804456EUM	1 1/2" / 50mm clamp type 6"	Exotuf E500, E600 / E500+ / E600+
22804416EUM	1 1/2" / 50mm threaded type	Micron S500, S600, S700 TMV18, TMV20, TMV24
2280443EUM	1 1/2" / 50mm collar type 10"	S600E & S700E Premium
<b>Top Mount MPV 2"</b>		
228053EURO	2" / 63mm 12-stud bolt-on type	Micron S602, S702, S750, S800, S900 / Micron SD750, SD900
228058EUM	2" / 63mm clamp type 8"	Exotuf E602+, E72+



Part code: 2280424



Part code:22804456EUM



Part code:22804416EUM



Part code: 2280443EUM



Part code: 228053EURO



Part code:228058EUM

# Valves

## SIDE MOUNT MULTIPOINT VALVES 4 Bar

Part No.	Product Description	Suits Filter
<b>All valves are complete with PVC quick connect unions &amp; air relief valve</b>		
<b>Side Mount MPV 1.5"</b>		
2290422	1 1/2" / 50mm MPV - Suits elbow pipe set 121557 (not included)	Exotuf Side E500-600 Micron SM400, SM500, SM600 Lacron LSR16, LSR18, LSR20, LSR24 Lacron Pure LSR20, LSR24 Lacron Bobbin LFW20, LFW24, LFW28 Finaflow MBF24
229042	1 1/2" / 50mm Bead Filter MPV	Pond Professional and Aquabiome Bead Filter
<b>Side Mount MPV 2"</b>		
2290512EURO	2" / 63mm MPV - Suits sweep elbow pipe set 121559 (not included)	Exotuf Side E602, E702 Micron SM602, SM700, SM750, SM900, SMD750, SMDD750 Lacron LSR30 (ADD OFFSET ADAPTOR W22259) Lacron BOBBIN LFW30
4104	2" / 63mm MPV - white - Suits sweep elbow pipe set 1215590 (not included)	Lacron LSR30 Lacron Pure LSR30 Finaflow MBF30
22905123	2" / 63mm MPV + rigid 90° pipe set- 214mm pitch (included)	Lacron LSR30
22905124	2" / 63mm MPV + rigid 90° pipe set- 300mm pitch (included)	Lacron LSR 36" (2" connections)
229052	2" / 63mm Bead Filter MPV	Pond Professional and Aquabiome Bead Filter

### Sweep Elbow Pipe Sets only - No MPV

121558	1 1/2" Waterco Sweep Elbow pipe set	Lacron LSR16, LSR18, LSR20, LSR24 (post 2004)
1215580	1 1/2" Waterco Sweep Elbow pipe set	Lacron LSR18-24 (pre 2004)
121559	2" Waterco Sweep Elbow pipe set	Micron SM700-900
1215590	2" Waterco Sweep Elbow pipe set	Lacron LSR30 (post 2004)

Please Note: 1.5" Lacon filters manufactured pre 2004 will have union adaptors (Barrel Unions) with flat gaskets. 1.5" Lacon filters manufactured post 2004 will have union adaptors (Barrel Unions) with 'O' rings



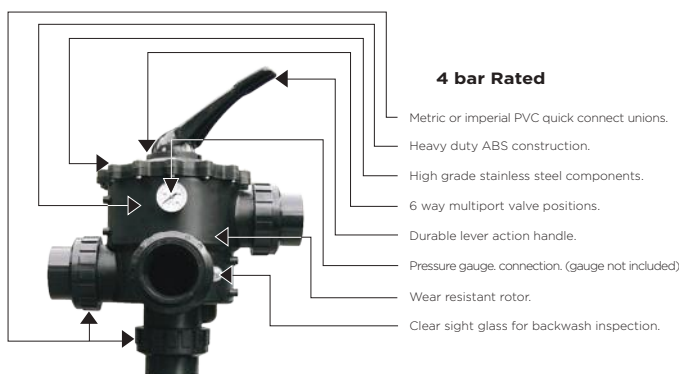
Part code: 2290422 / 121558



Part code: 2290512EURO



Part code: 4104



### Waterco Multiport Valves

Constructed from heavy duty ABS and GFPP, Waterco Multiport valves are designed for maximum performance and working pressures. Waterco's entire range of Multiport valves are engineered to withstand a working pressure of up to 4 bar (58 psi) with a test pressure of 6 bar (87 psi).

# Valves

## COMMERCIAL MULTIPOINT VALVES 4 Bar

Part Number	Product Description:	SUITS FILTER
<b>All valves come complete with PVC quick connect unions and air-relief valve</b>		
<b>Side Mount</b>		
2290501	2 1/2" / 75mm Side Mount MPV only	SM1050 - SM1200
22905040	2 1/2" / 75mm MPV with pipe kit	SM1050 - SM1200
2290900	3" / 90mm Side Mount MPV only	SM / SMD / SMDD900 - 1600 / SPDD1050 - 1200 / LSC36 - 48 / DBF 36 - 42
2290905	3" / 90mm MPV with pipe kit	SM / SMD900 - 1600
2291100	4" / 110mm Side Mount MPV only 4 Bar	SMD / SMDD1600 - 2000 / SPDD1400 - 1600
2291105	4" / 110mm MPV with pipe kit	SMD1600-2000



Part code: 2291100



Part code: 2290900



Part code: 2290905



Part code: 22905040

## Waterco Pressure Gauges

Part Number	Product Description:	SUITS FILTER
<b>Side Mount</b>		
62109	Pressure gauge back mount air filled - 400kPa / 60psi	Exotuf Exotuf Plus
W02703	Pressure gauge back mount air filled 400kPa	Fulflo / Trimline / Multicyclone
621632	Pressure gauge side mount air filled 400kPa	Micron / Opal / Aquabiome
621612	Pressure gauge bottom mount air filled 2.5Bar / 35psi	Lacron / Lacron Bead Filter
621621	Pressure gauge 110mm - 600kPa - Commercial filters	SMD / SMDD



# Multicyclone

WAFICACIOUE



# Multicyclone

# MULTI CYCLONE

## CENTRIFUGAL WATER FILTRATION



MC12

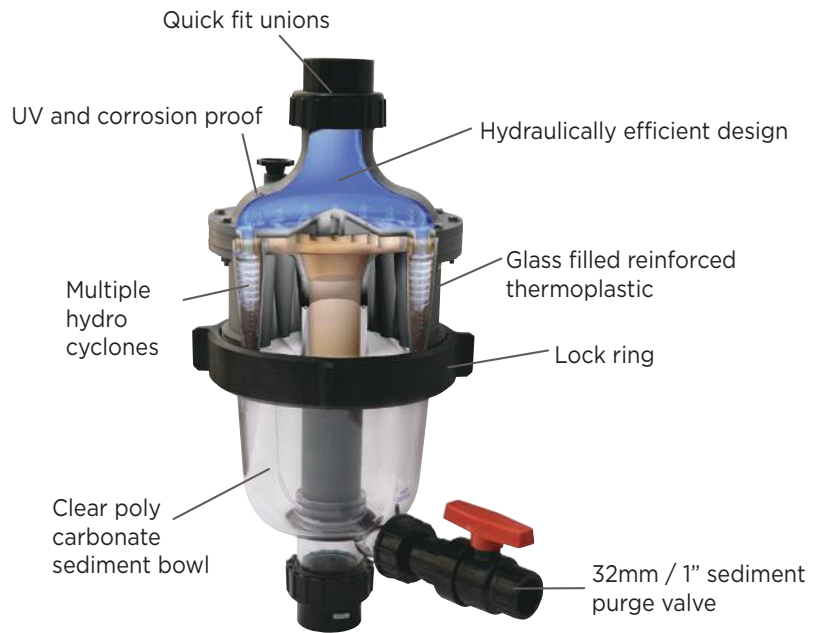


MC16

### WATERCO MULTICYCLONE FILTER

Part No.	Product Description	Nom. Size
200374	MultiCyclone MC12	1 1/2" / 50mm
200375	MultiCyclone MC16	2" / 63mm

For base stands please see page 21



Incoming water enters hydro-cyclones tangentially, generating a strong centrifugal effect. The sediment is spun out to the hydro-cyclone's wall, and then spirals down to the sediment chamber. The filtered water migrates towards the centre of the hydro cyclone where the flow reverses and spirals upwards through the outlet.

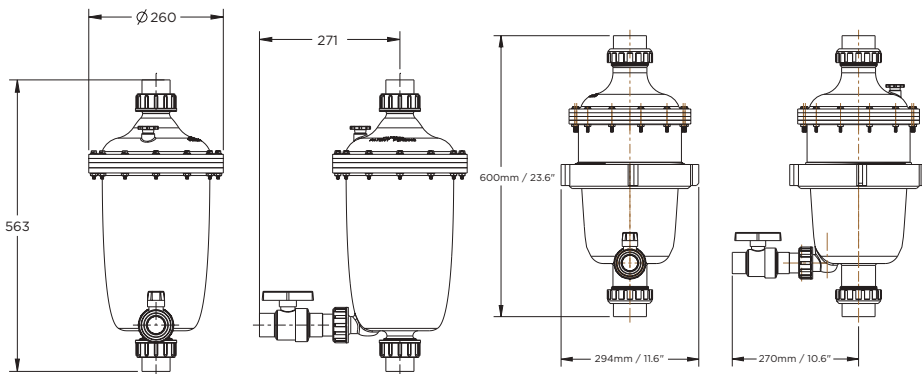
Accumulation of sediment can be visibly monitored through the MultiCyclone's clear sediment chamber.

The MultiCyclone is easily cleaned by opening the valve. Only 15 litres of water is discharged to cleanse the MultiCyclone.

MultiCyclone is easy to install and fits to most existing filtration systems. There are no moving parts to wear out and replace and it's backed by Waterco's 2 year warranty.

MC12

MC16



### Specifications

Model	Hydrocyclones	Connection Ports	Minimum Flow	Maximum Flow	Maximum Pressure
MultiCyclone MC12	12	1 1/2" / 50mm	2.4m <sup>3</sup> /hr	18m <sup>3</sup> /hr	350 kPa (50psi) 3.5 bar
MultiCyclone MC16	16	2" / 63mm	3m <sup>3</sup> /hr	30m <sup>3</sup> /hr	350 kPa (50psi) 3.5 bar



# Multicyclone



# MULTI CYCLONE PLUS

## CENTRIFUGAL WATER FILTRATION

### WATERCO MULTICYCLONE FILTER

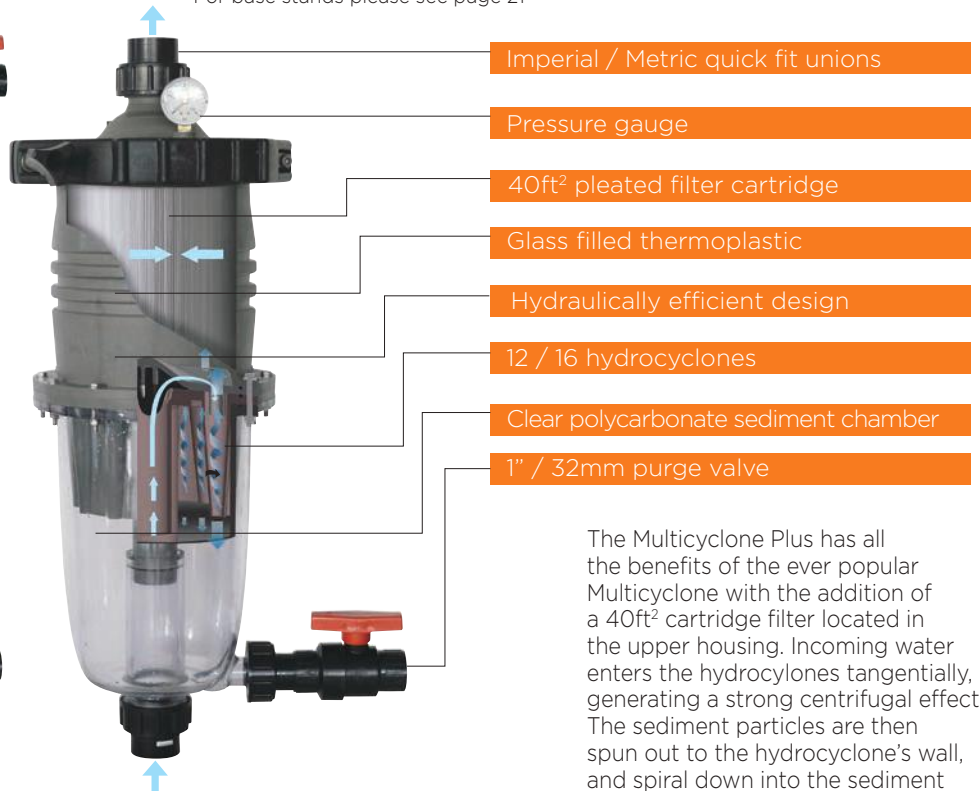
Part No.	Product Description	Nom. Size
200380	MultiCyclone Plus MC12 c/w 40sqft. Cartridge	1½" / 50mm
200381	MultiCyclone Plus MC16 c/w 40sqft. Cartridge	2" / 63mm
For replacement cartridges please see page 8 spares catalogue		
For base stands please see page 21		

Multi-cyclone

MC12 (40)

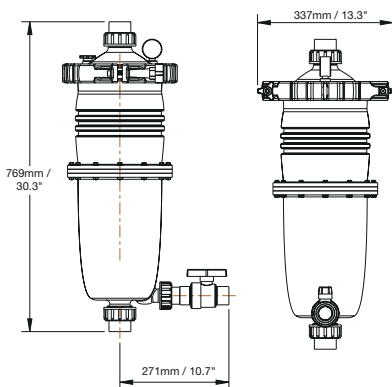


MC16 (40)

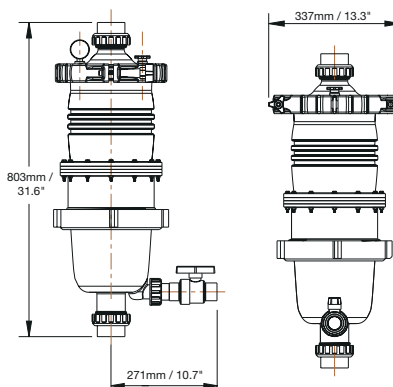


The Multicyclone Plus has all the benefits of the ever popular Multicyclone with the addition of a 40ft<sup>2</sup> cartridge filter located in the upper housing. Incoming water enters the hydrocyclones tangentially, generating a strong centrifugal effect. The sediment particles are then spun out to the hydrocyclone's wall, and spiral down into the sediment chamber. The filtered water then migrates towards the centre of the hydrocyclone where the water reverses and spirals upwards and through a 40ft<sup>2</sup> cartridge element before exiting the Multicyclone Plus. The addition of the cartridge element provides the highest standard of filtration possible with very little need for cleaning. The majority of the sediment is removed by the hydrocyclones. The sediment level can be visually monitored through the Multicyclones clear sediment bowl. The pressure gauge located at the top of the unit indicates when the cartridge requires cleaning. The cartridge can easily be removed by undoing the locking ring.

MultiCyclone 12 Plus



MultiCyclone 16 Plus



### Specifications

Model	Hydrocyclones	Connection Ports	Minimum Flow	Maximum Flow	Filter Area	Maximum Pool Size	Maximum Pressure
MultiCyclone Plus MC12	12	1½" / 50mm	2.4m <sup>3</sup> /h	9m <sup>3</sup> /h	40ft <sup>2</sup> / 3.7m <sup>2</sup>	55m <sup>3</sup>	350 kPa (50psi) 3.5 bar
MultiCyclone Plus MC16	16	2" / 63mm	3m <sup>3</sup> /h	9m <sup>3</sup> /h	40ft <sup>2</sup> / 3.7m <sup>2</sup>	80m <sup>3</sup>	350 kPa (50psi) 3.5 bar

# Multicyclone

# MULTI CYCLONE ULTRA

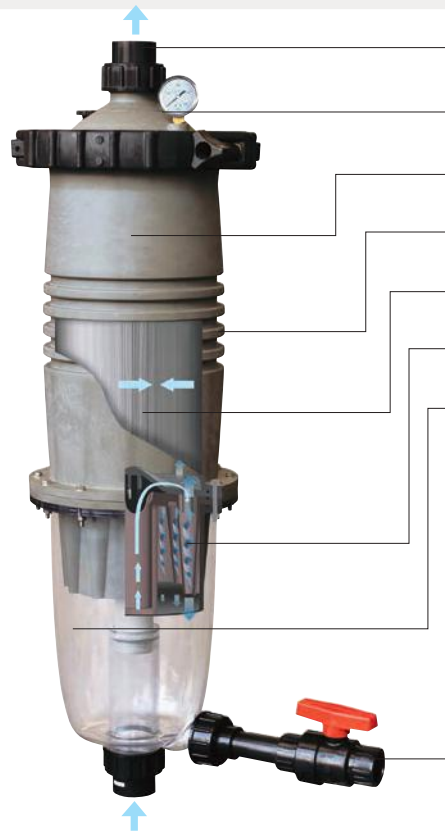
## CENTRIFUGAL WATER FILTRATION



MC12 (75)



MC16 (75)

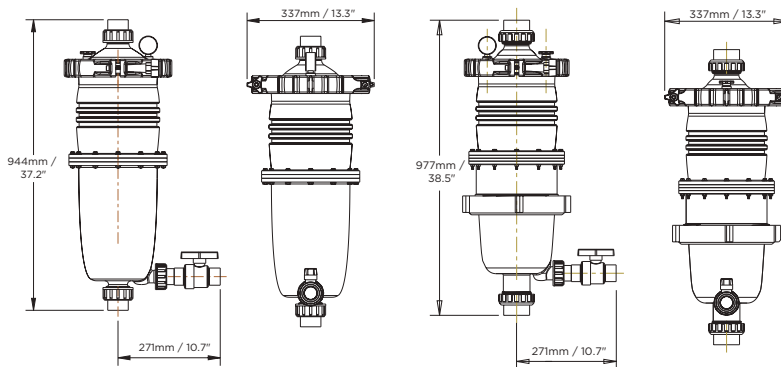


- Imperial / Metric quick fit unions
- Pressure gauge
- Hydraulically efficient design
- Glass filled thermoplastic
- 75ft<sup>2</sup> pleated filter cartridge
- 12 / 16 hydrocyclones
- Clear polycarbonate sediment chamber
- 1" / 32mm purge valve

The Multicyclone Ultra has all the benefits of the ever popular Multicyclone with the addition of a 75ft<sup>2</sup> cartridge filter located in the upper housing. Incoming water enters the hydrocyclones tangentially, generating a strong centrifugal effect. The sediment particles are then spun out to the hydrocyclone's wall, and spiral down into the sediment chamber. The filtered water then migrates towards the centre of the hydro cyclone where the water reverses and spirals upwards and through a 75ft<sup>2</sup> cartridge element before exiting the Multicyclone Ultra. The addition of the cartridge element provides the highest standard of filtration possible with very little need for cleaning. The majority of the sediment is removed by the hydrocyclones. The sediment level can be visually monitored through the Multicyclones clear sediment bowl. The pressure gauge located at the top of the unit indicates when the cartridge requires cleaning. The cartridge can easily be removed by undoing the locking ring.

MultiCyclone 12 Ultra

MultiCyclone 16 Ultra



### Specifications

Model	Hydrocyclones	Connection Ports	Minimum Flow	Maximum Flow	Filter Area	Maximum Pool Size	Maximum Pressure
MultiCyclone Ultra MC12	12	1 1/2" / 50mm	2.4m <sup>3</sup> /h	13.5m <sup>3</sup> /h	75ft <sup>2</sup> / 6.9 m <sup>2</sup>	81m <sup>3</sup>	3.5 bar 350 kPa (50psi)
MultiCyclone Ultra MC16	16	2" / 63mm	3m <sup>3</sup> /h	16.8m <sup>3</sup> /h	75ft <sup>2</sup> / 6.9 m <sup>2</sup>	100m <sup>3</sup>	3.5 bar 350 kPa (50psi)



# Multicyclone



**7 BAR**

# MULTI CYCLONE PRO

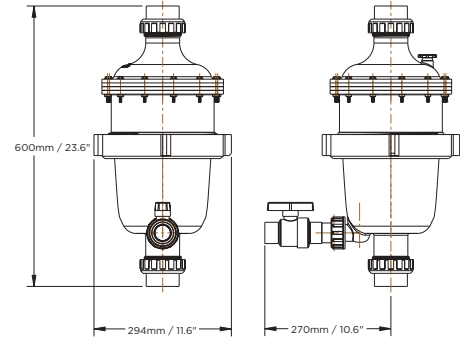
## INDUSTRIAL CENTRIFUGAL WATER FILTRATION

### WATERCO MULTICYCLONE FILTER

Part No.	Product Description	Nom. Size
200386	MultiCyclone Pro 7 bar pre-filter	2" / 63mm

The MultiCyclone Pro has all the benefits of the standard MultiCyclone model with the added benefit of being able to withstand higher pressure. Rated to 7 bar the MultiCyclone Pro is specifically designed for the more demanding industrial market.

Manufactured using UV and corrosion resistant glass-filled reinforced thermoplastic the MultiCyclone Pro offers all water saving benefits of our MultiCyclone technology together with the strength and durability necessary for an industrial installation.



### Specifications

Model	Hydrocyclones	Connection Ports	Minimum Flow	Maximum Flow	Maximum Pressure
MultiCyclone Pro	16	2" / 63mm	3m <sup>3</sup> /hr	30m <sup>3</sup> /hr	690 kPa (100psi) 7bar



MultiCyclone Base (Standard)  
Dimensions: 360mm (H) x 360mm (W) x 329mm (D).

### WATERCO MULTICYCLONE BASE STANDS

Part No.	Product Description
200372	MultiCyclone Base (Standard)
2003730	MultiCyclone Over Pump Stand (not suitable for MC Pro)

MultiCyclone base stands are suitable for:

- MultiCyclone 12 & 16
- MultiCyclone Plus 12 & 16
- MultiCyclone Ultra 12 & 16
- MultiCyclone Pro (standard base only)



Over Pump Stand  
Dimensions:  
795mm (H) x  
440mm (W) x  
350mm (D)



Multi-cyclone

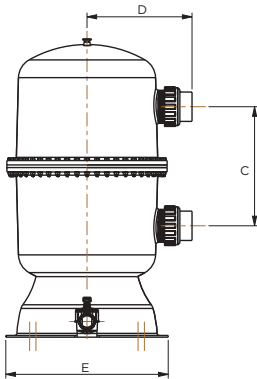
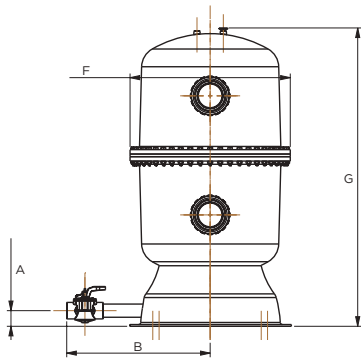
# Multicyclone

Multi-cyclone



The MultiCyclone Commercial 70XL is the latest addition to the MultiCyclone range. Although very different in appearance to the previously released models, this unit still has all the water and energy saving benefits of the standard MultiCyclone model. Specifically designed for commercial installations, the MultiCyclone Commercial XL70 has 4" / 110mm ports and uses 70 cyclones allowing it to function with a flow rate of 90m<sup>3</sup>/hr.

The debris can be seen through the clear sight glass and flushed out of the purge valve.

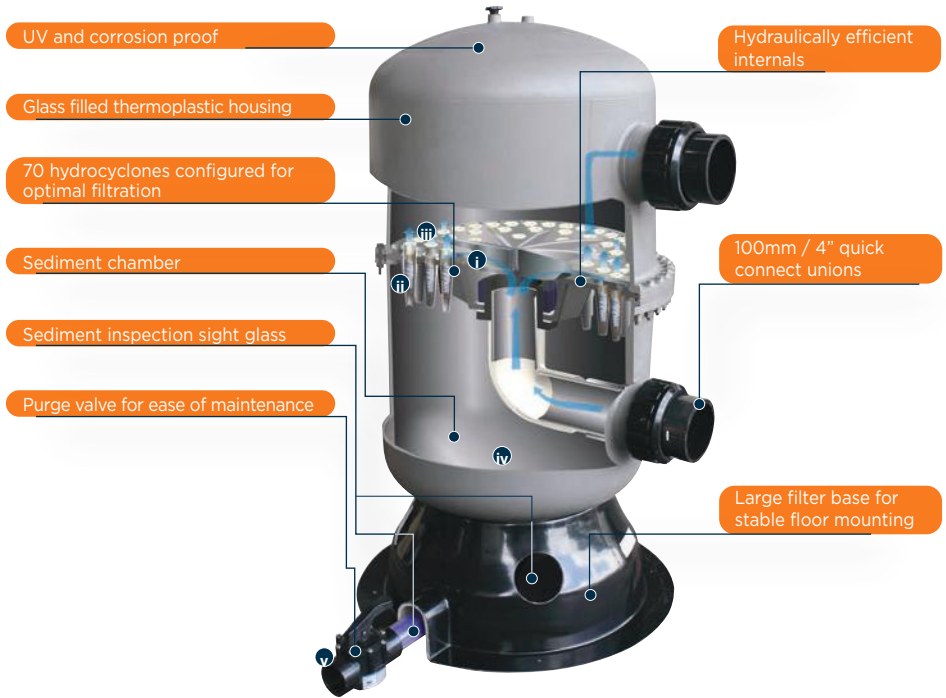


# MULTI CYCLONE 70 XL COMMERCIAL

## COMMERCIAL CENTRIFUGAL WATER FILTRATION

### WATERCO MULTICYCLONE FILTER

Part No.	Product Description	Nom. Size
200393	MultiCyclone 70 XL Commercial	4"/110mm



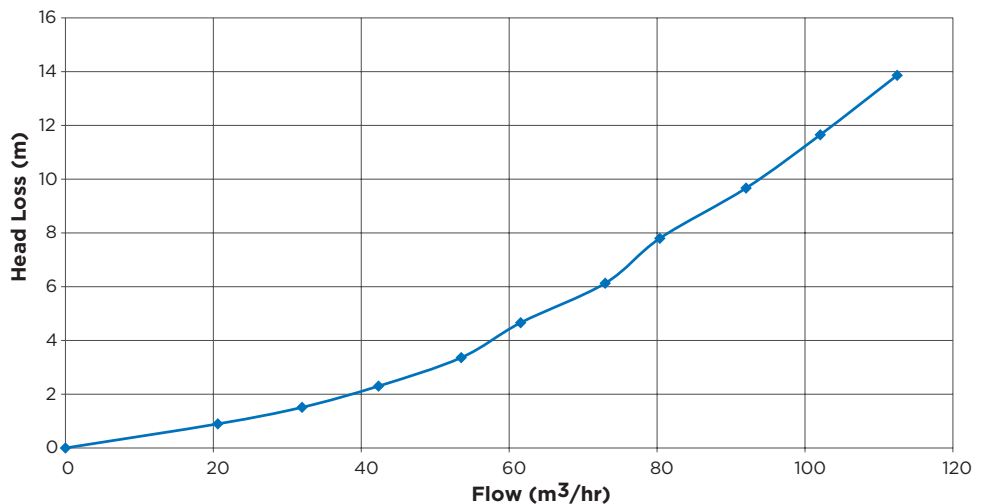
### Specifications

Model	Connection Ports	Minimum Flow	Maximum Flow	Maximum Pressure
MultiCyclone 70 XL Commercial	4" /110mm	36m <sup>3</sup> /hr	90m <sup>3</sup> /hr	3.5 bar 350 kPa (50psi)

### Dimensions (mm)

Model	A	B	C	D	E	F	G
MultiCyclone Commercial Pre-Filter	710	654	542.5	478.5	740	730	1359

### MultiCyclone 70XL Head Loss Curve



# Filters

Filters



**WATERCO**  
MICRON SIDE MOUNT SAND FILTER  
Model: SM500-8      Max. Working Pressure: 250 kPa

**WATERCO**  
water, the liquid of life

# General Filters



Filters

In a conventional lateral system “Dead legs” exist between the laterals and water flow is not optimised through the filter bed. Waterco’s “Fish Tail” lateral configuration eliminates any “dead legs” by improving water flow distribution through the filter bed. The lateral design significantly improves filtration and reduces backwash times, ultimately saving water. This system is now standard on the Micron range.



## Filament Wound Filters

Micron fibreglass filters embody the latest in fibreglass winding technology. Micron fibreglass vessels consist of an inner shell of fibreglass reinforced polyester resin wound over with fibreglass filament. Waterco’s digitally controlled filament winding machine faultlessly winds continuous strands of high quality fibreglass filament under controlled tension to create a seamless one-piece vessel with refined consistency and superior quality. There are no welds or seams or special tank linings which can corrode or electrolyse.



## WATERCO MICRON TOP MOUNT BOBBIN WOUND SAND FILTERS - 2.5 bar pressure rating

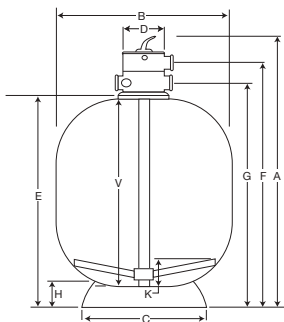
Part No.	Product Description	Nom. Size
	With Multiport Valve & Barrel Unions. MPV supplied with both metric and imperial quick connect unions	
220122DP	S500 c/w 1 1/2" MPV	20"
220124DP	S600 c/w 1 1/2" MPV	24"
22012625IDP	S602 c/w 2" MPV	24"
220128DP	S700 c/w 1 1/2" MPV	28"
220129DP	S702 c/w 2" MPV	28"
220130DP	S750 c/w 2" MPV	30"
220132DP	S800 c/w 2" MPV	32"
220136DP	S900 c/w 2" MPV	36"

## Technical Specification

Model No.	Inner Dia. (mm)	Bed Depth (mm)	Filter Area (m <sup>2</sup> )	Valve Size (in/mm)	Sand 16/30 (Kg)	EcoPure (Kg)	Glass Pearls (Kg)	Dom. flow (m <sup>3</sup> /hr)	Max. Pool Size (m <sup>3</sup> )	Com. flow (m <sup>3</sup> /hr)	Min. Pool Size (m <sup>3</sup> )
S500	500	280	0.20	1.5/50	95	78	105	9.4	57	7.1	28
S600	600	295	0.28	1.5/50	155	127	171	13.6	83	10.2	41
S602	600	295	0.28	2/63	155	127	171	13.6	83	10.2	41
S700	700	330	0.38	1.5/50	230	189	254	18.5	115	13.9	56
S702	700	340	0.38	2/63	225	185	249	18.5	115	13.9	56
S750	750	340	0.44	2/63	260	214	288	21.2	132	15.9	64
S800	800	420	0.50	2/63	340	279	376	24.1	144	18.1	72
S900	900	420	0.64	2/63	470	386	520	30.5	183	22.9	92

## Dimension (mm)

Model	A	B	C	D	E	F	G	H	V	K
S500	864	505	484	180	625	731	672	88	525	94
S600	968	622	484	180	721	832	778	88	620	136
S602	1085	622	484	220	735	905	778	88	620	143
S700	932	723	620	180	692	801	743	90	650	139
S702	1072	723	620	220	722	892	792	90	652	122
S750	1217	772	620	220	867	1037	937	90	773	127
S800	1157	810	620	220	807	977	877	90	713	111
S900	1234	910	620	220	884	1054	954	90	785	163



CLIMATECARE  
CERTIFIED

\* in conjunction with  
Glass Pearls media

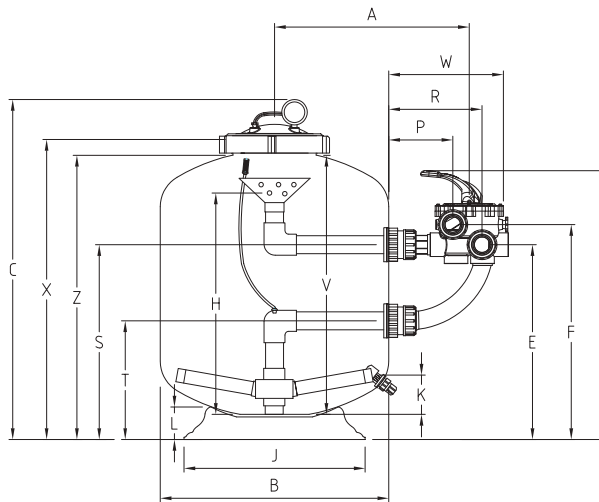
# General Filters



## WATERCO MICRON SIDE MOUNT BOBBIN WOUND SAND FILTERS - 2.5 bar pressure rating

Part No.	Product Description	Nom. Size
Filters with 8" neck lock ring c/w Multiport Valve & Barrel Unions. MPV supplied with both metric and imperial quick connect unions.		
22000820EU	SM500 c/w 1 1/2" MPV	20"
22000824EU	SM600 c/w 1 1/2" MPV	24"
22005824EU	SM602 c/w 2" MPV	24"
22000828EU	SM700 c/w 2" MPV	28"
22000830EU	SM750 c/w 2" MPV	30"
22000836EU	SM900 c/w 2" MPV	36"

See commercial section for larger size Side Mount Filters up to 2.5m (98")



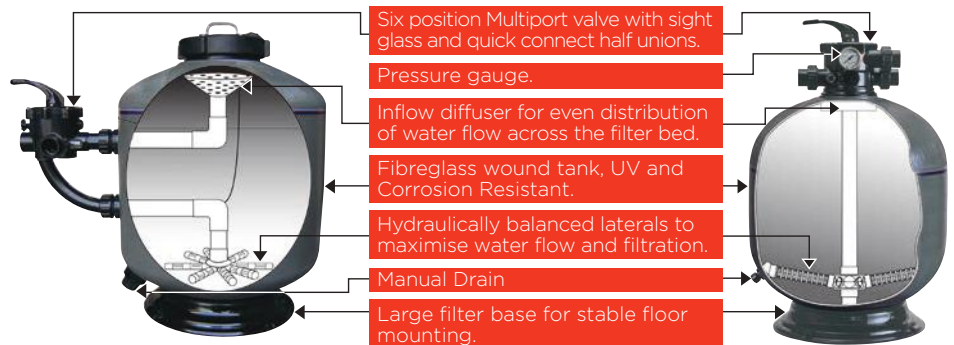
### Technical Specification

Model No.	Inner Dia. (mm)	Bed Depth (mm)	Filter Area (m <sup>2</sup> )	Valve Size (r/mm)	Sand 16/30 (Kg)	EcoPure (Kg)	Glass Pearls (Kg)	Dom. flow (m <sup>3</sup> /hr)	Max. Pool Size (m <sup>2</sup> )	Com. flow (m <sup>3</sup> /hr)	Min. Pool Size (m <sup>2</sup> )
SM500	500	290	0.20	1.5/50	95	78	105	9.4	56	7.1	43.2
SM600	600	360	0.28	1.5/50	165	136	183	13.6	81	10.2	60.5
SM602	600	360	0.28	2/63	165	136	183	13.6	81	10.2	60.5
SM700	700	380	0.38	2/63	197	197	265	18.5	111	13.9	82.1
SM750	750	400	0.44	2/63	234	234	315	21.2	127	15.9	95.0
SM900	900	440	0.64	2/63	440	362	487	30.5	183	22.9	138.2

### Dimension (mm)

Model	A	B	C	W	R	P	E	F	K	H	L	X	Y	Z	J	S	T	V
SM500	475	520	846	306	249	153	594	649	100	585	70	743	790	715	445	485	282	652
SM600	526	622	906	306	249	153	629	684	105	601	88	804	825	778	540	520	317	690
SM602	526	622	906	306	249	171	520	574	105	601	87	873	718	800	484	520	317	690
SM700	587	719	981	334	262	178	520	601	120	685	90	905	750	835	620	520	317	728
SM750	613	772	976	334	262	178	593	674	113	652	120	914	823	892	678	593	390	763
SM900	689	923	1086	334	262	178	656	737	113	750	120	1030	886	1011	678	656	453	860

### Waterco Micron Top and Sidemount Fibreglass Filters



Waterco Side Mount Fibreglass Filter

Micron Top Mount Fibreglass Filter



CLIMATECARE CERTIFIED

\* in conjunction with Glass Pearls media

Filters



# General Filters



Filters

## LACRON SUREFLOW LSR - SIDE MOUNT SAND FILTER c/w MPV - 2.5 bar pressure rating

Part No.	Product Description	Nom. Size
With Multiport Valve - Unions & Pressure Gauge		
222018ACW	LSR - 18 c/w 1 1/2" MPV (50mm)	18"
222020ACW	LSR - 20 c/w 1 1/2" MPV (50mm)	20"
222024ACW	LSR - 24 c/w 1 1/2" MPV (50mm)	24"
222030ACW	LSR - 30 c/w 2" MPV (63mm)	30"

## LACRON SUREFLOW LSR - No MPV - 2.5 bar pressure rating

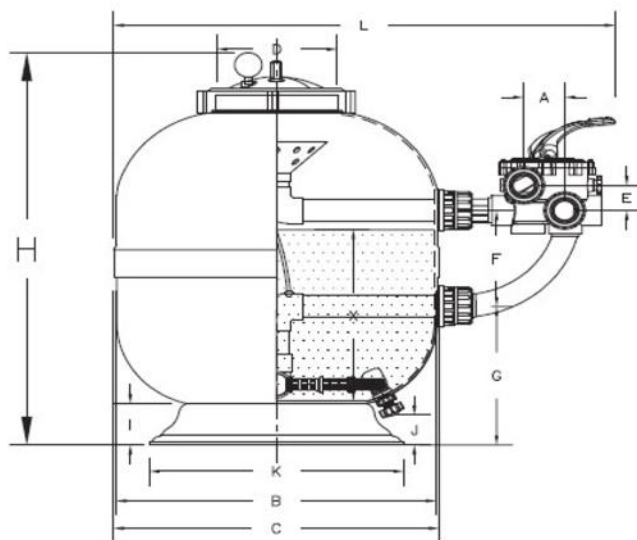
Part No.	Product Description	Nom. Size
With Connecting Pipes & Pressure Gauge - No MPV		
222018N	LSR - 18 1 1/2" Connections (50mm) - No MPV	18"
222020N	LSR - 20 1 1/2" Connections (50mm) - No MPV	20"
222024N	LSR - 24 1 1/2" Connections (50mm) - No MPV	24"
222030N	LSR - 30 2" Connections (63mm) - No MPV	30"
222361	LSR - 36 2" Connections (63mm) - - No MPV - No pipeset	36"

## Technical Specification

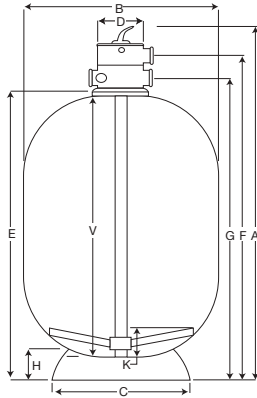
Filter model	Tank Diameter (mm)	Bed Depth (mm)	Filter Area (m <sup>2</sup> )	Valve Size (inch/mm)	Pea Gravel (kg)	Sand (kg)	EcoPure (Kg)	Glass Pearl (Kg)	Max. flow (m <sup>3</sup> /hr)	Max. Pool size (m <sup>3</sup> )
LSR-18	460	350	0.17	1.5/50	NR	75	62	83	8.5	50
LSR-20	500	365	0.20	1.5/50	NR	100	82	111	10	60
LSR-24	610	380	0.30	1.5/50	NR	125	103	138	14.5	85
LSR-30	760	400	0.46	2/63	50	150	125	165	22.5	130
LSR-36	900	500	0.66	2/63	75	300	225	330	27	160

## Dimension (mm)

Model	A	B	C	D	E	F	G	H	I	J	K	L	X
LSR-18	78	457	475	270	54	204	240	763	70	65	372	795	350
LSR-20	78	512	520	270	54	204	265	802	70	60	372	840	365
LSR-24	78	610	625	270	54	204	295	836	88	70	485	945	380
LSR-30	70	762	784	270	81	214	290	876	90	70	620	1100	400
LSR-36	128	910	925	270	110	300	303	1072	80	65	735	1385	500



# General Filters



## LACRON SUREFLOW TMV - TOP MOUNT SAND FILTER 2.5 bar Pressure rating

Part No.	Product Description	Nom. Size
	MPV supplied with both metric and imperial quick connect unions, pressure gauge and air relief valve	
2220180	TMV-18 c/w MPV 1/2" (50mm)	18"
2220200	TMV-20 c/w MPV 1/2" (50mm)	20"
2220240	TMV-24 c/w MPV 1/2" (50mm)	24"

### Technical Specification

Filter model	Tank Diameter (mm)	Bed Depth (mm)	Filter Area (m <sup>2</sup> )	Valve Size (inch/mm)	Pea Gravel (kg)	Sand (kg)	EcoPure (Kg)	Glass Pearl (Kg)	Max. flow (m <sup>3</sup> /hr)	Max. Pool size (m <sup>3</sup> )
TMV-18	460	350	0.17	1.5/50	NR	75	62	83	8.5	50
TMV-20	500	365	0.20	1.5/50	NR	100	82	111	10.0	60
TMV-24	610	380	0.30	1.5/50	NR	125	103	138	14.5	85

### Dimension (mm)

Model	A	B	C	D	E	F	G	H	V	K
TMV-18	875	457	372	180	635	745	687	70	570	100
TMV-20	926	512	372	180	688	798	740	70	585	100
TMV-24	972	610	485	180	734	844	786	88	660	100

## LACRON PURE LSR - SIDE MOUNT SAND FILTER c/w MPV - 2.5 bar pressure rating

Part No.	Product Description	Nom. Size
	With Multiport Valve - Unions & Pressure Gauge	
2220208L	LSR Pure - 20 c/w 1/2" (50mm) MPV	20"
2220248L	LSR Pure - 24 c/w 1/2" (50mm) MPV	24"
2220308L	LSR Pure - 30 c/w 2" (63mm) MPV	30"

### Technical Specification

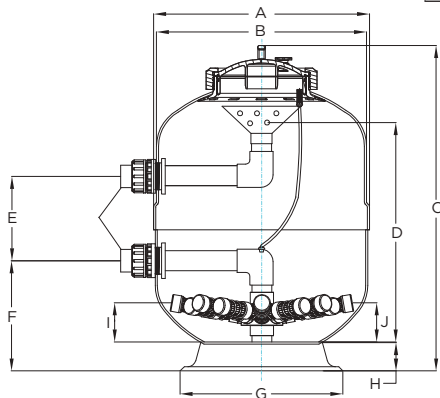
Filter model	Tank Diameter (mm)	Bed Depth (mm)	Filter Area (m <sup>2</sup> )	Valve Size (inch/mm)	Pea Gravel (kg)	Sand (kg)	EcoPure (Kg)	Glass Pearl (Kg)	Max. flow (m <sup>3</sup> /hr)	Max. Pool size (m <sup>3</sup> )
LSR Pure 20	500	365	0.20	1.5/50	NR	100	82	111	10	60
LSR Pure 24	610	380	0.30	1.5/50	NR	125	103	138	14.5	85
LSR Pure 30	760	400	0.46	2/63	20	200	164	221	22.5	130

### Dimension (mm)

Model	A	B	C	D	E	F	G	H	I	J	X	Z
LSR Pure 20	875	512	802	529	203	265	372	70	95	95	784	710
LSR Pure 24	926	610	836	545	203	220	485	88	94	94	745	745
LSR Pure 30	972	762	876	564	214	290	620	90	115	115	785	785



- Optional Sight Glass (P.O.A.)
- Dual drain plug
- Large clear lid and lock ring
- Fish tail lateral design



Filters

# General Filters



Filters



Manufactured from the highest grade of non-corrosive materials and applying precision plastic injection moulding techniques, Exotuf filters are built for long lasting performance.

## WATERCO EXOTUF THERMOPLASTIC TOP MOUNT SAND FILTERS

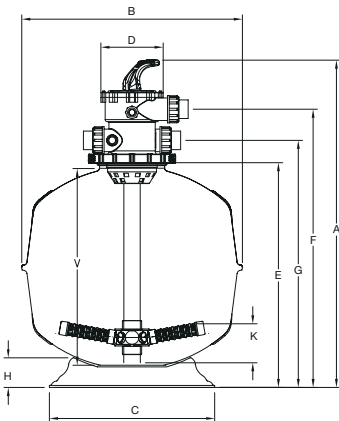
Part No.	Product Description	
	With 1/2" Clamp Style Multiport Valve & Barrel Unions MPV supplied with both 50mm metric and 1/2" imperial quick connect unions.	
2260166DP	E400 c/w 1/2" (50mm) valve (2.5bar rated)	16"
2260186DP	E450 c/w 1/2" (50mm) valve (2.5bar rated)	18"
2260206DP	E500 c/w 1/2" (50mm) valve (3.5bar rated)	20"
2260246DP	E600 c/w 1/2" (50mm) valve (3.5bar rated)	24"

## Technical Specification

Model No.	Valve Size	Inner Dia.	Filter Area	Bed Depth	Max. Flow*	Max. Pool Size	Min. Backwash	Sand 16/30	EcoPure Glass	Glass Pearl
	("/mm)	(mm)	(sq. m <sup>2</sup> )	(mm)	(m <sup>3</sup> /h)	(m <sup>3</sup> )	(m <sup>3</sup> /h)	(kg)	(kg)	(kg)
E400	1 1/2 / 50	400	0.13	160	6	36	5.6	40	30	44
E450	1 1/2 / 50	450	0.16	250	7	45	7.1	75	60	83
E500	1 1/2 / 50	500	0.20	250	8	57	8.8	90	70	100
E600	1 1/2 / 50	600	0.28	250	14	81	11.5	130	105	140

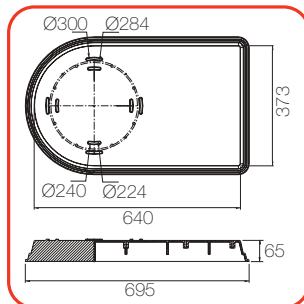
## Dimension (mm)

Model	Valve Size	A	B	C	D	E	F	G	H	V	K
E400	1 1/2" / 50mm	775	460	280	180	530	642	584	34	481	89
E450	1 1/2" / 50mm	840	504	280	180	595	707	649	30	530	112
E500	1 1/2" / 50mm	905	550	484	182	618	762	671	88	522	108
E600	1 1/2" / 50mm	942	650	484	182	655	799	708	88	546	115

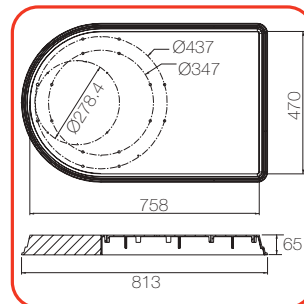


## MOULDED SKID BASES - (both sizes suit all Cartridge Filters)

Part No.	Product Description
455567	Moulded Skid Base suit E400, E450
455573	Moulded Skid base suit E500 & E600



(to suit E400, E450)



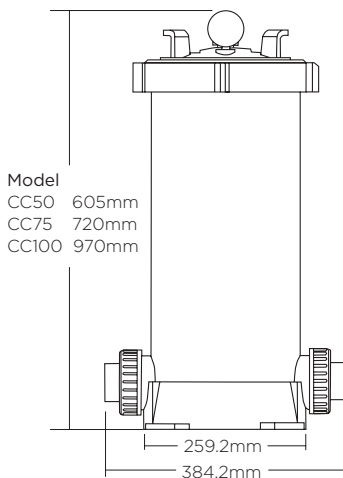
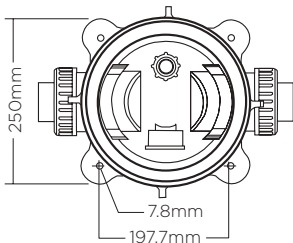
(to suit E500, E600)

# General Filters



Trimline cartridge filters are compact, economical filters designed to effectively filter out suspended solids from your pool or body of water.

Trimline cartridge filters utilise a specially treated synthetic fabric which is pleated into a cartridge. Cartridge filters are ideal for applications where backwashing may not be practical.



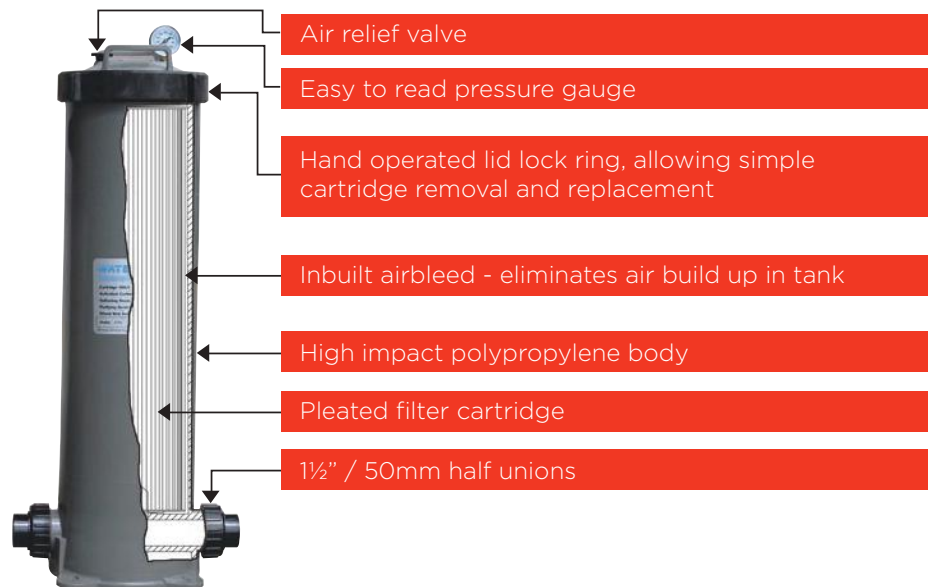
## WATERCO TRIMLINE CARTRIDGE FILTERS - 3.5 bar pressure rating

Part No.	Product Description	Nom. Size
	Filter supplied with both 1/2" imperial and 50mm metric quick connect unions.	
21450EU	Trimline CC50 incl. cartridge	50 sq.ft
21475EU	Trimline CC75 incl. cartridge	75 sq.ft
214100EU	Trimline CC100 incl. cartridge	100 sq.ft

N.B. For replacement cartridges please see p.14 spares catalogue

## Specifications

Model	Maximum Area m <sup>2</sup>	Dom. flow m <sup>3</sup> /hr	Working Pressure		Max. Pool Size m <sup>3</sup>	Overall Weight kg
			bar	psi		
CC50	4.6	11.4	3.5	50	68.4	8.6
CC75	6.9	16.8	3.5	50	100.8	10.5
CC100	9.3	22.8	3.5	50	136.8	14.0



## Trimline Pleated Filter Cartridge

The Trimline pleated filter cartridges are fabricated from pleated reusable polyester fabric. The media has been pleated to provide 4.6 to 9.3 square metres of surface area in order to maximise the cartridge dirt holding capacity and extend the time between cleaning.

**Material :** Polyester Fabric material, Vinyl Plastisol end caps and a Polypropylene core

**Operating Temperature :** 4 °C to 50 °C

**Maximum Pressure Drop :** 0.2 bar/3psi

## Simple Maintenance

The filter cartridge is easily cleaned by hosing the pleats with a standard garden hose.



# General Filters



Filters

Constructed from high impact polypropylene and designed for easy maintenance, Opal XL cartridge filters house an extra large filter cartridge to maximise its dirt holding capacity and minimise filter maintenance, leading to significant water savings.

- The screw-down lid requires no clamps or tools for simple cartridge removal and replacement
- 2" / 63mm inlet and outlet ports for maximum flow and minimum back pressure
- Heavy duty extra large pleated filter cartridge

## OPAL XL CARTRIDGE FILTER 3.5 bar pressure rating

Part No.	Product Description	Nom. Size
217225EUM	Opal XL Cartridge Filter 225	225 sq.ft
217270EUM	Opal XL Cartridge Filter 270	270 sq.ft

N.B. For replacement cartridges please see p.16 spares catalogue

## Specifications

Model	Filter Area		Max Flow Rate	Working Pressure		Max Pool Size
	(m <sup>2</sup> )	(ft <sup>2</sup> )	m <sup>3</sup> /h	bar	psi	m <sup>3</sup>
Opal 225	20.9	225	30	3.5	50	183
Opal 270	25.1	270	30	3.5	50	183

## Extra Large Filter Cartridge

Opal XL filter cartridges are fabricated from pleated reusable polyester fabric. The XL larger size cartridge has been pleated to provide 225ft<sup>2</sup> (20.9m<sup>2</sup>) to 270ft<sup>2</sup> (25.1m<sup>2</sup>) of surface area maximising its dirt holding capacity and minimising filter maintenance.

**Material :** Polyester Fabric material, Vinyl Plastisol end caps and a Polypropylene core

**Operating Temperature :** 4°C to 50°C

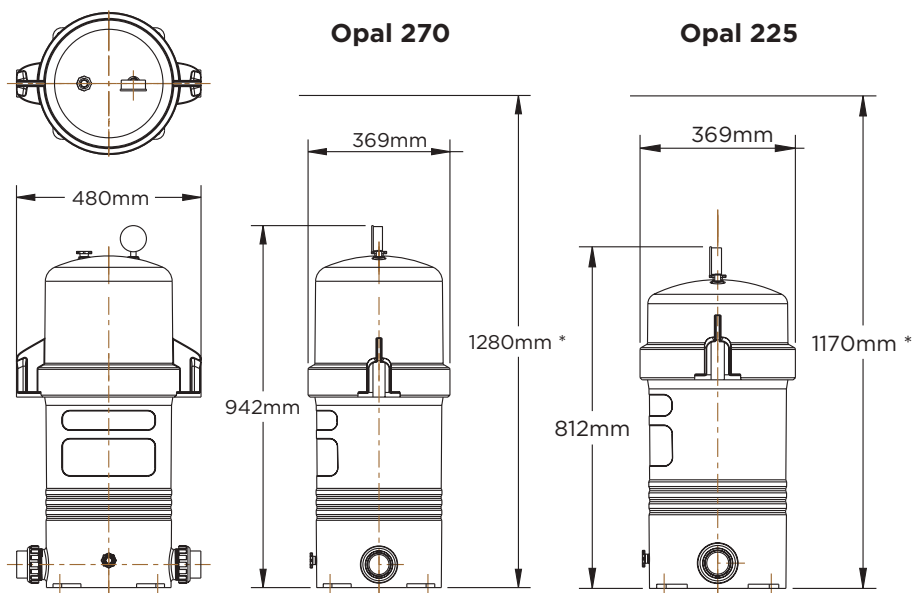
**Maximum Pressure Drop :** 0.2 bar/3 psi



## Simple Maintenance

The filter cartridge is easily cleaned by hosing the pleats with a standard garden hose.

## Dimensions



\* Minimum Clearance Height to Remove Cartridge

# General Filters



Fulflo Tri-cartridge filter houses three individual pleated filter cartridges, to maximise its dirt holding capacity and minimise filter maintenance, leading to significant water savings.

Built to endure the rigours and pressures of the outdoor environment, Fulflo Tri-Cartridge Filters are made from specially engineered polymers that have been tested for durability and strength.

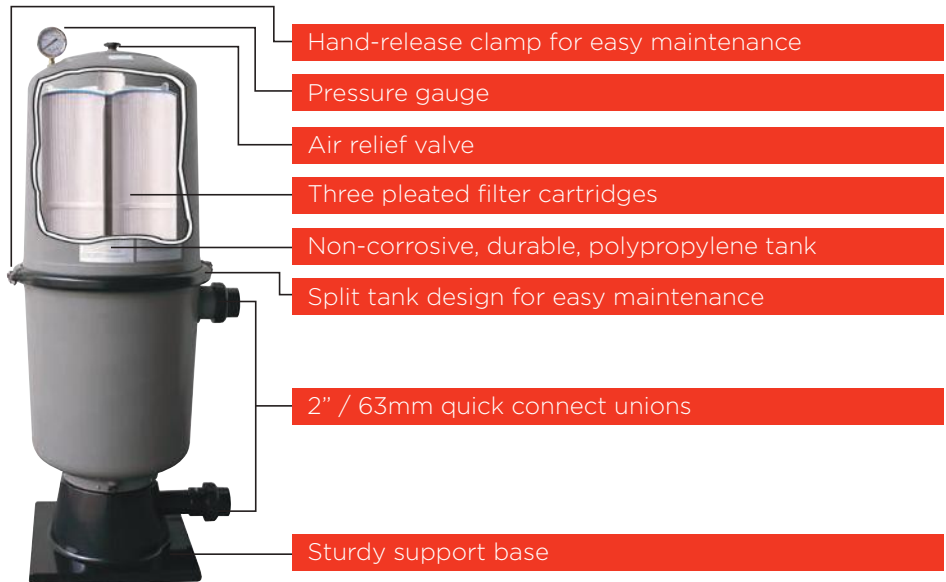
### Maintenance

The Tri-Cartridge Filter's split tank design incorporates an easy to use clamp that requires no additional tools for simple cartridge removal and replacement, allowing for quick access to the filter cartridge without disturbing the piping and connections.

## WATERCO TRI-CARTRIDGE FILTERS

Part No.	Product Description	Nom. Size
2165300EU	Fulflo Tri-Cartridge Filter C300	300 sq ft
2165400EU	Fulflo Tri-Cartridge Filter C400	400 sq ft
2165500EU	Fulflo Tri-Cartridge Filter C500	500 sq ft

N.B. For replacement cartridges please see p.17 spares catalogue



Filters

### Filter Cartridge

At the heart of the Fulflo Tri-Cartridge Filters are three individual filter cartridges, constructed from heavy duty, easy-to-clean polyester fabric. The cartridge pleats create a large surface area providing a high dirt holding capacity, thus decreasing its cleaning frequency.



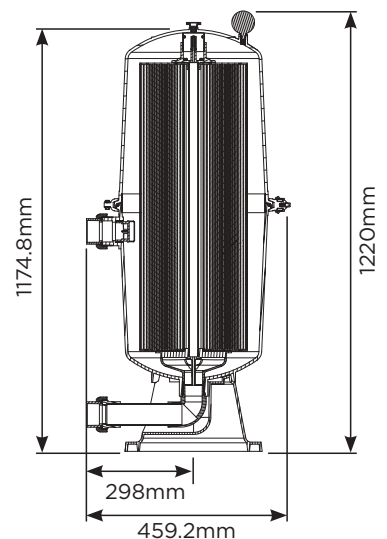
**Material :** Polyester Fabric material, Vinyl Plastisol end caps and a Polypropylene core

**Operating Temperature :** 4°C to 50°C

**Maximum Pressure Drop :** 0.2 bar/3psi

### Specifications

Model No.	Filter Area	Filter Area	Design FlowRate	Max. Pool Size	Max. Working	
	(sq.ft.)	(m <sup>2</sup> )			(Bar)	(psi)
2165300	300	28	26	152	3.5	50
2165400	400	37	31	186	3.5	50
2165500	500	46	31	186	3.5	50





# General Filters



## LEAF TRAPPER

Part No.	Product Description	Nom. Size
3761053EUM	Trimline C50 Leaf Trapper <i>(please note: filter bags must be ordered separately if required)</i>	2"/63mm
36519265	Filter Bag (800 Micron) <i>(please note: other bags available, see p106 for details &amp; pricing)</i>	

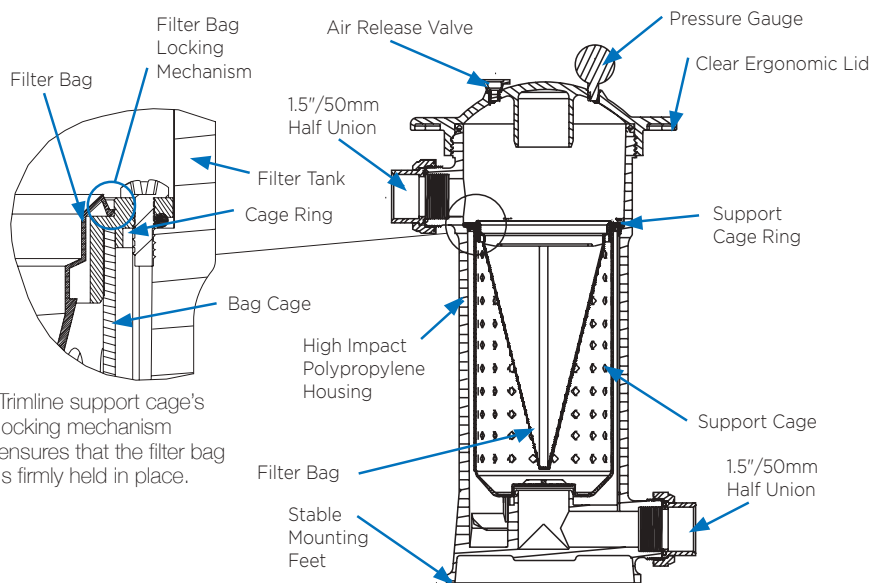
Waterco has developed a Leaf Trapper that incorporates a high quality and durable bag filter that enables high volume leaf & debris capture. The lid is clear for quick visual inspection of the Leaf Trapper's filter bag. The C50 Leaf Trapper is ideal for installation in areas of high leaf & debris collection prior to a pool's finer filtration system. The C50 Leaf Trapper is compact & economical, perfect for negative edge pools and infloor cleaning systems.

### Leaf Trapper

The Leaf Trapper housings are constructed from high impact polypropylene and a clear polycarbonate lid, providing a strong and durable filter. The design of the ergonomic screw down lid enables simple hand operation and quick filter bag cleaning or replacement.

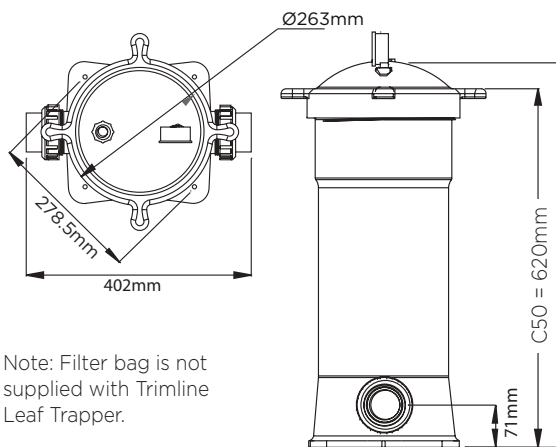
### Leaf Trapper Filter Bag

Its large filter bag is made of high strength and durable nylon, plus it's easy to clean. The 800 micron bag allows a full flow of water with minimal resistance, and it has a holding capacity of approximately four times the usual leaf and debris holding capacity of a standard pool skimmer leaf basket.



Trimline support cage's locking mechanism ensures that the filter bag is firmly held in place.

### Dimension



Note: Filter bag is not supplied with Trimline Leaf Trapper.

### Specification

LEAF TRAPPER SPECIFICATIONS		
Maximum flow rate	20.4m <sup>3</sup> /hr	75gpm
Required clearance for servicing	530mm	20.9"
Maximum pressure	350kPa	50psi
Maximum temperature	40°C	100°F

FILTER BAG SPECIFICATIONS		
Surface area	0.17m <sup>2</sup>	1.85ft <sup>2</sup>
Diameter	178mm	7"
Length	419mm	16.5"

FILTER BAG PRODUCT CODE		
36519265	Manufactured with nylon	800 microns

# Commercial Filters

Commercial  
Filters



**WATERCO**  
water, the liquid of life

# Commercial Filters

Commercial Filters



## Micron fibreglass filters

Micron fibreglass filters embody the latest in fibreglass winding technology. Waterco's digitally controlled filament winding machine faultlessly winds continuous strands of high quality fibreglass filament under controlled tension to create a seamless one-piece vessel with refined consistency and superior quality. There are no welds or seams or special tank linings which can corrode or electrolyse.

Waterco's quality control procedures ensure that the structural requisites of the product are achieved at every stage of production. This results in a 100% compliance of the end product with the specifications.

The design and the manufacturing process of the whole vessel, utilising the latest filament winding machines, incorporation of non-metallic fittings plus reinforced manhole openings with proprietary methods, is unique to Waterco.

### Why fibreglass instead of steel?

Using non-metallic components fibreglass pressure tanks are rapidly replacing steel tanks in numerous applications. Fibreglass vessels offer several advantages in comparison with steel vessels.

Fibreglass vessels have a mechanical and chemical resistance superior to steel. Fibreglass tanks do not rust or corrode and are able to withstand damage from many types of water treatment chemicals.



Corroded metal fabricated filters



Fibreglass SMDD filters

Fibreglass vessels weigh only one third of the weight of steel vessels while maintaining the same level of strength. Their weight makes them easier to ship to the job site and easier to install.

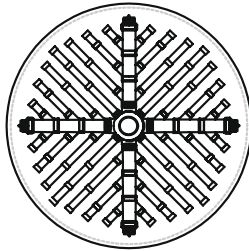
Once installed there are virtually no maintenance or repairs required. Steel vessels require the anti-corrosive coating to be maintained periodically and certified welders to make repairs to the lining with expensive epoxy coating.



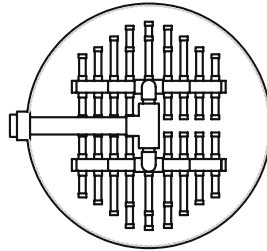
# Commercial Filters

## Micron “Fish Tail” laterals

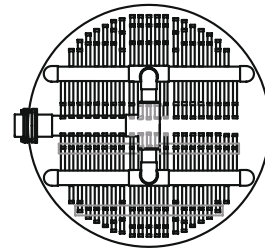
Conventional laterals are not suitable for larger sized commercial filters. “Dead legs” exist between the laterals and water flow is not optimised through the filter bed. Waterco’s “Fish Tail” lateral configuration eliminates any “dead legs” by improving water flow distribution through the filter bed.



Commercial vertical filters with 2 1/2” / 75mm ports



Commercial vertical filters with 3” / 90mm ports



Commercial vertical filters with 4”/110mm, 6”/160mm, 8”/215mm ports



### Automatic Air vent fitted to SMDD/ SPDD Micron filters as standard:

The combination air valve has the features of both an air release valve and an air & vacuum valve. The air release component of the combination air valve was designed to automatically release small pockets of air into the atmosphere as they accumulate along a pipeline or piping system when it is full and operating under pressure. The air & vacuum component was designed to automatically discharge or intake large volumes of air in during the filling or draining of a pipeline or piping system. This valve will open to relieve negative pressures whenever water column separation occurs.

#### Main Features

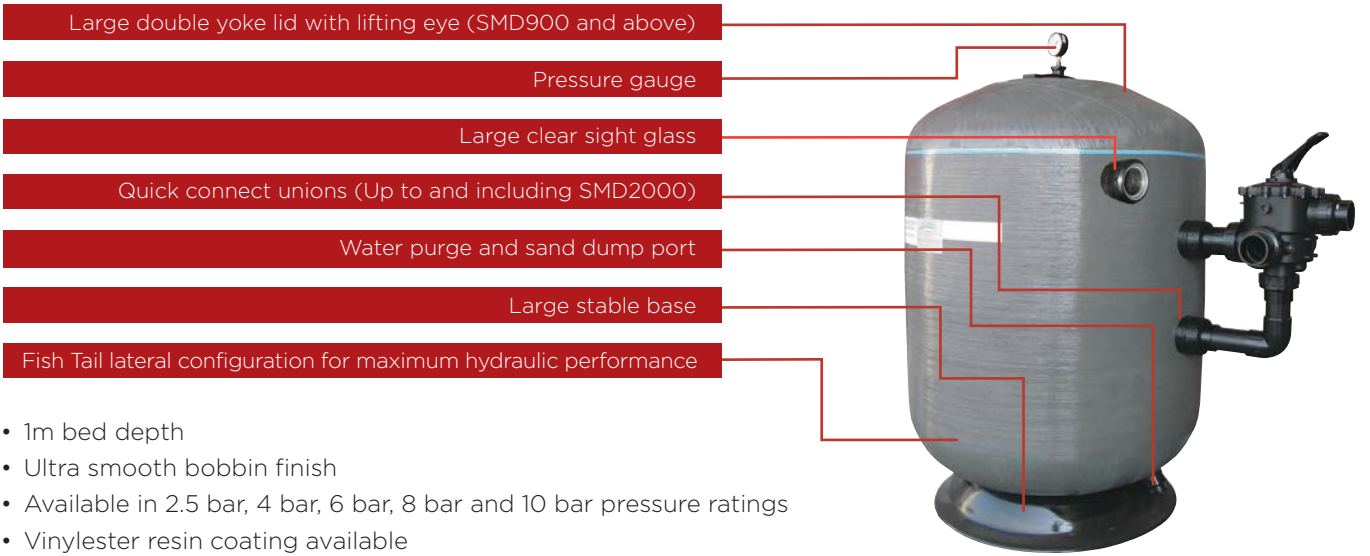
- Working pressure range: **DG-10** 0.1 - 10 bar. **D-040** 0.2-16 bar
- Testing pressure: **DG-10** 16 bar. **D-040** 25 bar.
- Working Temperature: 60°C.
- Maximum short-term temperature: 90°C.



- The body is made of high strength composite materials and all operating parts are made of specially selected corrosion-resistant materials.
- The larger than usual aperture enables it to release air at higher flow rates than other automatic air release valves of its kind.
- The enlarged aperture with its self-cleaning mechanism dramatically reduces obstruction due to debris.
- The valve’s rolling seal mechanism design is less sensitive to different pressures than a direct float seal, thus enabling a one-size aperture for a wide pressure range (from 0.2 up to 16 bar).
- Light, simple and reliable structure.
- Due to its light weight, the valve may be installed on plastic piping systems, as well as other light weight piping.

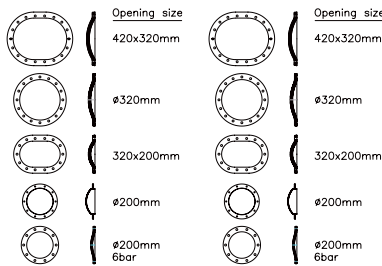
# Commercial Filters

## MICRON SIDE MOUNT BOBBIN WOUND SAND FILTER - SMD Model



- 1m bed depth
- Ultra smooth bobbin finish
- Available in 2.5 bar, 4 bar, 6 bar, 8 bar and 10 bar pressure ratings
- Vinylester resin coating available
- Quick connect unions
- Nozzle plate available upon request

### Side hatch / Lateral manhole cover

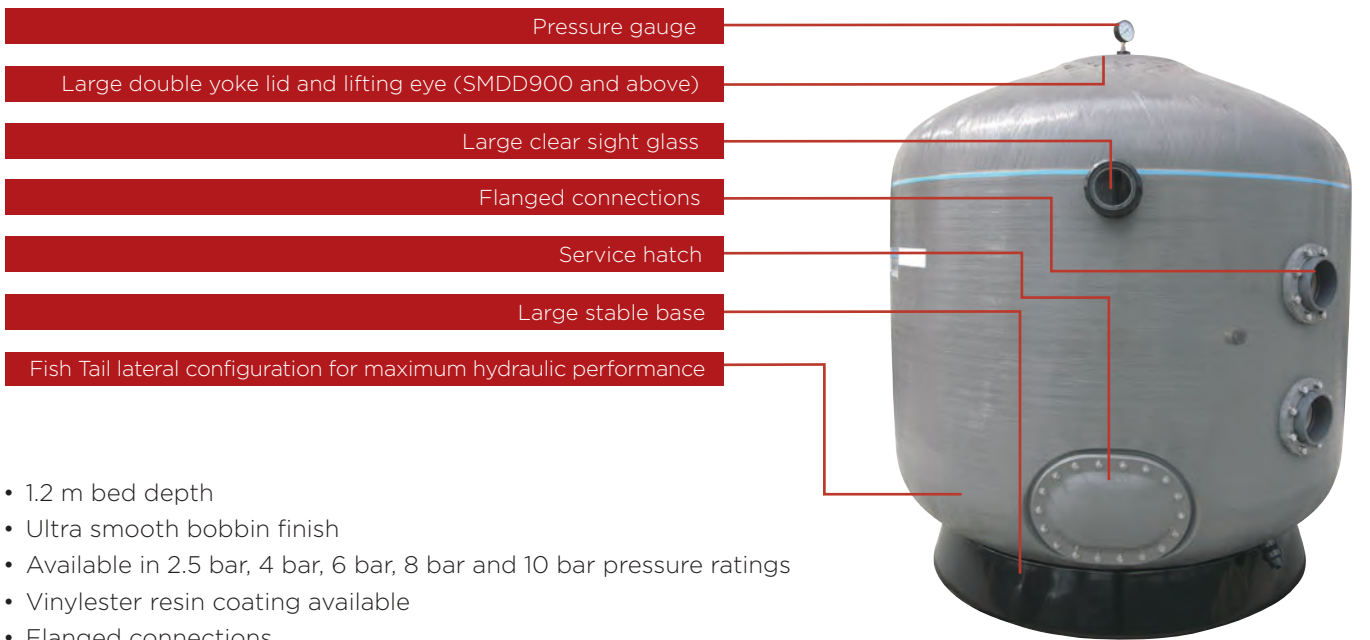


### WATERCO MICRON SMD/SMDD/SPDD OPTIONAL EXTRAS

Part No.	Product Description	Nom. Size
W22115	Sight Glass Fitted	90mm
SSHR200	Side Service Hatch - Round	200mm
SSHR320	Side Service Hatch - Round	320mm
SSHO320	Side Service Hatch - Oval	320 x 200mm
SSHO420	Side Service Hatch - Oval	420 x 320mm

\*Lead times applicable for the above optional extras.

## MICRON SIDE MOUNT DEEP BED SAND FILTER - SMDD Model



- 1.2 m bed depth
- Ultra smooth bobbin finish
- Available in 2.5 bar, 4 bar, 6 bar, 8 bar and 10 bar pressure ratings
- Vinylester resin coating available
- Flanged connections
- Nozzle plate version (SPDD)

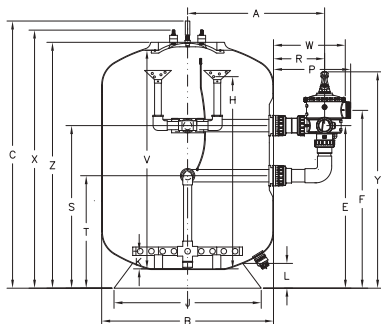
# Commercial Filters



Lateral underdrain system



SMD Lockring lid version (SMD600, SMD750)



## WATERCO MICRON SIDE MOUNT BOBBIN WOUND SAND FILTERS INCLUDING SIGHT GLASS - SMD 2.5 bar

Part No.	Product Description	Nom. Size
	- Excludes MPV (2.5 bar)	
2250600484060	SMD600 (1.5" / 50mm port) 4 Bar-side hatch 200Ø locking lid	24"
2250750682	SMD750 (2"/63mm port) - locking ring lid	30"
2250900903	SMD900 (3"/90mm port)	36"
22501050903	SMD1050 (3"/90mm port)	42"
22501200903	SMD1200 (3"/90mm port)	48"
22501400903	SMD1400 (3"/90mm port)	56"
22501600903	SMD1600 (3"/90mm port)	64"
225016001103	SMD1600 (4"/110mm port)	64"
225018001103	SMD1800 (4"/110mm port)	70"
225020001103	SMD2000 (4"/110mm port)	79"

## WATERCO MICRON SIDE MOUNT BOBBIN WOUND SAND FILTERS SIGHT GLASS - SMD 4.0 bar

Part No.	Product Description	Nom. Size
	- Excludes MPV (4.0 bar)	
22501054801	SMD1050 (3"/90mm port)	42"
22501204801	SMD1200 (3"/90mm port)	48"
22501404801	SMD1400 (3"/90mm port)	56"
22501604801	SMD1600 (3"/90mm port)	64"
22501604101	SMD1600 (4"/110mm port)	64"
22501804101	SMD1800 (4"/110mm port)	70"
22502004101	SMD2000 (4"/110mm port)	79"

PLEASE NOTE: Also available in 6.0 bar, 8.0 bar and 10.0 bar versions, price and lead times available upon request.

## Technical Specification

Filter Model	Connection Size		Filter Area	Bed Depth	Maximum Flow Rating 30m <sup>3</sup> /hr/m <sup>2</sup>	Maximum Flow Rating 40m <sup>3</sup> /hr/m <sup>2</sup>	Sand	EcoPure Media	Glass Pearls
	"	mm							
SMD600	1.5	50	0.28	1000	8.5	11.3	445	380	492
SMD750	2.0	63	0.44	1000	13	18	670	570	737
SMD900	3.0	90	0.64	1000	19	25	1060	1016	1117
SMD1050	3.0	90	0.87	1000	26	35	1410	1159	1541
SMD1200	3.0	90	1.13	1000	34	45	1720	1414	1892
SMD1400	3.0	90	1.54	1000	46	62	2515	2067	2749
SMD1600	3.0	90	2.01	1000	60	80	3170	2605	3477
SMD1600	4.0	110	2.01	1000	60	80	3060	2515	3365
SMD1800	4.0	110	2.54	1000	76	102	4205	3456	4616
SMD2000	4.0	110	3.14	1000	94	126	5140	4225	5437

## Dimension (mm)

Model	Connection Size		A	B	C	W	R	P	E	F	K	V	H	L	X	Y	Z	J	S	T
SMD600	50	1.5"	619	622	1630	334	262	191	977	1234	-	-	-	-	-	-	-	-	-	-
SMD750	63	2.0"	613	772	1660	334	262	191	1226	1328	113	1420	1363	120	1585	1482	1560	678	1226	1023
SMD900	90	3.0"	824	923	1918	510	363	548	1406	1516	190	1580	1440	155	1833	1788	1763	735	1406	1050
SMD1050	90	3.0"	918	1110	1930	510	363	548	1100	1210	220	1605	1470	176	1845	1482	1775	1045	1100	744
SMD1200	90	3.0"	977	1229	1935	510	363	548	1154	1264	150	1590	1400	176	1850	1536	1780	1045	1154	798
SMD1400	90	3.0"	1083	1442	1955	510	363	548	1204	1314	250	1615	1500	218	1870	1586	1800	1202	1204	848
SMD1600	90	3.0"	1184	1644	1994	510	363	548	1151	1261	220	1615	1500	218	1909	1533	1839	1202	1151	795
SMD1600*	110	4.0"	1765	1644	1994	943	474	629	757	419	180	1615	1430	218	1909	757	1839	1202	1189	757
SMD1800*	110	4.0"	1863	1839	1985	943	474	629	751	413	225	1710	1475	315	1900	751	1830	1755	1183	751
SMD2000*	110	4.0"	1964	2042	2063	943	474	629	758	420	300	1765	1550	245	1978	758	1908	1755	1190	758

\* PLEASE NOTE: these measurements are for a valve orientation different to that shown in adjoining diagram

All dimensions are for guidance only and may vary subject to individual filter specifications.



# Commercial Filters



Lateral underdrain system

## WATERCO MICRON SIDE MOUNT DEEP BED SAND FILTERS - SMDD 4.0 bar

Part No.	Product Description	Nom. Size
	- Excludes MPV (4.0 bar)	
224975451826L	SMDD750 (2"/63mm connections 200mm service hatch)	30"
224990480136L	SMDD900 (3"/90mm connections 200mm service hatch)	36"
2249105480136L	SMDD1050 (3"/90mm connections 200mm service hatch)	42"
2249120043037L	SMDD1200 (3"/90mm connections 420 x 320mm service hatch)	48"
224914041025L	SMDD1400 (4"/110mm connections 420 x 320mm service hatch)	56"
224916041025L	SMDD1600 (4"/110mm connections 420 x 320mm service hatch)	64"
224918041525L	SMDD1800 (6"/160mm connections 420 x 320mm service hatch)	70"
224920041525L	SMDD2000 (6"/160mm connections 420 x 320mm service hatch)	79"
2240220041525L	SMDD2200 (6"/160mm connections 420x320mm service hatch)	86"
2249235015435	SMDD2350 (6"/160mm connections 420 x 320mm service hatch)	92"
2249250041525L	SMDD2500 (6"/160mm connections 420 x 320mm service hatch)	98"

PLEASE NOTE: Also available in 6.0 bar, 8.0 bar and 10.0 bar versions, price and lead times available upon request.

### Technical Specification

Filter Model	Flange Size	Flange Size	Filter Area	Bed Depth	Maximum Flow Rating 30m <sup>3</sup> /hr/m <sup>2</sup>	Maximum Flow Rating 40m <sup>3</sup> /hr/m <sup>2</sup>	Sand	EcoPure Glass	Glass Pearls
	"	mm	m <sup>2</sup>	mm	m <sup>3</sup> /hr	m <sup>3</sup> /hr	kg	kg	kg
SMDD750	2	63	0.44	1200	13	18	795	630	879
SMDD900	3	90	0.64	1200	19	25	1200	986	1327
SMDD1050	3	90	0.87	1200	26	35	1665	1386	1842
SMDD1200	3	90	1.13	1200	34	45	2045	1681	2262
SMDD1400	4	110	1.54	1200	46	62	2840	2334	3142
SMDD1600	4	110	2.01	1200	60	80	3685	3029	4076
SMDD1800	6	160	2.54	1200	76	102	4975	4089	5503
SMDD2000	6	160	3.14	1200	94	126	6090	5005	6698
SMDD2200	6	160	3.80	1200	114	152	7625	6481	8435
SMDD2350	6	160	4.34	1200	130	173	8480	6970	9380
SMDD2500	6	160	4.91	1200	147	196	9545	7250	10558

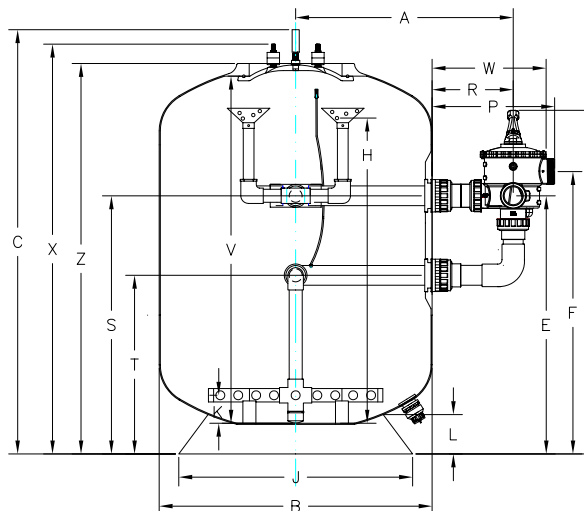
## SMDD2200

DESIGNED TO FIT FULLY ASSEMBLED INSIDE A STANDARD SHIPPING CONTAINER

### Dimension (mm)

Model	Flange Size	A	B	C	K	V	H	L	X	Z	J	S	T	
SMDD750	63 mm	2"	613	772	2044	113	1780	1713	120	2011	1938	678	1586	1383
SMDD900	90 mm	3"	719	923	2268	223	1930	1823	155	2183	2113	735	1624	1324
SMDD1050	90 mm	3.0"	901	1077	2270	220	1950	1820	176	2185	2115	1045	1650	1294
SMDD1200	90 mm	3.0"	977	1229	2243	150	1900	1750	176	2158	2088	1045	1665	1309
SMDD1400	110 mm	4.0"	1664	1442	2313	200	1975	1800	218	2228	2158	1202	1330	898
SMDD1600	110 mm	4.0"	1765	1644	2285	200	1950	1800	218	2200	2130	1202	1421	989
SMDD1800	160 mm	6.0"	n/a	1839	2260	320	2010	1920	315	2175	2105	1755	1383	900
SMDD2000	160 mm	6.0"	n/a	2042	2398	320	2100	1920	245	2313	2243	1755	1310	827
SMDD2200	160 mm	6.0"	n/a	2245	2415	380	2090	1980	245	2330	2260	1755	1386	903
SMDD2350	160mm	6.0"	n/a	2390	2435	355	2118	1955	340	2330	2330	2037	1550	1017
SMDD2500	160 mm	6.0"	n/a	2575	2510	355	2190	1955	340	2405	2405	2037	1494	1011

All dimensions are for guidance only and may vary subject to individual filter specifications.



# Commercial Filters



## WATERCO MICRON NOZZLE PLATE SAND FILTERS - SPDD 4.0 bar

Part No.	Product Description	Nom. Size
22799004801	SPDD 900 - (3"/90mm connections 200mm service hatch)	36"
227910508014L	SPDD 1050 - (3"/90mm connections 200mm service hatch)	42"
2279120043037L	SPDD 1200 - (3"/90mm connections 420 x 320mm service hatch)	48"
2279140010014L	SPDD 1400 - (4"/110mm connections 420 x 320mm service hatch)	56"
2279160010014L	SPDD 1600 - (4"/110mm connections 420 x 320mm service hatch)	64"
2279180015014L	SPDD 1800 - (6"/160mm connections 420 x 320mm service hatch)	70"
227920001504L	SPDD 2000 - (6"/160mm connections 420 x 320mm service hatch)	79"
227922001504L	SPDD 2200 - (6"/160mm connections 420 x 320mm service hatch)	86"
2279235015014L	SPDD 2350 - (6"/160mm connections 420 x 320mm service hatch)	92"
22792500150374L	SPDD2500 - (6"/160mm connections 420 x 320mm service hatch)	98"

Micron SPDD filters are fitted with a plate and nozzle system, which ensures uniform flow for both filtering and backwashing, ensuring maximum performance through the media bed.

The nozzle plate system also allows the introduction of pressurised air directly into the bottom of the filter media. Uniform introduction of air and water through the nozzle plate provides vigorous agitation and filter media bed expansion required for an effective air/water backwash leading to reduced backwashing times and reduced volumes of water. Save up to 25% of backwash water.

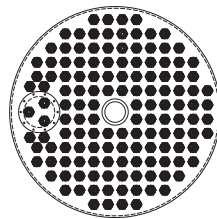
*PLEASE NOTE: Also available in 4.0 bar, 6.0 bar, 8 bar and 10 bar versions, price and lead times available upon request.*



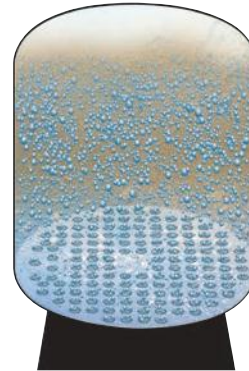
Nozzle Plate underdrain system



Internal Nozzle Plate Service Hatch



Nozzle Plate configuration

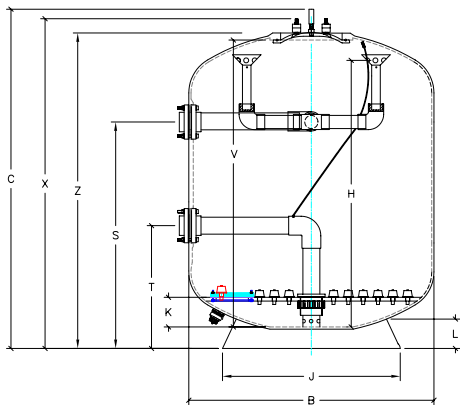


## Technical Specification

Filter Model	Flange Size	Flange Size	Filter Area	Bed Depth	Maximum Flow Rating 30m <sup>3</sup> /hr/m <sup>2</sup>	Maximum Flow Rating 40m <sup>3</sup> /hr/m <sup>2</sup>	Sand	EcoPure	Glass Pearls
	"	mm	m <sup>2</sup>	mm	m <sup>3</sup> /hr	m <sup>3</sup> /hr	Kg	Kg	Kg
SPDD900	3.0	90	0.64	1200	19.1	25.4	1095	900	1211
SPDD1050	3.0	90	0.87	1200	26.00	34.60	1485	1221	1463
SPDD1200	3.0	90	1.13	1200	33.90	45.20	1930	2170	2135
SPDD1400	4.0	110	1.54	1200	46.20	61.60	2640	2170	2920
SPDD1600	4.0	110	2.01	1200	60.30	80.40	3455	2840	3822
SPDD1800	6.0	160	2.54	1200	76.30	101.80	4330	3559	4790
SPDD2000	6.0	160	3.14	1200	94.20	125.70	5360	4405	5929
SPDD2200	6.0	160	3.80	1200	114.00	152.00	6530	5550	7223
SPDD2350	6.0	160	4.34	1200	130.10	173.50	7430	6107	8219
SPDD2500	6.0	160	4.91	1200	147.00	196.00	8410	7310	9303

## Dimension (mm)

Model	Flange Size	B	C	K	V	H	L	X	Z	J	S	T	
SPDD900	90	3"	923	2268	190	1930	1780	155	2183	2113	735	1433	733
SPDD1050	90	3"	1110	2270	220	1950	1820	176	2185	2115	1045	1450	750
SPDD1200	90	3"	1229	2243	150	1900	1750	176	2158	2088	1045	1449	749
SPDD1400	110	4"	1442	2313	200	1975	1800	218	2228	2158	1202	1514	814
SPDD1600	110	4"	1644	2285	200	1950	1800	218	2200	2130	1202	1529	829
SPDD1800	160	6"	1839	2260	320	2010	1920	315	2175	2105	1755	1489	789
SPDD2000	160	6"	2042	2398	320	2100	1920	245	2313	2243	1755	1489	789
SPDD2200	160	6"	2245	2415	380	2090	1980	245	2330	2260	1755	1386	903
SPDD2350	160	6"	2390	2435	355	2118	1955	340	2330	2330	2037	1550	950
SPDD2500	160	6"	2575	2510	355	2190	1955	340	2405	2405	2037	1494	1011



*All dimensions are for guidance only and may vary subject to individual filter specifications.*

# Commercial Filters

Commercial Filters

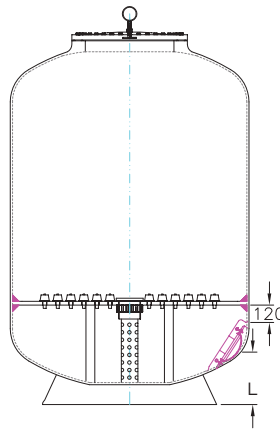
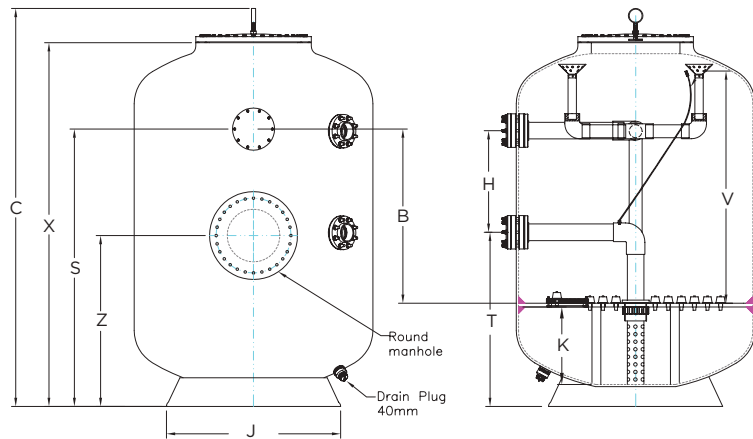


SPDD 1800 DIN filter

## WATERCO MICRON NOZZLE PLATE SAND FILTERS - DIN FILTERS

Part No.	Product Description	Nom. Size
2279120080976	Micron SPDD1200e 3"FL S SG L/MH LM200 DIN	48"
22791400100976	Micron SPDD1400e 4"FL S SG L/MH LM200 DIN	56"
22791600100976	Micron SPDD1600e 4"FL S SG L/MH LM200 DIN	64"
22791800150824	Micron SPDD1800e 6"FL SG200 MH600X3 DIN	70"

The Waterco SPDD DIN filters offer all the benefits of the standard Waterco Micron nozzle plate filters with the added advantage of being compliant with DIN 19605:2016-05 standards.



### Technical Specification

Filter Model	Flange Size	Flange Size	Filter Area	Bed Depth	Maximum Flow Rating 30m <sup>3</sup> /hr/m <sup>2</sup>	Maximum Flow Rating 40m <sup>3</sup> /hr/m <sup>2</sup>	Sand	EcoPure Glass	Glass Pearls
	"	mm	m <sup>2</sup>	mm	m <sup>3</sup> /hr	m <sup>3</sup> /hr	kg	kg	kg
SPDD1200	3.0	90	1.13	1200	34	45	1930	2170	2135
SPDD1400	4.0	110	1.54	1200	46	62	2640	2170	2920
SPDD1600	4.0	110	2.01	1200	60	80	3455	2840	3822
SPDD1800	6.0	160	2.54	1200	76	102	4330	3559	4790

### Dimension (mm)

Model	Flange Size	B	C	K	V	H	L	X	Z	J	S	T
SPDD1200	90	3"	1200	2601	558	1600	700	367	2438	1270	1045	1214
SPDD1400	110	4"	1200	2673	530	1600	700	370	2518	1204	1200	895
SPDD1600	110	4"	1200	2650	534	1600	700	360	2506	1178	1200	1911
SPDD1800	160	6"	-	3433	-	1600	1250	-	3232	-	1755	2535

All dimensions are for guidance only and may vary subject to individual filter specifications.

# Commercial Filters



## HYDRON SPLIT FILTER

Part No.	Product Description	Nom. Size
	Filter Only	
223912008014	HYDRON Split filter 1200h 3"FL LCN	48"
223914008014	HYDRON Split filter 1400h 4"FL LCN	56"
223916008014	HYDRON Split filter 1600h 4"FL LCN	64"
223918008014	HYDRON Split filter 1800h 6"FL LCN	70"

### Ideal for retrofitting

Hydron Split tank can be delivered in two parts and assembled on site in the plant room. The two halves seal perfectly using a double o-ring and are held together by a flange using bolts and nuts. The filter is specifically designed to fit into existing plant rooms where access is restricted.

Designed for water treatment and commercial swimming pool facilities, built using the latest in gel-coated fibreglass technology.

- Durable
- Easy to maintain
- Flanged tank port connections
- Perfect for retrofit
- Easy transport
- Flexible configurations available
- Sight glass available
- 4 bar rated



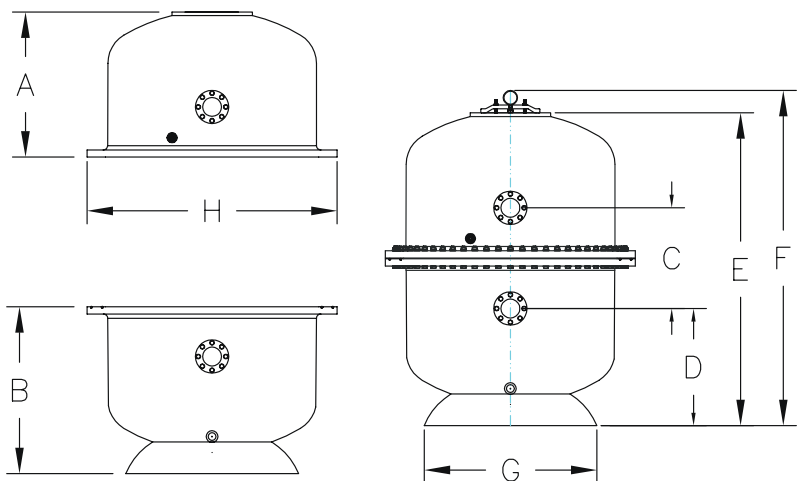
### Technical Specification

Model No:	Flange Size	Bed Depth		Inner Diameter			Filter Area		Filtration Flow Rates		Backwash Flow Rates		Sand	EcoPure Media	Glass Pearl
		in	mm	in	mm	in	m <sup>2</sup>	feet <sup>2</sup>	30m <sup>3</sup> /hr/m <sup>2</sup>	36m <sup>3</sup> /hr/m <sup>2</sup>	40m <sup>3</sup> /hr/m <sup>2</sup>	50m <sup>3</sup> /hr/m <sup>2</sup>			
SMDT 1200	3	1000	39.4	1200	47.3	113	12.18	34	41	45	57	2045	1636	2262	
SMDT 1400	4	1000	39.4	1400	55.2	154	16.58	46	55	62	77	2840	2272	3142	
SMDT 1600	4	1000	39.4	1600	63.0	2.01	21.66	60	72	80	101	3685	2605	4076	
SMDT 1800	6	1000	39.4	1800	70.9	2.54	27.41	76	92	102	127	4975	3890	5503	

### Dimension (mm)

Model	A	B	C	D	E	F	G	H
SMDT 1200	1010	1095	700	749	2088	2245	1045	1521
SMDT 1400	1008	1165	700	814	2170	2330	1200	1737
SMDT 1600	995	1130	700	829	2130	2285	1200	1943
SMDT 1800	1105	1100	700	789	2188	2355	1760	2105

All dimensions are for guidance only and may vary subject to individual filter specifications.





# Commercial Filters



## Micron Horizontal Filters

The Micron Horizontal Filter is a space-saving high performer; its compact horizontal design allows installation with minimum waste of space. The spherical ends are designed to give uniform flow from both inlet and outlet collection assemblies. Micron Horizontal filters are available with a 500mm (M) filter media bed and a 1200mm (MD) filter media bed.

## MICRON COMMERCIAL HORIZONTAL FILAMENT WOUND FILTERS

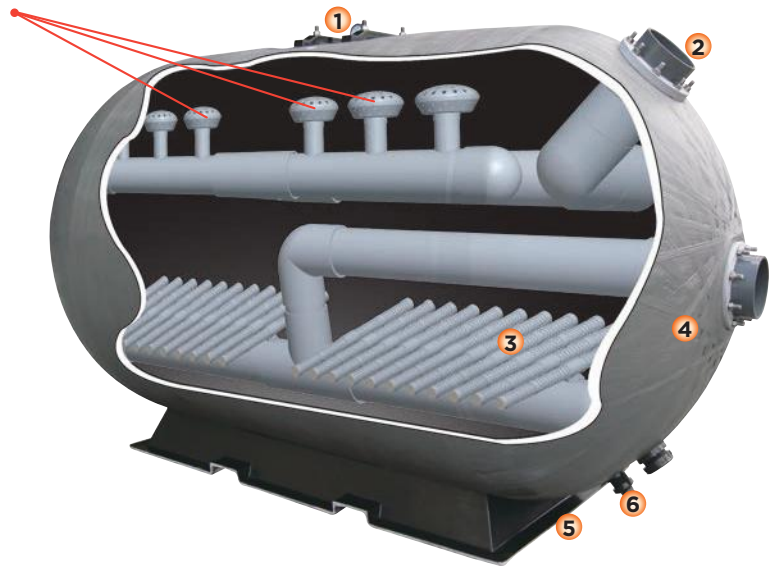
ranges from 2.5 to 10 bar (10 bar not available in all models)

Micron Horizontal's lateral system reduces backwash run times, saves water and produces a flatter more uniform filter media bed after backwashing.

Micron Horizontal vessels are also available with a nozzle plate. The nozzle plate provides even distribution of air scouring and backwashing.

For the ultimate filtration solution of large filter bed area and effective backwashing, Micron Horizontal Nozzle Plate vessels are the perfect choice.

Micron Horizontal filters include hydraulically efficient distribution manifolds, ensuring balanced circulation and filtration.



- 1 Elliptical positive sealing manways.
- 2 Flanged ports of up to 10".
- 3 Hydraulically balanced distribution and lateral underdrain system.
- 4 Fibreglass wound tank, UV and corrosion resistant.
- 5 Large filter base for stable floor mounting.
- 6 Dual function water & media drain.



Internal plumbing & laterals



# Commercial Filters

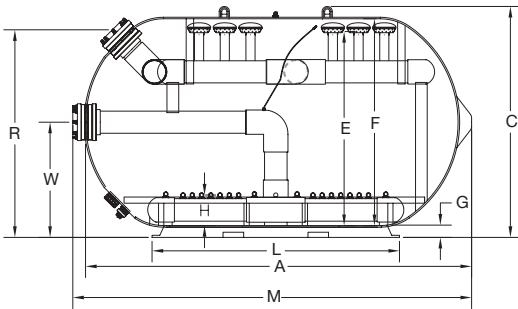


## WATERCO MICRON COMMERCIAL HORIZONTAL SAND FILTERS (2.5 bar)

Part No.	Product Description	Nom. Size
22290102	M2500 (4"/110mm port connections)	2.50m <sup>2</sup>
22290151	M3750 (4"/110mm port connections)	3.75m <sup>2</sup>
22290150	M3750 (6"/160mm port connections)	3.75m <sup>2</sup>
22290200	M5000 (6"/160mm port connections)	5.00m <sup>2</sup>

### Technical Specification

Filter Model	Overall Length mm	Overall Height mm	Overall Width mm	Flange Size ("/mm)	Bed Depth (mm)	Filter Area (m <sup>2</sup> )	Ecopure Glass (kg)	Sand 16/30 (kg)	Glass Pearls (kg)	Max. flow 30m <sup>3</sup> /hr/m <sup>2</sup> (m <sup>3</sup> /hr)	Max. flow 40m <sup>3</sup> /hr/m <sup>2</sup> (m <sup>3</sup> /hr)
M2500	2300	1480	1310	4/110	500	2.50	1742	2120	2304	75	100
M3750	3350	1485	1310	4/110	500	3.75	2844	3460	3552	113	150
M3750	3350	1485	1310	6/160	500	3.75	2844	3460	3552	113	150
M5000	4340	1486	1310	6/160	500	5.00	3830	4660	4898	150	200



### Dimension (mm)

Model	Port size	A	C	W	R	L	E	F	G	H	M
M2500	110	2245	1620	740	1300	1400	1005	1260	150	255	2327
M3750	110	3230	1620	740	1300	2520	1005	1260	150	275	3312
M3750	160	3230	1620	740	1300	2520	945	1260	150	275	3312
M5000	160	4220	1620	740	1300	3570	945	1260	150	275	4301

All dimensions are for guidance only and may vary subject to individual filter specifications.



## WATERCO MICRON HORIZONTAL DEEP BED BOBBIN WOUND FILTERS 1.2m BED DEPTH (2.5 bar)

Part No.	Product Description	Nom. Size
2229055008	MD5500 (8"/200mm port connections)	5.50m <sup>2</sup>
2229065008	MD6500 (8"/200mm port connections)	6.50m <sup>2</sup>
222908000825	MD8000 (8"/200mm port connections)	8.00m <sup>2</sup>
2229040010L	MD10000 (10"/280mm port connections)	10.00m <sup>2</sup>

### Technical Specification

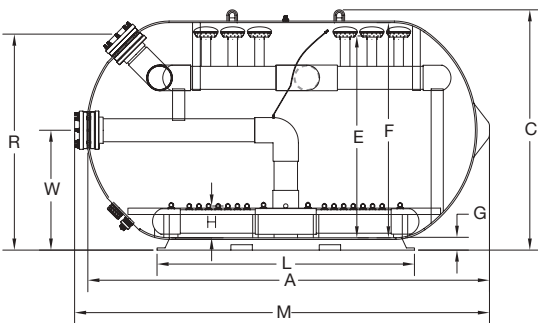
Filter Model	Overall Length mm	Overall Height mm	Overall Width mm	Flange Size ("/mm)	Bed Depth (mm)	Filter Area (m <sup>2</sup> )	Ecopure Glass (kg)	Sand 16/30 (kg)	Glass Pearls (kg)	Max. flow 30m <sup>3</sup> /hr/m <sup>2</sup> (m <sup>3</sup> /hr)	Max. flow 40m <sup>3</sup> /hr/m <sup>2</sup> (m <sup>3</sup> /hr)
MD5500	3122	2173	2000	8/200	1200	5.50	6043	9280	10265	165	220
MD6500	3635	2244	2000	8/200	1200	6.50	9058	11020	12764	195	260
MD8000	4386	2173	2000	8/200	1200	8.00	11753	14300	15834	240	320
MD10000	5850	2173	2000	10/280	1200	10.00	14540	17690	20225	300	400

\* Flow rate is limited by the port size, max flow for 8"/200mm is 422.4m<sup>3</sup>/hr, and 10"/260mm is 654m<sup>3</sup>/hr.

### Dimension (mm)

Model	Port size	A	C	W	R	L	E	F	G	H	M
MD5500	200	3252	2260	1120	1988	1880	1889	2000	230	289	3330
MD6500	200	3765	2260	1120	2020	2405	1890	2000	230	290	3890
MD8000	200	4516	2260	1120	2020	3155	1890	2000	230	290	4640
MD10000	280	5500	2260	1150	2050	4055	1890	2000	230	330	5650

All dimensions are for guidance only and may vary subject to individual filter specifications.



## WATERCO MICRON HORIZONTAL OPTIONAL EXTRAS

Part No.	Product Description	Nom. Size
W22115	Sight Glass Fitted	90mm
SSHR200	Side Service Hatch - Round	200mm
SSHR320	Side Service Hatch - Round	320mm
SSHO320	Side Service Hatch - Oval	320 x 200mm
SSHO420	Side Service Hatch - Oval	420 x 320mm

\* Available in 4, 6 and 8 bar, also available with nozzle plate arrangement.



# Commercial Filters



## LACRON SUREFLOW HZC - SAND FILTER 2.5 bar pressure rating

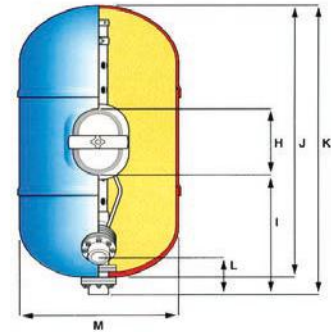
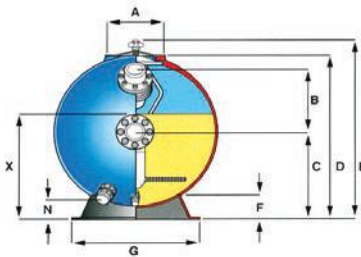
Part No.	Product Description	Nom. Size
	Filter Only	
222942423	HZC - 42 4" (110mm) Connections complete with 2 fitted sight glasses	42" - 1100mm

### Technical Specification

Filter model	Tank Diameter (mm)	Bed Depth (mm)	Filter Area (m <sup>2</sup> )	Flange Size (inch/mm)	Pea Gravel (kg)	Sand (kg)	EcoPure Glass (kg)	Glass Pearl (kg)	Max. Flow (m <sup>3</sup> /hr)
HZC-42	1100	650	2.000	4 / 110	250	950	800	1045	90

### Dimension (mm)

Model	A	B	C	D	E	F	G	H	I	J	K	L	M	N	X
HZC-42	330	400	660	1265	1335	190	815	430	800	1980	2030	310	1120	195	660



LSC36/42

## LACRON SUREFLOW LSC - SIDE MOUNT SAND FILTER - 2.5 bar pressure rating

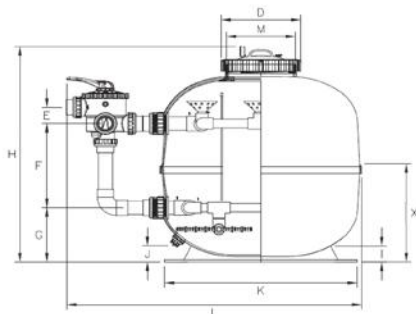
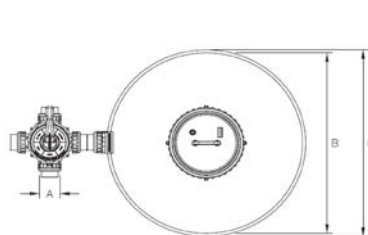
Part No.	Product Description	Nom. Size
	Filter Tank with Connecting Unions Only	
222037CN	LSC - 36 3" (90mm) Connections 8" neck	36" - 915mm
222042N	LSC - 42 3" (90mm) Connections 8" neck	42" - 1100mm
222048N	LSC - 48 3" (90mm) Connections 16" neck	48" - 1200mm

### Technical Specification

Filter model	Tank Diameter (mm)	Bed Depth (mm)	Filter Area (m <sup>2</sup> )	Flange Size (inch/mm)	Pea Gravel (kg)	Sand (kg)	EcoPure Glass (kg)	Glass Pearl (kg)	Max. Flow (m <sup>3</sup> /hr)
LSC-36	900	500	0.660	3 / 90	75	300	225	330	26
LSC-42	1100	550	0.970	3 / 90	100	450	350	540	43
LSC-48	1200	700	1.130	3 / 90	175	675	525	742	56

### Dimension (mm)

Model	A	B	C	D	E	F	G	H	I	J	K	L	M	X
LSC-36	128	900	915	267	108	300	303	1031	90	90	735	1512	234	500
LSC-42	128	1086	1100	267	108	325	370	1161	95	90	740	1677	234	550
LSC-48	128	1200	1240	497	108	559	360	1430	100	90	1200	1837	439	700



LSC48

# Commercial Filters



## LACRON FINAFLOW MBF - MEDIUM BED SAND FILTER - 2.5 bar pressure rating

Part No.	Product Description	Nom. Size
	With side hatch, sight glass, connecting unions & pipeset	
2220588N	MBF - 24 1 1/2" (50mm) Connections 8" Neck	24" - 610mm
2220598N	MBF - 30 2" (63mm) Connections 8" Neck	30" - 760mm

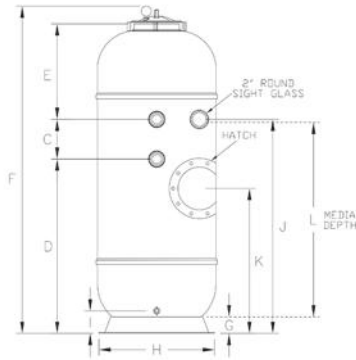
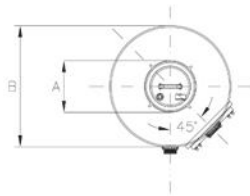
### Technical Specification

Filter model	Tank Diameter (mm)	Bed Depth (mm)	Filter Area (m <sup>2</sup> )	Flange Size (inch/mm)	Pea Gravel (kg)	Sand (kg)	EcoPure Glass (kg)	Glass Pearl (kg)	Max. Flow (m <sup>3</sup> /hr)
MBF-24	610	1000	0.300	1.5 / 50	75	350	280	385	15
MBF-30	760	1000	0.450	2 / 63	100	550	440	605	22.5

### Dimension (mm)

Model	Type	A	B	C	D	E	F	G	H	I	J	K	L
MBF-24	Collar Neck	267	625	204	896	490	1681	85	595	120	1110	745	1000
MBF-30	Collar Neck	267	780	215	885	490	1681	110	740	120	1110	745	1000

MBF 24 / 30 Collar Neck



## LACRON FINAFLOW DBF - DEEP BED SAND FILTER - 2.5 bar pressure rating

Part No.	Product Description	Nom. Size
	With side hatch, sight glass & connecting unions	
222041624N	DBF - 24 2" (63mm) Connections 8" Neck	24" - 610mm
222041630	DBF - 30 2" (63mm) Connections 9" x 6" Lid	30" - 760mm
222041636	DBF - 36 3" (90mm) Connections 9" x 6" Lid	36" - 915mm
222041642	DBF - 42 3" (90mm) Connections 9" x 6" Lid	42" - 1100mm

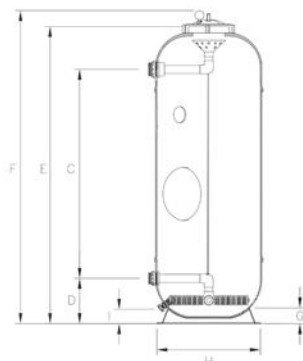
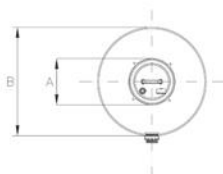
### Technical Specification

Filter model	Tank Diameter (mm)	Bed Depth (mm)	Filter Area (m <sup>2</sup> )	Flange Size (inch/mm)	Pea Gravel (kg)	Sand (kg)	EcoPure Glass (kg)	Glass Pearl (kg)	Max. Flow (m <sup>3</sup> /hr)
DBF-24	610	1300	0.300	63 / 2	75	500	400	550	15
DBF-30	760	1525	0.450	63 / 2	100	775	625	852	22.5
DBF-36	915	1550	0.660	90 / 3	150	950	750	1045	33
DBF-42	1100	1580	0.970	90 / 3	150	1650	1400	1815	48.5

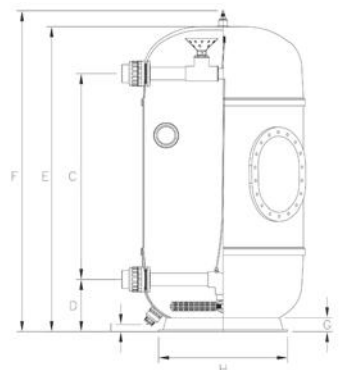
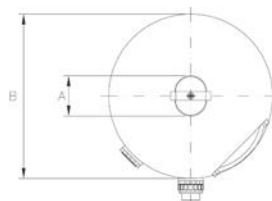
### Dimension (mm)

Model	Type	A	B	C	D	E	E	F	G	H	I
DBF-24	Collar Neck	267	625	1200	260	1880	1706	1797	85	595	85
DBF-30	9" x 6" Lid	230	780	1350	290	2405	1875	1967	110	740	110
DBF-36	9" x 6" Lid	230	945	1180	300	3155	1750	1842	80	740	40
DBF-42	9" x 6" Lid	230	1105	1380	370	4055	2065	2157	95	760	60

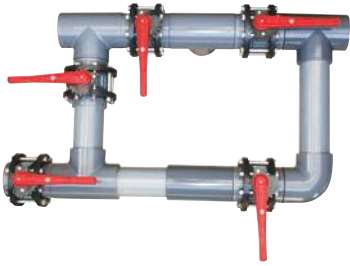
DBF 24



DBF 30 / 36 / 42



# Commercial Filters



## SINGLE FILTER 5 VALVE BATTERY SETS

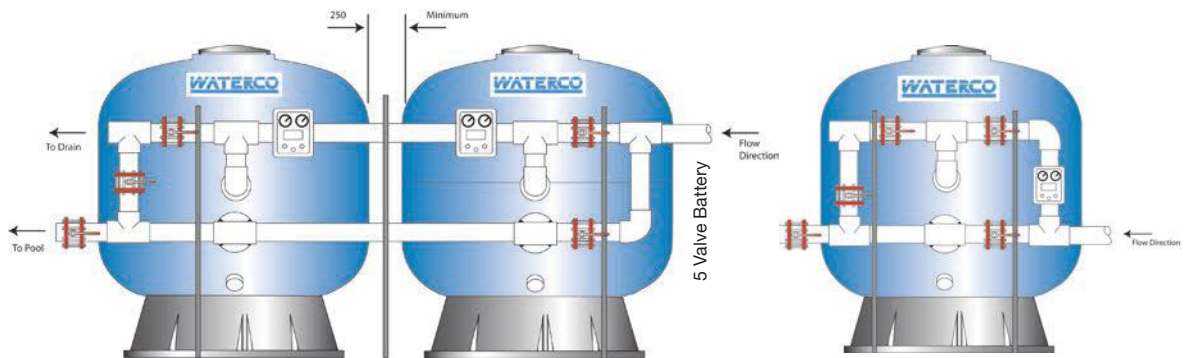
Part No.	Product Description	Nom. Size
72859	5 valve battery 3" connections - Self Assembly	3"
72862	5 valve battery 4" connections - Self Assembly	4"
72860	5 valve battery 6" connections - Self Assembly	6"
72864	5 valve battery 90mm connections - Self Assembly	90mm
72863	5 valve battery 110mm connections - Self Assembly	110mm
72861	5 valve battery 160mm connections - Self Assembly	160mm

All 5 valve battery sets come complete with butterfly valves, tees, elbows pipework and 2 pipe supports  
 Note: Supplied loose in kit form.

## DOUBLE FILTER 5 VALVE BATTERY SETS

Part No.	Product Description	Nom. Size
72859DF	125mm valve battery, 3" connections - Self Assembly	3"
72862DF	140mm valve battery, 4" connections - Self Assembly	4"
72860DF	225mm valve battery, 6" connections - Self Assembly	6"
72864DF	125mm valve battery, 90mm connections - Self Assembly	90mm
72863DF	140mm valve battery, 110mm connections - Self Assembly	110mm
72861DF	225mm valve battery, 160" connections - Self Assembly	160mm

All double filter 5 valve battery sets come complete with butterfly valves, tees, elbows, pipework and 3 pipe supports.  
 Note: Supplied loose in kit form.



Double Filter 5 Valve Battery

Single Filter 5 Valve Battery



## PRESSURE GAUGE PANELS

Part No.	Product Description
621640	Dual Pressure Gauge panel complete



part code: 2290900

## WATERCO COMMERCIAL 4 BAR 6 WAY MULTIPOST VALVES

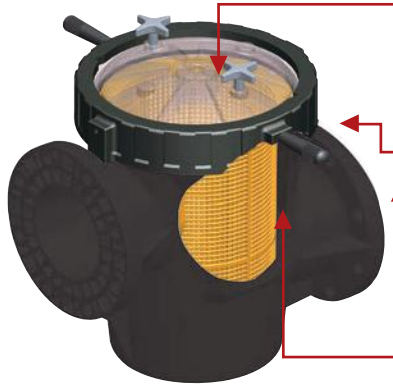
Part No.	Product Description	Nom. Size
All valves come complete with quick connect unions & air relief valve.		
<b>Side Mount</b>		
2290504	2 1/2"/75mm Side Mount MPV only	2 1/2"/75mm
22905040	2 1/2"/75mm Side Mount MPV c/w plumbing kit (suitable for SMD filters only)	2 1/2"/75mm
2290900	3"/90mm Side Mount MPV only	3"/90mm
2290905	3"/90mm Side Mount MPV c/w plumbing kit (suitable for SMD filters only)	3"/90mm
2291100	4"/110mm Side Mount MPV only	4"/110mm
2291105	4"/110mm Side Mount MPV c/w plumbing kit (suitable for SMD filters only)	4"/110mm

# Commercial Filters



## HYDRO COMMERCIAL STRAINER

Part No.	Product Description	Inlet / Outlet
2409058	Hydro Commercial Strainer - Flanged	6" / 6"
2409057	Hydro Commercial Strainer - Flanged	4" / 6"
2408054	Hydro Commercial Strainer - Quick-connect inlet / flanged outlet	4" / 4" (110mm)

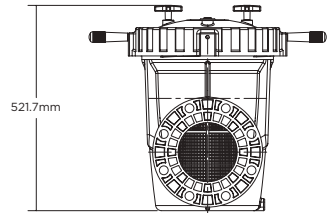
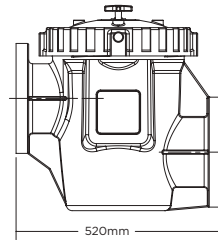
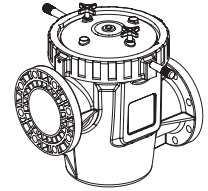
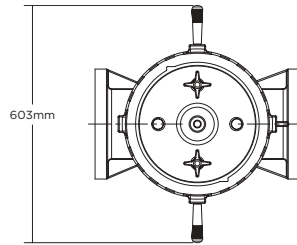


Clear polycarbonate strainer lid enables an instant view of the strainer basket.

Lockring with easy grip handles - no tools required for simple removal & replacement of the lid.

Flanged / union connections

Moulded 16L polypropylene basket.



Commercial Filters



## HYDRO COMMERCIAL STRAINER FLANGE ASSEMBLY KITS

Part No.	Product Description	Nominal Size
ZZGP600FK	6" Flange Assembly Kit	6"
ZZGP400FK	4" Flange Assembly Kit	4"
ZZGP160FK	160mm Flange Assembly Kit	160mm
ZZGP110FK	110mm Flange Assembly Kit	110mm

**Note:** Flange Assembly Kits Include:

1 x Backing Ring, 1 x Stub Flange, 1 x Stub Gasket, 8 x bolts, 8 x Nuts and 16 x Washers



## AUTO AIR RELEASE VALVE

Part No.	Product Description	Nominal Size
620230	1" Air Release Valve Auto	1"
6209448	Manhole lid - oval- to suit 620230 ARV - for use with models SMDD/SPDD up to 2200 model	
W74850	Manhole lid - oval- to suit 620230 ARV - for use with models SMDD/SPDD up to 2350/2500 models	

## MOUNTED SIGHT GLASS

Part No.	Product Description	Nom. Size
SPXSG300	Mounted sight glass	3"
SPXSG400	Mounted sight glass	4"
SPXSG600	Mounted sight glass	6"
SPXSG90	Mounted sight glass	90mm
SPXSG110	Mounted sight glass	110mm
SPXSG160	Mounted sight glass	160mm





# MICRON

## COMMERCIAL FIBREGLASS FILTERS

Proven Strength and Durability



Setting new global benchmarks in durability, versatility, reliability and longevity, Waterco's Micron fibreglass filters are the preferred choice for commercial and industrial operations that demand superior water quality.

Micron Commercial fibreglass filters are available in both side mount and horizontal configurations, with bed depth up to 1.6m.

- Hydraulically balanced laterals
- Pressure ratings available up to 10 Bar
- Optional patented nozzle plate system
- Optional sight glasses and lateral manholes in various sizes
- Optional vinyl ester tanks
- Both 1m and 1.2m bed depths
- 10 year tank warranty

# COMMERCIAL

## PUMPS

Waterco commercial pumps incorporate the latest technology in design and construction to produce a high performance, energy saving pump ideal for any situation that demands maximum output.



### Hydrostar Plus Pump

Hydrostar Plus pumps incorporate the latest technology in design and construction to produce a high-performance self priming pump. Constructed from an injection moulded glass reinforced thermoplastic, its pump body is manufactured utilising state of the art engineering plastic moulding for extra strength. Its clear polycarbonate strainer lid enables an instant view of the strainer basket. Plus, the pump's lid lock ring is equipped with ergonomic grip handles - for easy removal & replacement.

### Hydrostar MKIII Pump

Purpose built for commercial sized swimming pools, Hydrostar MKIII pumps efficiently deliver high flow rates and incorporate an innovative quarter lid & lock ring assembly for easy maintenance.



# Media

Media



**WATERCO**  
water, the liquid of life

# ECOPURE

## GLASS MEDIA

Efficient • Clean • Long Life

Waterco's EcoPure Glass filter media is manufactured from recycled glass; it is an environmentally friendly and viable alternative to sand, offering a finer filtration.

Whereas other filter media may contain a variety of contaminants, Waterco's EcoPure filter media is chemically inert for superior purity. In fact, it does not contain any crystalline free silica or heavy metals.

Its high purity also greatly reduces its initial backwashing requirements, prior to commissioning a filter, enabling a rapid start up of media filters.

EcoPure is made with 100% recycled glass.

This offers environmental savings when compared with alternative natural resources which would otherwise be used.

Available in three grades with sizes from 0.5mm up to 6mm.



Grade 1 0.5 - 1.0mm  
(equivalent to Grade 16/30 sand)



Grade 2 1.0 - 3.0mm



Grade 3 3.0 - 6.0mm  
(equivalent to Pea Gravel)



**WATERCO**  
EUROPE LTD  
water, the liquid of life

# Media

## ECOPURE GLASS MEDIA

### WATERCO GLASS MEDIA

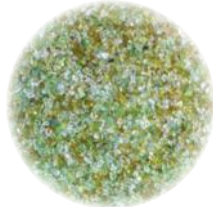
Part No.	Product Description	Nom. Size
2264/20	Grade 1 (0.5mm - 1mm)	20kg bag
2265/20	Grade 2 (1mm - 3mm)	20kg bag
2266/20	Grade 3 (3mm - 6mm)	20kg bag



Grade 1 equivalent to 16/30 Grade sand



Grade 3 equivalent to 6mm gravel



**Grade 1**

0.5mm-1mm



**Grade 2**

1mm-3mm



**Grade 3**

3mm-6mm

EcoPure Glass media has the green credentials, and with its superior performance is also cost effective in comparison to sand.

EcoPure Glass media has many benefits over sand:

- **EcoPure Glass media is more efficient**  
It removes 30% more material and pollutants than sand, so saving on backwashing and the resultant water, energy and chemical treatment costs.
- **EcoPure Glass media keeps cleaner**  
It is less susceptible to bio-fouling. As the product is heat treated, surfaces are smooth, so require less remedial action and less chemical treatment to kill pollutants.
- **EcoPure Glass media requires less material**  
It is less dense than sand, requiring 15% - 20% less media to fill the equivalent filter.
- **EcoPure Glass media doesn't degrade**  
It therefore has a longer life span.
- **EcoPure Glass media is versatile**  
Is suitable for both commercial and domestic applications.
- **EcoPure Glass media complies with:**
  - BS69020 : 2014
  - BS EN12879-3 : 2006
  - WHO Guidelines for drinking water quality 2017

EcoPure media is a truly “recycled product” and therefore contains various colours of glass. These colours being clear, green, brown, blue, red and sometimes white. To use only one colour over others would be antithetical to the recycling ethos and would have little benefit to the environment.

Recycling glass should recycle all the colours, this is something that Waterco is proud of offering.

Waterco understands the importance of strong and durable packaging and therefore for EcoPure glass media we use a clear Industrial Champion Polythene Bag rated at 110 micron. The bags have been manufactured to ISO9000 and PIFA standards which also includes a UV additive to ensure the highest quality packaging.

# GLASS PEARLS



## WATERCO GLASS PEARLS MEDIA

Part No.	Product Description	Nom. Size
35320011UK	Grade 1 Glass Pearls Media 0.6mm - 0.8mm	20Kg

Manufactured from 100% pure virgin glass, Waterco Glass Pearls are a new generation of filter media, capable of providing water of superior clarity and requiring less water for backwashing.

### Superior Clarity

Grade 1 Glass Pearls have a small, effective size of only 0.6mm to 0.8mm. Their narrow particle size range allows in-depth filtration and extends operating cycles between backwashing. Glass Pearls have been laboratory tested to be able to effectively filter down to below 3 microns.



### Safe and Smooth

Glass Pearls are spherical and do not have any sharp edges. They are safe to handle and safe to service. If there is ever a failure of the filter's laterals and glass beads flow into the swimming pool, they pose no risk of injury to swimmers.

### High Purity

Waterco Glass Pearls are manufactured from 100% pure glass and are chemically inert. Waterco Glass Pearls have been independently laboratory tested for leaching contaminants and found to be well within Australian Drinking Water Guidelines.



### Save Water

Glass Pearls' spherical smooth shape, results in a low coefficient of friction, reducing their backwash water requirements. Glass Pearls backwash with up to 20% less water than sand, saving time and water.



### Time Saving

Glass Pearls are easy to install and enable a rapid start up of the media filter. Their high purity means very little backwashing is required to cleanse the filter media, prior to commissioning the filter.



## The Ultimate In Filtration



CLIMATECARE  
CERTIFIED

\*in conjunction with  
Micron Eco filter

Technical Specifications	
Filtration Media	Glass Pearl
Backwash rate	16m <sup>3</sup> /hr/m <sup>2</sup>
Effective Size (mm)	0.61
Uniformity Coefficient	1.21
Bulk Density	1.61
Mohs Hardness	7.0

Chemical Compositions	
Silicon dioxide (SiO <sub>2</sub> )	70.00 - 75.00%
Sodium oxide (Na <sub>2</sub> O)	12.00 - 15.00%
Calcium oxide (CaO)	7.00 - 12.00%
Magnesium oxide (MgO)	approx - 5.00%
Aluminium (AL <sub>2</sub> O <sub>3</sub> )	approx - 2.50%
Potassium oxide (K <sub>2</sub> O)	approx- 1.50%

# Pumps

Pumps





# Pumps



## WATERCO AQUAMITE PUMPS - Single Phase 220v - 240v, S/S shaft, CE approved

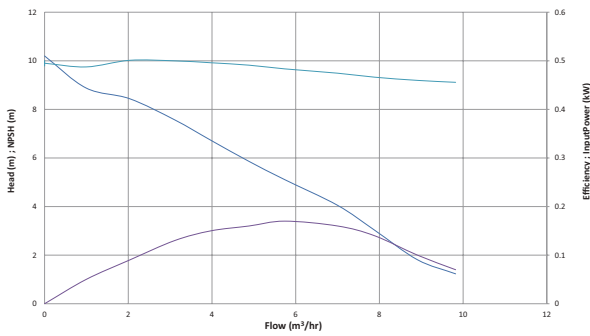
Part No.	Product Description	Q. Max	P. Max
2402033PNR-M	Aquamite 033	9.8m <sup>3</sup> /hr	0.53kW
2402050PNR-M	Aquamite 050	12.9m <sup>3</sup> /hr	0.58kW
2402075PNR-M	Aquamite 075	15.9m <sup>3</sup> /hr	0.68kW
2402100PNR-M	Aquamite 100	17.5m <sup>3</sup> /hr	0.74kW
2402125PNR-M	Aquamite 125	20.6m <sup>3</sup> /hr	0.88kW

1 1/2" port supplied with 1/2" imperial & 50mm metric quick connect unions.  
Pump Warranty - 3 years wet end, 2 years motor and 1 year mechanical seal.  
Silicon carbide seal required for salt water installations, pricing available on request

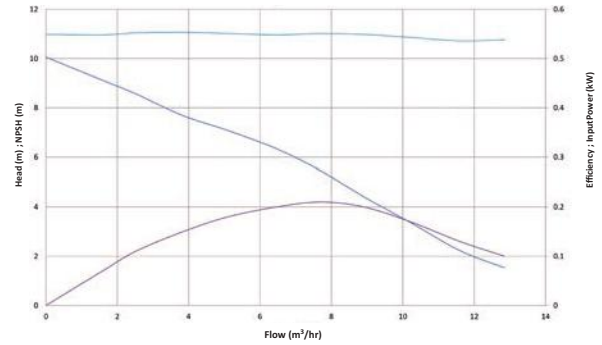
The Aquamite is a compact pump ideal for domestic swimming pools and small recirculation systems, including ponds and water features.

— Curve — Efficiency — Input Power (kW)

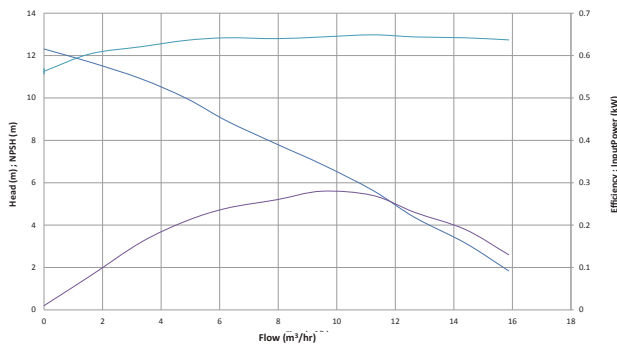
Flow Curve Aquamite 033



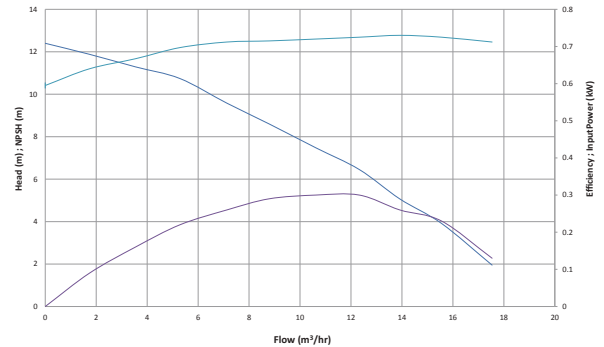
Aquamite 050



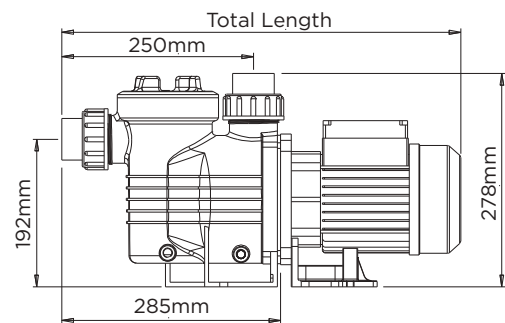
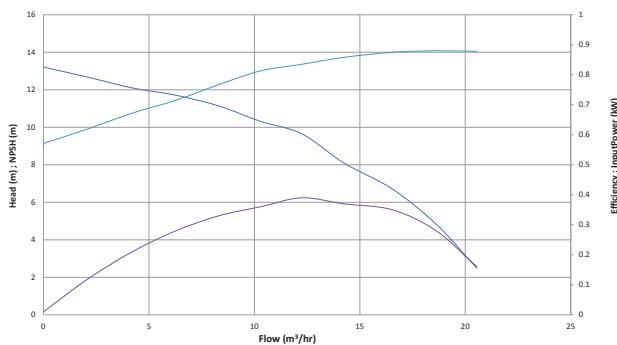
Aquamite 075



Aquamite 100



Aquamite 125



### Specifications

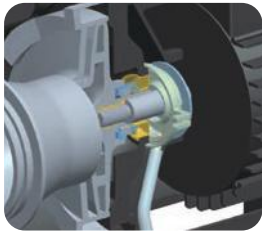
Model	HP	Pmax kW	Amps	Phase	Total Length (mm)	Motor Frame	Flow Rate Qmax.
Aquamite 033	0.33	0.530	2.3	1	539	71	9.8m <sup>3</sup> /hr
Aquamite 050	0.50	0.580	2.6	1	539	71	12.9m <sup>3</sup> /hr
Aquamite 075	0.75	0.680	3.1	1	539	71	15.9m <sup>3</sup> /hr
Aquamite 100	1.00	0.740	3.4	1	539	71	17.5m <sup>3</sup> /hr
Aquamite 150	1.25	0.880	3.9	1	539	71	20.6m <sup>3</sup> /hr

Phase	Volts	Cycle	RPM
1	220 - 240	50	2860

# Pumps



Supastream pumps are general purpose units designed for use in swimming pools and low pressure water recirculation applications.



## WATERCO SUPASTREAM PUMPS - Single Phase 220v - 240v, S/S shaft, CE approved

Part No.	Product Description	Q. Max	P. Max
1/2" port supplied with 1/2" imperial & 50mm metric quick connect unions. Pump Warranty - 3 years wet end, 2 years motor and 1 year mechanical seal.			
2403050PNR-M	Supastream 050	13.8m <sup>3</sup> /hr	0.570kW
2403075PNR-M	Supastream 075	16.4m <sup>3</sup> /hr	0.653kW
2403100PNR-M	Supastream 100	20.1m <sup>3</sup> /hr	0.860kW
2403150PNR-M	Supastream 150	25.5m <sup>3</sup> /hr	1.112kW

All models also available with 2"/63mm ports - pricing and availability on request. Silicon carbide seal required for salt water installations, pricing available on request

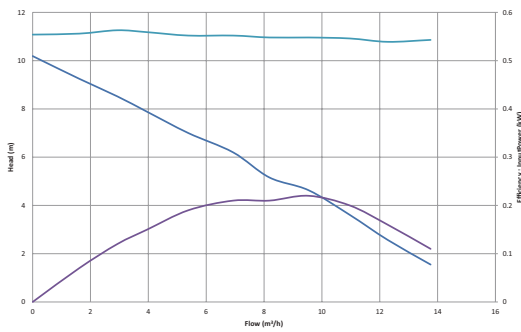
## WATERCO SUPASTREAM PUMPS - Three Phase 380v - 415v, S/S shaft, CE approved

Part No.	Product Description	Q. Max	P. Max
1/2" port supplied with 1/2" imperial & 50mm metric quick connect unions. Pump Warranty - 3 years wet end, 2 years motor and 1 year mechanical seal.			
24030503EUM	Supastream 050	14.4m <sup>3</sup> /hr	0.590kW
24030753EUM	Supastream 075	15.0m <sup>3</sup> /hr	0.590kW
24031003E3EUM	Supastream 100	19.3m <sup>3</sup> /hr	0.808kW
24031503E3EUM	Supastream 150	21.2m <sup>3</sup> /hr	0.907kW

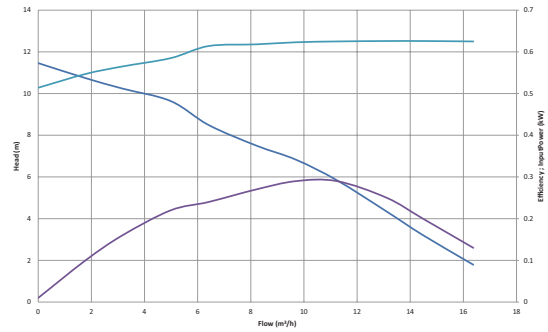
All models also available with 2"/63mm ports - pricing and availability on request. Silicon carbide seal required for salt water installations, pricing available on request

Flow Curve

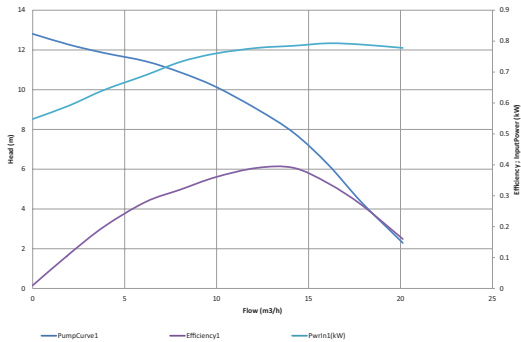
Supastream 050



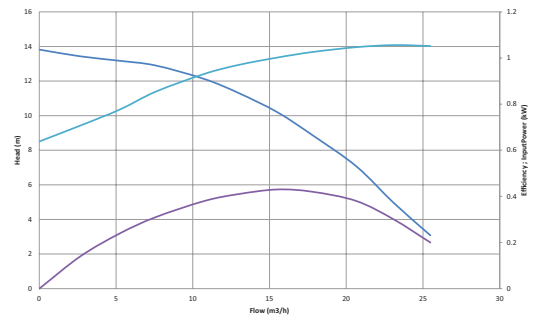
Supastream 075



Supastream 100



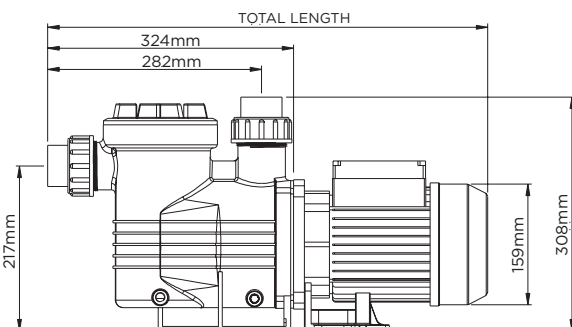
Supastream 150



## Specifications

Model	HP	Pmax kW	Amps	Phase	Total Length (mm)	Motor Frame	Flow Rate Qmax.
Supastream 050	0.50	0.57	2.5	1	574	71	13.8m <sup>3</sup> /hr
Supastream 050	0.50	0.59	1.3	3	574	63	14.4m <sup>3</sup> /hr
Supastream 075	0.75	0.653	2.9	1	574	71	16.4m <sup>3</sup> /hr
Supastream 075	0.75	0.59	1.2	3	595	71	15.0m <sup>3</sup> /hr
Supastream 100	1.00	0.86	3.6	1	536	71	20.1m <sup>3</sup> /hr
Supastream 100	1.50	0.808	2.1	3	559	71	19.3m <sup>3</sup> /hr
Supastream 150	1.50	1.112	5.0	1	559	80	25.5m <sup>3</sup> /hr
Supastream 150	1.50	0.907	2.1	3	580	80	21.2m <sup>3</sup> /hr

Phase	Volts	Cycle	RPM
1	220 - 240	50	2860
3	380 - 415	50	2860



# Pumps



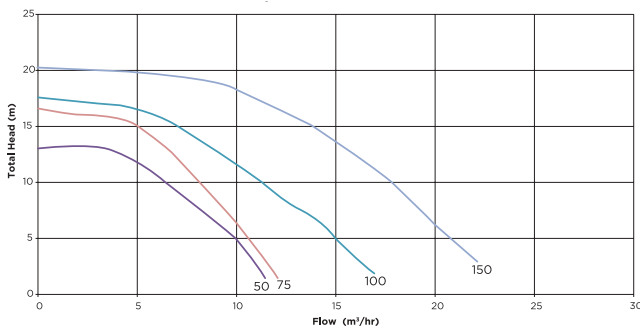
## WATERCO LACRONITE PUMPS—Single phase 220v–240v, S/S shaft, CE approved

Part No.	Product Description	Q. Max	P. Max
1/2" port supplied with 1/2" imperial & 50mm metric quick connect unions and internal threaded connections. Pump Warranty - 3 years wet end, 2 years motor and 1 year mechanical seal.			
24070050PNR-M	Lacronite 0.5HP	11.7m <sup>3</sup> /h	0.588kW
24070075PNR-M	Lacronite 0.75HP	12.3m <sup>3</sup> /h	0.662kW
24070100PNR-M	Lacronite 1HP	17.2m <sup>3</sup> /h	0.873kW
24070150PNR-M	Lacronite 1.5HP	22.8m <sup>3</sup> /h	1.379kW

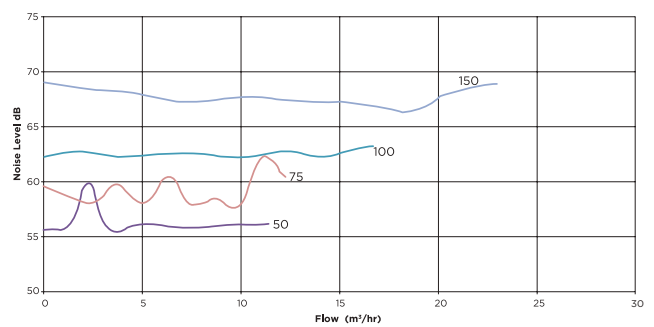
Silicon Carbide seal required for salt water applications, pricing available on request.

The Lacronite pump is ideal for large domestic swimming pools with ancillary systems such as heating, in-floor cleaning, fountains, vacuum cleaning and swim jets.

Flow Curve



Noise Curve



Pumps

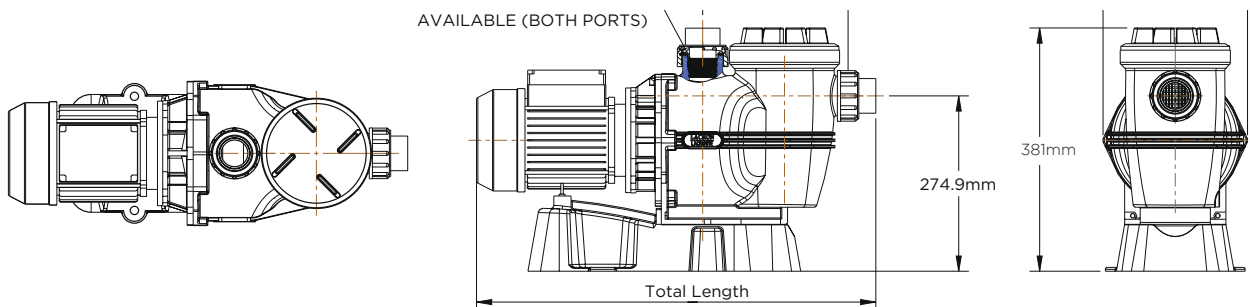
Direct replacement for the STARITE 5P2R and the Hayward Super Pump

NO alteration of plumbing required

### Specifications

Model	Flow rate m <sup>3</sup> /hr		Nominal Power (hp)	Motor input (kW)	Amps	Total Length (mm)	Total Width (mm)	Total High (mm)
	8m	10m						
Lacronite 50	8	6	0.50	0.588	3.2	597	227	381
Lacronite 75	9	8	0.75	0.662	3.7	597	227	381
Lacronite 100	14	12	1.00	0.873	4.3	597	227	381
Lacronite 150	19	17	1.50	1.379	6.2	617	227	381

Phase	Volts	Cycle	RPM
1	220 - 240	50	2860



# Pumps

## LACRONITE ECO-Vs

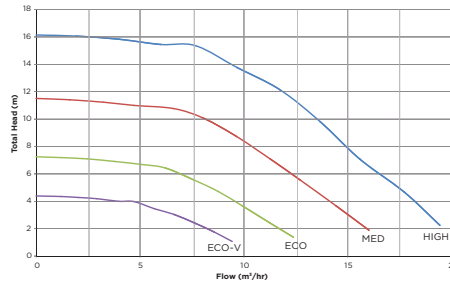


The Lacronite ECO VS pump is ideal for large domestic swimming pools with ancillary systems such as heating, in-floor cleaning, fountains, vacuum cleaning and swim jets.

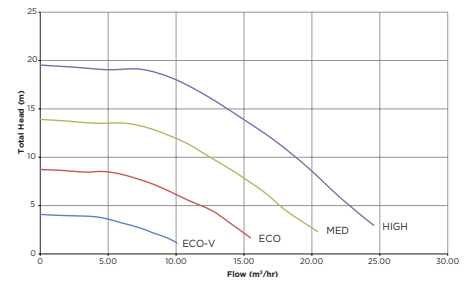
### WATERCO LACRONITE ECO-VS PUMPS—Single phase 220v–240v, S/S shaft, CE approved

Part No.	Product Description	P. Max
1½" port supplied with 1½" imperial & 50mm metric quick connect unions and internal threaded connections. Pump Warranty - 3 years wet end, 2 years motor and 1 year mechanical seal.		
240701009	Lacronite ECO VS 1HP	0.892kW
240701509	Lacronite ECO VS 1.5HP	1.209kW
Silicon Carbide seal required for salt water applications, pricing available on request.		
8518070	5m communication cable	

Flow Curve

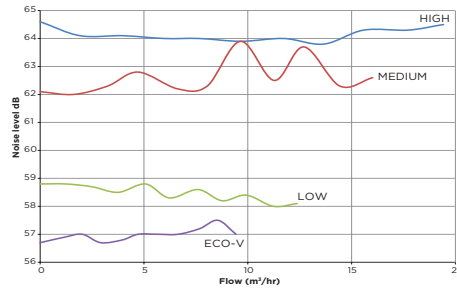


ECO-Vs 100

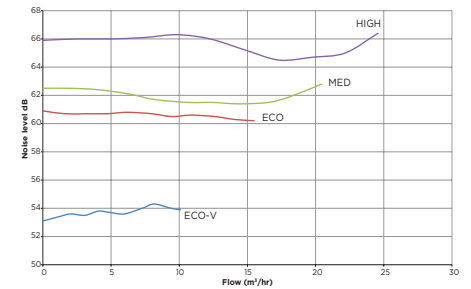


ECO-Vs 150

Noise Curve



ECO-Vs 100



ECO-Vs 150

Direct replacement for the STARITE 5P2R and the Hayward Super Pump  
NO alteration of plumbing required

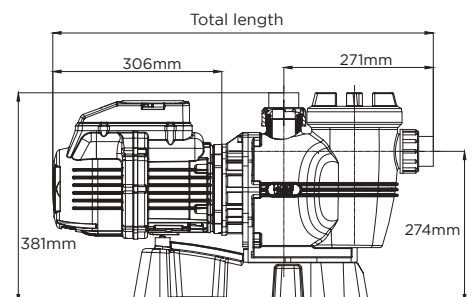
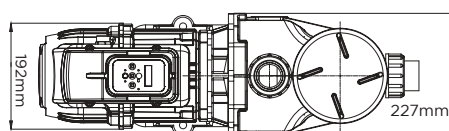


### Specifications

Model	Flow rate m³/hr		Nominal Power (hp)	Motor input (kW)	Amps	Total Length (mm)	Total Width (mm)	Total High (mm)
	8m	10m						
Lacronite 100ECO -Vs	14	12	1.00	0.892	6.5	630	227	381
Lacronite 150ECO -Vs	19	17	1.50	1.209	8.5	638	227	381

Phase	Volts	Cycle	RPM
1	220 - 240	50	1900 (Low) , 2410 (Medium) , 2850 (High)

Inlet / outlet ports include external and internal threads



# Pumps



The Supatuf is ideal for large domestic swimming pools with ancillary systems.

## WATERCO SUPATUF MK2 PUMPS - Single Phase 220v - 240v, S/S shaft

Part No.	Product Description	Q. Max	P. Max
2" port supplied with 2" imperial & 63mm metric quick connect unions			
Pump Warranty - 3 years wet end, 2 years motor and 1 year mechanical seal			
2410500EUM	Supatuf MK2 050	13.8m <sup>3</sup> /hr	0.455kW
2410750EUM	Supatuf MK2 075	15.6m <sup>3</sup> /hr	0.598kW
24110002EUM	Supatuf MK2 100	20.6m <sup>3</sup> /hr	0.841kW
24115002EUM	Supatuf MK2 150	25.5m <sup>3</sup> /hr	1.084kW
2412000EUM	Supatuf MK2 200	30.5m <sup>3</sup> /hr	1.500kW
2413000EUM	Supatuf MK2 300	34.6m <sup>3</sup> /hr	1.959kW

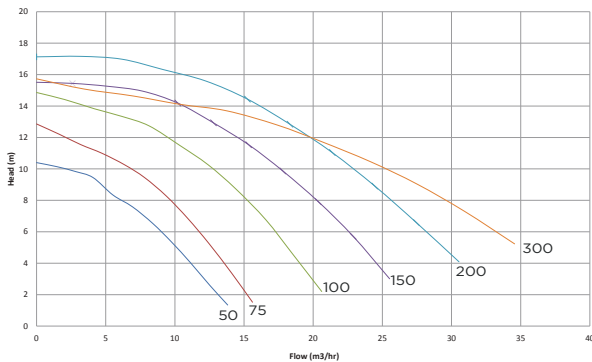
Silicon carbide seal required for salt water installations, pricing available on request

## WATERCO SUPATUF MK2 PUMPS - Three Phase 380v - 415v, S/S shaft

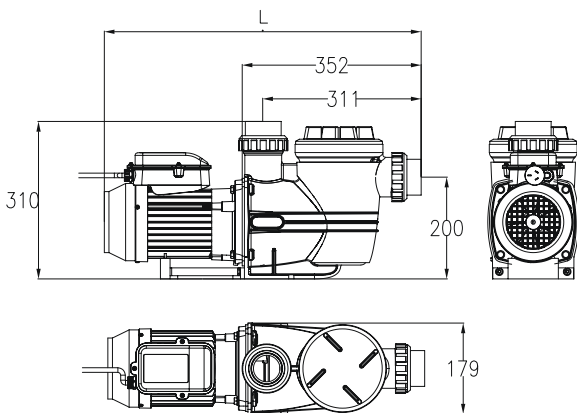
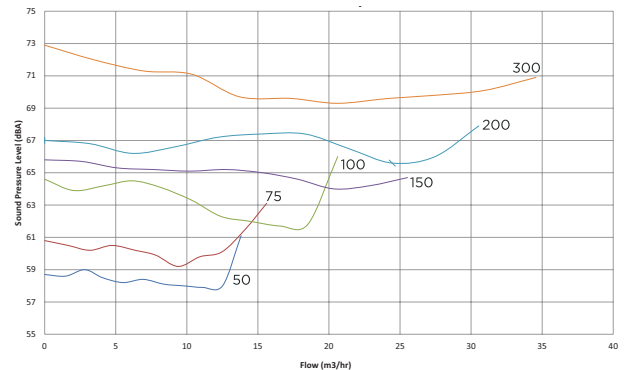
Part No.	Product Description	Q. Max	P. Max
2" port supplied with 2" imperial & 63mm metric quick connect unions			
Pump Warranty - 3 years wet end, 2 years motor and 1 year mechanical seal			
24105003EUM	Supatuf MK2 050	13.9m <sup>3</sup> /hr	0.446kW
24107503EUM	Supatuf MK2 075	15.5m <sup>3</sup> /hr	0.596kW
241100023E3EUM	Supatuf MK2 100	21.4m <sup>3</sup> /hr	0.872kW
241150023E3EUM	Supatuf MK2 150	26m <sup>3</sup> /hr	1.09kW
24120003E3EUM	Supatuf MK2 200	30.7m <sup>3</sup> /hr	1.479kW
24130003E3EUM	Supatuf MK2 300	36m <sup>3</sup> /hr	2.073kW

Silicon carbide seal required for salt water installations, pricing available on request

Flow Curve

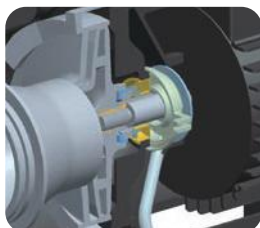


Noise Curve



## Specifications

Model	HP	Pmax kW	Amps	Phase	Total Length (mm)	Motor Frame	Flow Rate Qmax.
Supatuf 050	0.50	0.455	2.1	1	602	63	13.8m <sup>3</sup> /hr
Supatuf 050	0.50	0.446	1.1	3	587	71	13.9m <sup>3</sup> /hr
Supatuf 075	0.75	0.598	2.7	1	602	71	15.6m <sup>3</sup> /hr
Supatuf 075	0.75	0.596	1.3	3	587	71	15.5m <sup>3</sup> /hr
Supatuf 100	1.00	0.841	3.70	1	602	71	20.6m <sup>3</sup> /hr
Supatuf 100	1.00	0.872	2.1	3	587	71	21.4m <sup>3</sup> /hr
Supatuf 150	1.50	0.84	4.8	1	623	80	25.5m <sup>3</sup> /hr
Supatuf 150	1.50	1.017	1.9	3	608	80	25.5m <sup>3</sup> /hr
Supatuf 200	2.00	1.500	6.6	1	663	80	30.5m <sup>3</sup> /hr
Supatuf 200	2.00	1.479	2.1	3	629	80	30.7m <sup>3</sup> /hr
Supatuf 300	3.00	1.959	8.8	1	663	80	34.6m <sup>3</sup> /hr
Supatuf 300	3.00	2.073	4.4	3	655	90	36.0m <sup>3</sup> /hr



Phase	Volts	Cycle	RPM
1	220 - 240	50	2860
3	380 - 415	50	2860



# Pumps



## WATERCO SUPATUF ECO-V PUMPS - Single Phase 220v - 240v, S/S shaft

Part No.	Product Description	P. Max
2" port supplied with 2" imperial & 63mm metric quick connect unions		
Pump Warranty - 3 years wet end, 2 years motor and 1 year mechanical seal		
2411009EUM	Supatuf Eco-V 100	22.1m <sup>3</sup> /hr 0.84kW
24115009EUM	Supatuf Eco-V 150	26.8m <sup>3</sup> /hr 1.03kW
8518070	5m communication cable	
Silicon carbide seal required for salt water installations, pricing available on request		

Supatuf ECO-V's 3 speed options cater for most pool functions.

- High speed - Vacuuming and backwash, 1% of the time.
- Medium speed - Automatic pool cleaners.
- Low speed - Filtration, 99% of the time

As a pool's filtration cycle occupies 99% of the run time of a pool pump, you can operate the Supatuf ECO-V on its low speed setting for a majority of its running time, leading to significant energy savings.

Equipped with an energy saving variable speed motor, Supatuf ECO-V is capable of lowering its energy usage, reducing its energy usage and reducing its operating noise levels.

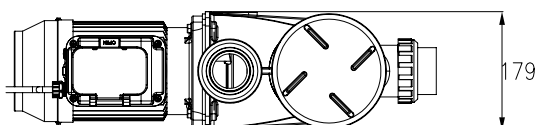
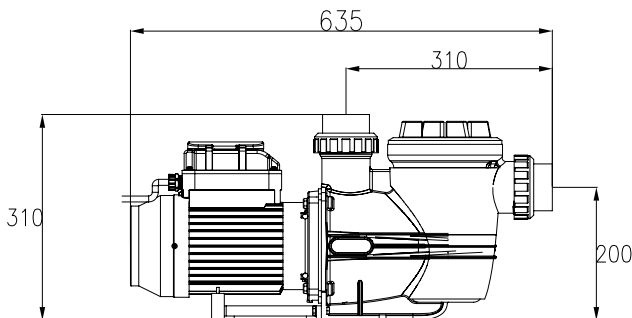
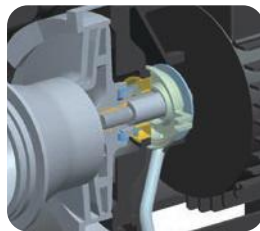
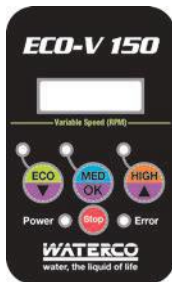
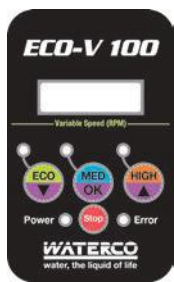
- Permanent magnet brushless DC motor
- Ultra quiet operation
- 2" / 63mm quick connect unions



### Specifications

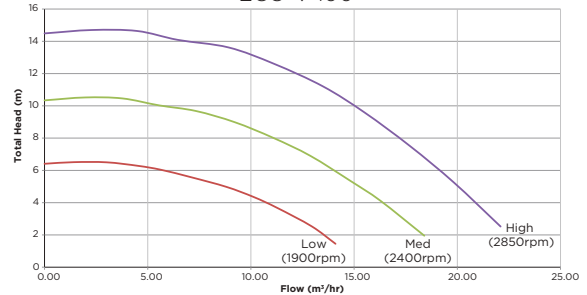
Model	HP	Pmax kW	Amps	Total Length (mm)	input (kW)
Supatuf Eco-V100	1.00	0.813	5.7	635	0.975
Supatuf Eco-V150	1.50	1.012	7.0	635	1.400

Phase	Volts	Cycle	RPM
1	220 - 240	50	1900 (Low) 2410 (Medium) 2850 (High)

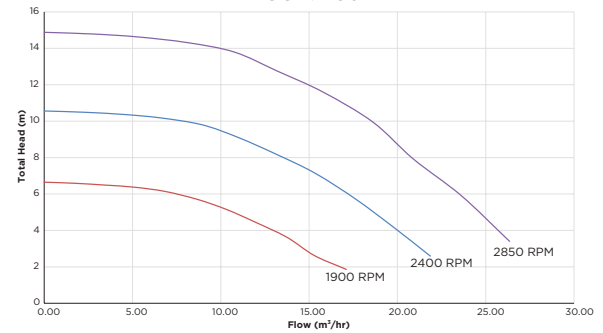


Flow Curve

ECO-V 100

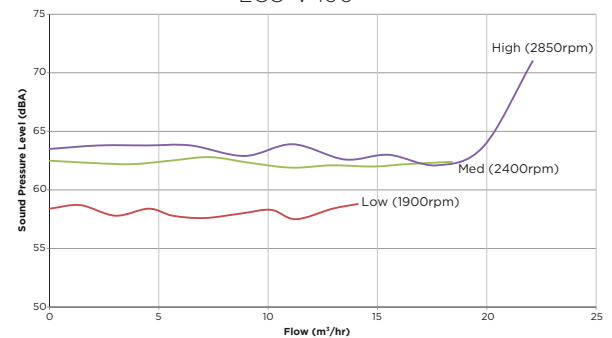


ECO-V 150

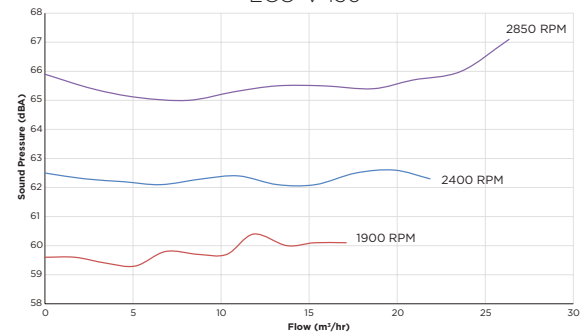


Noise Curve

ECO-V 100



ECO-V 150



# Pumps



The Hydrostorm is designed to have all the extra power you need to cope with today's swimming pool designs.

## WATERCO HYDROSTORM PUMPS HIGH HEAD - Single Phase 220v - 240v, S/S shaft

Part No.	Product Description	Q. Max	P. Max
2" port supplied with 2" imperial & 63mm metric quick connect unions. Pump Warranty - 3 years wet end, 2 years motor and 1 year mechanical seal.			
244100PNR-M	Hydrostorm 100	19.7m <sup>3</sup> /hr	0.870kW
244150PNR-M	Hydrostorm 150	24.7m <sup>3</sup> /hr	1.310kW
244200PNR-M	Hydrostorm 200	25.9m <sup>3</sup> /hr	1.920kW
244300PNR-M	Hydrostorm 300	36.3m <sup>3</sup> /hr	2.150kW

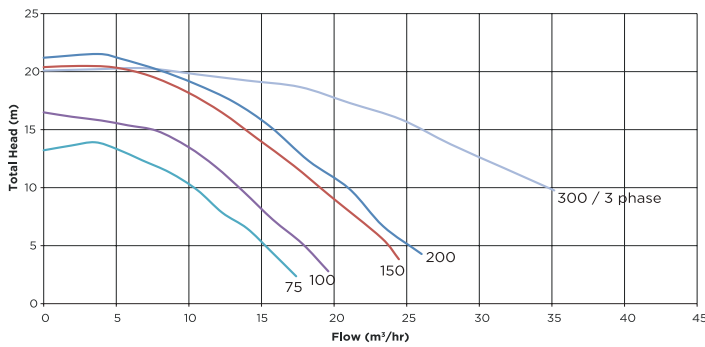
Silicon carbide seal required for salt water installations, pricing available on request

## WATERCO HYDROSTORM PUMPS HIGH HEAD - Three Phase 380v - 415v, S/S shaft

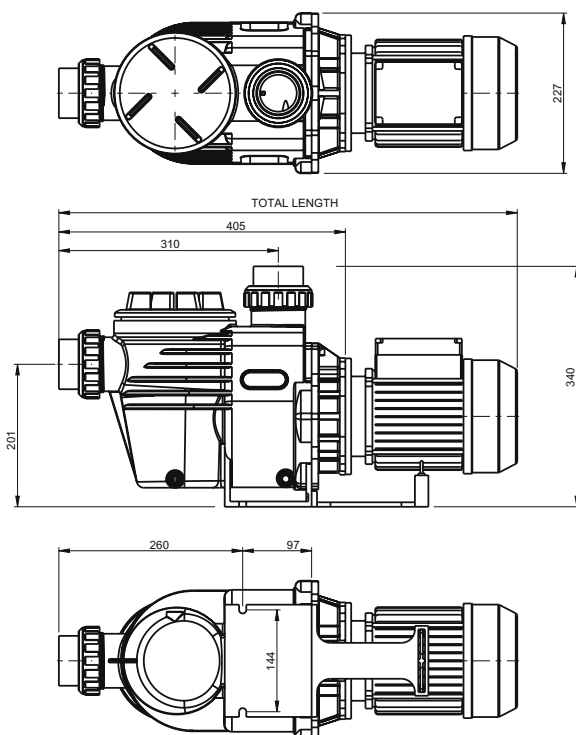
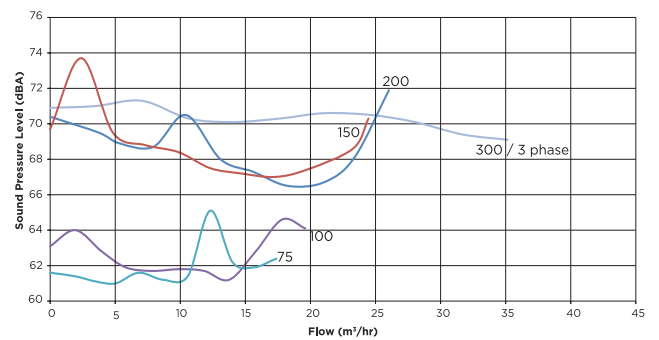
Part No.	Product Description	Q. Max	P. Max
2" port supplied with 2" imperial & 63mm metric quick connect unions. Pump Warranty - 3 years wet end, 2 years motor and 1 year mechanical seal.			
2441003EUM	Hydrostorm 100	19.7m <sup>3</sup> /hr	0.860kW
2441503EUM	Hydrostorm 150	24.1m <sup>3</sup> /hr	1.282kW
2442003EUM	Hydrostorm 200	26.3m <sup>3</sup> /hr	1.490kW
2443003EUM	Hydrostorm 300	36.3m <sup>3</sup> /hr	2.152kW

Price and availability for TÜV approved models available on request  
Silicon carbide seal required for salt water installations, pricing available on request

Flow Curve



Noise Level



## Specifications

Model	HP	Pmax KW	Amps	Phase	Total Length (mm)	Motor Frame	Flow Rate Qmax.
Hydrostorm 100	1.00	0.870	3.8	1	622	71	19.7m <sup>3</sup> /hr
Hydrostorm 100	1.00	0.860	2.1	3	618	71	19.7m <sup>3</sup> /hr
Hydrostorm 150	1.50	1.310	5.4	1	642	80	24.7m <sup>3</sup> /hr
Hydrostorm 150	1.50	1.382	2.4	3	647	80	24.1m <sup>3</sup> /hr
Hydrostorm 200	2.00	1.92	6.1	1	642	80	25.9m <sup>3</sup> /hr
Hydrostorm 200	2.00	1.49	3.2	3	647	80	26.3m <sup>3</sup> /hr
Hydrostorm 300	3.00	2.150	10.0	1	682	80	36.3m <sup>3</sup> /hr
Hydrostorm 300	3.00	2.152	4.2	3	691	80	36.3m <sup>3</sup> /hr

Phase	Volts	Cycle	RPM
1	220 - 240	50	2860
3	380 - 415	50	2860

# Pumps



The Hydrostorm Plus has all the proven features of the Hydrostorm with the added benefit of an innovative lid and locking for easier maintenance and a larger strainer basket for increased capacity.

## WATERCO HYDROSTORM PLUS PUMPS HIGH HEAD - Single Phase, S/S shaft

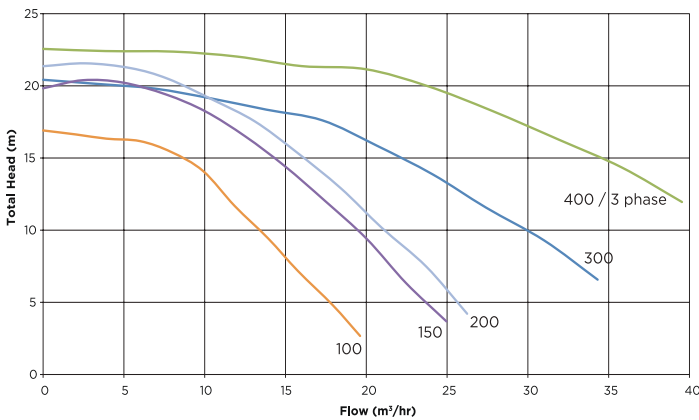
Part No.	Product Description	Q. Max	P. Max
2" Ports supplied with imperial & metric quick connect unions. Pump Warranty - 3 years wet end, 2 years motor and 1 year mechanical seal.			
2405100PNR-M	Hydrostorm Plus 100 - 2" / 63mm	19.8m <sup>3</sup> /hr	0.910kW
2405150PNR-M	Hydrostorm Plus 150 - 2" / 63mm	25.2m <sup>3</sup> /hr	1.380kW
2405200PNR-M	Hydrostorm Plus 200 - 2" / 63mm	25.9m <sup>3</sup> /hr	1.420kW
2405300PNR-M	Hydrostorm Plus 300 - 2.5" / 75mm	34.9m <sup>3</sup> /hr	1.87kW

Silicon carbide seal required for salt water installations, pricing available on request

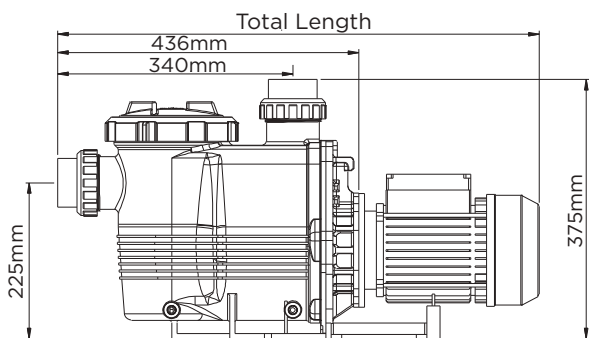
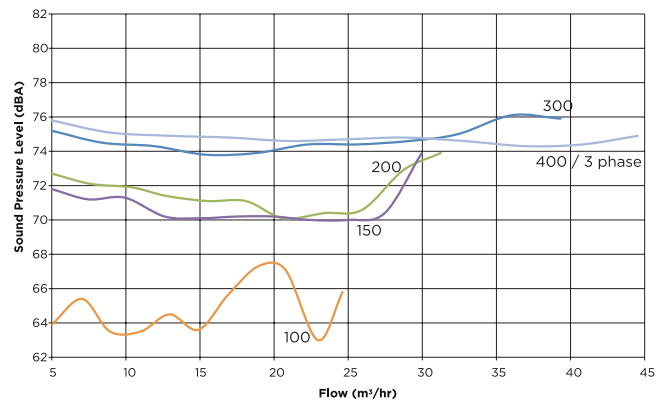
## WATERCO HYDROSTORM PLUS PUMPS HIGH HEAD -Three Phase, S/S shaft

Part No.	Product Description	Q. Max	P. Max
24051503E3EUM	Hydrostorm Plus 150 - 2" / 63mm	24.0m <sup>3</sup> /hr	1.300kW
24052003E3EUM	Hydrostorm Plus 200 - 2" / 63mm	26.4m <sup>3</sup> /hr	1.511kW
24053003E3EUM	Hydrostorm Plus 300 - 2.5" / 75mm	36.6m <sup>3</sup> /hr	2.096kW
24054003E3EUM	Hydrostorm Plus 400 - 2.5" / 75mm	51.0m <sup>3</sup> /hr	2.738kW

Flow Curve



Noise Level



## Specifications

Model	HP	Pmax kW	Amps/Phase	Phase	Total Length (mm)	Motor Frame	Flow Rate Qmax.
Hydrostorm Plus 100	1.00	0.910	4.0	1	652	71	19.8m <sup>3</sup> /hr
Hydrostorm Plus 150	1.50	1.380	5.7	1	672	80	25.2m <sup>3</sup> /hr
Hydrostorm Plus 150	1.50	1.30	2.4	3	677	80	24.0m <sup>3</sup> /hr
Hydrostorm Plus 200	2.00	1.402	6.1	1	672	80	25.9m <sup>3</sup> /hr
Hydrostorm Plus 200	2.00	1.511	2.4	3	677	80	26.4m <sup>3</sup> /hr
Hydrostorm Plus 300	3.00	2.007	8.8	1	729	80	34.9m <sup>3</sup> /hr
Hydrostorm Plus 300	3.00	2.096	4.3	3	738	90	36.3m <sup>3</sup> /hr
Hydrostorm Plus 400	4.00	2.738	5.5	3	757	100	41.0m <sup>3</sup> /hr

Phase	Volts	Cycle	RPM
1	220 - 240	50	2860
3	380 - 415	50	2860

Pumps

# Pumps



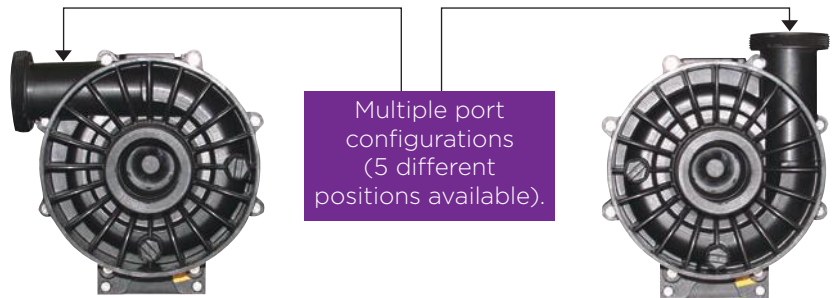
## WATERCO TURBOFLO PUMPS - Single Phase 220v - 240v, Three phase 380v - 415v, S/S shaft, CE approved

Part No.	Product Description	Q. Max	P. Max
2" port supplied with 2" imperial and 63mm metric quick connect unions. Pump Warranty - 3 years wet end, 2 years motor and 1 year mechanical seal.			
2462100PNR-M	TurboFlo 100	21.4m <sup>3</sup> /hr	0.940kW
2462125PNR-M	TurboFlo 125	22.4m <sup>3</sup> /hr	1.050kW
2462150PNR-M	TurboFlo 150	27.1m <sup>3</sup> /hr	1.400kW
2462200PNR-M	TurboFlo 200	29.0m <sup>3</sup> /hr	1.414kW
2462250PNR-M	TurboFlo 250	33.3m <sup>3</sup> /hr	1.700kW
2462300PNR-M	TurboFlo 300	40.2m <sup>3</sup> /hr	2.480kW
2462400E3PNR-M	TurboFlo 400 (three phase)	48.3m <sup>3</sup> /hr	3.060kW

TurboFlo is a hydraulically efficient, high performance pump designed for pools and spas with high power requirements. It has an adjustable wet end which can be configured to suit up to 5 different plumbing conditions.

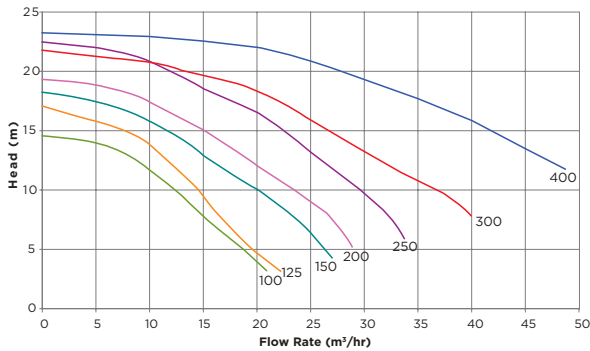
### Adjustable wet end

The outlet port of the TurboFlo can be configured to suit different plumbing conditions.

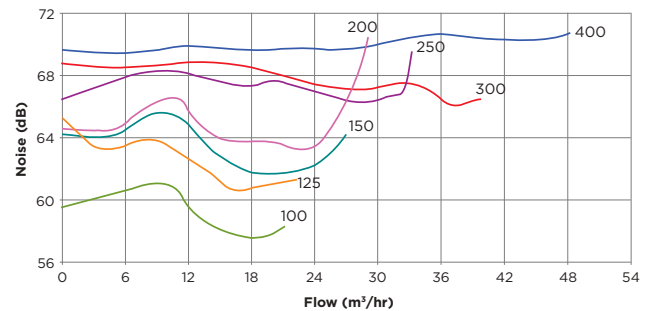


Pumps

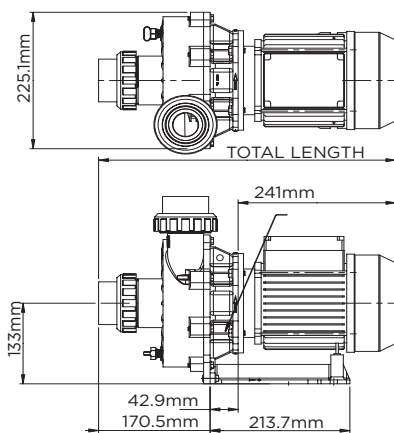
Flow Curves



Noise Curve

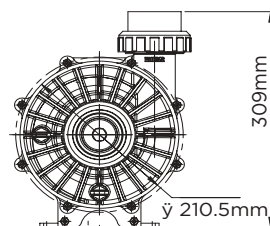


### Dimensions



Model	Nominal Power (hp)	Motor Input (kW)	Amps	Total Length (mm)	Motor Frame (mm)	Inlet/Outlet
TurboFlo 100	1.00	0.940	4.1	430	71	2"/63mm
TurboFlo 125	1.25	1.050	4.5	450	80	2"/63mm
TurboFlo 150	1.50	1.400	5.9	450	80	2"/63mm
TurboFlo 200	2.00	1.414	6.3	450	80	2"/63mm
TurboFlo 250	2.50	1.700	8.2	490	80	2"/63mm
TurboFlo 300	3.00	2.480	9.1	490	80	2"/63mm
TurboFlo 400	4.00	3.060	5.7	522	100	2"/63mm

Phase	Volts	Cycle	RPM
1	220 - 240	50	2860
3	380 - 415	50	2860



# Commercial Pumps

Commercial  
Pumps



**WATERCO**  
water, the liquid of life



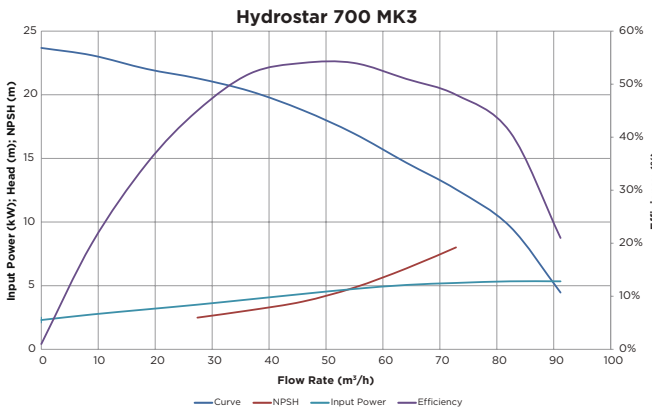
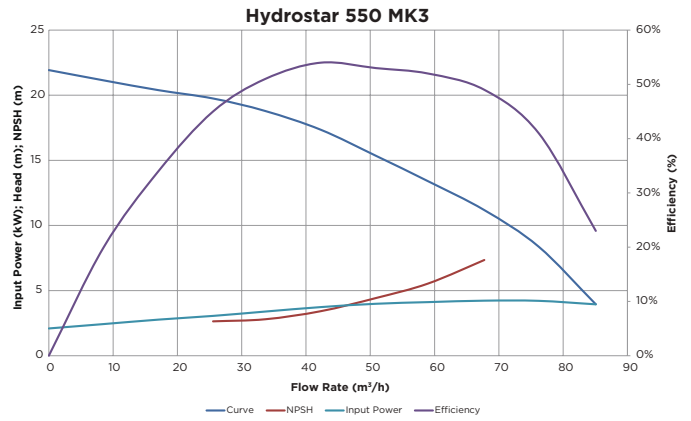
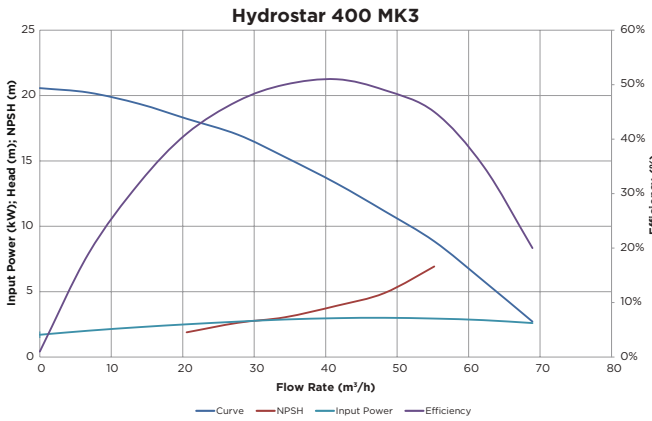
# Commercial Pumps



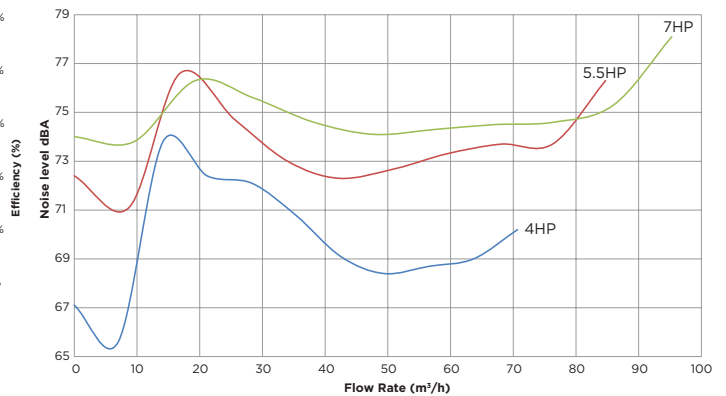
## WATERCO HYDROSTAR MK3 PUMPS - HIGH HEAD

Part No.	Product Description	Q. Max	P. Max
3" port supplied with 3" imperial & 90mm Metric quick connect unions			
240440033E3EUM	Hydrostar 400 MKIII	61.0m <sup>3</sup> /hr	2.92kW
240455033E3EUM	Hydrostar 550 MKIII	68.0m <sup>3</sup> /hr	3.16kW
240470033E3EUM	Hydrostar 700 MKIII	77.0m <sup>3</sup> /hr	5.18kW
Silicon carbide seal required for salt water installations, pricing available on request			

### Flow Curve



### Noise Level



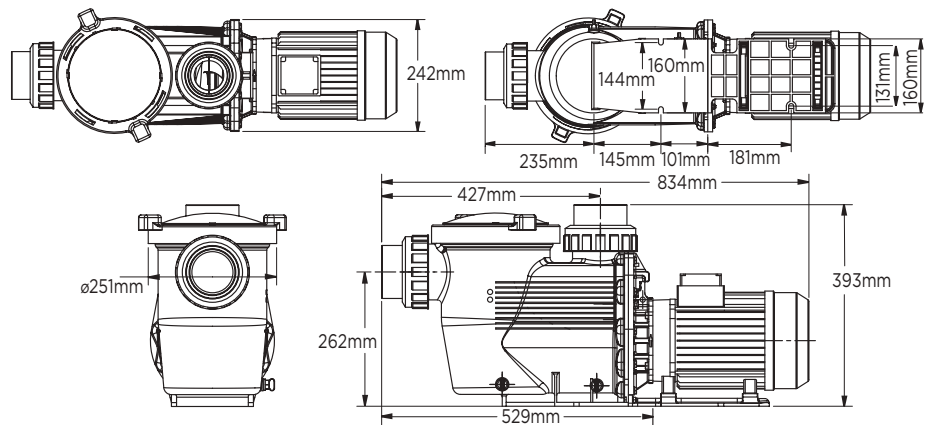
Commercial Pumps

The Hydrostar MKIII has been designed with an internal volute. The volute's hydraulic design provides a natural balanced water flow and reduces hydraulic turbulence.

### Specifications

Model	Nom. HP	kW	Hmax (m)	Pmax (kW)	Qmax (m <sup>3</sup> /hr)	Amps/Phase	Phase	Total Length (mm)	Motor Frame
Hydrostar MkIII 400	4.00	2.92	21	2.92	61	5.2	3	834	100
Hydrostar MkIII 500	5.50	3.16	21	3.16	68	5.8	3	834	100
Hydrostar MkIII 700	7.00	5.18	24	5.18	77	8.2	3	834	112

Phase	Volts	Cycle	RPM
3	380 - 420	50	2900



# Commercial Pumps



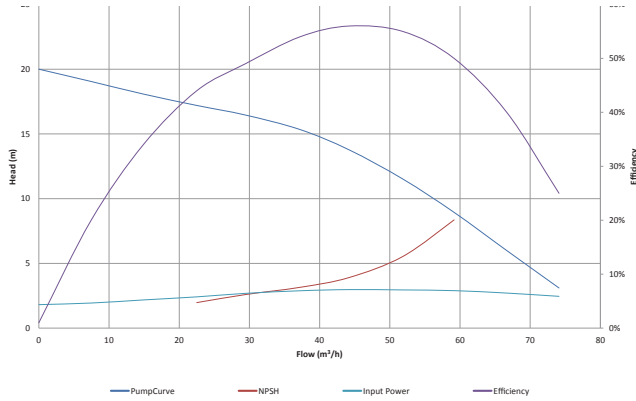
## WATERCO HYDROSTAR MK4 PUMPS - HIGH HEAD

Part No.	Product Description	Q. Max	P. Max
2404400333EUM	Hydrostar 400 MKIV	61.0m <sup>3</sup> /hr	2.98kW
2404550333EUM	Hydrostar 550 MKIV	68.0m <sup>3</sup> /hr	4.26kW
2404700333EUM	Hydrostar 700 MKIV	77.0m <sup>3</sup> /hr	5.40kW

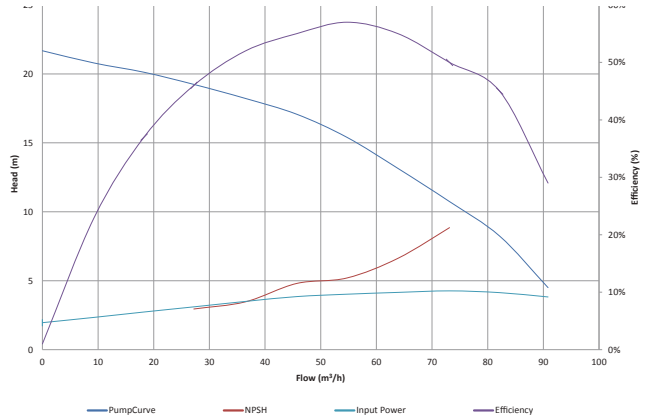
Silicon carbide seal required for salt water installations, pricing available on request

### Flow Curve

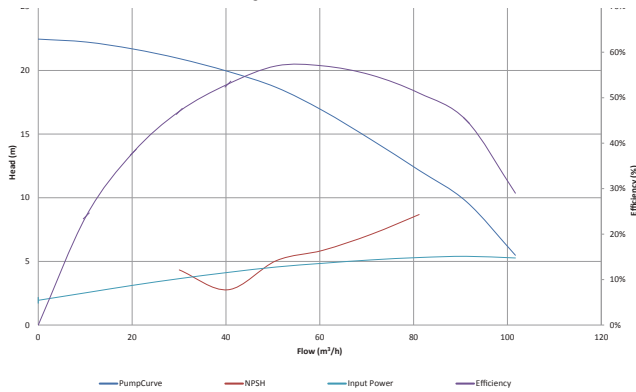
Hydrostar 400 Mk4



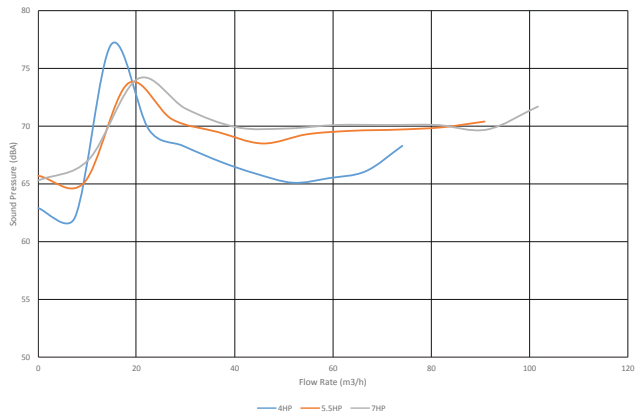
Hydrostar 550 Mk4



Hydrostar 700 Mk4



### Noise Level

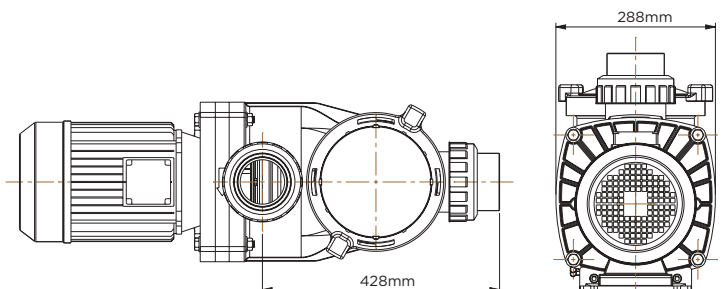
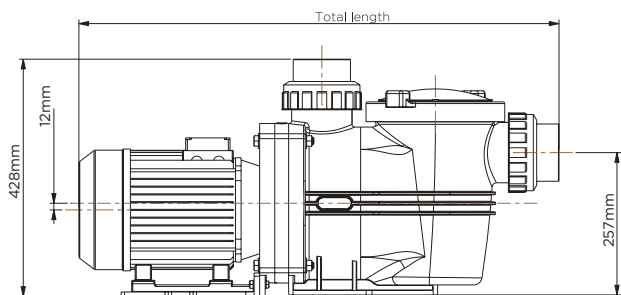


## Specifications

Model	Nom. HP	kW	Hmax (m)	Pmax (kW)	Qmax (m <sup>3</sup> /hr)	Amps/Phase	Phase	Total Length (mm)	Motor Frame
Hydrostar MkIV 400	4.00	2.98	21	2.98	61	5.2	3	846	100
Hydrostar MkIV 500	5.70	4.26	21	3.16	68	8.1	3	867	112
Hydrostar MkIV 700	7.20	5.40	24	5.18	77	10.3	3	929	112

Phase	Volts	Cycle	RPM
3	380 - 415	50	2900

The Hydrostar MKIV has been designed to provide a substantially quieter operation with even higher flow rates and higher head than the previous Hydrostar models. Waterco has optimised the pump's hydraulic efficiency by reshaping its internal profile.



Commercial Pumps

# Commercial Pumps

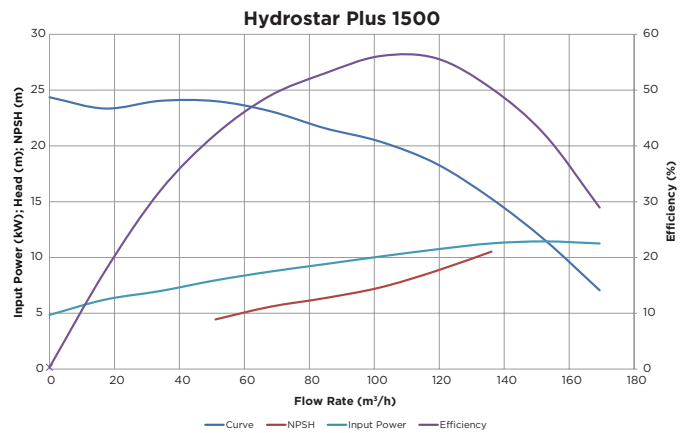
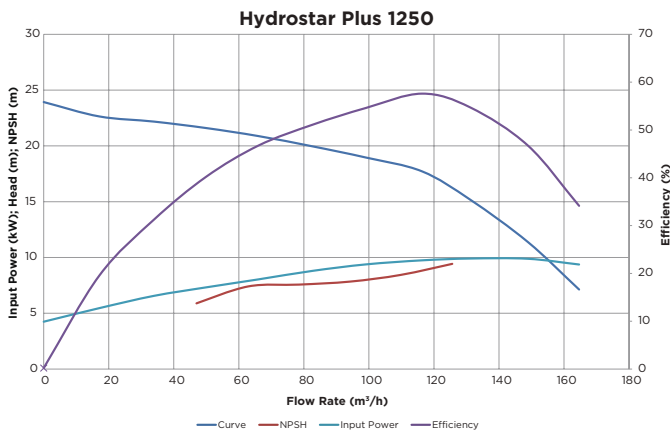
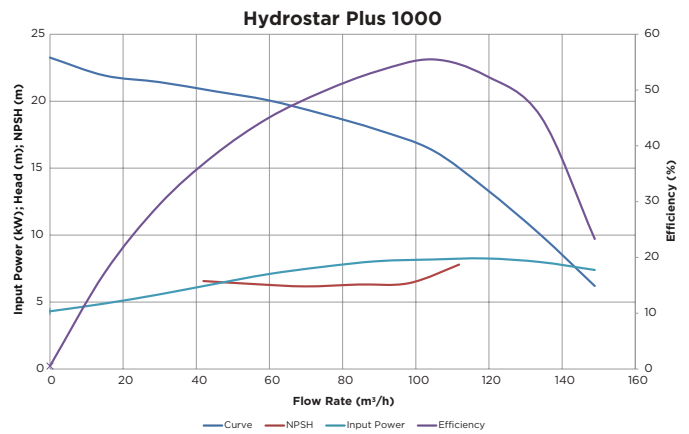
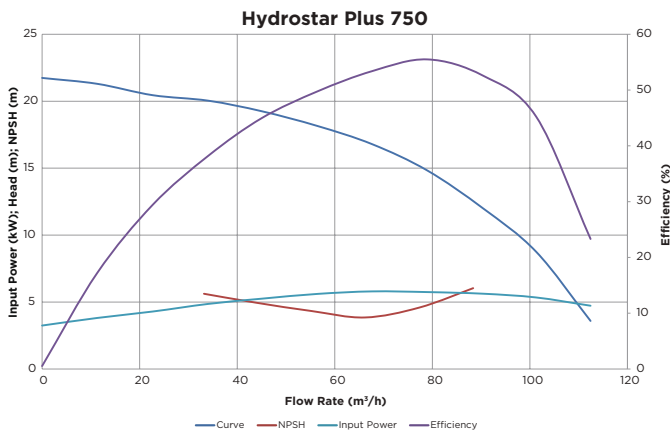


## WATERCO HYDROSTAR PLUS - 2940 RPM - Three Phase 380v - 415v

Part No.	Product Description	Q. Max	P. Max
2460750EUM	Hydrostar Plus 5.5kW / 7.5HP with strainer	122.40m <sup>3</sup> /hr	5.8kW
2461000EUM	Hydrostar Plus 7.5kW / 10HP with strainer	152.40m <sup>3</sup> /hr	8.5kW
2461250EUM	Hydrostar Plus 9.5kW / 12.5HP with strainer	164.64m <sup>3</sup> /hr	9.9kW
2461500EUM	Hydrostar Plus 11kW / 15HP with strainer	164.64m <sup>3</sup> /hr	11.4kW

Purpose built for aquatic facilities, water parks and large commercial swimming pools. Hydrostar Plus pumps are high performance corrosion resistant thermoplastic pumps.

### Flow Curve

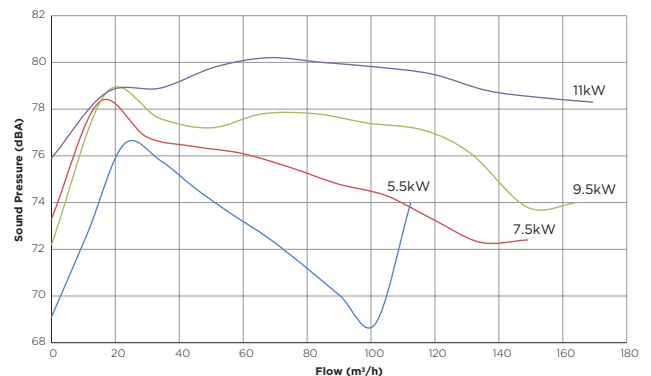


### Specifications

Model	Nom. HP	kW	Pmax (kW)	Qmax (m <sup>3</sup> /hr)	Amps/Phase	Total Length (mm)	Motor Frame
5.5kW / 7.5HP	8.3	6.2	8.5	122.40	10.15	1190	132
7.5kW / 10HP	11.4	8.5	6.2	152.40	14.35	1190	132
9.5kW / 12.5HP	14.1	10.5	9.9	164.64	17.6	1218	132
11kW / 15HP	15.3	11.4	11.4	164.40	20.3	1218	132

Phase	Volts	Cycle	RPM
3	380 - 415	50	2940

### Noise Level



# Commercial Pumps

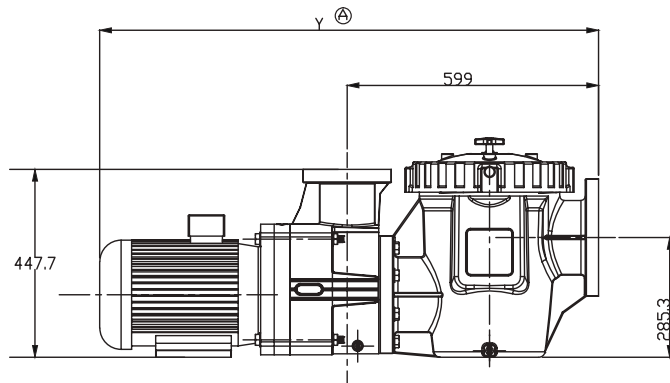
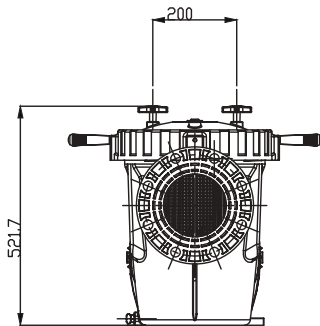
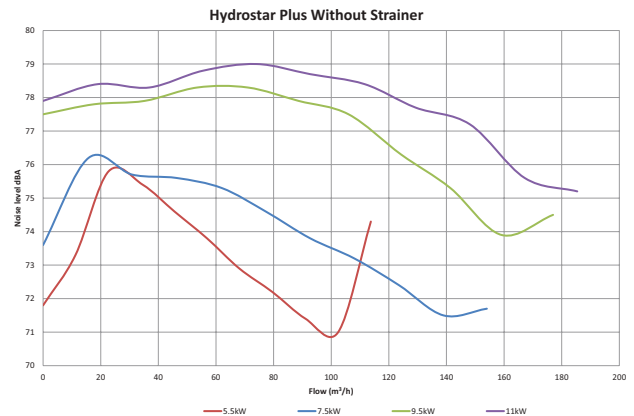
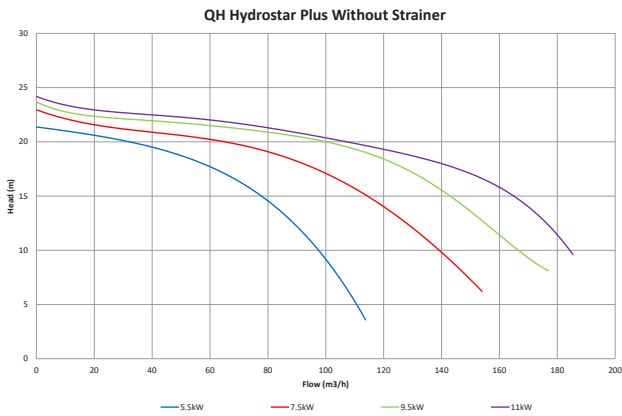


## WATERCO HYDROSTAR PLUS 2940 RPM - W/O STRAINER - Three Phase 380v - 415v

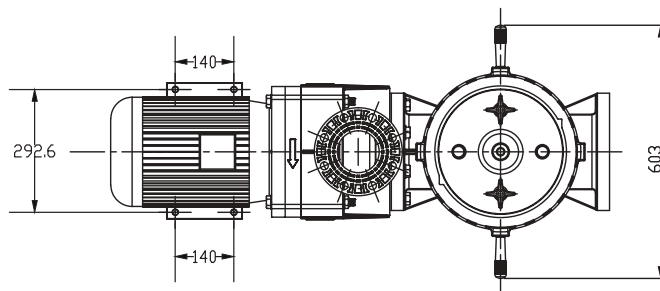
Part No.	Product Description	Q. Max	P. Max
2460751EUM	Hydrostar Plus 5.5kW / 7.5HP without strainer	114.4m <sup>3</sup> /hr	5.6kW
2461001EUM	Hydrostar Plus 7.5kW / 10HP without strainer	153.0m <sup>3</sup> /hr	8.2kW
2461251EUM	Hydrostar Plus 9.5kW / 12.5HP without strainer	170.2m <sup>3</sup> /hr	10.2kW
2461501EUM	Hydrostar Plus 11kW / 15HP without strainer	185.4m <sup>3</sup> /hr	12.2kW

Flow Curve

Noise Curve



Motor (kW)	Total Length (mm)
5.5	757
7.5	757
9.5	795
11	1218



## WATERCO BH5000 FLANGE ASSEMBLY KITS

Part No.	Product Description	Nominal Size
ZZGP600FK	6" Flange Assembly Kit - (Suction)	6"
ZZGP400FKAS	4" Flange Assembly Kit ANSI - (Discharge)	4"
ZZGP160FK	160mm Flange Assembly Kit - (Suction)	160mm
ZZGP110FKAS	110mm Flange Assembly Kit ANSI - (Discharge)	110mm

**Note:** Flange Assembly Kits Include:

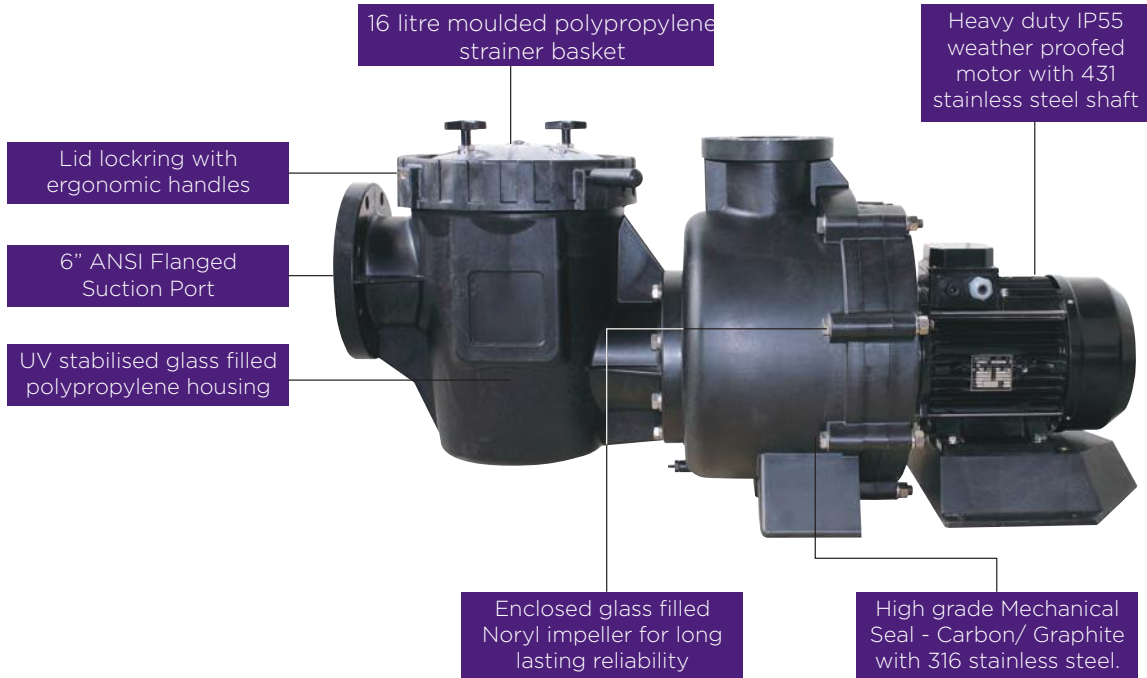
1 x Backing Ring, 1 x Stub Flange, 1 x Stub Gasket, 8 x bolts, 8 x Nuts and 16 x Washers

# Commercial Pumps

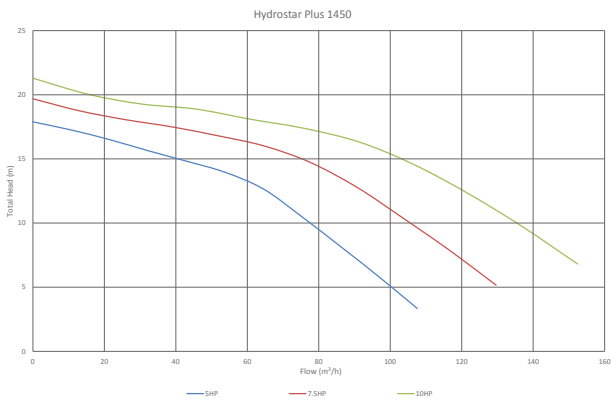
The Hydrostar Plus 1450 Rpm has been designed for maximum energy efficiency and optimal performance whilst maintaining super quiet operation.

## WATERCO HYDROSTAR PLUS 1450 Rpm - Three Phase 380v - 415v

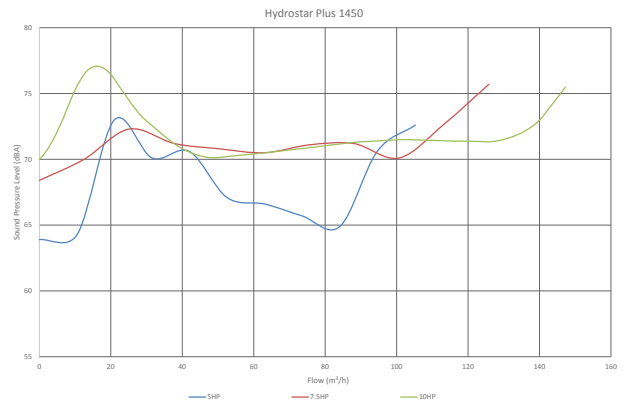
Part No.	Product Description	Q. Max	P. Max
2470500EUM	Hydrostar Plus 3.7 kW / 5.0HP	105.2m <sup>3</sup> /hr	4.19kW
2470750EUM	Hydrostar Plus 5.5kW / 7.5HP	125.8m <sup>3</sup> /hr	6.14kW
2471000EUM	Hydrostar Plus 7.5kW / 10HP	147.2m <sup>3</sup> /hr	8.30kW



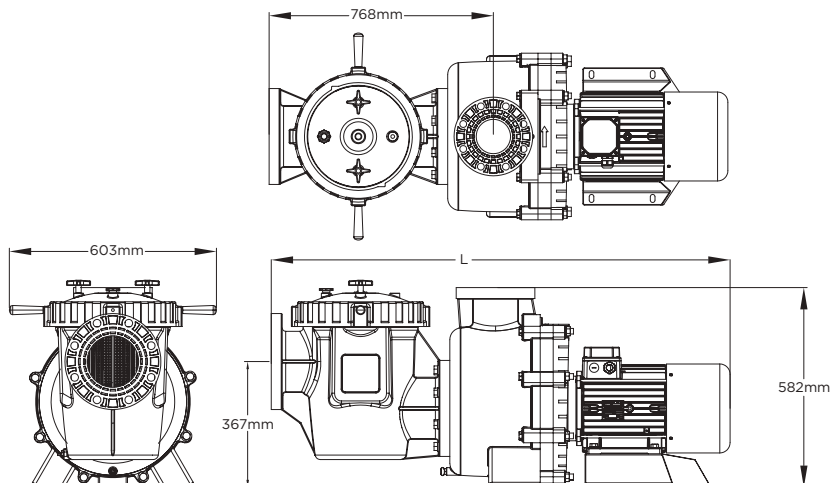
Flow Curve



Noise Curve



Motor (kW)	Total Length (mm)
3.7	1236
5.5	1274
7.5	1340





# Commercial Pumps

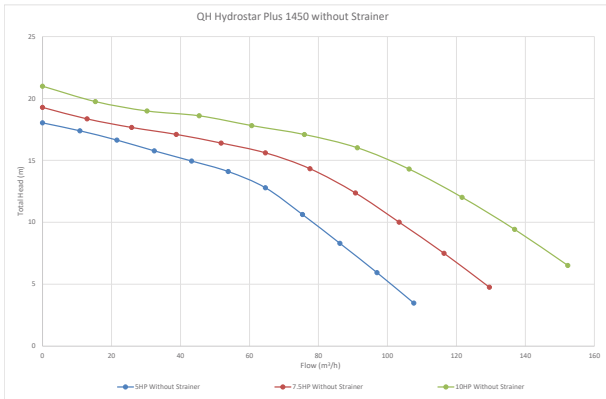


## WATERCO HYDROSTAR PLUS 1450 RPM W/O Strainer- Three Phase 380v - 415v

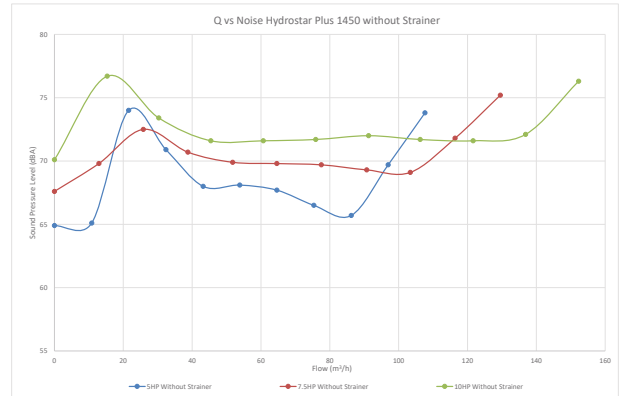
Part No.	Product Description	Q. Max	P. Max
2470501EUM	Hydrostar Plus 3.7 kW / 5.0HP - without strainer	107.6m <sup>3</sup> /hr	4.2kW
2470751EUM	Hydrostar Plus 5.5kW / 7.5HP - without strainer	129.50m <sup>3</sup> /hr	6.4kW
2471001EUM	Hydrostar Plus 7.5kW / 10HP - without strainer	152.30m <sup>3</sup> /hr	8.3kW

For flange kits see page 67

Flow Curve



Noise Curve



### Specifications - Hydrostar Plus 1450 Pump With Strainer, Standard Seal

Model	Input Power kW	HP	Amps	Qmax (m <sup>3</sup> /h)	Hmax (m)	Hmin (m)	Weight (kg)	Total Length (mm)	Motor Input Power (kW)	Motor I <sub>max</sub> (Amp)
3.7kW / 5.0HP	4.155	5.57	8.7	105.2	17.92	3.35	89	1236	4.186	8.7
5.5kW / 7.5HP	5.749	7.70	11.8	125.8	19.09	4.49	96	1274	6.138	11.8
7.5kW / 10HP	7.763	10.40	16.3	147.2	20.65	6.05	12	1340	8.296	16.1

### Specifications - Hydrostar Plus 1450 Pump Without Strainer, Standard Seal

Model	Input Power kW	HP	Amps	Qmax (m <sup>3</sup> /h)	Hmax (m)	Hmin (m)	Weight (kg)	Total Length (mm)	Motor Input Power (kW)	Motor I <sub>max</sub> (Amp)
3.7kW / 5.0HP	4.150	5.56	8.8	107.6	18.03	3.48	73	729	4.186	8.7
5.5kW / 7.5HP	5.645	7.56	11.6	129.5	19.28	4.76	80	767	6.138	11.8
7.5kW / 10HP	7.857	10.53	16.3	152.3	20.99	6.52	96	833	8.296	16.1

Phase	Volts	Cycle	RPM
3	380 - 415	50	1450

# Waterco Pumps Specifications

## Waterco Pump Specifications

Pump Model	Self Priming	Motor Rating	Max Water	Mechanical Seal
Aquamite	Yes	IPX5 Class F	40 °C	Alumina Ceramic/SS316/Carbon (Silicon Carbide optional for sea water)
Supastream	Yes	IPX5 Class F	40 °C	Alumina Ceramic/SS316/Carbon (Silicon Carbide optional for sea water)
Lacronite	Yes	IPX5 Class F	40 °C	Alumina Ceramic/SS316/Carbon (Silicon Carbide optional for sea water)
Supatuf	Yes	IPX5 Class F	40 °C	Alumina Ceramic/SS316/Carbon (Silicon Carbide optional for sea water)
Hydrostorm	Yes	IPX5 Class F	40 °C	Alumina Ceramic/SS316/Carbon (Silicon Carbide optional for sea water)
Hydrostorm Plus	Yes	IPX5 Class F	40 °C	Alumina Ceramic/SS316/Carbon (Silicon Carbide optional for sea water)
Turboflo	No	IPX5 Class F	40 °C	Alumina Ceramic/SS316/Carbon (Silicon Carbide optional for sea water)
Hydrostar Mk 3	Yes	IPX5 Class F	40 °C	Alumina Ceramic/SS316/Carbon (Silicon Carbide optional for sea water)
Hydrostar Mk 4	Yes	IPX5 Class F	40 °C	Alumina Ceramic/SS316/Carbon (Silicon Carbide optional for sea water)
Hydrostar Plus 2940	Yes	IPX5 Class F	40 °C	Alumina Ceramic/SS316/Carbon (Silicon Carbide optional for sea water)
Hydrostar Plus 1450	Yes	IPX5 Class F	40 °C	Alumina Ceramic/SS316/Carbon (Silicon Carbide optional for sea water)

## Waterco Pump Material Specifications

Pump Model	Body	Impellor	Shaft	Strainer Basket	Strainer Lid
Aquamite	Glass filled thermoplastic	GF Noryl	303/431	Polypropylene	Polycarbonate
Supastream	Glass filled thermoplastic	GF Noryl	303/431	Polypropylene	Polycarbonate
Lacronite	Glass filled thermoplastic	GF Noryl	303/431	Polypropylene	Polycarbonate
Supatuf	Glass filled thermoplastic	GF Noryl	303/431	Polypropylene	Polycarbonate
Hydrostorm	Glass filled thermoplastic	GF Noryl	303/431	Polypropylene	Polycarbonate
Hydrostorm Plus	Glass filled thermoplastic	GF Noryl	303/431	Polypropylene	Polycarbonate
Turboflo	Glass filled thermoplastic	GF Noryl	303/431	Polypropylene	Polycarbonate
Hydrostar Mk 3	Glass filled thermoplastic	GF Noryl	431	Polypropylene	Polycarbonate
Hydrostar Mk 4	Glass filled thermoplastic	GF Noryl	431	Polypropylene	Polycarbonate
Hydrostar Plus 2940	Glass filled thermoplastic	GF Noryl	431	Polypropylene	Polycarbonate
Hydrostar Plus 1450	Glass filled thermoplastic	GF Noryl	431	Polypropylene	Polycarbonate



# Maintenance Equipment



# Multicyclone Ultra Vac Portable Filtration Cart



The Multicyclone Ultra Vac portable filtration cart is a versatile filtration solution for every service need. It gives you the ability to vacuum your swimming pool, water feature, pond or fountain with a portable pump and filter - without losing valuable water.

- Award winning Multicyclone technology
- Integrated pleated filter cartridge
- Extended filter cleaning cycles and increased filter cartridge life span
- Supastream self-priming pump
- Powder-coated structural steel trolley with large wheels for easy manoeuvrability
- Built in safety protection



# Maintenance Equipment

## Dual stage filtration

### Sturdy cart construction

Constructed from strong structural steel tubing and powder coated for protection, capable of lasting many years.

### User-friendly design

Large wheels make it easy to navigate steps and uneven terrain such as gravel and a built-in shelf enables easy access to test kits for service technicians.

The vacuum hose is easily fitted to the quick connect hose adaptors.

### Protective foot pads

Protective foot pads, ensure you don't damage pool surrounds and paving.

### Self-priming pump

Supastream self-priming energy efficient pump equipped with Waterco's innovative secondary seal for extra motor protection.

### Safety protection

The Ultra Vac comes standard with a 10m power cord while an RCD (residual current device) and isolator provides peace of mind safety protection.

### Pleated filter cartridge

Its pleated filter cartridge is constructed from heavy duty polyester filter fabric with deep pleats for long service life.



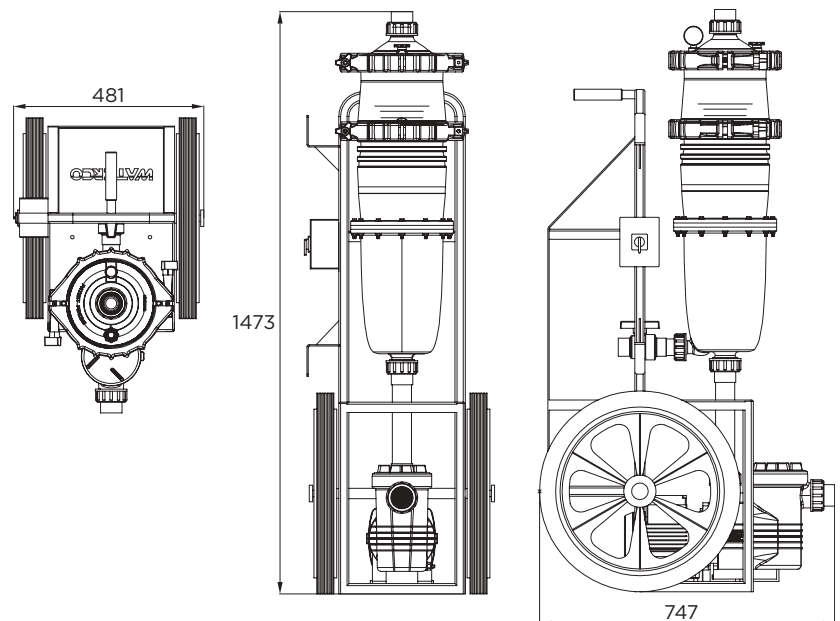
This Portable Filtration Cart features the award-winning MultiCyclone, which removes up to 80 per cent of the incoming dirt load before it reaches the cartridge filter. It means you can vacuum for up to 5 times longer when compared to similar portable vac systems.

## Simple maintenance

The MultiCyclone is easily cleaned by opening its purge valve. Only 15 litres of water is discharged to cleanse the MultiCyclone.



## Dimensions (mm)



*Note: Standard Ultravac comes with a 0.5Hp Supastream pump and Multicyclone Plus MC12 (40ft<sup>2</sup> cartridge). Other combinations available upon request. Vacuum hose is not supplied.*



# Maintenance Equipment



## ULTRAVAC PORTABLE FILTRATION CART - MULTICYCLONE

Part No.	Product Description	Inlet / Outlet
200400UK	Ultra Vac Portable Filter Cart - Multicyclone (UK 3 pin plug)	1/2"/50mm
200400EU	Ultra Vac Portable Filter Cart - Multicyclone (EU 2 pin plug)	1/2"/50mm
For replacement 40sqft cartridge please see p.8 spares catalogue		

### The Ultravac Filtration Cart includes the following:

- 1 x MultiCyclone Plus MC12 filtration system, complete with 40sqft. cartridge element
- 1 x Supastream 0.50HP self priming pump
- 2 x 1 1/2" Hose tail adaptors
- 1 x Trolley unit
- 1 x 10m Power cord, Isolator and RCD with plug
- 1 x Pump to filter plumbing kit
- 1 x Rotary Isolator switch

### Filtration Mode

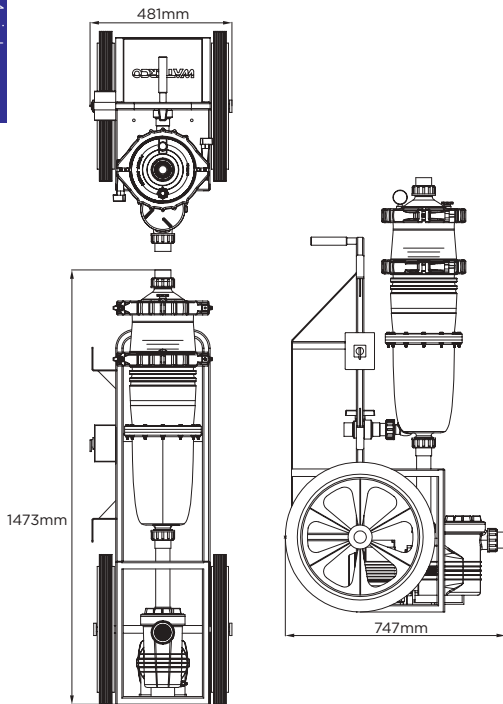
By recirculating the water through the MultiCyclone Plus you can remove debris being vacuumed out of the pool or water feature without losing water. The cart is constructed from strong structural steel and powder coated for protection. The UltraVac is designed to last many years even in the most demanding of environments.

### Maintenance

The cartridge element in the filter housing is made from high strength polyester backed up with a sturdy plastic core for ultimate strength and durability. The MultiCyclone sediment bowl is simply cleaned by the opening of the purge valve.

Other combinations and personalised branding can be manufactured to order upon request - P.O.A.

Maintenance Equipment



# Maintenance Equipment



## ULTRAVAC PORTABLE FILTRATION CART - LEAF TRAPPER

Part No.	Product Description	Inlet / Outlet
3264000UK	Ultra Vac Portable Filter Cart - Leaf Trapper (UK 3 pin plug)	1/2"/50mm
3264000EU	Ultra Vac Portable Filter Cart - Leaf Trapper (EU 2 pin plug)	1/2"/50mm

The Ultravac Filtration Cart includes the following:

- 1 x Trimline Leaf Trapper
- 1 x Supastream 0.50HP self priming pump
- 2 x 1 1/2" Hose tail adaptors
- 1 x Trolley unit
- 1 x 10m Power cord, Isolator and RCD with plug
- 1 x Pump to filter plumbing kit
- 1 x Rotary Isolator switch

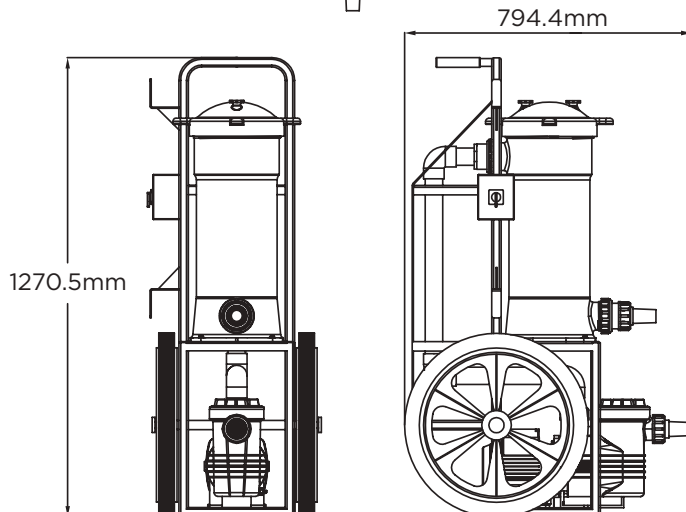
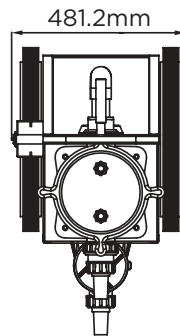
### Filtration Mode

By recirculating the water through the Leaf Trapper you can remove debris being vacuumed out of the pool or water feature without losing water. The cart is constructed from strong structural steel and powder coated for protection. The UltraVac is designed to last many years even in the most demanding of environments.

### Maintenance

The 800 micron filtration bag in the filter housing is made from high strength, durable nylon for ultimate strength and durability. The bag is simply cleaned by opening the easy access lid and removing the filter bag for either washing or replacement.

Other combinations and personalised branding can be manufactured to order upon request - P.O.A.



# PRO POOL CARE

## POOL CARE TOOLS

Part No.	Product Description	Box Qty
3130540	Brush Vacuum Head PRO Series	12
313130	Flexible Vacuum Head PRO Series	12
3132321	Leaf Rake PRO Series	12
313290	Pool Broom PRO Series	12
313080	Algae Brush PRO Series	12
3131521	Leaf Skimmer PRO Series	12
31387	Telescopic Handle 8' - 16' PRO Series	12

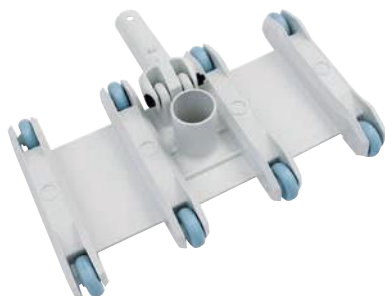
All items supplied in 100% recycled & recyclable packaging



### Brush Vacuum Head PRO Series

Cleaning leaves and debris off the pool floor is easy with this streamlined design that manoeuvres freely, dislodging particles from tight areas and hard-to-reach places.

- Suitable for all pools



### Flexible Vacuum Head PRO Series

Weighted for optimum hydraulic balance and manufactured from flexible ethylene-vinyl acetate (EVA) materials, this hard-wearing vacuum head makes it easier to clean curved corners, ridges, crevices and steps.

- Suitable for all pools



### Leaf Rake Head PRO Series

Ideal for picking up dirt and debris from the surface and the floor of the pool. The rake's leading-edge lifts debris up and then the flicks it into the net.

- Suitable for all pools
- Can also be used to clean surface debris from water features and ponds



# Maintenance Equipment



## Pool Broom Head PRO Series

Designed for dislodging algae and dirt from pool walls, the broom's curved ends and long-life nylon bristles make it easier to clean pool curves and corners.

- Suitable for all pools



## Algae Brush Head PRO Series

Sturdy nylon bristles break open the hard membranes of stubborn "Black Spot" algae, which needs to be broken for algaecides to work.

- Suitable for all hard pool surfaces
- Not recommended for vinyl, fiberglass or painted pool surfaces
- Available in two sizes 143mm and 450mm bristle head.



## Pro Series Leaf Skimmer

Ideal for removing leaves and other floating debris from the water surface of the pool.

- Suitable for all pools





# Maintenance Equipment



Introducing the first broom specially designed for fibreglass, tiled and vinyl lined pools.

Aqua Fingers® features a high-density microfiber attachment that makes cleaning smooth surface pools easier and quicker.

Simply click and clean for a sparkling pool.

Ideal for pool covers



Maintenance Equipment

### MULTI-PURPOSE MICROFIBRE BROOM

Part No.	Product Description	Box Qty
313300	Aqua Fingers® complete	12
31331	Aqua Fingers® microfibre cover spare	12

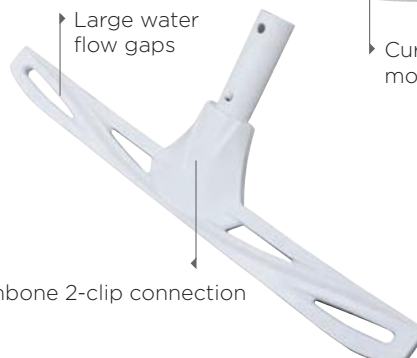
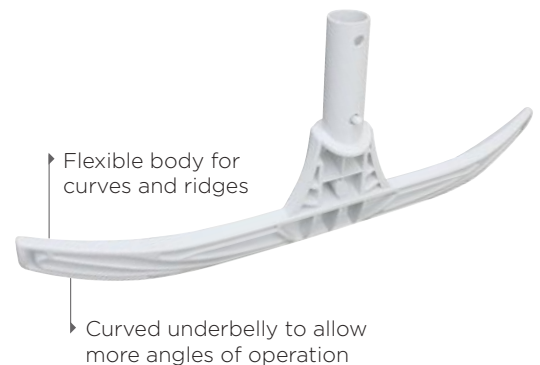


Patented Aqua Fingers® makes cleaning fibreglass, tiled and vinyl lined swimming pools easier and quicker as more surface area is covered by its high-density microfiber chenille attachment, flexible body and curved underbelly. This ensures no nooks or crannies are missed.

All it takes is a quick sweep to clean curved corners, ridges, crevices and steps on smooth pool surfaces

thanks to a flexible design that manoeuvres around tight spots and awkward areas.

- Premium microfiber chenille attachment is gentle on smooth surfaces
- Flexible head easily dislodges particles from tight areas
- Ideal for cleaning fibreglass, tiled and vinyl lined pools and ponds
- Suitable for cleaning pool covers and glass fences
- Replacement chenille attachment available



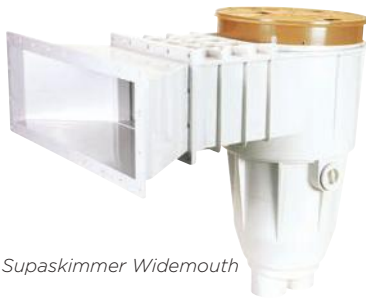
\*please note: 2 year warranty applies to broom head only.



# Pool Water Recirculation



# Pool Water Recirculation



Supaskimmer Widemouth

## SUPASKIMMERS

Part No.	Product Description
29201	Supaskimmer (Concrete)
29205	Supaskimmer (Fibreglass with screw lugs)
29210	Supaskimmer Widemouth (Concrete)
292011	Commercial Supaskimmer (Glass Reinforced Lid)
624105	Dress Ring Sandstone Colour
6241119S	Commercial Deck Lid Assembly T/lock Sandstone GFABS
6241019S	Commercial Dress Ring T/lock Sandstone GFABS

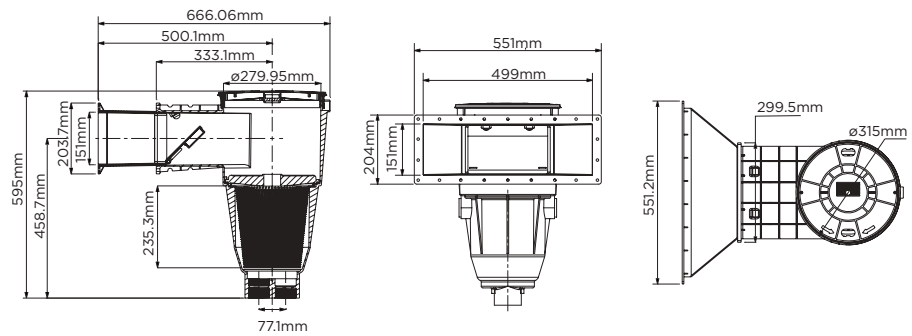
## Specifications

Model	Max. Surface Area	Suction Pipe (inch)	Opening (mm)	Basket Capacity (litres)	Total Height (mm)	Total Depth (mm)	Unit Weight (kg)
Supaskimmer	75 m <sup>2</sup>	2 x 2"	247x152	5.9	580	500	7
Supaskimmer Widemouth	75 m <sup>2</sup>	2 x 2"	551x152	5.9	580	500	10

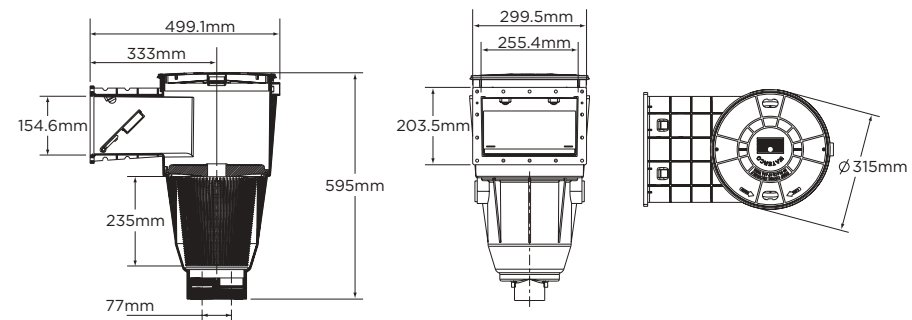


Supaskimmer

## Supaskimmer Widemouth



## Supaskimmer



## Supaskimmer

The Supaskimmer is a large capacity skimmer box which is ideal for use in large domestic, semi commercial and commercial swimming pools. Because of its large capacity 5.9 litre debris collection basket it is also ideal for any swimming pool that is constructed in leafy environments.

- Lock down leaf basket and vacuum plate - holds the leaf basket and vacuum plate firm.
- Large capacity basket - 5.9 litres, over double the size of conventional skimmers.
- 2 x 2" bottom suction ports - less water flow restrictions.
- 2 x 1 1/2" side ports - ideal for wall mount cleaners.
- New child resistant safety lid - prevents child accidents.
- Deeper body style - less chance of running pumping equipment dry.
- Built in overflow drain port to assist the prevention of flooding, during heavy rain.

## WATERCO HYDROSTATIC VALVE

Part No.	Product Description
29302	Main Drain Hydrostatic Valve



# Lights



Lights

# Underwater Lights



BriteStream LED Niche Light is a flush-mounted light which protrudes only 11mm from the pool/spa wall.

Its energy efficient, super bright LEDs are capable of delivering 352 lumens of light\* and operate on only 15 watts of energy.

- Energy saving - operates on 15% of the energy of a halogen pool light
- Long life - LED life span of over 70,000 hours
- Optional Stainless Steel Rim

\* BriteStream White LEDs deliver 352 lumens of light.

## WATERCO BRITESTREAM LED POOL NICHE LIGHT - (for concrete installations)

Part No.	Product Description	Cable Size
264433	BriteStream LED Niche Light - white MK5, 26W	20m
6501130	Stainless Steel Dress Ring (for niche mounted light only)	-
264421	Wet niche assembly - black	-

- Projects ONLY 11mm into the pool or spa
- Super bright LEDs capable of delivering 352 lumens (white LED)
- Polycarbonate construction
- Life span of over 70,000 hours
- 180° illumination
- Uniform diffusion of light
- Operates on only 15% of the electrical power of a halogen light



### Easy Coiling

Extra space for easy coiling and storage of the light's power cord

### Energy Saving

BriteStream LEDs operate on only 15 watts of energy, which is approximately 15% of the electrical power usage of a halogen light.

### Triple seal connection

Three o-rings are in place to provide a triple seal eliminating the possibility of any leakages travelling up the power cord.

### Extra Slim Protrusion

Protrudes only 11mm into the pool or spa.

### Precision Built

BriteStream comprises of a precision built printed circuit board totally enclosed in a waterproof housing.

### Super Bright

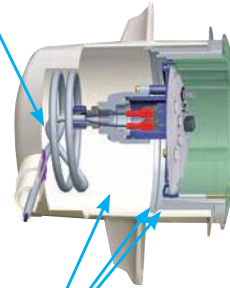
Super bright energy saving LEDs capable of delivering 352 lumens of light. [White LED light]

### Long Life

BriteStream LED has a life span of over 70,000 hours, which is equivalent to over 30 years of illumination. (Based on 6 hours usage per day).

### Built-in Heat Management

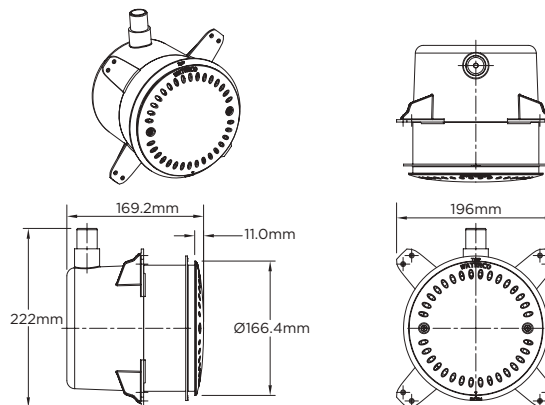
The LED heat output is automatically managed by its electronic circuitry.



## Specifications

Zonal Distribution	Power Usage	Input Voltage	LED Life
0 to 180 degrees	26 W	12V AC	70,000 hours

## Dimensions (mm)



Optional Stainless Steel Rim

## Warranty

BriteStream LED lights are covered by a comprehensive 2-year warranty.

# Underwater Lights

## WATERCO BRITESTREAM LED NICHE CONVERSION KITS - (for concrete installations)

Part No.	Product Description	Nom. Size
6501102	Niche Mounting Ring Certikin Replacement	165mm
6501103	Niche Mounting Ring Hayward Replacement	165mm
650107	Niche Adaptor Ring Pentair Replacement	165mm



Certikin



Hayward



Pentair

Waterco conversion kits allow the Britestream LED Niche Mounted light to be installed in either a Certikin, Hayward or Pentair niche that is already installed in the pool wall.

Waterco Niche mounted LED replacement kits to be used in conjunction with Certikin, Hayward or Pentair Conversion Kits



### BriteLux Diffuser Lens

Unlike traditional LED lights that restrict the light output to individual hot spots, BriteLUX Diffuser Lens radiates light throughout the entire circumference of the lens.

In fact, the BriteLUX Diffuser Lens significantly boosts colour saturation and increases light transmission by 50 percent.



## WATERCO POOL LIGHT TRANSFORMER

Part No.	Product Description	Nominal Size
165-933-1-WC	Waterco pool light transformer	220-240V 50/60Hz

\* A maximum of three lights may be connected to the pool light transformer



# Underwater Lights



Britestream LED Light utilises energy efficient super bright LEDs that are capable of delivering 352 lumens of light\* and operate on only 15 watts of energy.

- Energy saving - operates on 15% of the electrical power of a halogen light
- Long life span of over 70,000 hours
- Universal light adaptor and easy-to-use retrofit connector

Cool White 6184K

## WATERCO BRITESTREAM LED POOL LIGHTS - SURFACE MOUNTED FOR CONCRETE & FIBREGLASS

Part No.	Product Description	Cable Size
264344	Britestream LED Light white MK5, 26W	20m
26601	Fibreglass Conversion Kit	
266022	Wooden Pool conversion kit including dress ring	



### Super Bright

Super bright energy saving LEDs capable of delivering 352 lumens of light. (White LED light)

### Long Life

BriteStream LED has a life span of over 70,000 hours, which is equivalent to over 30 years of illumination. (Based on 6 hours usage per day).

### Built-in Heat Management

The LED heat output is automatically managed by its electronic circuitry.

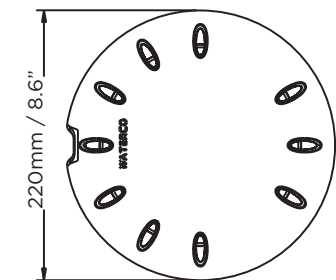
### Superior Construction

BriteStream LEDs are totally enclosed in a waterproof Polycarbonate housing.

### Pool Cleaner Shield

Improves the aesthetics of the installation and prevents the pool cleaner skirt from being trapped behind the light.

## Dimensions

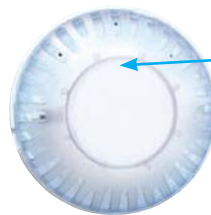


66mm / 2.6"



## Specifications

Zonal Distribution	Power Usage	Input Voltage	LED Life
0 to 180 degrees	26 W	12V AC	70,000 hours



### Innovative Lens

Its innovative polycarbonate lens cools the LEDs and provides a uniform diffusion of light.

### Slotted Rims

Assists heat dissipation, as well as permitting water circulation.

### Energy Saving

BriteStream LEDs operate on only 15 watts of energy, which is approximately 15% of the electrical power usage of a halogen light.

# Underwater Lights

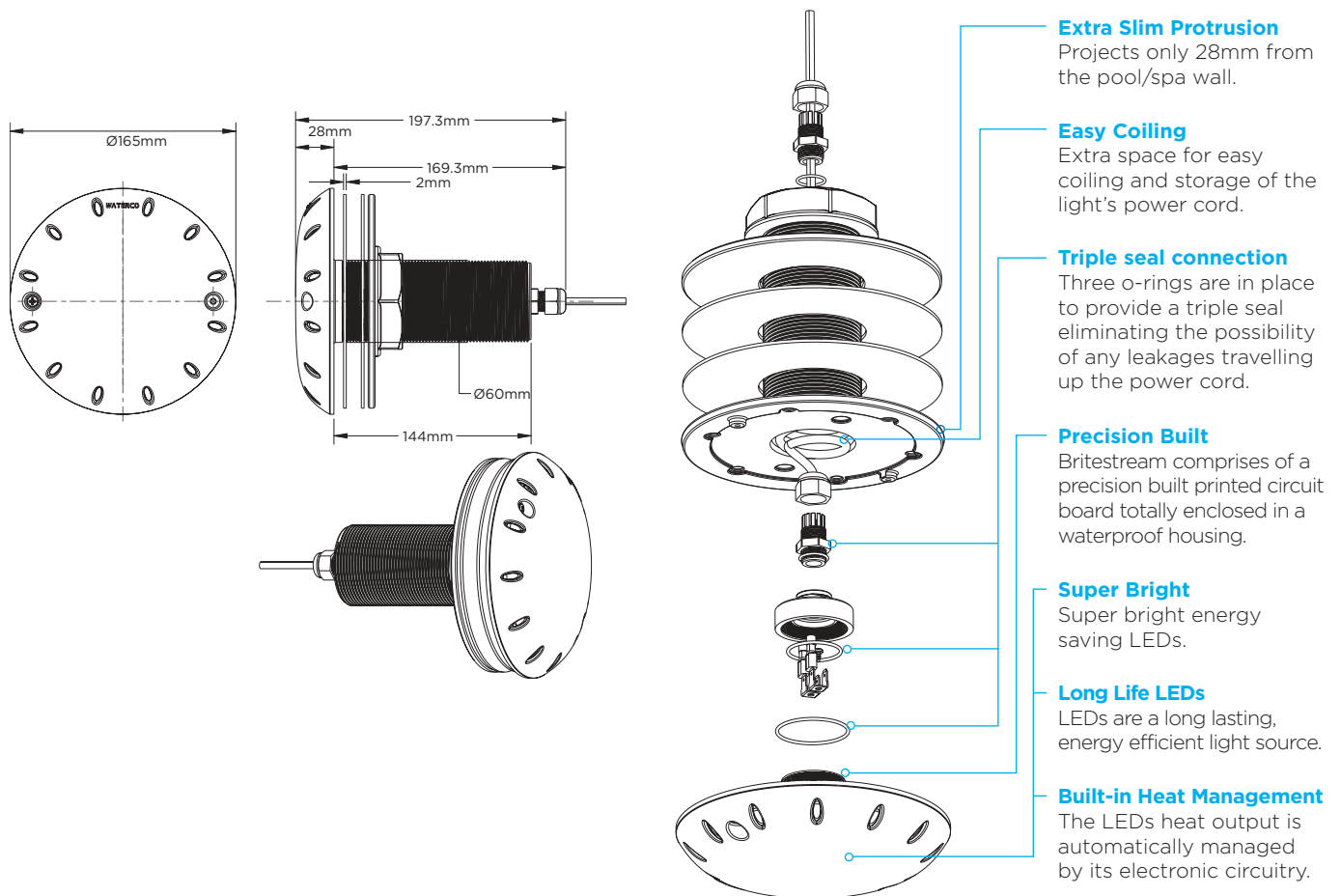
## WATERCO BRITESTREAM SLIM165 FIBREGLASS LED POOL LIGHTS

Part No.	Product Description	Cable Size
264624	Britestream 165F white MK5, 30W	20m



The Britestream Slim165 Fibreglass Niche LED light has been specifically designed for easy installation into fibreglass pools & spas. Britestream Slim165 Fibreglass Niche LED lights are great for those hard to light areas of pool/spa or steps. Britestream Slim165 Fibreglass LED Light utilises energy efficient super bright LEDs and operates on only 15 watts of energy.

- Flush mounted with a minimal 28mm projection into pool
- Super bright LEDs capable of delivering 352 lumens (White LED)
- Life span of over 70,000 hours
- 180° Zonal illumination
- Operates on only 15% of the electrical power of a halogen light model



# Underwater Lights



## WATERCO BRITESTREAM SLIM90 FIBREGLASS POOL LIGHTS

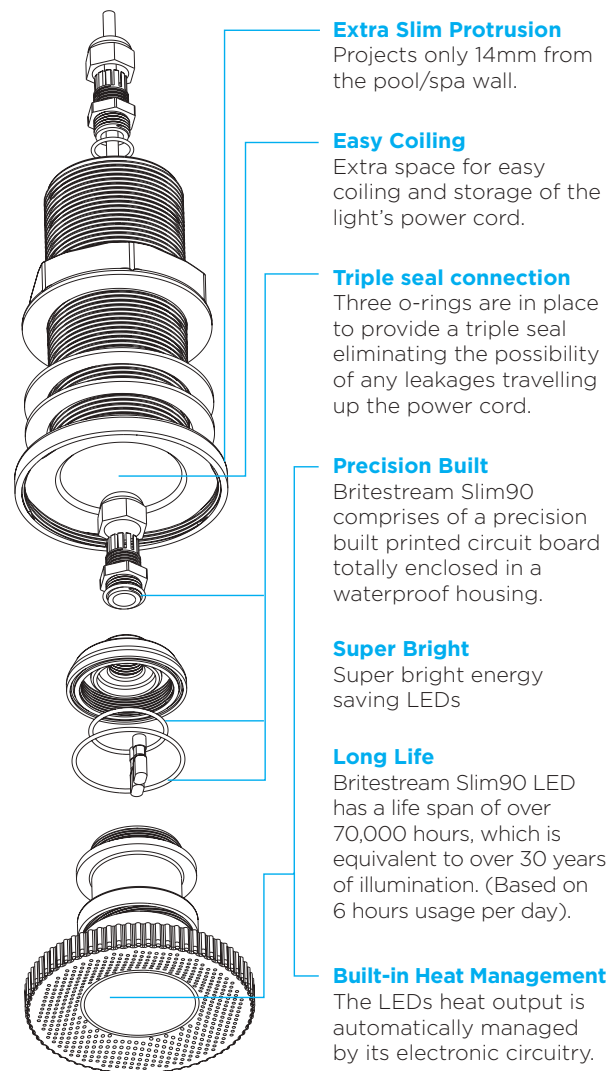
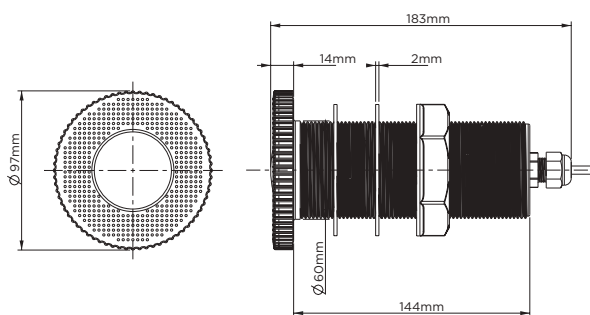
Part No.	Product Description	Cable Size
264701	Britestream Slim90 Fibreglass White LED light 15W	20m

### BRITESTREAM SLIM90 FIBREGLASS LED POOL LIGHTS

The Britestream Slim90 Fibreglass Niche LED light has been specifically designed for easy installation into fibreglass pools & spas.

Britestream Slim90 Fibreglass Niche LED lights are great for those hard to light areas of a pool/spa or steps. Britestream Slim90 Fibreglass LED Light utilises energy efficient super bright LEDs and operates on only 15 watts of energy.

- Flush mounted with a minimal 14mm projection into pool.
- Super bright LEDs capable of delivering 128 lumens (White LED).
- Life span of over 70,000 hours.
- 180° Zonal illumination.
- Operates on only 15% of the electrical power of a halogen light models.



# Sanitisation



Sanitisation

# Sanitisation

## HYDROCHLOR MK3 Mineral chlorinator

**Hydrochlor MK3 Mineral Chlorinator**  
Waterco's energy efficient Hydrochlor Mineral Chlorinator chlorinates your pool, making it healthy, crystal clear, and ready to swim in year-round. In fact, a salt water chlorinated pool requires considerably less attention than a standard chlorinated pool.

**Chlorination**  
The main function of the Hydrochlor Mineral Chlorinator is to produce chlorine to sanitise the pool water. Pool water, which contains dissolved pool salt, passes over Hydrochlor's chlorinator cell. This in turn splits the salt into its basic components, one being chlorine.

- Precision Chlorine Production
- Easy-to-use timer with back up battery
- Self Cleaning, Chlorinator Cell
- Energy saving, intelligent power pack
- Power pack suits all chlorinator cells



**Suitable for use with pool covers**

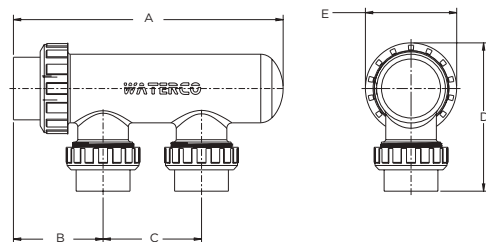
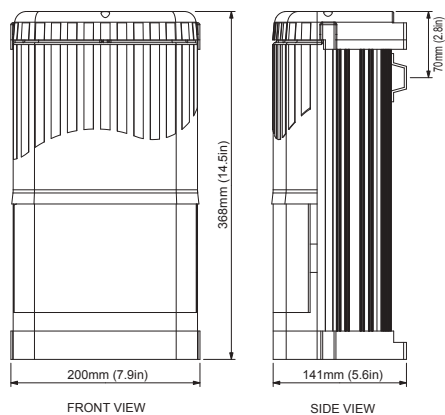
Model	Input Watt (W) max	Output current DC (A) max	Chlorine Production (g/hr)	Max Pool Capacity (L) Climate	
				Temperate	Tropical
Hydrochlor MK3 2000	105	5.4	20	60,000	48,000
Hydrochlor MK3 3000	130	6	30	100,000	72,000

- All units are equipped with a 3 amp self-resetting fuse.
- Pool capacity is based on a stabilised swimming pool with a minimum salt level of 5,000 ppm

	2000	3000
Primary Input (Volts) / Frequency (Hz)	220-240 / 50-60	220-240 / 50-60
Input Power (W)	105	130
Maximum Total Current (A)	10	10
Pump Outlet Maximum (A)	8	8
Cell Voltage (V)	21	21
Degree of Protection	IP23	IP23

SALT LEVELS		
Minimum = 4000ppm	Optimum = 5500ppm	Maximum = 6000ppm

### HydroChlor Power Pack Dimensions



Model	A (mm)	B (mm)	C (mm)	D (mm)	E (mm)
2000 / 3000	367	134.5	130	192.5	120



# Sanitisation

**HYDROCHLOR MK3**  
Mineral chlorinator

## HYDROCHLOR MK3 POWER PACK

Part No.	Product Description
6450131	Hydrochlor MK3 Mineral Chlorinator power pack- add cell

### Hydrochlor Power Pack

The Hydrochlor Mineral Chlorinator includes an energy saving, intelligent power pack that makes it easy to keep your pool sanitised and healthy to swim in.



### Energy, Saving, Intelligent, Power Pack



#### Energy Saving

Hydrochlor uses the latest Switch Mode Power Technology to increase energy efficiency by over 50%, significantly reducing power consumption. Hydrochlor draws less current and this translates to high power conversion and less energy wastage, without compromising chlorine output.



#### Intelligent

Hydrochlor's Power Pack intelligently recognises the size of the connected chlorinator cell and automatically adjusts its power output to suit.



#### Salt Level Protection

An alarm indicates when the salt levels in the pool water are too high or too low. If the pool is running beyond the maximum recommended salt level, the chlorinator will limit its output to protect the chlorinator cell.



#### Easy-to-use Timer With Battery Backup

Hydrochlor includes an in-built easy to use timer equipped with battery backup, which will maintain settings for up to 150 hours.

## HYDROCHLOR MK3 MINERAL CHLORINATOR CELL - ADD TO POWER PACK

Part No.	Product Description	Nom. Size
6449522	Hydrochlor MK3 Mineral Chlorinator Cell MK3 2000 13 plate	20 g/h
6449532	Hydrochlor MK3 Mineral Chlorinator Cell MK3 3000 13 plate	30 g/h

Hydrochlor's new self-cleaning chlorinator cell features a serial parallel design that enhances chlorine production, whilst requiring less energy.



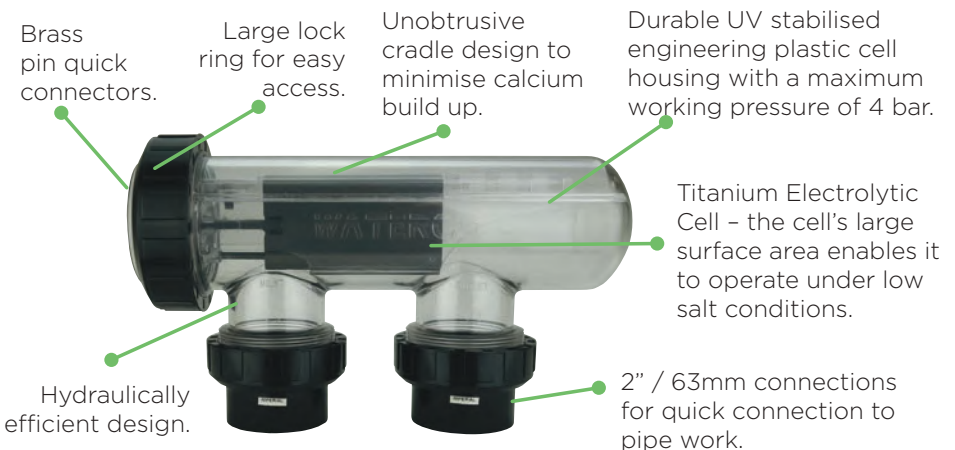
#### Automated Self-Cleaning

Hydrochlor's self-cleaning chlorinator cell has the added ability to reverse its polarity and automatically clean calcium build-up off its electrodes.



#### No Flow Detection

If no water flow is detected in the chlorinator cell, Hydrochlor automatically switches off the chlorine production to protect the chlorinator cell, and activates the No Flow LED indicator.





# MULTI-PURPOSE MICROFIBRE BROOM

Introducing the first broom specially designed for fibreglass, tiled and vinyl lined pools.

Aqua Fingers® features a high-density microfibre attachment that makes cleaning smooth surface pools easier and quicker.

Simply click and clean for a sparkling pool.

**For information and pricing see page 78**



**WATERCO**  
water, the liquid of life  
[www.waterco.eu](http://www.waterco.eu)

# Heating



Heating

# Electr Heat ECO-V



The ElectroHeat Ultra Eco-V Inverter heat pump has the flexibility to vary the speed of the fan motor and compressor to maintain a constant temperature allowing it to use less energy than conventional heat pumps.

The heat pump adjusts the output from 50% to 100% depending on heat demand and environmental factors, thereby reducing energy consumption.



**WATERCO**  
EUROPE LTD  
water, the liquid of life  
[www.waterco.eu](http://www.waterco.eu)

# Heating



Image shown for the 17kw, 21kw and 25kw models

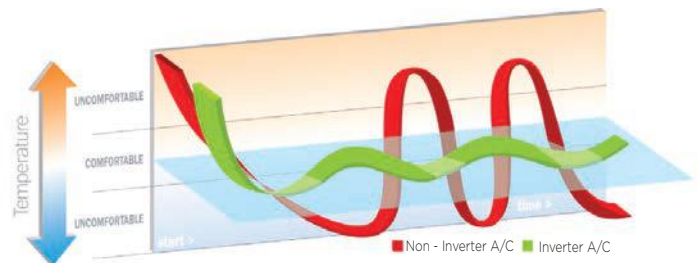
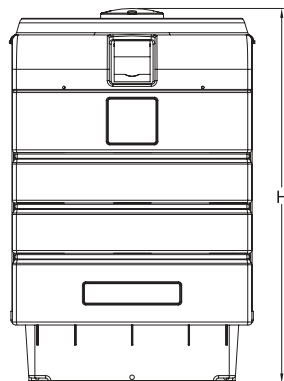
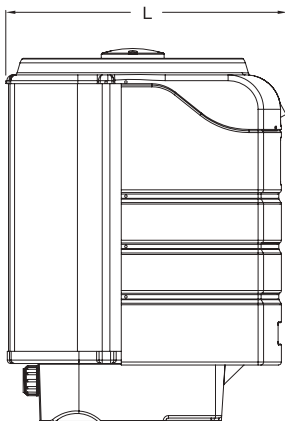
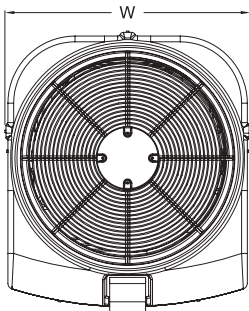
### ELECTROHEAT ULTRA ECO V INVERTER HEAT PUMP

Part No.	Product Description	Nom. Size
2781210EU	ElectroHeat Ultra Eco V Heat Pump 12kW	12kW
2781710E17	ElectroHeat Ultra Eco V Heat Pump 17kW	17kW
2782110E21	ElectroHeat Ultra Eco V Heat Pump 21kW	21kW
2782513	ElectroHeat Ultra Eco V Heat Pump 25kW	25kW

### Specifications

Model		12KW	17KW	21KW	25KW
Air 15°/Water 26°	Heating Capacity	kW 12 - 3.0	17.2 - 4.6	21.0 - 5.1	24.1 - 6.1
	Heating Input	kW 2.54 - 0.84	4.05 - 0.62	5.0 - 0.69	5.95 - 0.85
	Normal Current	A 11.0 - 3.6	17.6 - 2.70	21.7 - 3.0	27.2 - 3.95
	COP	7.9 - 4.4	4.25 - 7.45	4.20 - 7.4	4.05 - 7.2
Power Supply	V/Ph/Hz	230V/1Ph/50Hz	230V/1Ph/50Hz	230V/1Ph/50Hz	230V/1Ph/50Hz
Setting Temp. Range	°C	10°C - 40°C	15°C - 40°C	15°C - 40°C	15°C - 40°C
Running Temp. Range	°C	0°C - 40°C	-10°C - 43°C	-10°C - 43°C	-10°C - 43°C
Water Heat Exchanger		Titanium PVC Tank	Titanium PVC Tank	Titanium PVC Tank	Titanium PVC Tank
Compressor		Inverter	Inverter	Inverter	Inverter
Compressor Quantity		1	1	1	1
Fan quantity		1	1	1	1
Water Inlet/Outlet Dimension		1.5"	1.5"	1.5"	1.5"
Hydraulic Connection	mm	PVC 50	PVC 50	PVC 50	PVC 50
Nominal Water Flow	m3/H	6.9	6.5	8	10
Sound Pressure Level at 1m	dB(A)	50 - 59	50 - 59	50 - 59	50 - 59
Sound Pressure Level at 10m	dB(A)	32 - 42	32 - 42	32 - 42	32 - 42
Unit Dimensions (L*W*H)	mm	636*714*973	800*900*1050	800*900*1050	800*900*1050
Net Weight	Kg	43	118	120	126
Refrigerant		R410A	R410A	R410A	R410A
Display		LCD	LCD	LCD	LCD
Mode		Heating/Auto.	Heating/Cooling/Auto.	Heating/Cooling/Auto.	Heating/Cooling/Auto.

**\*N.B. The 17kW, 21kW and 25kW versions are heat & cool models**



#### Non-Inverter System

It turns on and off completely to maintain temperature as the compressor runs at a fixed speed

#### Inverter System

It varied the output to maintain a constant temperature. At lower speed, it is quieter and more cost efficient



# Heating



# Electr Heat XL

## ELECTROHEAT XL

Part No.	Product Description	Nom. Size
278123EU	ElectroHeat XL 12kW Single Phase	12kW
278152EU	ElectroHeat XL 15kW Single Phase	15kW
2781911EU	ElectroHeat XLR 19kW Single Phase (Quick defrost cycle)	19kW
2782311EU	ElectroHeat XLR 23kW Single Phase (Quick defrost cycle)	23kW

## Specifications

Models	278121EU - XL	278151EU - XL	2781911EU - XLR	2782311EU - XLR
Nominal Heating Capacity btu/h *	40,000 BTU	50,000 BTU	65,000 BTU	80,000 BTU
Power Output (kW)	11.74	13.52	18.54	21.82
Supply Voltage (VAC)	208 - 230	208 - 230	208 - 230	208 - 230
Supply Voltage Phase	1 phase	1 phase	1 phase	1 phase
Power consumption (kW)	1.93	2.10	2.99	3.00
Unit Running Amperage	9.1	9.3	15.28	21.20
Water Connections	1 1/2" /50mm	1 1/2" /50mm	1 1/2" /50mm	1 1/2" /50mm
Min / Max Breaker or Fuse (AMP)	20	20	30	40
Quick Defrost Cycle	-	-	Active	Active
Dimension	1170 x 685 x 320mm	1170 x 685 x 320mm	1170 x 685 x 320mm	1170 x 685 x 320mm
Weight (kg)	54	54	78	78

\* The heating capacity depends on water and ambient temperature, as well as humidity level.

\* Information for reference only, results may vary depending on the region, temperature and the use of a solar blanket

\* Waterco Heat Pump performance metrics were obtained during laboratory testing conducted in Canada to the requirements of ASHRAE Standard 146-2011, and ANSI/AHRI Standard 1160: (I-P)-2009 in conditions of 26° Air/63% RH/ 26° Water.

• R32 Refrigerant



**SMART CONTROLS**  
for temperature management and self diagnosis



**INBUILT SAFETY DEVICES** for water flow, refrigerant level and compressor start-up delay



**POWERFUL HEAT TRANSFER** through the coiled heat exchanger maximising water contact



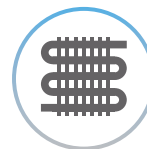
**DUAL COIL TITANIUM** Heat Exchanger is highly resistant to ozone, iodine, baquacil, salt and chlorinated water



**WEATHERPROOF CABINET**  
for outdoor installation



**SCROLL COMPRESSOR**  
for improved efficiency and high performance



**LARGE EVAPORATOR AREA** to extract more ambient heat



**Warranty\*** - Excellent residential and commercial warranty

# Heating



# Electr Heat XL ECO-V

## ELECTROHEAT XL ECO V INVERTER HEAT PUMP

Part No.	Product Description	Nom. Size
2780510E05	ElectroHeat XL ECO-V 5kW Single Phase	5kW
2780910E09	ElectroHeat XL ECO-V 9kW Single Phase	9kW
2781211E12	ElectroHeat XL ECO-V 12kW Single Phase	12kW
2781711E17	ElectroHeat XL ECO-V 17kW Single Phase	17kW

The ElectroHeat XL Eco V Inverter heat pump has the flexibility to vary the speed of the fan motor and compressor to maintain a constant temperature allowing it to use less energy than conventional heat pumps.

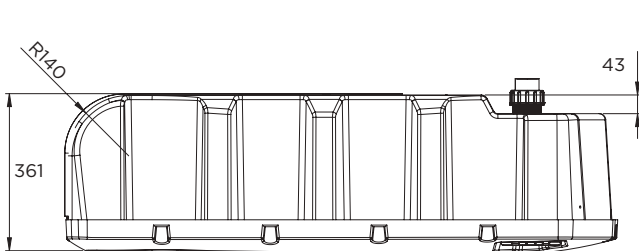
The heat pump adjusts the output from 50% to 100% depending on heat demand and environmental factors, thereby reducing energy consumption.

The fan is side mounted and the unit slim-line, for ease of installation. All units in this range are heat and cool models.

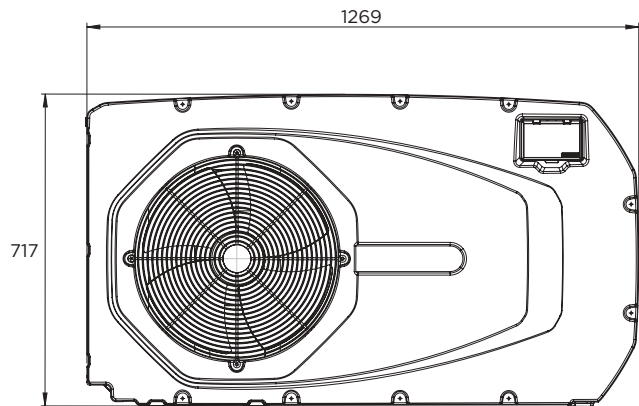
### Specifications

Model	5KW	9KW	12KW	17KW
Heating Capacity (A15/W26)	5.1 - 1.4KW	9.2 - 2.5KW	12.2 - 3.5KW	17.0 - 4.5KW
Heating Input (A15/W26)	1.00 - 0.18KW	1.86 - 0.32KW	2.28 - 0.46KW	3.62 - 0.61KW
Normal Current	4.38 - 0.8A	8.08 - 1.4A	9.85 - 2.0A	15.7 - 2.65A
COP	5.05 - 8.0	4.95 - 7.8	4.85 - 7.6	4.70 - 7.4
Working Temperature Range	-10 - 43°C			
Setting Temp. Range	15°C - 40°C			
Power Supply	AC-230V/1Ph/50Hz			
Max. Current	8A	10A	17A	20A
Gas	R32 (0.5kg)	R32 (0.6kg)	R32 (0.7kg)	R32 (1.0kg)
Compressor	Panasonic (Inverter )	Mitsubishi (Inverter )	Panasonic (Inverter )	Panasonic (Inverter )
Water Heat Exchanger	Titanium-in-PVC	Titanium-in-PVC	Titanium-in-PVC	Titanium-in-PVC
Water Flow Rate	4000L/H	5000L/H	6000L/H	6500L/H
Water Inlet/Outlet Connection	1.5Inch	1.5Inch	1.5Inch	1.5Inch
Noise (At 1 Meter)	50 - 59 dB (A)	50 - 59 dB (A)	50 - 59 dB (A)	50 - 59 dB (A)
Controller	Intelligent LED	Intelligent LED	Intelligent LED	Intelligent LED
Net Weight	50kg	53kg	59kg	67kg
Gross Weight	65kg	68kg	74kg	82kg
Net Size (L/W/H)	1269/370/697 mm			
Package Size (L/W/H)	1370/448/760mm			

**\*N.B. All units in this range are heat and cool models**



TOP VIEW



FRONT VIEW

# Heating



# Electr Heat Plus

## TITANIUM MKIII

WATERCO HEAT PUMPS - All ElectroHeat Plus MKIII heat pumps come complete with a commercial grade Titanium heat exchanger and digital display as standard. All 3-phase heat pumps are supplied with a 3-phase indicator and protector.

### ELECTROHEAT PLUS

Part No.	Product Description	Nom. Size
EPX031T353-G	ElectroHeat Plus MKIII 31kW Three Phase - Digital	31kW
EPX037T353-G	ElectroHeat Plus MKIII 37kW Three Phase - Digital	37kW
EPX044T353-G	ElectroHeat Plus MKIII 44kW Three Phase - Digital	44kW



### Double Coil Titanium Heat Exchanger

With much greater surface area and longer contact time, this Waterco innovation allows higher heat transfer, thus delivering some of the highest efficiencies in its class.

A Titanium Heat Exchanger offers total protection against erosion and corrosion. Titanium metal's corrosion resistance is due to a stable, protective, strongly adherent oxide film. This film forms instantly when a fresh surface is exposed to air or moisture.

Titanium is resistant to: chlorinated water, ozone, iodine, Baquacil, bromine and salt water.

### Specifications

Model	31	37	44	
Nominal Heating Capacity (BTU/h)*	105,000	125,000	150,000	
Power Output (kW)	31	37	44	
Power Supply (Volt)	220 - 240	380 - 415	380 - 415	380 - 415
Supply Voltage Phase	1 Phase	3 Phase	3 Phase	3 Phase
Power Consumption (kW/h)	5.9	5.8	6.0	7.6
Unit Running Amperage (Amp)	28.0	9.9	11.8	13.1
Fan Full Load Amperage (FLA)	1.45		1.45	1.45
Min-Max Breaker or Fuse	40 - 50	25	25	25
Noise level @ 3m in dB	60	61	61	61
Min-Max Air Temperature (C)	11 - 40		11 - 40	11 - 40
Weight (kg)	107	149	152	

\* The heating capacity depends on water and ambient temperature, as well as humidity level.

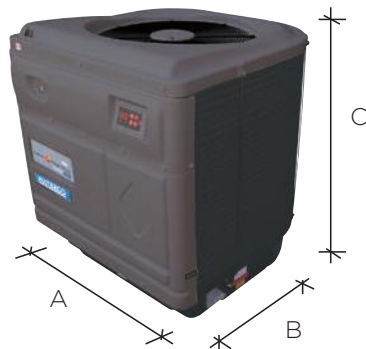
\* Waterco Heat Pump performance metrics were obtained during laboratory testing conducted in Canada to the requirements of ASHRAE Standard 146-2011, and ANSI/AHRI Standard 1160: (I-P)-2009 in conditions of 26° Air/63% RH/ 26° Water.

### Water Flow & Plumbing Characteristics

Water Bypass Type	Ext. Field Install
Min./Max. Water Flow Rate	6.7 - 18 m <sup>3</sup> /h
Min./Max. Water Inlet Temperature	18° - 40°
Plumbing Connection Size	1 1/2" / 50mm - PVC

### Dimensions

Model	A	B	C
ElectroHeat Plus MK III 31kW, 37kW & 44kW	890 mm	880 mm	1120 mm



### Clearance



# Aquaculture



**WATERCO**  
water, the liquid of life

# Aquaculture



## Pond Professional Bead Filter - Combined Mechanical and Biological Filtration

Part No.	Product Description	Nom. Size
2200082048	E500 Exotuf Pond Professional Bead Filter	20" (500mm)
220008248	E600 Exotuf Pond Professional Bead Filter	24" (600mm)
220008280	E702 Exotuf Pond Professional Bead Filter	28" (702mm)

For media see page 99

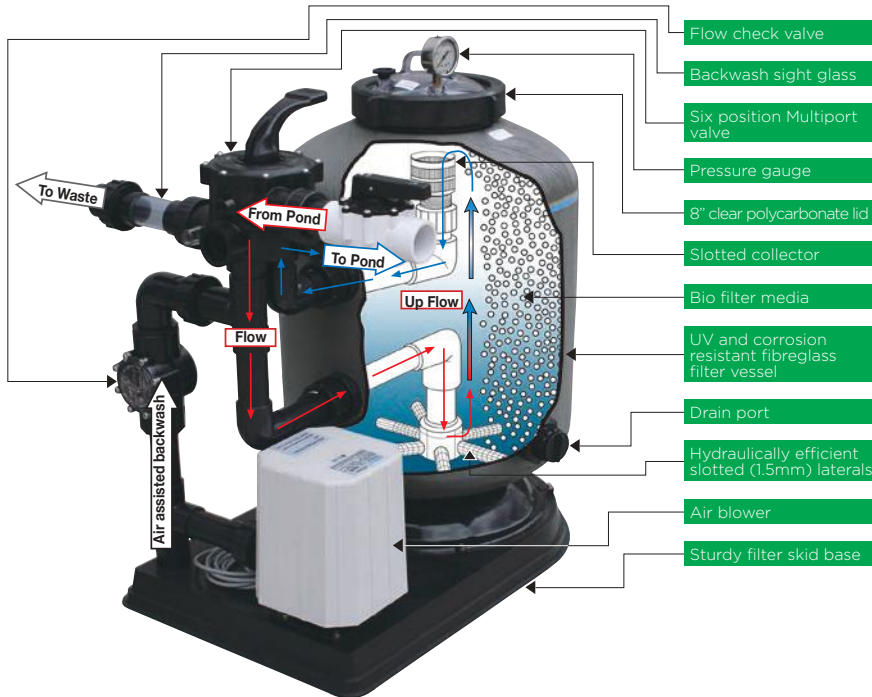
### Specification

Filter Diameter size	Filter Surface area	Media	Minimum-Maximum flow rate	Pond size	Pond size
mm	m <sup>2</sup>	kgs	m <sup>3</sup> /hr	m <sup>3</sup>	gallons
20" / 500mm	0.2	37.5	5-10	20.0	4400
24" / 600mm	0.3	60	7-16	36.0	7920
28" / 702mm	0.38	92.5	14-24	60.0	13200

The Exotuf Pond Professional Bead Filter is specially engineered for the Koi enthusiast with ponds up to 13,200 gallons in size.

A pre-plumbed unit which is compact in design, making the Exotuf Pond Professional an ideal choice for the Koi hobbyist.

## Bio-Mechanical Filtration



1. Water enters the Multiport valve and is diverted to the lower filter.
2. The inflowing water is then evenly dispersed through slotted laterals in the lower section of the filter.
3. As the water flows upwards through the Biofilter media, the contaminated water is subjected to mechanical and biological filtration.

### Mechanical filtration

Mechanical filtration physically removes solids from the pond by trapping solids between the crevices of the filter media.

### Biological filtration

Biological filtration is the most effective method of removing toxins (ammonia) and breaking it down into nitrites, and then into nitrates which provide food to your aquatic plants (referred to as the Nitrogen Cycle). This is accomplished by using naturally occurring bacteria and giving it a place to live in the Biofilter media where it is exposed to large quantities of food and oxygen.

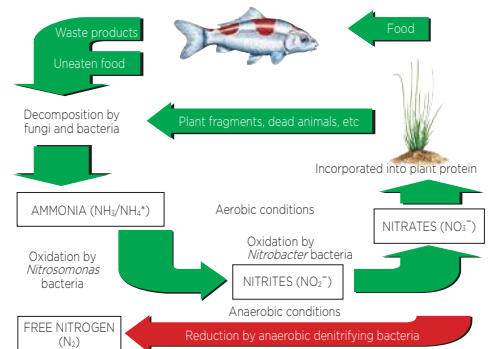


4mm - 5mm Biofilter media

### Nitrogen Cycle

The cycle begins when fish eat and then excrete ammonia. Bacteria in the biological filter eats the ammonia and excretes nitrite. Nitrite is also toxic to fish and needs to be removed.

Another type of bacteria in the filter eats nitrite and excretes nitrate. Nitrate is non-toxic to fish in small quantities and is used by plants as fertilizer. The entire cycle then repeats itself upon completion.





# Aquaculture



## Effective

Excellent Nitrification and Mechanical filtration.

## Efficient

Hydraulically efficient filter design, balanced slotted laterals to maximize water flow and filtration.

## Durable

Corrosion resistant and UV stabilised for outdoor installation.

## Air-Backwash

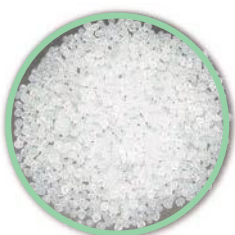
Air assisted hydraulic backwash, saving time and water.

## Superior Quality

Aquabiome fibreglass filters embody the latest in fibreglass winding technology.

## Biological filtration

Biological filtration is the most effective method of removing toxins (ammonia) and breaking it down into nitrites, and then into nitrates which provide food to your aquatic plants (referred to as the Nitrogen Cycle). This is accomplished by using naturally occurring bacteria and giving it a place to live in the Biofilter media where it is exposed to large quantities of food and oxygen.



4mm - 5mm Biofilter media

## AQUABIOME SKIDS

Part No.	Product Description	Nom Size
220008165	Aquabiome SM400	16" (400mm)
220008205	Aquabiome SM500	20" (500mm)
220008245	Aquabiome SM600	24" (600mm)
220008305	Aquabiome SM750	30" (750mm)
220008365	Aquabiome SM900	36" (900mm)

For media see below

## Specifications

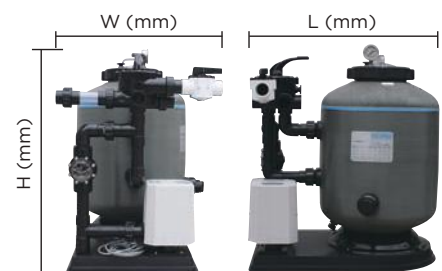
Aquabiome	ASM400	ASM500	ASM600	ASM750	ASM900
Nominal Diameter mm / inch	400 / 16	500 / 20	600 / 24	750 / 30	900 / 36
Filter Surface Area m <sup>2</sup> / ft <sup>2</sup>	0.13 / 1.4	0.2 / 2.1	0.3 / 3.2	0.44 / 4.9	0.64 / 7.15
Media Volume litres	43	68	117	199	303
Media Weight kg	21.5	34	58.5	99.5	151.5
Biofilter Surface Area m <sup>2</sup> / ft <sup>2</sup>	47.3 / 509	74.8 / 805	128.7 / 1385	218.9 / 2356	333.3 / 3588
Inlet / Outlet Connections	50mm / 1.5"	50mm / 1.5"	50mm / 1.5"	63mm / 2"	63mm / 2"
Min - Max Flow Rate					
lpm	52 - 101	80 - 157	120 - 226	180 - 353	255 - 509
m <sup>3</sup> /hr	3.1 - 6.1	4.8 - 9.4	7.2 - 13.5	10.8 - 21.2	15.3 - 30.5
gpm (US gallon per min)	13.7 - 26.7	21.1 - 41.5	31.7 - 59.7	47.6 - 93.3	67.4 - 134.5
Max Pond Size litres	13,000	20,000	36,000	60,000	90,000
Feed Rate kg	0.32	0.5	0.9	1.5	2.4
Total Ornamental Fish weight* kg	10.7	16.7	30	50	80
Total Aquaculture Fish weight* kg	32	50	90	150	240
Tank Diameter mm / inch	421 / 16.5"	520 / 20.5"	622 / 24.5"	772 / 30.4"	923 / 36.3"
Overall Height mm / inch	856 / 33.7"	815 / 32.1"	880 / 34.6"	993 / 39.1"	1115 / 43.9"
Valve Size mm / inch	50 / 1½"	40 / 1½"	40 / 1½"	50 / 2"	63 / 2"
Bed Depth mm / inch	290 / 11.4"	290 / 11.4"	360 / 14.2"	400 / 15.7"	440 / 17.3"

\* Maximum fish stocking weight depends on the percentage of body weight fed daily.

- Ornamental fish weight based on feeding rate of 3% of body weight.
- Aquaculture fish weight based on feeding rate of 1% of body weight.

## Dimensions (mm)

Aquabiome	L (mm)	W (mm)	H (mm)
SM400	815	650	886
SM500	815	650	875
SM600	1040	650	925
SM750	1325	830	985
SM900	1328	930	1110



## AQUABIOME MEDIA

Part No.	Product Description	Nominal Size
3532520	Aquabiome media (20kg bag)	20 per kg



# MULTI CYCLONE

## CENTRIFUGAL WATER FILTRATION

### WATERCO MULTICYCLONE FILTER

Part No.	Product Description	Nom. Size
200374	MultiCyclone MC12	1/2" / 50mm
200375	MultiCyclone MC16	2" / 63mm
200372	MultiCyclone Base Standard	
2003730	MultiCyclone Over Pump Stand	

**NB: For pricing and information please see: filters page 18**



PLEASE NOTE: The MultiCyclone is designed to filter sediment that is heavier than water. Floating debris cannot be filtered out by centrifugal filtration.



### WATERCO AQUAMITE PUMPS - Single Phase 220v - 240v, S/S shaft, CE approved

Part No.	Product Description	Q. Max	P. Max
1/2" port supplied with 1/2" imperial & 50mm metric quick connect unions			
Pump Warranty - 3 years wet end, 2 years motor and 1 year mechanical seal			
2402033PNR-M	Aquamite 033	11.3m <sup>3</sup> /hr	0.53kW
2402050PNR-M	Aquamite 050	14.4m <sup>3</sup> /hr	0.58kW
2402075PNR-M	Aquamite 075	16.8m <sup>3</sup> /hr	0.65kW
2402100PNR-M	Aquamite 100	19.8m <sup>3</sup> /hr	0.76kW
2402125PNR-M	Aquamite 125	22.2m <sup>3</sup> /hr	0.88kW

Price and availability for TUV approved models available on request

Silicon carbide seal required for salt water installations, pricing available on request

**NB: For pricing and information please see: Pumps page 54**



### BLOWERS

Part No.	Product Description	Nom. Size
282410	Airflo Blower 900W - CE	900W

#### Compact Design

The compact design of the Waterco spa blower enables installation in smaller areas and tight corners. The convenient position of the mounting base and air inlet/outlets reduces installation time and cost.

#### Thermal Cutout

Waterco spa blowers feature an important safety feature, an integral thermal cutout. This cutout stops the electric motor if it becomes excessively warm, it does not require manual resetting and will automatically restart the motor when it is sufficiently cooled.

#### Specification

Size (mm)	Power (W)	Voltage (V)	Weight	Suction
225 x 280 x 360	900 watt	240AC	3.7kg	2" hpvc

Blower loops required in installation.

- Whisper quiet operation
- Hi-flow air movement
- Compact design
- Variable mounts

# Purification Systems



**WATERCO**  
water, the liquid of life

# Purification Systems - Point Of Use

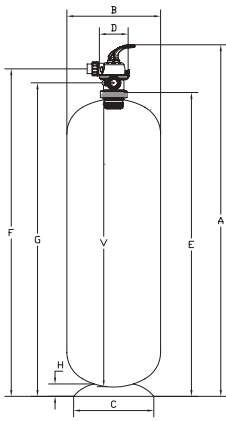
## TOP MOUNT MICRON W SERIES WHOLE OF HOUSE FILTER



Part No.	Product Description
	Backwashable deep bed granular filters c/w 1 1/2" 5 way MPV
22473011	Micron W300 MKII (7 bar)
22473571	Micron W350 (7 bar)
22474071	Micron W400 (7 bar)
22476071	Micron W600 (7 bar)

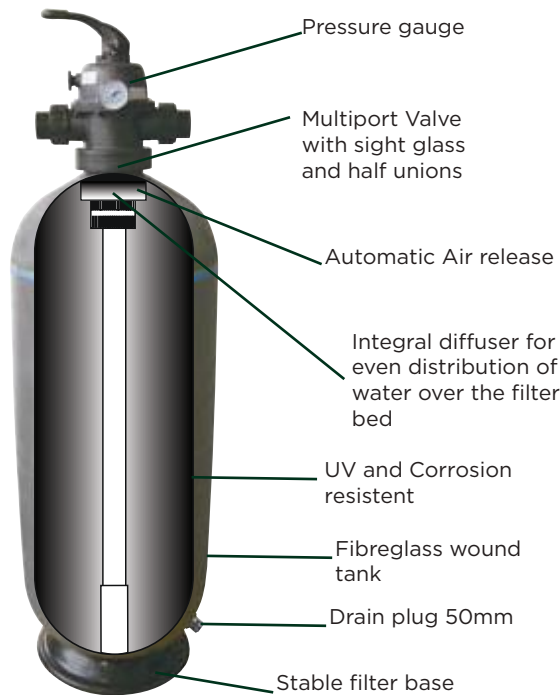
### Specification

Filter Model	Bed Depth (mm)	Filter Area (m <sup>2</sup> )	Valve Size (mm/inch)	Wat. flow 24m <sup>3</sup> /hr/m <sup>2</sup> (m <sup>3</sup> /hr)	Com. flow 36m <sup>3</sup> /hr/m <sup>2</sup> (m <sup>3</sup> /hr)	Sand 16/30 (kg)	Filter Bed (litres)
W300	600	0.07	50/1.5	1.68	2.50	85	58
W350	600	0.10	50/1.5	2.40	3.60	115	79
W400	600	0.13	50/1.5	3.12	4.68	115	79
W600	600	0.28	50/1.5	6.72	10.01	255	175



### Dimensions (mm)

Model	A	B	C	D	E	F	G	H	V
W300	1366	322	346	160	1100	1233	1153	175	955
W350	1397	366	355	160	1130	1262	1183	63	1010
W400	1377	416	355	160	1110	1242	1163	63	995
W600	1402	620	540	160	1135	1267	1188	88	992



### Proven Durability

Waterco Micron filters are known throughout the Industry for their impressive performance and reliability.

Manufactured from the highest grade of non corrosive materials and employing the latest in fibreglass winding technology, Micron filters are built for many years of trouble free operation.

### Technologically Advanced

Micron filters consist of a blow moulded inner shell of fibreglass reinforced polyester resin strengthened with multiple layers of continuous strands of fibreglass filament.

Micron filters are wound with precision by Waterco's digital filament winding machines, for refined consistency and superior quality.

### Easy Maintenance

Cleansing the filter simply requires shifting the Multiport Valve lever from 'filter' to the 'backwash' position, which reverses the flow of water in the filter, flushing out the trapped dirt from the filter bed.

# Purification Systems - Point Of Use



## W Series MKII Automated Deep Bed Filters

Part No.	Product Description
22473002	Micron automated W300 MKII Deep Bed Filter c/w automated valve (time based)
22473012	W300 MKII tank only, suitable for automated valve

## Specification

Model	Valve Size (mm/inch)	Filter Area (m <sup>2</sup> )	Bed Depth (mm)	Max. Flow Rate 36m <sup>3</sup> /hr/m <sup>2</sup> (m <sup>3</sup> /hr)	Max. Working Pressure (bar / psi)	Media Volume (Litres)	Sand 16/30 (kg)
W300 MKII	50/1.5	0.07	600	2.52	6 / 87	51	75

## Dimensions

Model	Inner Diameter (mm)	Overall Width (mm)	Overall Height (mm)
W300 MKII	300	332	1366



## MPV for W & WD filters

Part No.	Product Description	Nom. Size
228026EURO	50mm 5-way MPV	(6 bar)
2280262EURO	50mm BSB collar 5-way MPV for MK II W300	(7 bar)
228053EURO	63mm 6-way MPV	(4 bar)



## W300 MKII Automated Valve & Accessories

Part No.	Product Description
72523000	W Series Automated Valve including weather cover and locking
72523010	W Series Automated Valve almond weather cover
855172	W Series Automated Valve locking

The WSA Valve is designed to direct and regulate all the cycles necessary for the day to day operation of the Micron W300MKII filter.

- User friendly digital display and programming.
- Solid state microprocessor with easy access front panel settings.
- Stores system configuration and operation data in nonvolatile memory.
- Optimum service and backwash rates.
- Modular design with no screws to lose.

Inlet / Outlet	25mm (1")
Minimum / Maximum Operating Pressures	1.38 bar (20 psi) - 8.62 bar (125 psi)
Minimum / Maximum Operating Temperatures	4°C (40° F) - 43° C (110° F)
Current Draw and Voltage	0.5A 220 - 240 v



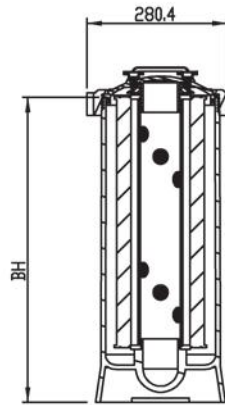
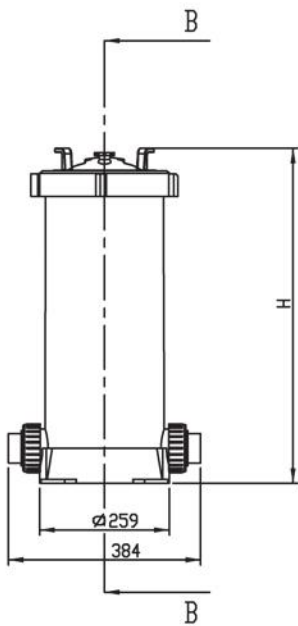
# Purification Systems - Point Of Use



## COMMANDOMATIC TCF HOUSING 6 bar

Part No.	Product Description
Polypropylene housing for cartridge and/or granular filtration purposes. Filter supplied with both 1/2" imperial & 50mm metric quick connect unions.	
2150253EU	C25 TCF (empty)
2150503EU	C50 TCF (empty)
2150753EU	C75 TCF (empty)

TCF Compact filter is a compact and economical cartridge filter built with an easy-to-use locking system for simple cartridge removal and replacement.



### Dimensions

Model	Overall Height (H) (mm)	Body Height (BH) (mm)
C25	432	372
C50	668	608
C75	921	861



## Commandomatic TCF Cartridges

Part No.	Product Description
Pleated Polyester Filter Cartridges	
620401	C25 1 micron cartridge
62041	C50 5 micron Cartridge
62043	C75 5 micron Cartridge
620411	C50 10 micron Cartridge
620431	C75 10 micron Cartridge
6204220	C50 20 micron Cartridge
6204420	C75 20 micron Cartridge
62040	C25 30 micron cartridge
62042	C50 30 micron Cartridge
62044	C75 30 micron Cartridge

The pleated filter cartridge is constructed from heavy duty, easy-to-clean polyester fabric. The cartridge's pleats allow for more surface area and a lower pressure loss compared to depth type filter cartridges

### Specification

Model	Max. Flow Rate	Cartridge Micron Ratings	Maximum Pressure Drop	Surface Area	Cartridge Length	Cartridge Diameter
C25	5.7m <sup>3</sup> /hr	5, 10, 20, 30	0.2 Bar / 2.9 psi	2.3m <sup>2</sup> (25ft <sup>2</sup> )	240mm	185mm
C50	11.40m <sup>3</sup> /hr	5, 10, 20, 30	0.2 Bar / 2.9 psi	4.6 m <sup>2</sup> (50 ft <sup>2</sup> )	490mm	185mm
C75	16.50m <sup>3</sup> /hr	5, 10, 20, 30	0.2 Bar / 2.9 psi	6.9 m <sup>2</sup> (75 ft <sup>2</sup> )	740mm	185mm

# Purification Systems - Point Of Use

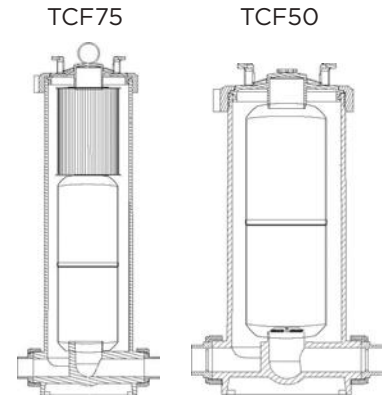
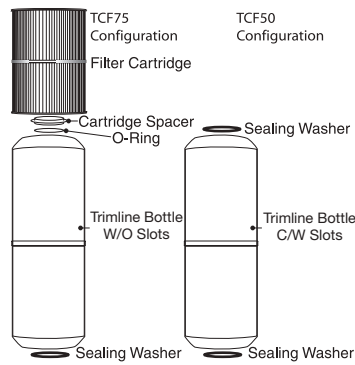


## TCF GRANULAR MEDIA CARTRIDGE COMPONENTS

Part No.	Product Description
3651922	Trimline Bottle (c/w slots) 12 litre capacity
3651923	Trimline Bottle (w/o slots) 12 litre capacity
644771	TCF sealing washer
W02046	TCF cartridge spacer
6340116	TCF cartridge spacer o-ring

## TCF Granular Media Pre-Filter Cartridges

620401	C25 1 Micron Cartridge
62031	C25 5 micron Cartridge
620311	C25 10 micron Cartridge
6204020	C25 20 micron Cartridge
62040	C25 30 micron Cartridge



## Pleated Filter Cartridges

The Pleated Filter Cartridges are fabricated from pleated reusable polyester fabric. The media has been pleated to provide 2.3 to 6.9 square metres of surface area in order to maximise the cartridge dirt holding capacity and extend the time between cleaning.

- Material : Polyester fabric material,  
Vinyl Plastisol end caps,  
Polypropylene core
- Operating Temperature : 4°C to 50°C
- Maximum Pressure Drop: 0.2 bar / 2.9 psi



## Granular Media Cartridges

The granular media cartridges are able to house 12 litres of filter media and are designed to allow water to enter via the top of the cartridge and flow through the full height of the filter bed before exiting at the bottom of the cartridge.

# Purification Systems - Point Of Use



TBF housings are constructed from high impact polypropylene to be compatible with a wide range of fluids, and its ergonomic screw down lid is designed for simple hand operation allowing for a quick filter changeover.

- Ideal as a coarse pre-filter / leaf trapper
- Disposable filter bags
- One piece mould construction
- Able to withstand up to 6 bar / 600kPa / 87 psi

## COMMANDOMATIC TBF HOUSING 6 bar

Part No.	Product Description
	Polypropylene Housing for Bag Filtration
3761050EU	C50 TBF Housing
37610750EU	C75 TBF Housing



Model	Max. Flow Rate	Required Clearance for Servicing	Max. Pressure	Max. Temperature
C50	11.4 m <sup>3</sup> /hr	530mm / 20.9"	6 bar	40 °C / 100 °F
C75	16.2 m <sup>3</sup> /hr	770mm / 30.3"	6 bar	40 °C / 100 °F

Model	A	B	C	D	E	F	G
C50	710mm	665mm	620mm	71mm	263mm	278.5mm	402mm
C75	960mm	915mm	870mm	71mm	263mm	278.5mm	402mm

## TBF POLYPROPYLENE FILTER BAGS

Part No.	Product Description
	For C50
3651931	1 Micron Filter Bag
3651924	5 Micron Filter Bag
3651925	25 Micron Filter Bag
3651926	50 Micron Filter Bag
36519265	800 Micron Filter Bag
	For C75
36519310	1 Micron Filter Bag
36519240	5 Micron Filter Bag
36519250	25 Micron Filter Bag
36519260	50 Micron Filter Bag
36519266	800 Micron Filter Bag



Filter Bag Specifications	C50	C75
Material	Polyester*	Polyester*
Specific Gravity	0.91	0.91
Abrasion & Flex	Very Good	Very Good
Weak Acids	Excellent	Excellent
Strong Acids	Excellent	Excellent
Weak Alkali	Excellent	Excellent
Strong Alkali	Excellent	Excellent
Solvents	Fair	Fair

Filter Bag Dimensions	C50	C75
Surface Area	0.17m <sup>2</sup> / 1.85ft <sup>2</sup>	0.27m <sup>2</sup> / 2.9ft <sup>2</sup>
Diameter	178mm / 7"	178mm / 7"
Length	419mm / 16.5"	660mm / 26"

# Warranty Terms & Conditions

[Important note: The benefits under this warranty are in addition to other legal rights and remedies you may have in relation to Waterco products]

## PLEASE READ

1. These terms and conditions carefully, as failure to comply may affect your legal rights under this warranty; and
2. Any operating instructions carefully before commencing use of any product manufactured by Waterco (Europe) Limited ("Waterco"). Waterco manufactures quality pool and spa products to the highest standards using the most advanced technology and production procedures available.

## WARRANTY COVER

If a defect occurs in any Waterco product during the warranty period, Waterco will at its discretion, repair the product or replace and install the defective part, free of charge provided that the defect results solely from poor workmanship or materials and subject to these terms and conditions.

Labour is covered by this warranty for a period of 12 months from the date of purchase or installation, at the discretion of Waterco and within a 50km/30 mile radius of an authorized Waterco Service Agent. All warranty work must be carried out by an authorised warranty agent and pre-approved before work is carried out.

The purchaser is responsible for any freight incurred.

Warranties are valid only within the original country of purchase.

## WARRANTY PERIOD

All products sold by Waterco are covered by a one year warranty. The exceptions to this are the products listed in the schedule (which also specifies relevant warranty periods). All warranty periods commence on the date of purchase, or installation at Waterco's discretion.

The provisions of this warranty are not transferable and are in addition to and not in modification of or subtraction from any applicable statutory warranties, rights or remedies.

## CONDITIONS OF WARRANTY

This warranty only applies where:

1. The products requiring installation have been sold with installation included and have been installed by a licenced plumber, electrician or person who has completed an accredited course in swimming pool care and maintenance or a person with more than 12 months on the job learning or a person supervised by one of these people, in accordance with any written installation instructions provided.
2. The products have been operated in accordance with written instructions supplied by Waterco;
3. The purchaser is able to provide proof of purchase that specifies the date of purchase;
4. The product has been serviced or maintained regularly.
5. Any pump using an electric motor has:
  - Been adequately ventilated to avoid over heating;
  - Not been run on an electrical extension cord; and
  - Been installed in an area that is free from flooding or excessive outside contact with water;
6. Any pump has not been allowed to run dry (as this causes excessive damage to both the pump and motor);
7. Any pool and spa equipment has been used in water:
  - a. With a temperature not exceeding 40 degrees Celsius; Note: Pumps domestic and commercial should not exceed 35 degrees Celsius.
  - b. With a pH range maintained between 7.2 – 7.6;
  - c. That has been chemically balanced in accordance with the Langelier saturation index within a range of -0.2 to +0.2 to ensure that it is not corrosive or scale forming;
  - d. That is not salt water (other than mild saline water conditions which are compatible with swimming pool salt water chlorination systems) – unless otherwise stated by Waterco in both the respective product labels and brochures that it is suitable for seawater applications; and
  - e. That has been regularly treated with a sanitizing system using bromine, chlorine, hydrogen peroxide in one of its compound forms, or generated in-situ, in concentrations (doses) recommended by the relative state or country health departments.
8. Pressure gauges have not been exposed to frosting and freezing conditions and due care has been exercised when attaching them to any Waterco products;

## Warranty Terms & Conditions

9. Electrical equipment has been adequately protected from salt air environments and from salt water; and
10. Any pump used on a filter does not have a shut-off head that exceeds the pressure rating of the filter installed.

All repairs and replacements shall be carried out by Waterco or its authorized service dealer, unless otherwise authorized in writing by Waterco.

If an authorized service dealer is not available within 50km/ 30 miles of the purchaser's area:

- The purchaser must contact the place of purchase or Waterco for further instructions and;
- The purchaser is responsible for any freight or infield labour costs.

### EXCLUSIONS

This warranty does not cover, and Waterco will not be responsible for, any defect or damage caused or contributed to by:

- (a) installation or use of the product other than in accordance with Waterco's written instructions, any statutory requirements and these terms and conditions;
- (b) use of the product for a purpose other than for which it was designed or sold;
- (c) abuse, misuse, corrosion, internal and external, or normal wear and tear;
- (d) any repairs or modifications whatsoever carried out by any person, other than a Waterco authorized service dealer;
- (e) exposure to water not caused by a defect in the product; and
- (f) transit of the product over which Waterco has no control.
- (g) inadequate ventilation
- (h) cement, pebbles, render or other pool surface finishes blocking the pump's impeller
- (i) insect and/or vermin infestation

Some three phase pumps are not supplied with thermal overload protection. It is the purchaser's responsibility to have this provision installed by appropriately licensed electricians prior to the initial installation of the pump. All electrical work must comply with any appropriate statutory requirements. Warranty for installation of thermal overload protection is the sole responsibility of the licensed electrical contractor and not Waterco.

### LIMITATIONS OF LIABILITY

To the extent permitted by law Waterco excludes all liability it may have to the purchaser for indirect, special or consequential loss arising from or related to any defect in any Waterco product, or any act or omission of Waterco, including, but not limited to, loss of business, loss of profit, loss of revenue, lost opportunity, inconvenience, and damage to any property other than the Waterco product.

To the extent permitted by law, Waterco excludes all other conditions, guarantees, liabilities or representations that are not expressly set out in this agreement. These terms and conditions do not attempt to exclude, restrict or modify any applicable statutory rights, or any exercise of any statutory rights, or any liability imposed on Waterco by any law if to do so would contravene that law or make any part of these terms and conditions void.

To the extent permitted by law, Waterco excludes all conditions and warranties implied into these terms and conditions and limits its liability for breach of any such condition or warranty that it cannot exclude to the greater of (at Waterco's option);

(a) for goods:

- Repairing or replacing those goods; or
- Paying the cost of having those goods repaired or replaced; and

(b) for services:

- Resupplying the services; or
- Paying the cost of having those services resupplied.

### TEST YOUR WATER REGULARLY

The chemical balance of the water is a relationship between total alkalinity, pH, Calcium hardness and temperature. Waterco recommends that you have your water tested regularly (once a month) by your local pool professional. A record of testing should always be kept for reference.

Some jurisdictions do not allow the exclusion or limitation of incidental or consequential damages, so any such limitation may not apply. This warranty gives specific legal rights. The purchaser may have other rights depending on the jurisdiction in which the Waterco product was purchased or the purchaser is located.



# Warranty Terms & Conditions

## SCHEDULE OF WARRANTY PERIODS

All products sold by Waterco are covered by a one year warranty with the exception of the products listed below.

### Domestic Applications:

PRODUCT	FULL WARRANTY	PRO-RATA WARRANTY
<b>PUMPS</b>		
Conditions:		
• Wet End	3 years	
• Motor, Hair & Lint Pot Lid, O'Ring, Basket, Impeller & Diffuser	2 years	
• Mechanical* Seal & Capacitor	1 year	
*Except: Silicon Carbide (sea water) seal	6 months	
<b>FILTER</b>		
• Thermoplastic filter tank	5 years	5 years (See column A)
• Micron Filament Wound / Exotuf filter tank	10 years	
• Cartridge / Bag filter tank	5 years	5 years (See column A)
• DE filter tank	3 years	2 years (See column B)
• MultiCyclone / Plus / Ultra / XL	2 years	
• Lacron filter tank	5 years	5 years
• W250 / W300 filters	5 years (residential)	
• Other W / WD series filters	2 years (residential)	
• All W / WD series filters	2 years (commercial)	
• Aquabiome Bead Filters	10 years	
*Except: All internal parts including fittings, valves, gauges, cartridge elements, DE grids	1 year	
All multiport valves used on sand (granular) or DE filters	2 years	
<b>SALT CHLORINATORS</b>		
• Hydrochlor Chlorinator Cell	3 years	
• Hydrochlor Chlorinator Power Pack	3 years	
• Hydrochlor Chlorinator cell & power pack for commercial applications	1 year	
<b>HEAT PUMPS</b>	Heat exchanger 25 years Compressor 3 years All other components 2 year	
<b>BRITESTREAM LED</b>	2 years	
<b>MAINTENANCE EQUIPMENT</b>		
• Aquafinger*	2 years	
* Except: Replacement Cover		
• Pro Pool Care	2 years	

## Warranty Terms & Conditions

### Commercial applications

All products installed in a commercial application are covered by a one year warranty except commercial filament wound tanks and commercial pumps.

PRODUCT	WARRANTY	PRO-RATA
PUMPS		
• Wet Ends	2 years	
• Hair & lint pot lid, 'o' ring, basket, impellor & diffuser	2 years	
• Motor mechanical seal & capacitor	1 year	
• Filters		
• Commercial filament wound tanks	5 years	5 years
* Except; All internal parts including fittings, valves, gauges & media	1 year	

### How Our Pro-Rata Warranty Operates:

If a purchaser makes a claim under this Warranty during any pro-rata Warranty Period, Waterco will, at its discretion, replace any defective product, material or part, provided that the purchase contributes to a percentage of Waterco's list price. The purchaser is responsible for any labour and freight costs. The following table sets out the percentage payable by the purchaser for any products, materials and parts in the relevant warranty year (where year 1 is the first year after purchase):

YEAR	A	B
	5 years full warranty +5 years pro rata warranty	3 years full warranty +2 years pro rata warranty
1	0	0
2	0	0
3	0	0
4	0	60%
5	0	80%
6	50%	N/A
7	60%	N/A
8	70%	N/A
9	80%	N/A
10	90%	N/A

### SUMMARY OF WARRANTY LIMITATIONS

The provisions of this warranty are not transferable from the original purchaser and are in addition to and not in modification of or subtraction from any applicable statutory warranties, rights or remedies.

Labour is covered by this warranty for a period of 12 months from the date of purchase or installation, within a 50km / 30 miles radius of an authorized Waterco Service Agent.

Spare parts used in the repair of products are covered by a 12 month warranty and are not covered by the original warranty from date of purchase or installation.

The purchaser is responsible for any freight incurred.



The Waterco (Europe) Limited Terms & Conditions of Sale are correct at the time of print. These terms & conditions can be updated at any time and are available to download from our Waterco (Europe) Limited Website; [www.waterco.eu](http://www.waterco.eu) or by scanning the QR code.